

In Box Items

Wireless Charger*1
USB cable*1
Holder*1
User guide*1

Product Specification

Input: 5V/2A
Output: 5V/1A
Charging distance: ≤8mm
Charging efficiency: ≥76%
Dimensions: 104mmx76mmx50mm
Coil: single coil

Notes

- 1.Keep the charging pad and receiver away from water or any liquid.
- 2.Cut off input power source during cleaning pad.
- 3.Working temperature 0-45 ℃.

Warranty

- 1.One year warranty service from the date you buy it. We provide the free service or product exchange within the warranty period with any quality problem of product itself.
- 2.When the product cannot be repaired during the warranty period, you can get a new one replaced the same type of product you purchased from us.
- 3.If other reasons such as strong impact, fire, water, and so on, lead the product failing to use, or after warranty period, we will charge the repair fee when the product might be repaired and used again.



FCC Warning

This equipment has been tested and found to comply with the limits for a Class B digital device, pursuant to part 15 of the FCC Rules. These limits are designed to provide reasonable protection against harmful interference in a residential installation. This equipment generates, uses and can radiate radio frequency energy and, if not installed and used in accordance with the instructions, may cause harmful interference to radio communications. However, there is no guarantee that interference will not occur in a particular installation. If this equipment does cause harmful interference to radio or television reception, which can be determined by turning the equipment off and on, the user is encouraged to try to correct the interference by one or more of the following measures:

- Reorient or relocate the receiving antenna.
- Increase the separation between the equipment and receiver.
- Connect the equipment into an outlet on a circuit different from that to which the receiver is connected.
- Consult the dealer or an experienced radio/TV technician for help.

Caution: Any changes or modifications to this device not explicitly approved by manufacturer could void your authority to operate this equipment.

This device complies with part 15 of the FCC Rules. Operation is subject to the following two conditions: (1) This device may not cause harmful interference, and (2) this device must accept any interference received, including interference that may cause undesired operation.

The device has been evaluated to meet general RF exposure requirement. The device can be used in portable exposure condition without restriction.



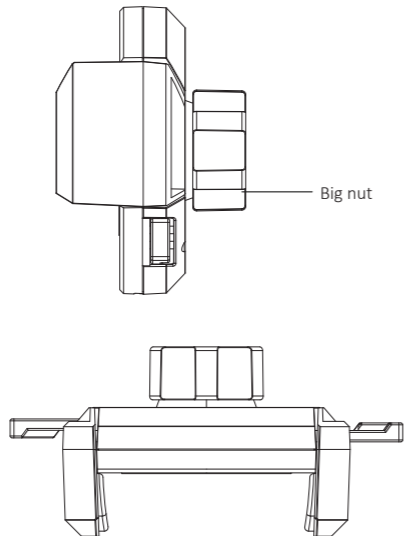
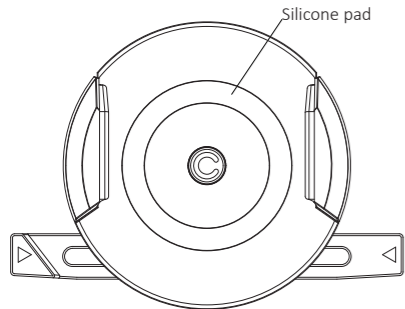
Car Mount Wireless Charger

CP510 USER GUIDE

Product Introduction

This is a smart wireless charging product, supporting 5W standard power charging. It's designed for car and perfectly compatible with any Qi standard devices. No constraint, free and safe power charging experience.

Product Outline

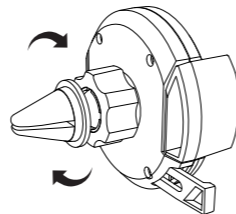


Applicable Device

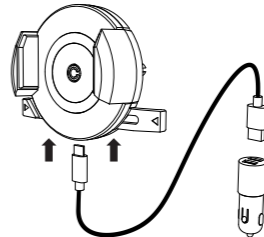
- 1.Devices with built-in wireless charging receiver module (Samsung S8, Iphone 8/8 Plus, Iphone X etc).
- 2.Devices with reserved wireless charging input port (Galaxy S5, Galaxy Note4 etc).
- 3.Wireless charging mod or case with receiver module (iPhone5, iPhone 6/6 Plus etc).
(Note: Receivers must meet WPC standard)

Instructions

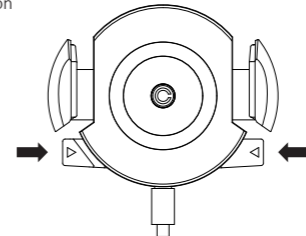
- 1.Put the holder into Auto-mobile Air Vent, Wireless charger can change the rotation angle freely.



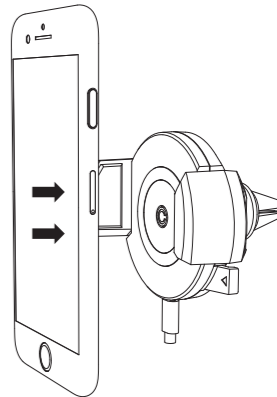
- 2.Use USB cable to connect wireless charger with car charger; Put the car charger into the car cigarette mouth.



- 3.Open the clips on wireless charger



- 4.Make the phone touch wireless charger center button, the clips clamp the phone, then start charging immediately.



FCC Caution:

This device complies with part 15 of the FCC Rules. Operation is subject to the following two conditions: (1) This device may not cause harmful interference, and (2) this device must accept any interference received, including interference that may cause undesired operation.

Any Changes or modifications not expressly approved by the party responsible for compliance could void the user's authority to operate the equipment.

Note: This equipment has been tested and found to comply with the limits for a Class B digital device, pursuant to part 15 of the FCC Rules. These limits are designed to provide reasonable protection against harmful interference in a residential installation. This equipment generates uses and can radiate radio frequency energy and, if not installed and used in accordance with the instructions, may cause harmful interference to radio communications. However, there is no guarantee that interference will not occur in a particular installation. If this equipment does cause harmful interference to radio or television reception, which can be determined by turning the equipment off and on, the user is encouraged to try to correct the interference by one or more of the following measures:

- Reorient or relocate the receiving antenna.
- Increase the separation between the equipment and receiver.
- Connect the equipment into an outlet on a circuit different from that to which the receiver is connected.
- Consult the dealer or an experienced radio/TV technician for help.