



# FCC TEST REPORT

## FCC ID: 2AEQP-CP510

Product Name:	<b>wireless charger</b>
Trademark:	<b>N/A</b>
Model Number:	CP510
Prepared For :	<b>Shenzhen Canpow Technology Co., Ltd</b>
Address :	Building B, No.339 Bulong Road, Longgang Dist, Shenzhen, China
Prepared By :	<b>Shenzhen BCTC Testing Co., Ltd.</b>
Address :	BCTC Building & 1-2F, East of B Building, Pengzhou Industrial, Fuyuan 1st Road, Qiaotou Community, Fuyong Street, Bao'an District, Shenzhen, China
Test Date:	<b>Mar. 16 - Mar. 23, 2018</b>
Date of Report :	<b>Mar. 23, 2018</b>
Report No.:	<b>BCTC-LH180400794E</b>



## TABLE OF CONTENTS

<b>TEST REPORT DECLARATION .....</b>	<b>3</b>
<b>1.GENERAL INFORMATION .....</b>	<b>4</b>
1.1. Report information.....	4
1.2. Measurement Uncertainty .....	4
1.3. Test Facility.....	4
1.4. Test Uncertainty.....	4
<b>2.PRODUCT DESCRIPTION .....</b>	<b>5</b>
2.1. EUT Description.....	5
2.2. Block Diagram of EUT Configuration.....	5
2.3. Test Conditions .....	5
2.4. Description Of Support Units (Conducted Mode) .....	6
<b>3.TEST RESULTS SUMMARY .....</b>	<b>6</b>
<b>4.TEST EQUIPMENT USED.....</b>	<b>7</b>
4.1. For Conducted Emission Test .....	7
4.2. For Radiated Emission Measurement.....	7
<b>5.CONDUCTED EMISSION TEST.....</b>	<b>8</b>
5.1. Block Diagram of Test Setup .....	8
5.2. Test Standard.....	8
5.3. Conducted Emission Limit.....	8
5.4. EUT Configuration on Test.....	8
5.5. Operating Condition of EUT.....	9
5.6. Test Procedure.....	9
5.7. Test Result.....	9
<b>6.RADIATED EMISSION MEASUREMENT .....</b>	<b>12</b>
6.1. Block Diagram of Test Setup .....	12
6.2. Test Standard.....	13
6.3. EMI Test Receiver Setup .....	13
6.4. Test Procedure.....	13
6.5. Test Result.....	14
<b>7.EUT TEST PHOTOS.....</b>	<b>18</b>
<b>8.EUT PHOTOS .....</b>	<b>20</b>



## TEST REPORT DECLARATION

Applicant : Shenzhen Canpow Technology Co., Ltd  
Address : Building B, No.339 Bulong Road, Longgang Dist, Shenzhen, China  
EUT Description : **wireless charger**  
Model Number : **CP510**  
Serial Model : N/A

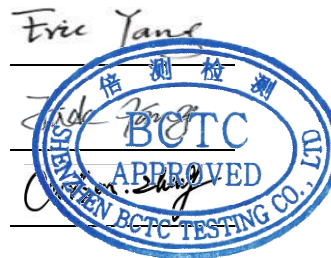
Test Standards:

**FCC Part 15 C: 2015**

This device described above has been tested by BCTC, and the test results show that the equipment under And it is applicable only to the tested sample identified in the report.

This report shall not be reproduced except in full, without the written approval of BCTC, this document may be altered or revised by BCTC, personal only, and shall be noted in the revision of the document.

Prepared by(Engineer): Eric Yang  
Reviewer(Supervisor): Jade Yang  
Approved(Manager): Carson Zhang





## 1. GENERAL INFORMATION

### 1.1. Report information

- 1.1.1. This report is not a certificate of quality; it only applies to the sample of the specific product/equipment given at the time of its testing. The results are not used to indicate or imply that they are application to the similar items. In addition, such results must not be used to indicate or imply that BCTC approves recommends or endorses the manufacture, supplier or use of such product/equipment, or that BCTC in any way guarantees the later performance of the product/equipment.
- 1.1.2. The sample/s mentioned in this report is/are supplied by Applicant, BCTC therefore assumes no responsibility for the accuracy of information on the brand name, model number, origin of manufacture or any information supplied.
- 1.1.3. Additional copies of the report are available to the Applicant at an additional fee. No third part can obtain a copy of this report through BCTC, unless the applicant has authorized BCTC in writing to do so.

### 1.2. Measurement Uncertainty

Available upon request.

### 1.3. Test Facility

Site Description  
Name of Firm : Shenzhen BCTC Testing Co., Ltd.

Site Location : BCTC Building & 1-2F, East of B Building,  
Pengzhou Industrial, Fuyuan 1st Road, Qiaotou  
Community, Fuyong Street, Bao'an District,  
Shenzhen, China

### 1.4. Test Uncertainty

Conducted Emission Uncertainty =  $\pm 2.66$ dB  
Radiated Emission Uncertainty =  $\pm 4.15$ dB



## 2. PRODUCT DESCRIPTION

### 2.1.EUT Description

Description : **wireless charger**

Applicant : **Shenzhen Canpow Technology Co., Ltd**  
Building B,No.339 Bulong Road,Longgang Dist, Shenzhen, China

Manufacturer : **Shenzhen Canpow Technology Co., Ltd**  
Building B,No.339 Bulong Road,Longgang Dist, Shenzhen, China

Model Number : CP510

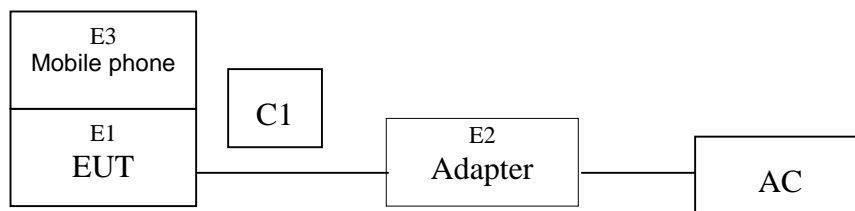
Serial Model : N/A

Model Difference : N/A

Power Supply Input: 5V2A  
Output: 5V1A

Work Frequency : 110-205KHz

### 2.2.Block Diagram of EUT Configuration



### 2.3.Test Conditions

Temperature: 23~25°C

Relative Humidity: 55~63 %



## 2.4. Description Of Support Units (Conducted Mode)

The EUT has been tested as an independent unit together with other necessary accessories or support units. The following support units or accessories were used to form a representative test configuration during the tests.

Item	Equipment	Mfr/Brand	Model/Type No.	Series No.	Note
E1	<b>wireless charger</b>	N/A	CP510	N/A	EUT
E2	<b>Adapter</b>	N/A	BCTC-001	N/A	AC100-240V~50/60Hz Output: 9V--- 3A
E3	<b>Mobile phone</b>	N/A	Redmi Note 4X	N/A	

Item	Shielded Type	Ferrite Core	Length	Note
C1	NO	NO	0.8M	USB cable unshielded

Note:

- (1) The support equipment was authorized by Declaration of Confirmation.
- (2) For detachable type I/O cable should be specified the length in cm in 『Length』 column.
- (3) “YES” is means “shielded” “with core”; “NO” is means “unshielded” “without core”.

## 3. TEST RESULTS SUMMARY

**Table 1 Test Results Summary**

Test Items	Test Results
Conducted disturbance	Pass
Radiated disturbance	Pass

Remark: “N/A” means “Not applicable.”



## 4. TEST EQUIPMENT USED

### 4.1. For Conducted Emission Test

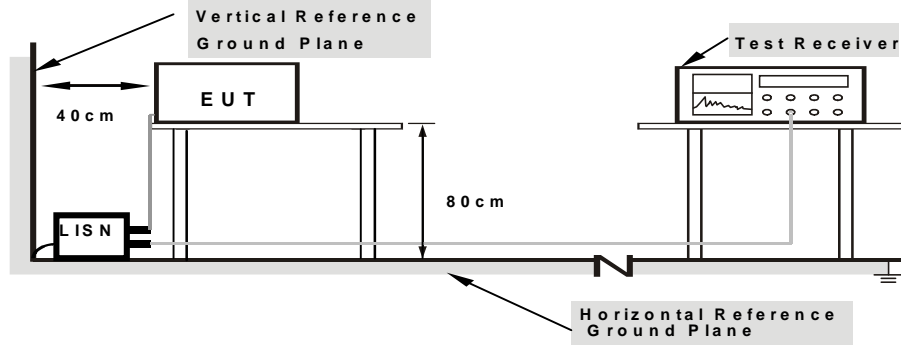
Item	Equipment	Manufacturer	Type No.	Serial No.	Last calibration	Calibrated until
1	Test Receiver	R&S	ESCI	1166.5950K03-1 01165-ha	2017.08.27	2018.08.26
2	LISN	SCHWARZBECK	NSLK8127	8127739	2017.08.27	2018.08.26
3	LISN	R&S	NSLK8126	8126487	2017.08.27	2018.08.26
4	RF cables	R&S	R204	R20X	2017.08.27	2018.08.26
5	Attenuator	R&S	ESH3-Z2	143206	2017.08.27	2018.08.26

### 4.2. For Radiated Emission Measurement

Item	Equipment	Manufacturer	Type No.	Serial No.	Last calibration	Calibrated until
5	Horn Antenna (14GHz-40GHz)	SCHWARZBECK	BBHA 9170	9170-181	2017.09.03	2018.09.02
6	Amplifier (9kHz-6GHz)	SCHWARZBECK	BBV9744	9744-0037	2017.08.27	2018.08.26
7	Amplifier (1GHz-18GHz)	SCHWARZBECK	BBV9718	9718-309	2017.08.27	2018.08.26
8	Amplifier (18GHz-40GHz)	SCHWARZBECK	BBV 9721	9721-205	2017.08.27	2018.08.26
9	Loop Antenna (9kHz-30MHz)	SCHWARZBECK	FMZB1519B	00014	2017.09.03	2018.09.02
10	RF cables1 (9kHz-1GHz)	R&S	R203	R20X	2017.08.27	2018.08.26
11	RF cables2 (1GHz-40GHz)	R&S	R204	R21X	2017.08.27	2018.08.26
12	Antenna connector	Florida RF Labs	N/A	RF 01#	2017.08.27	2018.08.26
13	Power Metter	ANRITSU	ML2487A	6K00001568	2017.08.27	2018.08.26
14	Power Sensor (AV)	ANRITSU	ML2491A	030989	2017.08.27	2018.08.26
15	Signal Analyzer 9kHz-26.5GHz	Agilent	N9010A	MY48030494	2017.08.27	2018.08.26
16	Test Receiver 20kHz-40GHz	R&S	ESU 40	100376	2017.08.27	2018.08.26
17	D.C. Power Supply	LongWei	PS-305D	010964729	2017.08.27	2018.08.26

## 5. CONDUCTED EMISSION TEST

### 5.1. Block Diagram of Test Setup



Note: 1. Support units were connected to second LISN.  
 2. Both of LISNs (AMN) are 80 cm from EUT and at least 80 cm from other units and other metal planes

The setup of EUT is according with per ANSI C63.10-2013 measurement procedure. The specification used was with the FCC Part 15.207 limits.

(EUT: **wireless charger**)

### 5.2. Test Standard

FCC§15.207

### 5.3. Conducted Emission Limit

Frequency MHz	Limits dB(μV)	
	Quasi-peak Level	Average Level
0.15 ~ 0.50	66 ~ 56*	56 ~ 46*
0.50 ~ 5.00	56	46
5.00 ~ 30.00	60	50

Notes: 1. \*Decreasing linearly with logarithm of frequency.

### 5.4. EUT Configuration on Test

The following equipments are installed on conducted emission test to meet FCC Part 15.207 requirement and operating in a manner, which tends to maximize its emission characteristics in a normal application.





#### 5.4.1.milestone dual

Model Number: **CP510**

### 5.5.Operating Condition of EUT

5.5.1.Setup the EUT and simulators as shown in Section 5.1.

5.5.2.Turn on the power of all equipments.

5.5.3.Let the EUT work in test modes (EUT Working) and test it.

### 5.6.Test Procedure

The EUT is put on a table of non-conducting material that is 80cm high. The vertical conducting wall of shielding is located 40cm to the rear of the EUT. The power line of the EUT is connected to the AC mains through a Artificial Mains Network (A.M.N.). A EMI test receiver (R&S Test Receiver ESHS30) is used to test the emissions form both sides of AC line. The bandwidth of EMI test receiver is set at 9kHz.

The bandwidth of the test receiver (R&S Test Receiver ESHS30) is set at 10KHz.

We pretest AC 120V and AC 240V, the worst voltage was AC 120V and the data recording in the report.

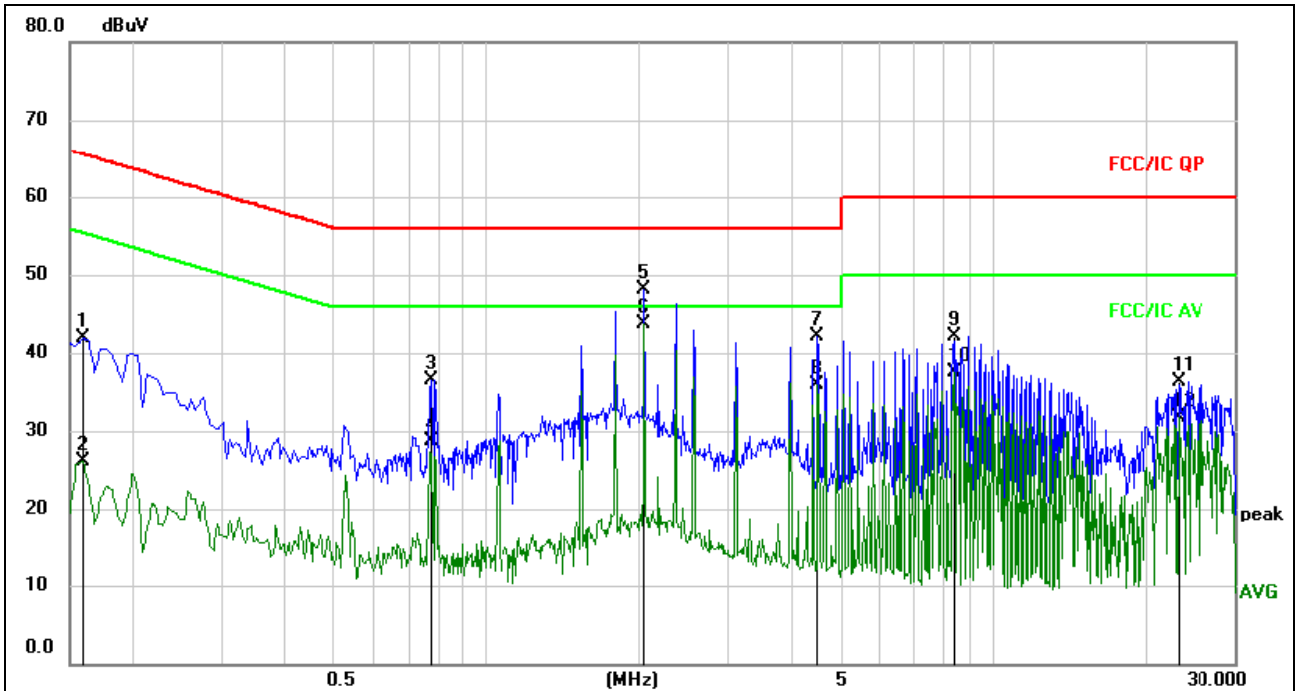
### 5.7.Test Result

**PASS**

Please refer to the following pages.



EUT:	wireless charger	Model Name :	CP510
Temperature:	26 °C	Relative Humidity:	54%
Pressure:	1010hPa	Phase :	L
<b>Test Voltage :</b>	AC 120V/60Hz	Test Mode:	Normal Link



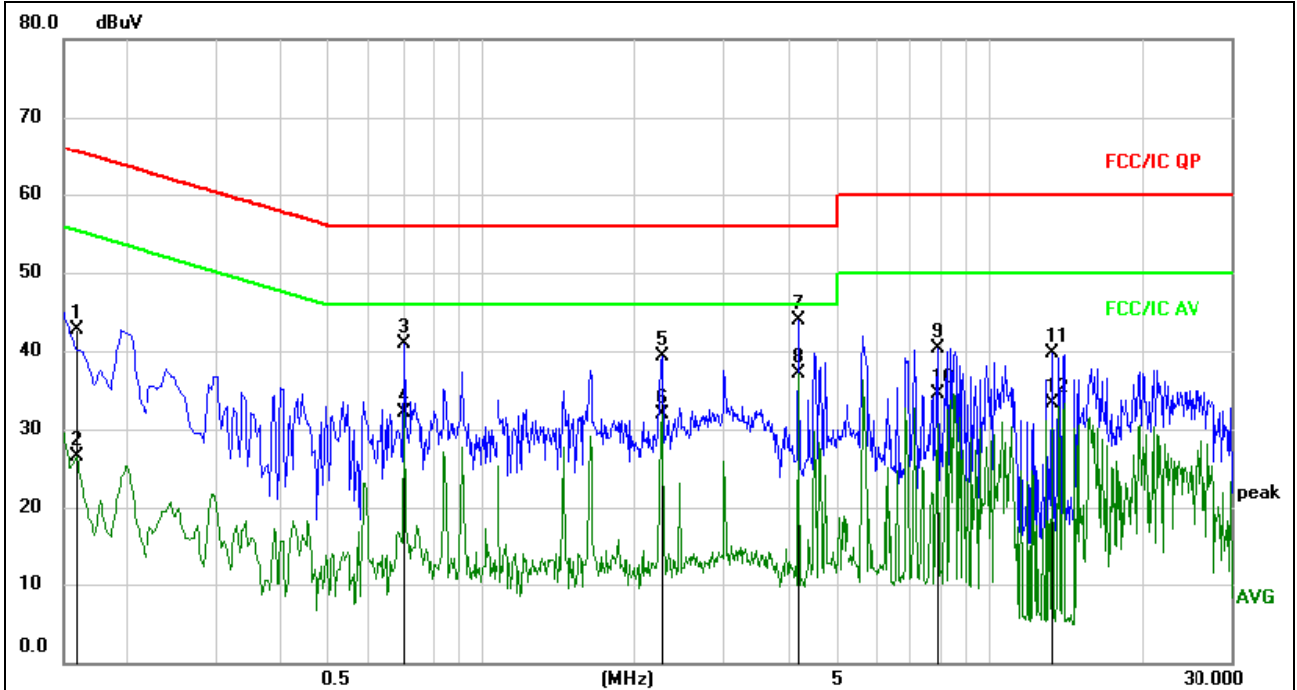
Remark:

1. All readings are Quasi-Peak and Average values.
2. Factor = Insertion Loss + Cable Loss.

No.	Mk.	Freq. MHz	Reading Level dBuV	Correct Factor dB	Measure- ment dBuV	Limit dBuV	Over dB	Detector	Comment
1		0.1590	32.29	9.67	41.96	65.52	-23.56	QP	
2		0.1590	16.46	9.67	26.13	55.52	-29.39	AVG	
3		0.7755	26.84	9.68	36.52	56.00	-19.48	QP	
4		0.7755	18.95	9.68	28.63	46.00	-17.37	AVG	
5		2.0490	38.43	9.71	48.14	56.00	-7.86	QP	
6	*	2.0490	33.97	9.71	43.68	46.00	-2.32	AVG	
7		4.4970	32.37	9.73	42.10	56.00	-13.90	QP	
8		4.4970	26.24	9.73	35.97	46.00	-10.03	AVG	
9		8.3715	32.20	9.81	42.01	60.00	-17.99	QP	
10		8.3715	27.63	9.81	37.44	50.00	-12.56	AVG	
11		23.1810	26.45	9.86	36.31	60.00	-23.69	QP	
12		23.1810	21.82	9.86	31.68	50.00	-18.32	AVG	



EUT:	wireless charger	Model Name. :	CP510
Temperature:	26 °C	Relative Humidity:	54%
Pressure:	1010hPa	Phase :	N
<b>Test Voltage :</b>	AC 120V/60Hz	Test Mode:	Normal Link



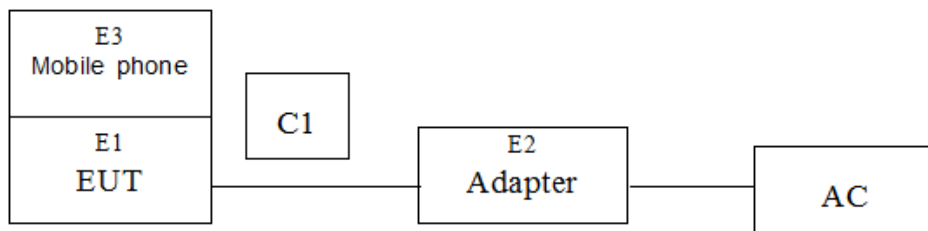
Remark:  
 1. All readings are Quasi-Peak and Average values.  
 2. Factor = Insertion Loss + Cable Loss.

	MHz	dBuV	dB	dBuV	dBuV	dB	Detector
1	0.1590	32.96	9.67	42.63	65.52	-22.89	QP
2	0.1590	16.76	9.67	26.43	55.52	-29.09	AVG
3	0.7035	31.32	9.68	41.00	56.00	-15.00	QP
4	0.7035	22.37	9.68	32.05	46.00	-13.95	AVG
5	2.2650	29.61	9.72	39.33	56.00	-16.67	QP
6	2.2650	22.19	9.72	31.91	46.00	-14.09	AVG
7	4.1955	34.15	9.73	43.88	56.00	-12.12	QP
8 *	4.1955	27.28	9.73	37.01	46.00	-8.99	AVG
9	7.8945	30.48	9.81	40.29	60.00	-19.71	QP
10	7.8945	24.76	9.81	34.57	50.00	-15.43	AVG
11	13.2810	29.78	9.84	39.62	60.00	-20.38	QP
12	13.2810	23.46	9.84	33.30	50.00	-16.70	AVG

## 6. RADIATED EMISSION MEASUREMENT

### 6.1. Block Diagram of Test Setup

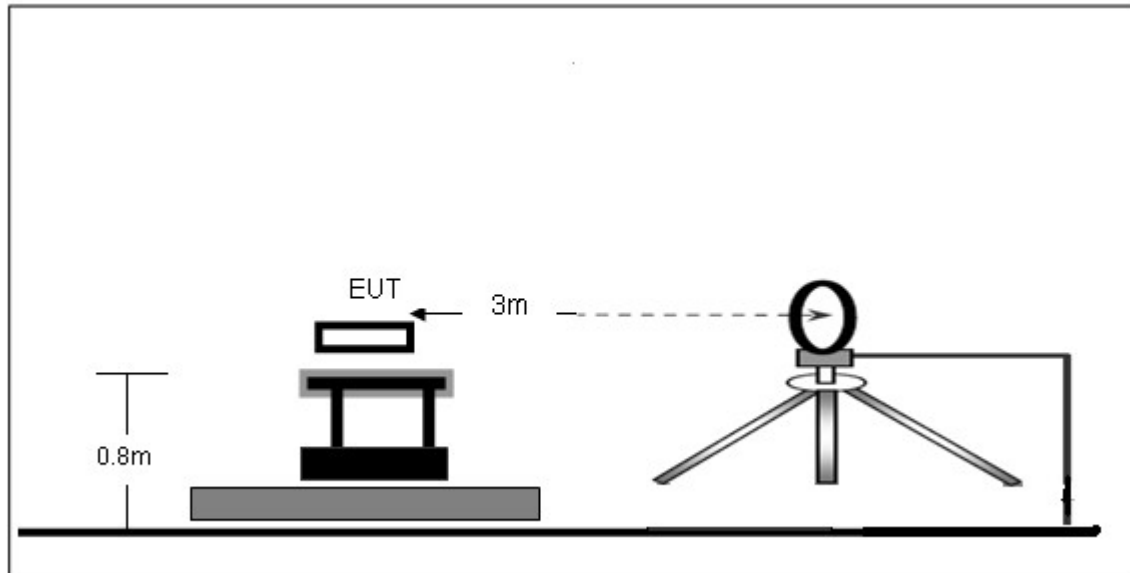
#### 6.1.1. Block Diagram of connection between the EUT and the simulators



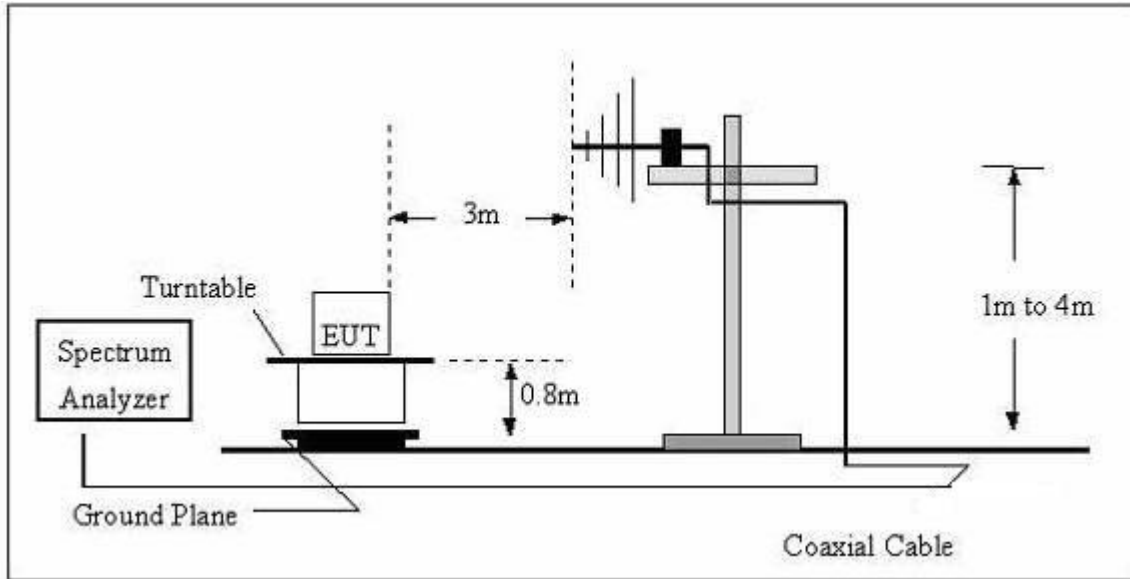
(EUT: wireless charger)

#### 6.1.2. Anechoic Chamber Test Setup Diagram

##### (A) Radiated Emission Test-Up Frequency Below 30MHz



(B) Radiated Emission Test-Up Frequency 30MHz~1GHz



The radiated emission tests were performed in the 3 meters chamber test site, using the setup accordance with the ANSI C63.10-2013. The specification used was the FCC 15.209 and FCC 15.205 limits.

## 6.2. Test Standard

FCC §15.209; §15.205

## 6.3. EMI Test Receiver Setup

The system was investigated from 9kHz to 1GHz.

During the radiated emission test, the EMI test receiver setup was set with the following configurations:

Frequency Range	RBW	Video B/W	Detector
9 kHz – 150 kHz	200 kHz	1 kHz	QP
150 kHz – 30MHz	9kHz	30kHz	QP
30 MHz – 1000 MHz	120 kHz	300 kHz	QP

Note: For the frequency bands 9-90 kHz and 110-490 kHz, the test was based on average detector.

## 6.4. Test Procedure

The EUT is placed on a turn table which is 0.8 meter above ground. The turn table can rotate 360 degrees to determine the position of the maximum emission level. The EUT is set 3 meters away from the receiving antenna which is mounted on a antenna tower. The antenna can move up and down between 1 to 4 meters to find out the maximum emission level. Broadband antenna (calibrated by dipole antenna) are used as a receiving antenna. Both horizontal and vertical polarization of the antenna are set on measurement.



## 6.5. Test Result

**PASS**

Please refer to the following pages.



### 9kHz-30MHz

EUT:	Wireless Charger	Model Name :	CP510
Temperature:	26 °C	Relative Humidity:	54%
Pressure:	1010 hPa	Polarization :	Horizontal
Test Voltage :	DC 5V		
Test Mode :	Normal Link		

Frequency (kHz)	Meter Reading (dBµV)	Factor (dB)	Emission Level (dBµV/m)	Limits (dBµV/m)	Margin (dB)	Detector Type
17.2800	39.08	20.15	59.23	142.85	-83.62	PK
17.2800	34.67	20.15	54.82	122.85	-68.03	AV
56.3800	58.67	20.33	79.00	132.58	-53.58	PK
56.3800	55.63	20.33	75.96	112.58	-36.62	AV
82.6100	69.13	20.55	89.68	129.26	-39.58	PK
82.6100	65.42	20.55	85.97	109.26	-23.29	AV
493.5600	53.77	20.64	74.41	73.74	0.67	QP
510.8200	33.69	21.26	54.95	73.74	-18.79	QP
856.3300	13.87	22.32	36.19	68.95	-32.76	QP

**Note:**

Pre-scan in the all of mode, the worst case in of was recorded.

Factor = antenna factor + cable loss – pre-amplifier.

Margin = Emission Level- Limit.



### 30MHz-1GHz

EUT:	wireless charger	Model Name :	CP510
Temperature:	26 °C	Relative Humidity:	54%
Pressure:	1010 hPa	Polarization :	Horizontal
<b>Test Voltage :</b>	AC 120V/60Hz		
Test Mode :	Normal Link		



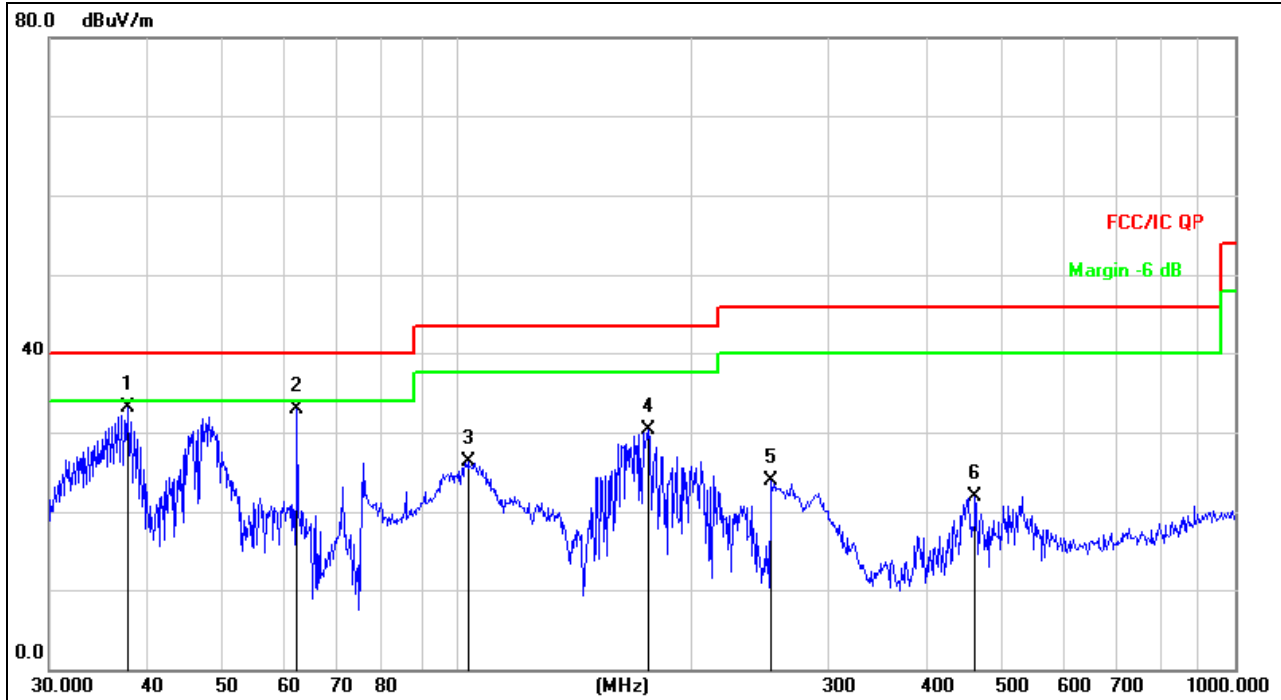
Remark:  
Factor = Antenna Factor + Cable Loss – Pre-amplifier.

No.	Mk.	Freq. MHz	Reading Level dBuV	Correct Factor dB	Measure- ment dBuV/m	Limit dB/m	Over dB	Detector
1	*	37.5479	48.56	-15.59	32.97	40.00	-7.03	QP
2		46.6664	46.83	-14.01	32.82	40.00	-7.18	QP
3		71.5806	48.58	-17.91	30.67	40.00	-9.33	QP
4		210.0482	49.37	-16.22	33.15	43.50	-10.35	QP
5		502.9395	31.74	-9.26	22.48	46.00	-23.52	QP
6		909.6667	26.10	-2.29	23.81	46.00	-22.19	QP





EUT:	wireless charger	Model Name :	CP510
Temperature:	26 °C	Relative Humidity:	54%
Pressure:	1010 hPa	Polarization :	Vertical
<b>Test Voltage :</b>	AC 120V/60Hz		
Test Mode :	Normal Link		



Remark:  
Factor = Antenna Factor + Cable Loss – Pre-amplifier.

No.	Mk.	Freq. MHz	Reading Level dBuV	Correct Factor dB	Measure- ment dBuV/m	Limit dB/m	Over dB	Detector
1	*	37.8121	48.58	-15.50	33.08	40.00	-6.92	QP
2		62.4314	48.90	-16.08	32.82	40.00	-7.18	QP
3		103.0800	41.89	-15.60	26.29	43.50	-17.21	QP
4		176.2686	48.48	-18.27	30.21	43.50	-13.29	QP
5		253.8367	38.92	-15.07	23.85	46.00	-22.15	QP
6		463.9696	32.56	-10.57	21.99	46.00	-24.01	QP

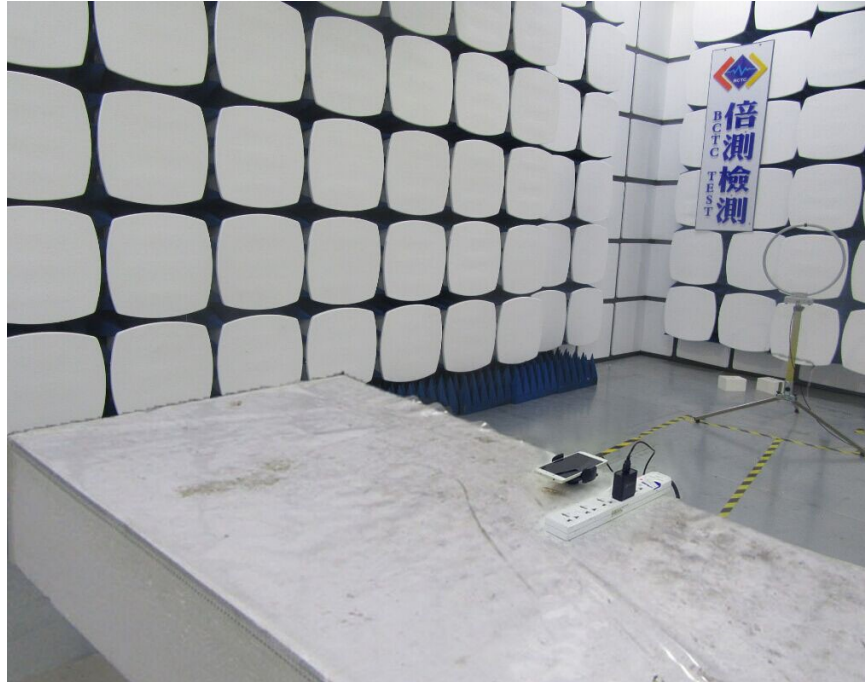
## 7. EUT TEST PHOTOS

### Conducted Measurement Photos

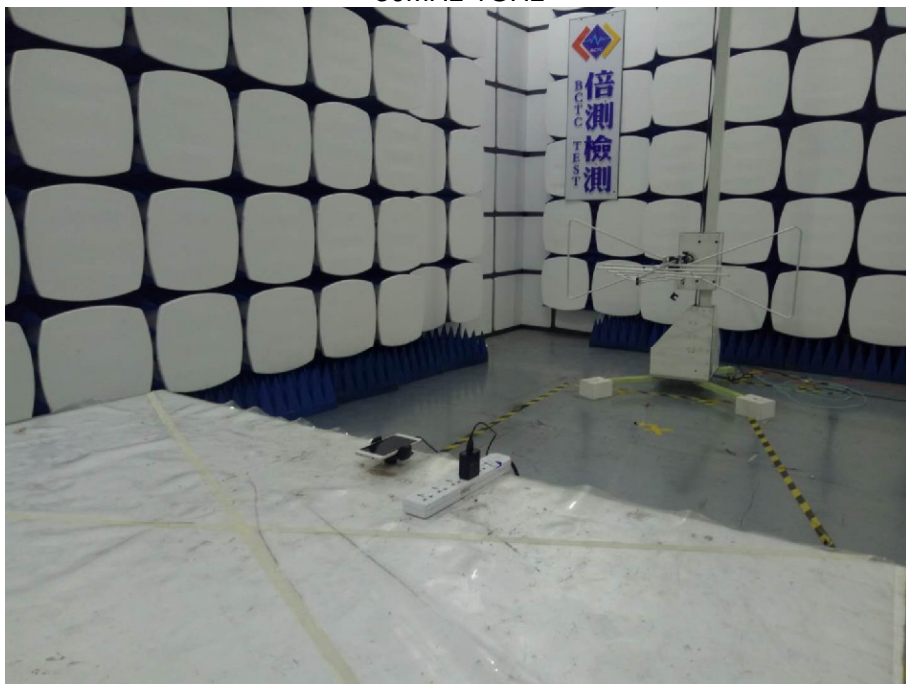




**Radiated Measurement Photos**  
9KHz-30MHz



30MHz-1GHz



## 8. EUT PHOTOS



\*\*\*\*\* END OF REPORT \*\*\*\*\*