

# TEST REPORT

**Reference No.**..... : WTD23D04092587W005  
**FCC ID** ..... : 2AEPIBLACK3  
**Applicant**..... : COLOMBIANA DE COMERCIO S.A.  
**Address**..... : Car. 43E No 8-71, Medellin, Colombia  
**Manufacturer** ..... : Sichuan Koobee Communication Equipment Co., Ltd.  
**Address**..... : 3 Floor, Building 2, 69 Gangyuan Road West Section, Lingang Development Zone, Yibin City, Sichuan Province, China  
**Product**..... : Smart Phone  
**Model(s)**..... : BLACK 3  
**Brand Name**..... : Kalley  
**Standards**..... : FCC 47CFR Part 15 Section 15.407  
**Date of Receipt sample** .... : 2023-05-08  
**Date of Test** ..... : 2023-05-08 to 2023-05-19  
**Date of Issue**..... : 2023-05-22  
**Test Result**..... : **Pass**

Remarks:

The results shown in this test report refer only to the sample(s) tested, this test report cannot be reproduced, except in full, without prior written permission of the company. The report would be invalid without specific stamp of test institute and the signatures of compiler and approver.

**Prepared By:**

**Waltek Testing Group Co., Ltd.**

Address: No. 77, Houjie Section, Guantai Road, Houjie Town, Dongguan City, Guangdong, China

Tel: +86-769-2267 6998

Fax: +86-769-2267 6828

Compiled by:

*Ford Wang*

Ford Wang / Project Engineer

Approved by:



*Deval Qin*

Deval Qin / Designated Reviewer

## 2 Contents

|   | Page      |
|---|-----------|
| <b>1 COVER PAGE .....</b>   | <b>1</b>  |
| <b>2 CONTENTS .....</b>   | <b>2</b>  |
| <b>3 REVISION HISTORY.....</b>  | <b>3</b>  |
| <b>4 GENERAL INFORMATION.....</b>   | <b>4</b>  |
| 4.1 GENERAL DESCRIPTION OF E.U.T.....   | 4         |
| 4.2 DETAILS OF E.U.T.....   | 4         |
| 4.3 FREQUENCY LIST TABLE.....   | 6         |
| 4.4 TEST FACILITY .....   | 7         |
| <b>5 TEST SUMMARY .....</b>   | <b>8</b>  |
| <b>6 EQUIPMENT USED DURING TEST.....</b>  | <b>9</b>  |
| 6.1 EQUIPMENTS LIST .....   | 9         |
| <b>7 DFS OVERVIEW .....</b>   | <b>10</b> |
| 7.1 MASTER DEVICES.....   | 11        |
| 7.2 CLIENT DEVICES .....  | 11        |
| <b>8 DFS TECHNICAL REQUIREMENTS SPECIFICATIONS .....</b>  | <b>12</b> |
| 8.1 DFS DETECTION THRESHOLDS.....   | 12        |
| 8.2 RESPONSE REQUIREMENTS.....  | 12        |
| <b>9 RADAR TEST WAVEFORMS.....</b>  | <b>13</b> |
| 9.1 SHORT PULSE RADAR TEST WAVEFORMS .....  | 13        |
| 9.2 LONG PULSE RADAR TEST WAVEFORM .....  | 13        |
| 9.3 FREQUENCY HOPPING RADAR TEST WAVEFORM .....   | 14        |
| <b>10 RADAR WAVEFORM CALIBRATION .....</b>  | <b>15</b> |
| 10.1 CONDUCTED CALIBRATION SETUP .....  | 15        |
| 10.2 CALIBRATION TEST PLOTS AS BELOW.....   | 15        |
| <b>11 TEST PROCEDURE.....</b>   | <b>17</b> |
| 11.1 IN-SERVICE MONITORING FOR CHANNEL MOVE TIME, CHANNEL CLOSING TRANSMISSION TIME AND<br>NON-OCCUPANCY PERIOD ..... | 17        |
| 11.2 DFS SETUP .....  | 18        |
| <b>12 TEST RESULTS.....</b>   | <b>19</b> |
| 12.1 CHANNEL SHUTDOWN .....   | 19        |
| 12.2 NON-OCCUPANCY PERIOD .....   | 21        |
| <b>13 PHOTOGRAPHS —TEST SETUP.....</b>  | <b>23</b> |
| 13.1 PHOTOGRAPH - DFS.....  | 23        |

### 3 Revision History

| Test Report No.    | Date of Receipt Sample | Date of Test                   | Date of Issue | Purpose  | Comment | Approved |
|--------------------|------------------------|--------------------------------|---------------|----------|---------|----------|
| WTD23D04092587W005 | 2023-05-08             | 2023-05-08<br>to<br>2023-05-19 | 2023-05-22    | Original | -       | Valid    |

## 4 General Information

### 4.1 General Description of E.U.T.

|                                       |   |
|---------------------------------------|---|
| Product:                              | Smart Phone   |
| Model(s):                             | BLACK 3   |
| GSM Band(s):                          | GSM 850/900/1800/1900MHz  |
| GPRS/EGPRS Class:                     | 12  |
| WCDMA Band(s):                        | FDD Band II/IV/V  |
| LTE Band(s):                          | FDD Band 2/4/5/7/12/13/66   |
| Wi-Fi Specification:                  | 2.4G-802.11b/g/n HT20/n HT40<br>5G-802.11a/ n(HT20/40)/ac(HT20/40/80) |
| Bluetooth Version:                    | Bluetooth v5.2 with BLE   |
| GPS:                                  | Support   |
| Hardware Version:                     | KS33NF_02   |
| Software Version:                     | KL_S33NF6.FHDJ.T.LALBPTPGSMLJSQNR.0329_2019.V1.01                     |
| Highest frequency<br>(Exclude Radio): | 2.2GHz  |
| Storage Location:                     | Internal Storage  |

### 4.2 Details of E.U.T.

|                       |  |
|-----------------------|--|
| Operation Frequency:  | 802.11a/n/ac (VHT20):<br>U-NII-1: 5150-5250MHz, U-NII-2A: 5250-5350MHz(DFS),<br>U-NII-2C: 5470-5725MHz(DFS), U-NII-3:5725-5850MHz<br>802.11n/ac (VHT40):<br>U-NII-1: 5190-5230MHz, U-NII-2A: 5270-5310MHz(DFS),<br>U-NII-2C: 5510-5670MHz(DFS), U-NII-3: 5755-5795MHz<br>802.11ac (VHT80):<br>U-NII-1: 5210MHz, U-NII-2A: 5290MHz(DFS),<br>U-NII-2C: 5530-5610MHz(DFS), U-NII-3: 5775MHz |
| Max. RF output power: | U-NII-1: 13.95dBm<br>U-NII-2A: 14.06dBm<br>U-NII-2C: 12.94dBm<br>U-NII-3: 10.61dBm   |
| Type of Modulation:   | OFDM   |
| Antenna installation: | internal permanent antenna   |
| Antenna Gain:         | U-NII-1: 0.59dBi<br>U-NII-2A: 3.25dBi<br>U-NII-2C: 3.2dBi<br>U-NII-3: 1.94dBi  |
| Ratings:              | Battery: DC 3.87V, 4900mAh<br>DC 5V, 3A charging from adapter  |

Adapter:

Model No.: HJ-FC001K7-US

Input: 100-240V~, 50/60Hz, 0.6A

Output: 5.0V===3.0A

Or 9.0V===2.0A

Or 12.0V===1.5A, 18.0W

Manufacturer: Shenzhen Huajin Electronic Co., Ltd.

**4.3 Frequency list table**

| Type  | Frequency Range(MHz) | Channel No. | Frequency(MHz) | Available(Y/N) |
|---|----------------------|-------------|----------------|----------------|
| 802.11a/n-HT20  | 5260-5320            | 52          | 5260           | ☒              |
|   |                      | 56          | 5280           | ☒              |
|   |                      | 60          | 5300           | ☒              |
|   |                      | 64          | 5320           | ☒              |
|   | 5500-5700            | 100         | 5500           | ☒              |
|   |                      | 104         | 5520           | ☒              |
|   |                      | 108         | 5540           | ☒              |
|   |                      | 112         | 5560           | ☒              |
|   |                      | 116         | 5580           | ☒              |
|   |                      | 120         | 5600           | ☒              |
|   |                      | 124         | 5620           | ☒              |
|   |                      | 128         | 5640           | ☒              |
|   |                      | 132         | 5660           | ☒              |
|   |                      | 136         | 5680           | ☒              |
| 140   | 5700                 | ☒           |                |                |
| 802.11n/ac VHT40  | 5270-5310            | 54          | 5270           | ☒              |
|   |                      | 62          | 5310           | ☒              |
|   | 5510-5670            | 102         | 5510           | ☒              |
|   |                      | 110         | 5550           | ☒              |
|   |                      | 118         | 5590           | ☒              |
|   |                      | 126         | 5630           | ☒              |
|   |                      | 134         | 5670           | ☒              |
| 802.11n/ac-VHT80  | 5290                 | 58          | 5290*          | ☒              |
|   | 5530,5610            | 106         | 5530*          | ☒              |
|   |                      | 122         | 5610*          | ☒              |
| ** shows the mode and channel which were recorded in this report. |                      |             |                |                |

#### 4.4 Test Facility

The test facility has a test site registered with the following organizations:

**ISED CAB identifier: CN0013. Test Firm Registration No.: 7760A.**

Waltek Testing Group Co., Ltd. Has been registered and fully described in a report filed with the Industry Canada. The acceptance letter from the Industry Canada is maintained in our files.

Registration number 7760A, October 15, 2016.

**FCC Designation No.: CN1201. Test Firm Registration No.: 523476.**

Waltek Testing Group Co., Ltd. EMC Laboratory has been registered and fully described in a report filed with the (FCC) Federal Communications Commission. The acceptance letter from the FCC is maintained in our files. Registration number 523476, September 10, 2019.

## 5 Test Summary

| Test Item                         | Test Requirement | Result |
|-----------------------------------|------------------|--------|
| Non-Occupancy Period              | 15.407(h)        | PASS   |
| DFS Detection Threshold           | 15.407(h)        | N/A    |
| Channel Availability Check Time   | 15.407(h)        | N/A    |
| U-NII Detection Bandwidth         | 15.407(h)        | N/A    |
| Channel Closing Transmission Time | 15.407(h)        | PASS   |
| Channel Move Time                 | 15.407(h)        | PASS   |
| Statistical Performance Check     | 15.407(h)        | N/A    |

Remark:

Note 1: N/A-Not Applicable

Note 2: DFS is not required for channels whose nominal bandwidth falls completely within the band 5 150 MHz to 5 250 MHz.

Note 3: Where implemented by the manufacturer.

RF: In this whole report RF means Radio Frequency.

A.M. Amplitude Modulation.

P.M. Pulse Modulation.

† D.M. – Differential Mode

$U_T$  is the nominal supply voltage



## 6 Equipment Used during Test

### 6.1 Equipments List

| Item | Equipment                   | Manufacturer | Model No. | Serial No. | Last Calibration Date | Calibration Due Date |
|------|-----------------------------|--------------|-----------|------------|-----------------------|----------------------|
| 1.   | Signal Analyzer             | Agilent      | N9020A    | MY49100060 | 2022-08-01            | 2023-07-31           |
| 2.   | Signal Generator            | Agilent      | N5182A    | MY46240814 | 2022-08-01            | 2023-07-31           |
| 3.   | USB Wideband Power Sensor   | Maiwei       | U2021XA   | SG54400003 | 2023-04-28            | 2024-04-27           |
| 4    | ESG VECTOR SIGNAL GENERATOR | Keysight     | MW100-PSB | SG54400003 | 2023-04-28            | 2024-04-27           |
| 5    | RF Path box                 | Yanchen      | AT890-RFB | /          | /                     | /                    |

## 7 DFS Overview

A U-NII network will employ a DFS function to detect signals from radar systems and to avoid co-channel operation with these systems. This applies to the 5250-5350 MHz and/or 5470-5725 MHz bands.<sup>1</sup>

Within the context of the operation of the DFS function, a U-NII device will operate in either Master Mode or Client Mode. U-NII devices operating in Client Mode can only operate in a network controlled by a U-NII device operating in Master Mode.<sup>2</sup>

Tables 1 and 2 shown below summarize the information contained in sections 5.1.1 and 5.1.2

**Table 1: Applicability of DFS Requirements Prior to Use of a Channel**

| Requirement                     | Operational Mode |                                |                             |
|---------------------------------|------------------|--------------------------------|-----------------------------|
|                                 | Master           | Client Without Radar Detection | Client With Radar Detection |
| Non-Occupancy Period            | Yes              | Not required                   | Yes                         |
| DFS Detection Threshold         | Yes              | Not required                   | Yes                         |
| Channel Availability Check Time | Yes              | Not required                   | Not required                |
| U-NII Detection Bandwidth       | Yes              | Not required                   | Yes                         |

**Table 2: Applicability of DFS requirements during normal operation**

| Requirement                       | Operational Mode                             |                                |
|-----------------------------------|--|--------------------------------|
|                                   | Master Device or Client with Radar Detection | Client Without Radar Detection |
| DFS Detection Threshold           | Yes  | Not required                   |
| Channel Closing Transmission Time | Yes  | Yes                            |
| Channel Move Time                 | Yes  | Yes                            |
| U-NII Detection Bandwidth         | Yes  | Not required                   |

| Additional requirements for devices with multiple bandwidth modes   | Master Device or Client with Radar Detection | Client Without Radar Detection                       |
|---|--|--|
| U-NII Detection Bandwidth and Statistical Performance Check   | All BW modes must be tested                  | Not required   |
| Channel Move Time and Channel Closing Transmission Time   | Test using widest BW mode available          | Test using the widest BW mode available for the link |
| All other tests   | Any single BW mode                           | Not required   |
| Note: Frequencies selected for statistical performance check (Section 7.8.4) should include several frequencies within the radar detection bandwidth and frequencies near the edge of the radar detection bandwidth. For 802.11 devices it is suggested to select frequencies in each of the bonded 20 MHz channels and the channel center frequency. |  |  |

The operational behavior and individual DFS requirements that are associated with these modes are as follows:

Waltek Testing Group Co., Ltd.  
<http://www.waltek.com.cn>

## 7.1 Master Devices

- a) The Master Device will use DFS in order to detect Radar Waveforms with received signal strength above the DFS Detection Threshold in the 5250 5350 MHz and 5470 5725 MHz bands. DFS is not required in the 5150 5250 MHz or 5725 5825 MHz bands.
- b) Before initiating a network on a Channel, the Master Device will perform a Channel Availability Check for a specified time duration (Channel Availability Check Time) to ensure that there is no radar system operating on the Channel, using DFS described under subsection a) above.
- c) The Master Device initiates a U-NII network by transmitting control signals that will enable other U-NII devices to Associate with the Master Device.
- d) During normal operation, the Master Device will monitor the Channel (In-Service Monitoring) to ensure that there is no radar system operating on the Channel, using DFS described under a).
- e) If the Master Device has detected a Radar Waveform during In-Service Monitoring as described under d), the Operating Channel of the U-NII network is no longer an Available Channel. The Master Device will instruct all associated Client Device(s) to stop transmitting on this Channel within the Channel Move Time. The transmissions during the Channel Move Time will be limited to the Channel Closing Transmission Time.
- f) Once the Master Device has detected a Radar Waveform it will not utilize the Channel for the duration of the Non-Occupancy Period. 3
- g) If the Master Device delegates the In-Service Monitoring to a Client Device, then the combination will be tested to the requirements described under d) through f) above.

## 7.2 Client Devices

- a) A Client Device will not transmit before having received appropriate control signals from a Master Device.
- b) A Client Device will stop all its transmissions whenever instructed by a Master Device to which it is associated and will meet the Channel Move Time and Channel Closing Transmission Time requirements. The Client Device will not resume any transmissions until it has again received control signals from a Master Device.
- c) If a Client Device is performing In-Service Monitoring and detects a Radar Waveform above the DFS Detection Threshold, it will inform the Master Device. This is equivalent to the Master Device detecting the Radar Waveform and d) through f) of section 5.1.1 apply.
- d) Irrespective of Client Device or Master Device detection the Channel Move Time and Channel Closing Transmission Time requirements remain the same.
- e) The client test frequency must be monitored to ensure no transmission of any type has occurred for 30 minutes. Note: If the client moves with the master, the device is considered compliant if nothing appears in the client non-occupancy period test. For devices that shut down (rather than moving channels), no beacons should appear.

## 8 DFS technical requirements specifications

### 8.1 DFS Detection Thresholds

**Table 3** below provides the *DFS Detection Thresholds* for *Master Devices* as well as *Client Devices* incorporating *In-Service Monitoring*. NOTE: For devices that support multiple Nominal Channel Bandwidths, the Channel Availability Check

**Table 3: DFS Detection Thresholds for Master Devices and Client Devices with Radar Detection**

| Maximum Transmit Power   | Value (See Notes 1, 2, and 3) |
|--|-------------------------------|
| EIRP $\geq$ 200 milliwatt  | -64 dBm                       |
| EIRP < 200 milliwatt and power spectral density < 10 dBm/MHz                 | -62 dBm                       |
| EIRP < 200 milliwatt that do not meet the power spectral density requirement | -64 dBm                       |

Note 1: This is the level at the input of the receiver assuming a 0 dBi receive antenna.  
 Note 2: Throughout these test procedures an additional 1 dB has been added to the amplitude of the test transmission waveforms to account for variations in measurement equipment. This will ensure that the test signal is at or above the detection threshold level to trigger a DFS response.  
 Note3: EIRP is based on the highest antenna gain. For MIMO devices refer to KDB Publication 662911 D01.

### 8.2 Response Requirements

Table 4 provides the response requirements for Master and Client Devices incorporating DFS.

**Table 4: DFS Response Requirement Values**

| Parameter                         | Value   |
|-----------------------------------|---|
| Non-occupancy period              | Minimum 30 minutes  |
| Channel Availability Check Time   | 60 seconds  |
| Channel Move Time                 | 10 seconds<br>See Note 1.   |
| Channel Closing Transmission Time | 200 milliseconds + an aggregate of 60 milliseconds over remaining 10 second period.<br>See Notes 1 and 2. |
| U-NII Detection Bandwidth         | Minimum 100% of the U-NII 99% transmission power bandwidth. See Note 3.                                   |

Note 1: Channel Move Time and the Channel Closing Transmission Time should be performed with Radar Type 0. The measurement timing begins at the end of the Radar Type 0 burst.  
 Note 2: The Channel Closing Transmission Time is comprised of 200 milliseconds starting at the beginning of the Channel Move Time plus any additional intermittent control signals required to facilitate a Channel move (an aggregate of 60 milliseconds) during the remainder of the 10 second period. The aggregate duration of control signals will not count quiet periods in between transmissions.  
 Note 3: During the U-NII Detection Bandwidth detection test, radar type 0 should be used. For each frequency step the minimum percentage of detection is 90 percent. Measurements are performed with no data traffic.

## 9 Radar Test Waveforms

This section provides the parameters for required test waveforms, minimum percentage of successful detections, and the minimum number of trials that must be used for determining DFS conformance. Step intervals of 0.1 microsecond for Pulse Width, 1 microsecond for PRI, 1 MHz for chirp width and 1 for the number of pulses will be utilized for the random determination of specific test waveforms.

### 9.1 Short Pulse Radar Test Waveforms

**Table 5 – Short Pulse Radar Test Waveforms**

| Radar Type | Pulse Width (µsec) | PRI (µsec) | Number of Pulses | Minimum Percentage of Successful Detection | Minimum Number of Trials |
|------------|--------------------|------------|------------------|--|--------------------------|
| 1          | 1                  | 1428       | 18               | See Note 1                                 | See Note 1               |
| 2          | 1-5                | 150-230    | 23-29            | 60%  | 30                       |
| 3          | 6-10               | 200-500    | 16-18            | 60%  | 30                       |
| 4          | 11-20              | 200-500    | 12-16            | 60%  | 30                       |

Note 1: Short Pulse Radar Type 1 should be used for the detection bandwidth test, channel move time, and channel closing time tests.

### 9.2 Long Pulse Radar Test Waveform

**Table 6 – Long Pulse Radar Test Waveform**

| Radar Type | Pulse Width (µsec) | Chirp Width (MHz) | PRI (µsec) | Number of Pulses per Burst | Number of Bursts | Minimum Percentage of Successful Detection | Minimum Number of Trials |
|------------|--------------------|-------------------|------------|----------------------------|------------------|--|--------------------------|
| 5          | 50-100             | 5-20              | 1000-2000  | 1-3                        | 8-20             | 80%  | 30                       |

The parameters for this waveform are randomly chosen. Thirty unique waveforms are required for the Long Pulse Radar Type waveforms. If more than 30 waveforms are used for the Long Pulse Radar Type waveforms, then each additional waveform must also be unique and not repeated from the previous waveforms.

Each waveform is defined as follows:

- 1) The transmission period for the Long Pulse Radar test signal is 12 seconds.
- 2) There are a total of 8 to 20 Bursts in the 12 second period, with the number of Bursts being randomly chosen. This number is Burst Count.
- 3) Each Burst consists of 1 to 3 pulses, with the number of pulses being randomly chosen. Each Burst within the 12 second sequence may have a different number of pulses.
- 4) The pulse width is between 50 and 100 microseconds, with the pulse width being randomly chosen. Each pulse within a Burst will have the same pulse width. Pulses in different Bursts may have different pulse widths.

5) Each pulse has a linear frequency modulated chirp between 5 and 20 MHz, with the chirp width being randomly chosen. Each pulse within a transmission period will have the same chirp width. The chirp is centered on the pulse. For example, with a radar frequency of 5300 MHz and a 20 MHz chirped signal, the chirp starts at 5290 MHz and ends at 5310 MHz.

6) If more than one pulse is present in a Burst, the time between the pulses will be between 1000 and 2000 microseconds, with the time being randomly chosen. If three pulses are present in a Burst, the random time interval between the first and second pulses is chosen independently of the random time interval between the second and third pulses.

7) The 12 second transmission period is divided into even intervals. The number of intervals is equal to Burst Count. Each interval is of length  $(12,000,000 / \text{Burst Count})$  microseconds. Each interval contains one Burst. The start time for the Burst, relative to the beginning of the interval, is between 1 and  $[(12,000,000 / \text{Burst Count}) - (\text{Total Burst Length}) + (\text{One Random PRI Interval})]$  microseconds, with the start time being randomly chosen. The step interval for the start time is 1 microsecond. The start time for each Burst is chosen randomly.

### 9.3 Frequency Hopping Radar Test Waveform

**Table 7 – Frequency Hopping Radar Test Waveform**

| Radar Type | Pulse Width (μsec) | PRI (μsec) | Pulses per Hop | Hopping Rate (kHz) | Hopping Sequence Length (msec) | Minimum Percentage of Successful Detection | Minimum Number of Trials |
|------------|--------------------|------------|----------------|--------------------|--------------------------------|--|--------------------------|
| 6          | 1                  | 333        | 9              | 0.333              | 300                            | 70%  | 30                       |

For the Frequency Hopping Radar Type, the same Burst parameters are used for each waveform. The hopping sequence is different for each waveform and a 100-length segment is selected from the hopping sequence defined by the following algorithm: 4

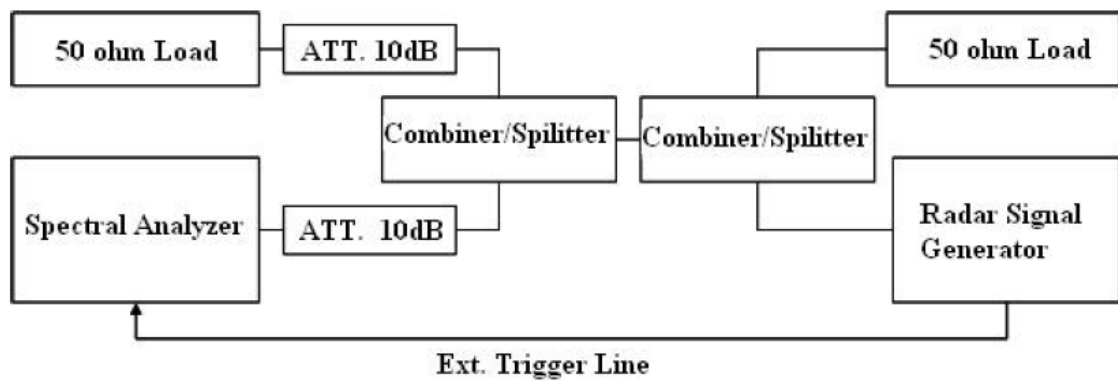
The first frequency in a hopping sequence is selected randomly from the group of 475 integer frequencies from 5250 – 5724 MHz. Next, the frequency that was just chosen is removed from the group and is randomly selected from the remaining 474 frequencies in the group. This process continues until all are chosen for the set. For selection of a random frequency, the frequencies remaining within the group are treated as equally likely.

initial power up or at initial installation. Channels being used by other RLAN equipment may be omitted from the list of Usable Channels.

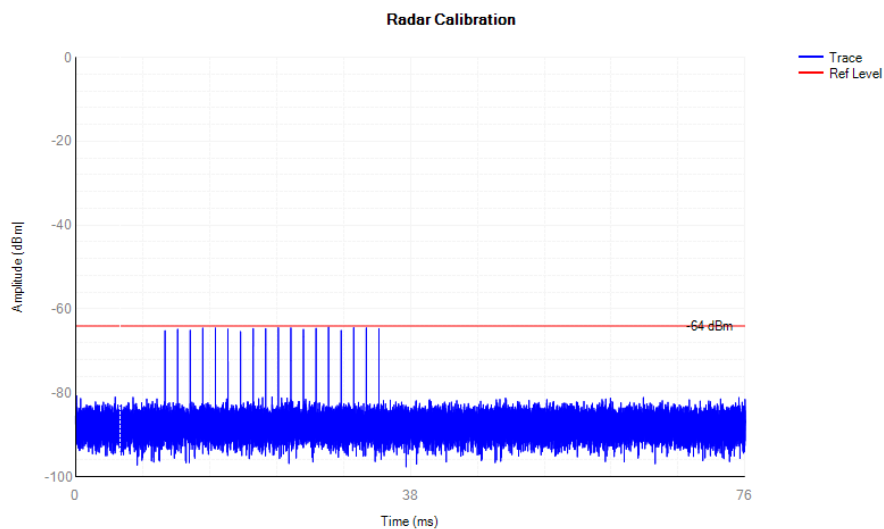
## 10 Radar Waveform Calibration

The following equipment setup was used to calibrate the conducted radar waveform. A spectrum analyzer was used to establish the test signal level for each radar type. During this process there were no transmissions by either the master or client device. The spectrum analyzer was switched to the zero spans (time domain) at the frequency of the radar waveform generator. Peak detection was utilized. The spectrum analyzer resolution bandwidth (RBW) and video bandwidth (VBW) were set to 1 MHz and 3 MHz. The signal generator amplitude was set so that the power level measured at the spectrum analyzer was -55dBm due to the interference threshold level is not required.

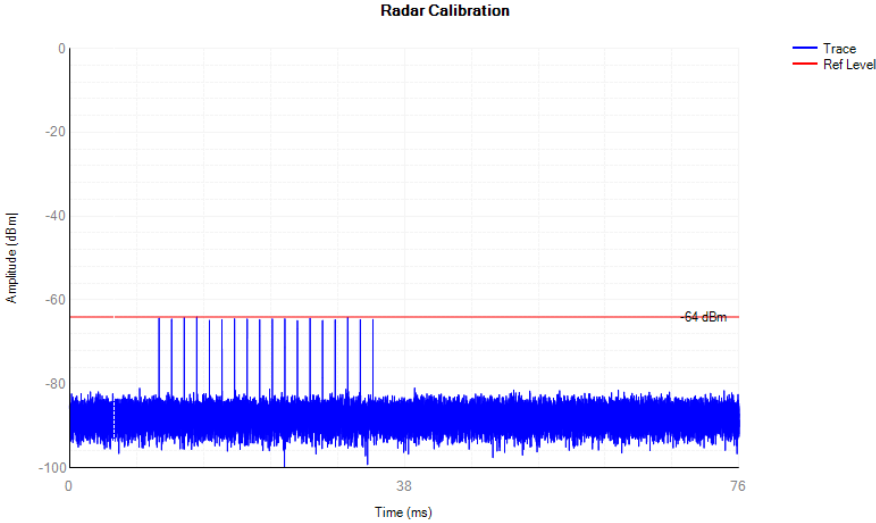
### 10.1 Conducted Calibration Setup



### 10.2 Calibration Test Plots As Below



Radar Signal Ref 5290



Radar Signal Ref 5530



## 11 Test Procedure

### 11.1 In-Service Monitoring for Channel Move Time, Channel Closing Transmission Time and Non-Occupancy Period

These tests define how the following DFS parameters are verified during In-Service Monitoring;

- Channel Closing Transmission Time
- Channel Move Time
- Non-Occupancy Period

The steps below define the procedure to determine the above mentioned parameters when a radar Burst with a level equal to the DFS Detection Threshold + 1dB is generated on the Operating Channel of the U-NII device (In- Service Monitoring).

- a) One frequency will be chosen from the Operating Channels of the UUT within the 5250-5350 MHz or 5470-5725 MHz bands. For 802.11 devices, the test frequency must contain control signals. This can be verified by disabling channel loading and monitoring the spectrum analyzer. If no control signals are detected, another frequency must be selected within the emission bandwidth where control signals are detected.
- b) In case the UUT is a U-NII device operating as a Client Device (with or without DFS), a U-NII device operating as a Master Device will be used to allow the UUT (Client device) to Associate with the Master Device. In case the UUT is a Master Device, a U-NII device operating as a Client Device will be used and it is assumed that the Client will Associate with the UUT (Master). In both cases for conducted tests, the Radar Waveform generator will be connected to the Master Device. For radiated tests, the emissions of the Radar Waveform generator will be directed towards the Master Device. If the Master Device has antenna gain, the main beam of the antenna will be directed toward the radar emitter. Vertical polarization is used for testing.
- c) Stream the channel loading test file from the Master Device to the Client Device on the test Channel for the entire period of the test.
- d) At time T<sub>0</sub> the Radar Waveform generator sends a Burst of pulses for one of the Radar Type 0 in Table 5 at levels defined in Table 3, on the Operating Channel. An additional 1 dB is added to the radar test signal to ensure it is at or above the DFS Detection Threshold, accounting for equipment variations/errors.
- e) Observe the transmissions of the UUT at the end of the radar Burst on the Operating Channel for duration greater than 10 seconds. Measure and record the transmissions from the UUT during the observation time (Channel Move Time). Measure and record the Channel Move Time and Channel Closing Transmission Time if radar detection occurs. Figure 17 illustrates Channel Closing Transmission Time.
- f) When operating as a Master Device, monitor the UUT for more than 30 minutes following instant T<sub>2</sub> to verify that the UUT does not resume any transmissions on this Channel. Perform this test once and record the measurement result.

g) In case the UUT is a U-NII device operating as a Client Device with In-Service Monitoring, perform steps a) to f).

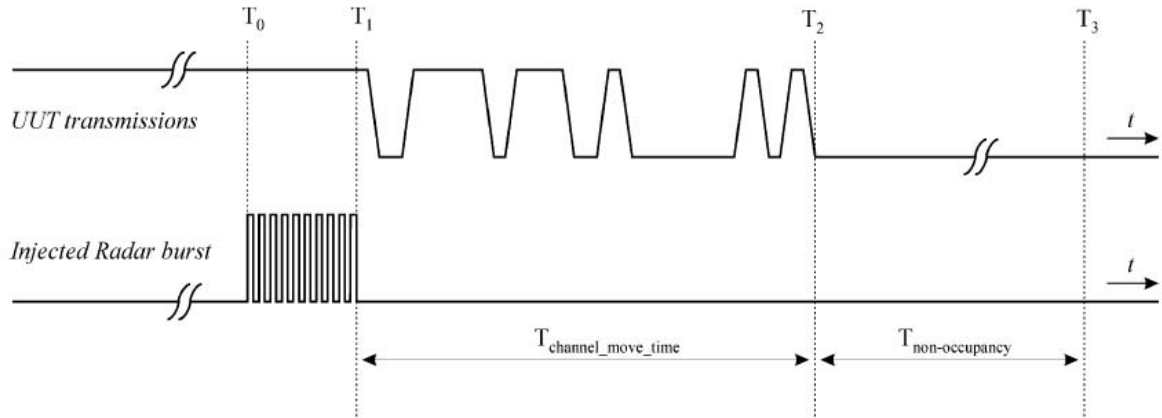


Figure 17: Example of Channel Closing Transmission Time & Channel Closing Time

### 11.2 DFS setup

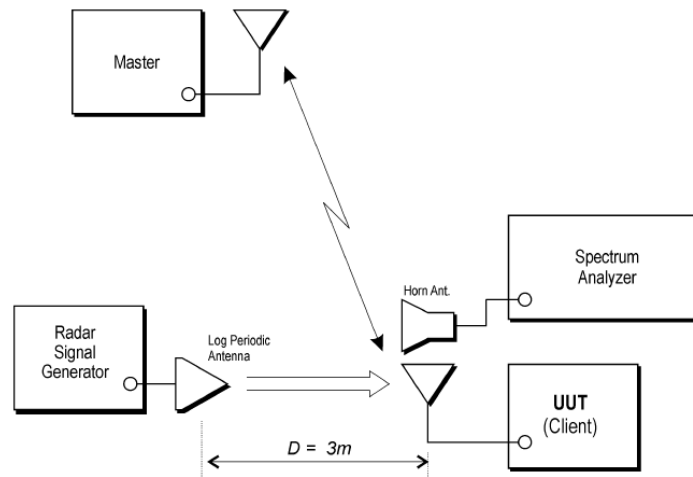


Figure 7: Example Radiated Setup where UUT is a Client and radar Test Waveforms are injected into the Client

## 12 Test Results

### 12.1 Channel Shutdown

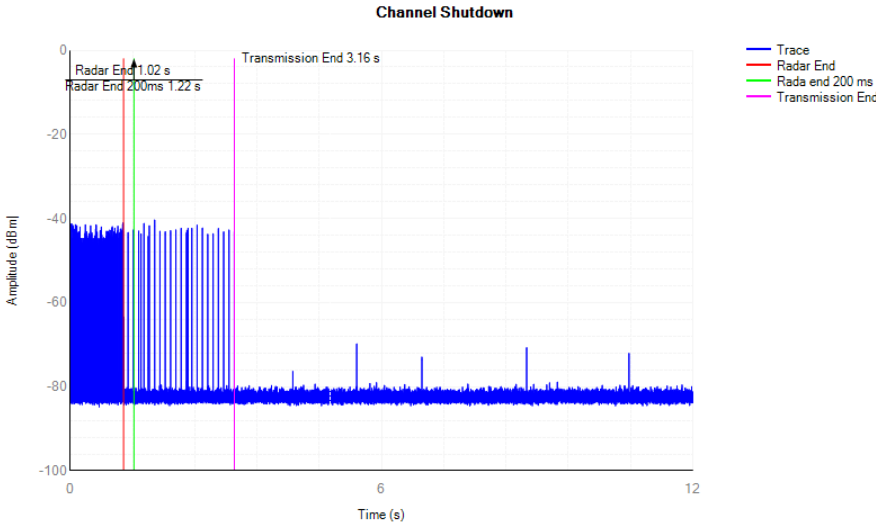
**Remark:** We test all channels that need to be tested for DFS, including parts of the 5150-5250MHz and 5725-5850MHz that fall in the DFS band, reporting only part of the test pattern and data. In this report, we have identified other parts that are compliant with FCC regulations .

| Mode            | Channel number | Center frequency | Channel Move Time (s) | Limits(s) | Channel Closing Transmission Time(s) | Limits(s)  | Results |
|-----------------|----------------|------------------|-----------------------|-----------|--------------------------------------|--|---------|
| 802.11ac(VHT80) | 58             | 5290             | 2.0881                | 10        | 0.0268                               | 200 milliseconds + an aggregate of 60 milliseconds over remaining 10 second period | Pass    |
| 802.11ac(VHT80) | 106            | 5530             | 2.1265                |           | 0.0184                               |  | Pass    |

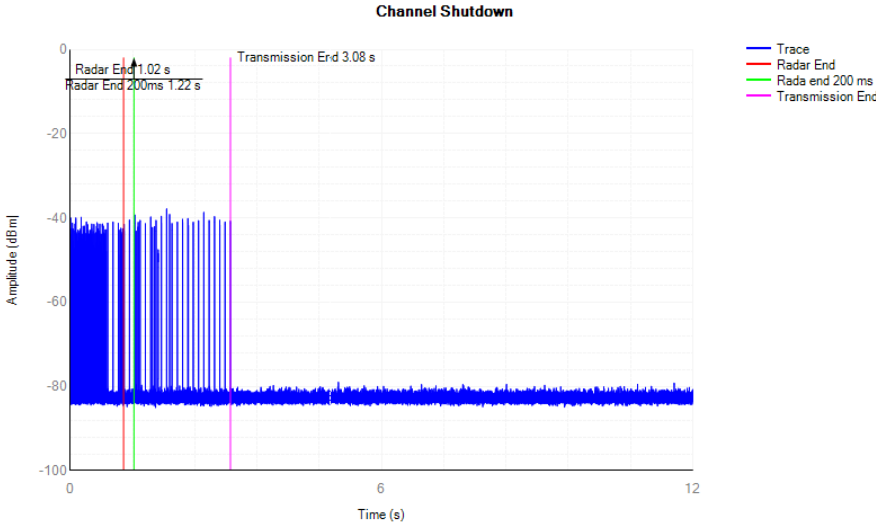
**Note:**

1. The aggregate duration of all transmissions of the RLAN device on this channel during the Channel Move Time shall be limited to the Channel Closing Transmission Time. The aggregate duration of all transmissions shall not include quiet periods in between transmissions.
2. A reference type radar waveform was introduced to the EUT when 1s after sweep, and the spectrum Analyzer sweep time was set to 12s for monitoring and capturing the plot. A software program was created to collect the trace data and capturing the plot, then automatic calculate the duration time.

Test plots as below



802.11ac80 channel 58 5290MHz



802.11ac80 channel 106 5530MHz

## 12.2 Non-Occupancy Period

| Mode            | Frequency | Bandwidth | Measured Value | Limit Requirements | Verdict |
|-----------------|-----------|-----------|----------------|--------------------|---------|
| 802.11ac(VHT80) | 5290MHz   | 80MHz     | >30min         | 30min              | Pass    |
| 802.11ac(VHT80) | 5530MHz   | 80MHz     | >30min         | 30min              | Pass    |

**Note:** All the mode have been tested and passed, only showed the worst mode in the report.



## 13 Photographs —Test Setup

### 13.1 Photograph - DFS

For DFS Test



====End of Report====