

TEST REPORT

Reference No...... : WTD24D03060913W006
FCC ID : 2AEPBLACK1
Applicant..... : COLOMBIANA DE COMERCIO S.A.
Address..... : Car. 43E No 8-71, Medellin, Colombia
Manufacturer : Mobiwire Mobiles (Ningbo) Co.,Ltd
Address..... : No. 518, Changting East Road, Yuelin Street, Fenghua District, Ningbo City, Zhejiang Province, China
Product..... : Smart Phone
Model(s)..... : Black 1
Brand Name : Kalley
Standards..... : FCC CFR47 Part 22 Subpart H
FCC CFR47 Part 24 Subpart E
FCC CFR47 Part 27
Date of Receipt sample : 2024-03-25
Date of Test : 2024-03-25 to 2024-04-02
Date of Issue..... : 2024-04-11
Test Result..... : **Pass**

Remarks:

The results shown in this test report refer only to the sample(s) tested, this test report cannot be reproduced, except in full, without prior written permission of the company. The report would be invalid without specific stamp of test institute and the signatures of compiler and approver.

Prepared By:

Waltek Testing Group Co., Ltd.

Address: No. 77, Houjie Section, Guantai Road, Houjie Town, Dongguan City, Guangdong, China

Tel: +86-769-2267 6998

Fax: +86-769-2267 6828

Compiled by:

Ford Wang

Ford Wang / Project Engineer

Approved by:

Deval Qin
The logo is a circular blue stamp with the text 'WALTEK TESTING GROUP CO., LTD.' around the perimeter and 'WALTEK' in the center. A checkmark is visible inside the circle. The signature 'Deval Qin' is written across the stamp.

Deval Qin / Designated Reviewer

2 Contents

	Page
1 COVER PAGE	1
2 CONTENTS	2
3 REVISION HISTORY	4
4 GENERAL INFORMATION	5
4.1 GENERAL DESCRIPTION OF E.U.T.	5
4.2 DETAILS OF E.U.T.	5
4.3 TEST MODE	7
4.4 TEST FACILITY	10
5 TEST SUMMARY	11
6 EQUIPMENT USED DURING TEST	12
6.1 EQUIPMENTS LIST	12
6.2 MEASUREMENT UNCERTAINTY	13
7 RF OUTPUT POWER	14
7.1 EUT OPERATION.....	14
7.2 TEST PROCEDURE.....	14
7.3 TEST RESULT.....	15
8 PEAK-TO-AVERAGE RATIO	63
8.1 EUT OPERATION.....	63
8.2 TEST PROCEDURE.....	63
8.3 TEST RESULT.....	63
9 BANDWIDTH	64
9.1 EUT OPERATION.....	64
9.2 TEST PROCEDURE.....	64
9.3 TEST RESULT.....	64
10 SPURIOUS EMISSIONS AT ANTENNA TERMINALS	65
10.1 EUT OPERATION	65
10.2 TEST PROCEDURE	65
10.3 TEST RESULT	65
11 SPURIOUS RADIATED EMISSIONS	66
11.1 EUT OPERATION	66
11.2 TEST SETUP	66
11.3 SPECTRUM ANALYZER SETUP.....	67
11.4 TEST PROCEDURE	68
11.5 SUMMARY OF TEST RESULTS	69
12 BAND EDGE MEASUREMENT	76
12.1 EUT OPERATION	76
12.2 TEST PROCEDURE	76
12.3 TEST RESULT	77
13 FREQUENCY STABILITY	78
13.1 EUT OPERATION	78
13.2 TEST PROCEDURE	78

13.3	TEST RESULT	79
14	RF EXPOSURE	111
15	PHOTOGRAPHS OF TEST SETUP AND EUT.....	111

3 Revision History

Test Report No.	Date of Receipt Sample	Date of Test	Date of Issue	Purpose	Comment	Approved
WTD24D03060913W006	2024-03-25	2024-03-25 to 2024-04-02	2024-04-11	Original	-	Valid

4 General Information

4.1 General Description of E.U.T.

Product:	Smart Phone
Model(s):	Black 1
Model Description:	The product has two configurations, single card and dual card, other parts are the same. The EUT is dual card in this report.
LTE Band(s):	FDD Band 2/4/5/7/12/13/66
Hardware Version:	V01
Software Version:	Kalley_BLACK_1_Claro_Co_V01_20240315.
Highest frequency (Exclude Radio):	1.6GHz
Storage Location:	Internal Storage
Note:	This EUT has two SIM card slots, and use same one RF module. We found that RF parameters are the same, when we insert the card 1 and card 2. So we usually performed the test under main card slot 1.

4.2 Details of E.U.T.

Operation Frequency:	LTE Band 2: 1850~1910MHz LTE Band 4: 1710~1755MHz LTE Band 5: 824~849MHz LTE Band 7: 2500~2570MHz LTE Band 12: 699~716MHz LTE Band 13: 777~787MHz LTE Band 66: 1710~1780MHz
Max. RF output power:	LTE Band 2: 22.83dBm LTE Band 4: 23.69dBm LTE Band 5: 22.82dBm LTE Band 7: 23.63dBm LTE Band 12: 22.53dBm LTE Band 13: 22.33dBm LTE Band 66: 23.70dBm
Type of Modulation:	LTE: QPSK, 16QAM
Antenna installation:	LTE: internal permanent antenna
Antenna Gain:	LTE Band 2: -0.39dBi LTE Band 4: 0.15dBi LTE Band 5: -4.88dBi LTE Band 7: 2.64dBi LTE Band 12: -7.62dBi LTE Band 13: -5.23dBi LTE Band 66: 0.61dBi

Note:

#: The antenna gain is provided by the applicant, and the applicant should be responsible for its authenticity, WALTEK lab has not verified the authenticity of its information.

Ratings: Battery: DC 3.85V, 3850mAh, 14.82Wh
DC 5V, 2A charging from adapter

Adapter: Model No.: UT-681A-5200ZCY
Input: 100-240V~, 50/60Hz, 0.35A
Output: 5V---2.0A, 10.0W

Type of Emission: LTE Band 2 1.4MHz: 1M09G7D(QPSK), 1M09W7D(16QAM)
LTE Band 2 3MHz: 2M69G7D(QPSK), 2M68W7D(16QAM)
LTE Band 2 5MHz: 4M490G7D(QPSK), 4M48W7D(16QAM)
LTE Band 2 10 MHz: 8M93G7D(QPSK), 8M92W7D(16QAM)
LTE Band 2 15MHz: 13M5G7D(QPSK), 13M5W7D(16QAM)
LTE Band 2 20MHz: 17M9G7D(QPSK), 17M9W7D(16QAM)
LTE Band 4 1.4MHz: 1M09G7D(QPSK), 1M09W7D(16QAM)
LTE Band 4 3MHz: 2M69G7D(QPSK), 2M68W7D(16QAM)
LTE Band 4 5MHz: 4M49G7D(QPSK), 4M48W7D(16QAM)
LTE Band 4 10 MHz: 8M93G7D(QPSK), 8M92W7D(16QAM)
LTE Band 4 15MHz: 13M5G7D(QPSK), 13M5W7D(16QAM)
LTE Band 4 20MHz: 17M9G7D(QPSK), 17M9W7D(16QAM)
LTE Band 5 1.4MHz: 1M10G7D(QPSK), 1M09W7D(16QAM)
LTE Band 5 3MHz: 2M69G7D(QPSK), 2M69W7D(16QAM)
LTE Band 5 5MHz: 4M53G7D(QPSK), 4M51W7D(16QAM)
LTE Band 5 10 MHz: 8M96G7D(QPSK), 8M94W7D(16QAM)
LTE Band 7 5MHz: 4M48G7D(QPSK), 4M48W7D(16QAM)
LTE Band 7 10 MHz: 8M93G7D(QPSK), 8M92W7D(16QAM)
LTE Band 7 15MHz: 13M5G7D(QPSK), 13M5W7D(16QAM)
LTE Band 7 20MHz: 17M9G7D(QPSK), 17M9W7D(16QAM)
LTE Band 12 1.4MHz: 1M10G7D(QPSK), 1M10W7D(16QAM)
LTE Band 12 3MHz: 2M69G7D(QPSK), 2M69W7D(16QAM)
LTE Band 12 5MHz: 4M53G7D(QPSK), 4M53W7D(16QAM)
LTE Band 12 10MHz: 8M96G7D(QPSK), 8M95W7D(16QAM)
LTE Band 13 5MHz: 4M52G7D(QPSK), 4M52W7D(16QAM)
LTE Band 13 10 MHz: 8M95G7D(QPSK), 8M93W7D(16QAM)
LTE Band 66 1.4MHz: 1M09G7D(QPSK), 1M09W7D(16QAM)
LTE Band 66 3MHz: 2M69G7D(QPSK), 2M68W7D(16QAM)
LTE Band 66 5MHz: 4M48G7D(QPSK), 4M48W7D(16QAM)
LTE Band 66 10 MHz: 8M93G7D(QPSK), 8M92W7D(16QAM)
LTE Band 66 15MHz: 13M5G7D(QPSK), 13M5W7D(16QAM)
LTE Band 66 20MHz: 17M9G7D(QPSK), 17M9W7D(16QAM)

4.3 Test Mode

All test mode(s) and condition(s) mentioned were considered and evaluated respectively by performing full tests, the worst data were recorded and reported.

Support Band	Test Mode BW(MHz)	Channel Frequency	Channel Number
LTE Band 2	1.4	1850.7 MHz	18607
		1880.0 MHz	18900
		1909.3 MHz	19193
	3	1851.5 MHz	18615
		1880.0 MHz	18900
		1908.5 MHz	19185
	5	1852.5 MHz	18625
		1880.0 MHz	18900
		1907.5 MHz	19175
	10	1855.0 MHz	18650
		1880.0 MHz	18900
		1905.0 MHz	19150
	15	1857.5 MHz	18675
		1880.0 MHz	18900
		1902.5 MHz	19125
20	1860.0 MHz	18700	
	1880.0 MHz	18900	
	1900.0 MHz	19100	
LTE Band 4	1.4	1710.7 MHz	19957
		1732.5 MHz	20175
		1754.3 MHz	20393
	3	1711.5 MHz	19965
		1732.5 MHz	20175
		1753.5 MHz	20385
	5	1712.5 MHz	19975
		1732.5 MHz	20175
		1752.5 MHz	20375
	10	1715.0 MHz	20000
		1732.5 MHz	20175
		1750.0 MHz	20350
	15	1717.5 MHz	20025
		1732.5 MHz	20175
		1747.5 MHz	20325
20	1720.0 MHz	20050	
	1732.5 MHz	20175	
	1745.0 MHz	20300	
LTE Band 5	1.4	824.7 MHz	20407
		836.5 MHz	20525

	3	848.3 MHz	20643
		825.5 MHz	20415
		836.5 MHz	20525
	5	847.5 MHz	20635
		826.5 MHz	20425
		836.5 MHz	20525
	10	846.5 MHz	20625
		829.0 MHz	20450
		836.5 MHz	20525
LTE Band 7	5	844.0 MHz	20600
		2502.5 MHz	20775
		2535.0 MHz	21100
	10	2567.5 MHz	21425
		2505.0 MHz	20800
		2535.0 MHz	21100
	15	2565.0 MHz	21400
		2507.5 MHz	20825
		2535.0 MHz	21100
	20	2562.5 MHz	21375
		2510.0 MHz	20850
		2535.0 MHz	21100
LTE Band 12	1.4	2560.0 MHz	21350
		699.7 MHz	23017
		707.5 MHz	23095
	3	715.3 MHz	23173
		700.5 MHz	23025
		707.5 MHz	23095
	5	714.5 MHz	23165
		701.5 MHz	23035
		707.5 MHz	23095
	10	713.5 MHz	23155
		704.0 MHz	23060
		707.5 MHz	23095
LTE Band 13	5	711.0 MHz	23130
		779.5 MHz	23205
		782.0 MHz	23230
	784.5 MHz	23255	
10	782.0 MHz	23230	
LTE Band 66	1.4	1710.7MHz	131979
		1744.9 MHz	132321
		1779.2 MHz	132664
	3	1711.5 MHz	131987
		1744.9 MHz	132321

	5	1778.4MHz	132656
		1712.5 MHz	131997
		1744.9 MHz	132321
		1777.4	132646
	10	1715.0 MHz	132022
		1744.9 MHz	132321
		1774.9 MHz	132621
	15	1722.5 MHz	132097
		1744.9 MHz	132321
		1767.4 MHz	132546
	20	1720.0 MHz	132072
		1744.9 MHz	132321
		1759.9 MHz	132471
Remark: All mode(s) were tested and the worst data was recorded.			

4.4 Test Facility

The test facility has a test site registered with the following organizations:

ISED CAB identifier: CN0013. Test Firm Registration No.: 7760A.

Waltek Testing Group Co., Ltd. Has been registered and fully described in a report filed with the Industry Canada. The acceptance letter from the Industry Canada is maintained in our files. Registration number 7760A, October 15, 2016.

FCC Designation No.: CN1201. Test Firm Registration No.: 523476.

Waltek Testing Group Co., Ltd. EMC Laboratory has been registered and fully described in a report filed with the (FCC) Federal Communications Commission. The acceptance letter from the FCC is maintained in our files. Registration number 523476, September 10, 2019.

5 Test Summary

Test Items	Test Requirement	Result
RF Output Power	2.1046 22.913 (a) 24.232 (c) 27.50(h.2) 27.50(d.4) 90.635	PASS
Peak-to-Average Ratio	24.232 (d) 27.50(d)	PASS
Bandwidth	2.1049 22.905 22.917 24.238 27.53(a) 90.691	PASS
Spurious Emissions at Antenna Terminal	2.1051 22.917 (a) 24.238 (a) 27.53(h) 27.53(m)(4) 90.691	PASS
Field Strength of Spurious Radiation	2.1053 22.917 (a) 24.238 (a) 27.53(h) 27.53(m)(4) 90.691	PASS
Out of band emission	22.917 (a) 24.238 (a) 27.53(h) 27.53(m)(4) 90.691	PASS
Frequency Stability	2.1055 22.355 24.235 27.5(h) 27.54 90.231	PASS
Maximum Permissible Exposure (SAR)	1.1307 2.1093	PASS

6 Equipment Used during Test

6.1 Equipments List

Item	Equipment	Manufacturer	Model No.	Serial No.	Last Cal. Date	Calibration Due Date
3m Semi-anechoic Chamber for Radiation Emissions 1#						
1	Spectrum Analyzer	R&S	FSP30	100091	2023-04-24	2024-04-23
2	Amplifier	Agilent	8447D	2944A10178	2023-07-27	2024-07-26
3	Tri-log Broadband Antenna	SCHWARZBECK	VULB9163	336	2023-08-07	2024-08-06
4	Coaxial Cable	Top	TYPE16(13M)	-	2023-04-24	2024-04-23
5	Broad-band Horn Antenna	SCHWARZBECK	BBHA 9120D	667	2024-01-23	2025-01-22
6	Broad-band Horn Antenna	SCHWARZBECK	BBHA 9170	335	2023-07-27	2024-07-26
7	Broadband Pre-amplifier	COMPLIANCE	PAP-1G18	2004	2023-08-08	2024-08-07
8	Coaxial Cable	Top	ZT26-NJ-NJ-8M/FA	-	2023-04-24	2024-04-23
9	Microwave Amplifier	SCHWARZBECK	BBV 9721	100472	2023-07-27	2024-07-26
10	Coaxial Cable	Top	ZT40-2.92J-2.92J-2.0M	17100919	2023-04-24	2024-04-23
3m Semi-anechoic Chamber for Radiation Emissions 2#						
1	Test Receiver	R&S	ESCI	101296	2023-04-24	2024-04-23
2	Trilog Broadband Antenna	SCHWARZBECK	VULB9160	9160-3325	2023-11-04	2024-11-03
3	Active Loop Antenna	Com-Power	AL-130R	10160007	2023-05-07	2024-05-06
4	Amplifier	ANRITSU	MH648A	M43381	2023-04-24	2024-04-23
5	Cable	HUBER+SUHNER	CBL2	525178	2023-04-24	2024-04-23
RF Conducted Testing						
1	Spectrum Analyzer	Agilent	N9020A	MY49100060	2023-07-27	2024-07-26
2	Universal Radio Communication Tester	R&S	CMW 500	127818	2023-04-24	2024-04-23

Test Software:

Test Item	Software name	Software version
Radiated Emission(3m)	EZ-EMC	EZ-EMC(RA-03A1-1)

6.2 Measurement Uncertainty

Parameter	Uncertainty
Conducted Emission	± 3.64 dB(AC mains 150KHz~30MHz)
Radiated Spurious Emissions	± 5.08 dB (Bilog antenna 30M~1000MHz)
	± 5.47 dB (Horn antenna 1000M~25000MHz)
Radio Frequency	± 1 x 10 ⁻⁷ Hz
RF Power	± 0.42 dB
RF Power Density	± 0.7dB
Conducted Spurious Emissions	± 2.76 dB (9kHz~26500MHz)
Confidence interval: 95%. Confidence factor:k=2	

7 RF Output Power

Test Requirement:	FCC Part 2.1046, 22.913 (a), 24.232 (c), 27.50(h.2); 27.50(d.4); 90.635
Test Method:	ANSI C63.26:2015 ANSI/TIA-603-E:2016
Test Mode:	TX transmitting

7.1 EUT Operation

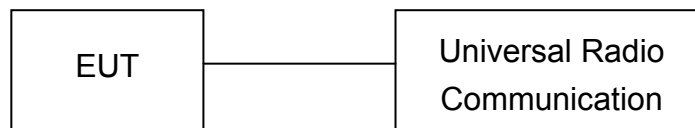
Operating Environment :

Temperature:	22.5 °C
Humidity:	52.1 % RH
Atmospheric Pressure:	101.2kPa

7.2 Test Procedure

Conducted method:

The RF output of the transmitter was connected to the wireless test set and the spectrum analyzer through sufficient attenuation.



Radiated method:

1. The setup of EUT is according with per TIA/EIA Standard 603D:2010.
2. The measurement antenna was placed at a distance of 3 meters from the EUT. During the tests, the antenna height and polarization as well as EUT azimuth were varied in order to identify the maximum level of emissions from the EUT. The test was performed by placing the EUT on 3-orthogonal axis.
3. The frequency range up to tenth harmonic of the fundamental frequency was investigated.
4. Remove the EUT and replace it with substitution antenna. A signal generator was connected to the substitution antenna by a non-radiating cable. The absolute levels of the spurious emissions were measured by the substitution.

7.3 Test Result

Conducted Power

LTE Band 2:

BW(MHz)	Ch	Freq(MHz)	Mode	UL RB Allocation	UL RB Offset	Average Power (dbm)	Tune up limited(dBm)	MPR (dB)
1.4MHz	18607	1850.7	QPSK	1	0	22.21	22.0±1	/
				1	2	22.23	22.0±1	/
				1	5	22.22	22.0±1	/
				3	0	22.32	22.0±1	/
				3	1	22.33	22.0±1	/
				3	2	22.23	22.0±1	/
			6	0	21.33	22.0±1	1.0	
			16QAM	1	0	22.76	22.0±1	1.0
				1	2	22.73	22.0±1	1.0
				1	5	22.75	22.0±1	1.0
				3	0	21.45	21.0±1	1.0
				3	1	21.43	21.0±1	1.0
	3	2		21.42	21.0±1	1.0		
	6	0	20.67	21.0±1	1.0			
	18900	1880	QPSK	1	0	22.11	22.0±1	/
				1	2	22.08	22.0±1	/
				1	5	22.02	22.0±1	/
				3	0	22.06	22.0±1	/
				3	1	22.12	22.0±1	/
				3	2	22.05	22.0±1	/
			6	0	21.12	22.0±1	1.0	
			16QAM	1	0	21.3	21.0±1	1.0
				1	2	21.36	21.0±1	1.0
				1	5	21.35	21.0±1	1.0
3				0	21.09	21.0±1	1.0	
3				1	21.09	21.0±1	1.0	
3	2	20.98		21.0±1	1.0			
6	0	20.05	21.0±1	1.0				
19193	1909.3	QPSK	1	0	22.16	22.0±1	/	
			1	2	22.17	22.0±1	/	
			1	5	22.21	22.0±1	/	
			3	0	22.15	22.0±1	/	
			3	1	22.17	22.0±1	/	
			3	2	22.14	22.0±1	/	
		6	0	21.2	22.0±1	1.0		
		16QAM	1	0	21.77	21.0±1	1.0	
			1	2	21.84	21.0±1	1.0	
			1	5	21.8	21.0±1	1.0	
			3	0	21.2	21.0±1	1.0	
			3	1	21.24	21.0±1	1.0	
3	2		21.22	21.0±1	1.0			
6	0	20.28	21.0±1	1.0				

BW(MHz)	Ch	Freq(MHz)	Mode	UL RB Allocation	UL RB Offset	Average Power (dbm)	Tune up limited(dBm)	MPR (dB)
3MHz	18615	1851.5	QPSK	1	0	22.35	22.0±1	/
				1	8	22.27	22.0±1	/
				1	14	22.3	22.0±1	/
				6	0	21.32	22.0±1	1.0
				6	4	21.29	22.0±1	1.0
				6	9	21.33	22.0±1	1.0
				15	0	21.36	22.0±1	1.0
			16QAM	1	0	22.49	22.0±1	1.0
				1	8	22.49	22.0±1	1.0
				1	14	22.47	22.0±1	1.0
				6	0	20.38	20.0±1	1.0
				6	4	20.38	20.0±1	1.0
				6	9	20.2	20.0±1	1.0
				15	0	20.54	20.0±1	1.0
	18900	1880	QPSK	1	0	22.04	22.0±1	/
				1	8	22.05	22.0±1	/
				1	14	22.07	22.0±1	/
				6	0	21.16	22.0±1	1.0
				6	4	21.14	22.0±1	1.0
				6	9	21.11	22.0±1	1.0
				15	0	21.1	22.0±1	1.0
			16QAM	1	0	21.37	21.0±1	1.0
				1	8	21.2	21.0±1	1.0
				1	14	21.31	21.0±1	1.0
				6	0	20.12	21.0±1	1.0
				6	4	20.3	21.0±1	1.0
				6	9	20.28	21.0±1	1.0
				15	0	20.09	21.0±1	1.0
	19185	1908.5	QPSK	1	0	22.18	22.0±1	/
				1	8	22.18	22.0±1	/
1				14	22.21	22.0±1	/	
6				0	21.19	22.0±1	1.0	
6				4	21.16	22.0±1	1.0	
6				9	21.16	22.0±1	1.0	
15				0	21.13	22.0±1	1.0	
16QAM			1	0	21.74	21.0±1	1.0	
			1	8	21.74	21.0±1	1.0	
			1	14	21.79	21.0±1	1.0	
			6	0	20.24	21.0±1	1.0	
			6	4	20.3	21.0±1	1.0	
			6	9	20.32	21.0±1	1.0	
			15	0	20.28	21.0±1	1.0	

BW(MHz)	Ch	Freq(MHz)	Mode	UL RB Allocation	UL RB Offset	Average Power (dbm)	Tune up limited(dBm)	MPR (dB)
5MHz	18625	1852.5	QPSK	1	0	22.29	22.0±1	/
				1	12	22.28	22.0±1	/
				1	24	22.2	22.0±1	/
				12	0	21.35	22.0±1	1.0
				12	6	21.3	22.0±1	1.0
				12	11	21.33	22.0±1	1.0
				25	0	21.37	22.0±1	1.0
			16QAM	1	0	21.57	21.0±1	1.0
				1	12	21.56	21.0±1	1.0
				1	24	21.63	21.0±1	1.0
				12	0	20.42	21.0±1	1.0
				12	6	20.36	21.0±1	1.0
				12	11	20.32	21.0±1	1.0
				25	0	20.5	21.0±1	1.0
	18900	1880	QPSK	1	0	22.21	22.0±1	/
				1	12	22.16	22.0±1	/
				1	24	22.19	22.0±1	/
				12	0	21.21	22.0±1	1.0
				12	6	21.17	22.0±1	1.0
				12	11	21.15	22.0±1	1.0
				25	0	21.04	22.0±1	1.0
			16QAM	1	0	21.9	21.0±1	1.0
				1	12	21.91	21.0±1	1.0
				1	24	21.86	21.0±1	1.0
				12	0	20.15	21.0±1	1.0
				12	6	20.2	21.0±1	1.0
				12	11	20.19	21.0±1	1.0
				25	0	20.22	21.0±1	1.0
	19175	1907.5	QPSK	1	0	22.06	22.0±1	/
				1	12	22.02	22.0±1	/
1				24	22	22.0±1	/	
12				0	21.16	22.0±1	1.0	
12				6	21.14	22.0±1	1.0	
12				11	21.18	22.0±1	1.0	
25				0	21.13	22.0±1	1.0	
16QAM			1	0	22.06	22.0±1	1.0	
			1	12	22.03	22.0±1	1.0	
			1	24	21.96	22.0±1	1.0	
			12	0	20.28	20.0±1	1.0	
			12	6	20.16	20.0±1	1.0	
			12	11	20.16	20.0±1	1.0	
			25	0	20.39	20.0±1	1.0	

BW(MHz)	Ch	Freq(MHz)	Mode	UL RB Allocation	UL RB Offset	Average Power (dbm)	Tune up limited(dBm)	MPR (dB)
10MHz	18650	1855	QPSK	1	0	22.25	22.0±1	/
				1	24	22.18	22.0±1	/
				1	49	22.26	22.0±1	/
				25	0	21.34	22.0±1	1.0
				25	12	21.33	22.0±1	1.0
				25	24	21.34	22.0±1	1.0
				50	0	21.33	22.0±1	1.0
			16QAM	1	0	22.49	22.0±1	1.0
				1	24	22.39	22.0±1	1.0
				1	49	22.44	22.0±1	1.0
				25	0	20.31	21.0±1	1.0
				25	12	20.31	21.0±1	1.0
				25	24	20.37	21.0±1	1.0
				50	0	20.37	21.0±1	1.0
	18900	1880	QPSK	1	0	22.05	22.0±1	/
				1	24	22.03	22.0±1	/
				1	49	22.09	22.0±1	/
				25	0	21.15	22.0±1	1.0
				25	12	21.02	22.0±1	1.0
				25	24	21.18	22.0±1	1.0
				50	0	21.06	22.0±1	1.0
			16QAM	1	0	22.52	22.0±1	1.0
				1	24	22.57	22.0±1	1.0
				1	49	22.56	22.0±1	1.0
				25	0	20.28	20.0±1	1.0
				25	12	20.14	20.0±1	1.0
				25	24	20.25	20.0±1	1.0
				50	0	20.13	20.0±1	1.0
	19150	1905	QPSK	1	0	22.14	22.0±1	/
				1	24	22.17	22.0±1	/
1				49	22.15	22.0±1	/	
25				0	21.17	22.0±1	1.0	
25				12	21.12	22.0±1	1.0	
25				24	21.16	22.0±1	1.0	
50				0	21.21	22.0±1	1.0	
16QAM			1	0	22.03	22.0±1	1.0	
			1	24	22	22.0±1	1.0	
			1	49	21.89	22.0±1	1.0	
			25	0	20.43	20.0±1	1.0	
			25	12	20.51	20.0±1	1.0	
			25	24	20.39	20.0±1	1.0	
			50	0	20.2	20.0±1	1.0	

BW(MHz)	Ch	Freq(MHz)	Mode	UL RB Allocation	UL RB Offset	Average Power (dbm)	Tune up limited(dBm)	MPR (dB)
15MHz	18675	1857.5	QPSK	1	0	22.24	21.0±1	/
				1	37	22.21	21.0±1	/
				1	74	22.07	21.0±1	/
				36	0	21.3	21.0±1	1.0
				36	16	21.3	21.0±1	1.0
				36	35	21.32	21.0±1	1.0
				75	0	21.2	21.0±1	1.0
			16QAM	1	0	22.46	22.0±1	1.0
				1	37	22.46	22.0±1	1.0
				1	74	22.32	22.0±1	1.0
				36	0	20.3	20.0±1	1.0
				36	16	20.37	20.0±1	1.0
				36	35	20.35	20.0±1	1.0
				75	0	20.36	20.0±1	1.0
	18900	1880	QPSK	1	0	22.09	22.0±1	/
				1	37	21.99	22.0±1	/
				1	74	22.09	22.0±1	/
				36	0	21.19	22.0±1	1.0
				36	16	21.14	22.0±1	1.0
				36	35	21.13	22.0±1	1.0
				75	0	21.15	22.0±1	1.0
			16QAM	1	0	22.57	22.0±1	1.0
				1	37	22.54	22.0±1	1.0
				1	74	22.58	22.0±1	1.0
				36	0	20.31	20.0±1	1.0
				36	16	20.3	20.0±1	1.0
				36	35	20.2	20.0±1	1.0
75				0	20.07	20.0±1	1.0	
19125	1902.5	QPSK	1	0	22.08	22.0±1	/	
			1	37	21.96	22.0±1	/	
			1	74	21.95	22.0±1	/	
			36	0	21.11	22.0±1	1.0	
			36	16	21.16	22.0±1	1.0	
			36	35	21.19	22.0±1	1.0	
			75	0	21.18	22.0±1	1.0	
		16QAM	1	0	22.57	22.0±1	1.0	
			1	37	22.58	22.0±1	1.0	
			1	74	22.42	22.0±1	1.0	
			36	0	20.27	20.0±1	1.0	
			36	16	20.26	20.0±1	1.0	
			36	35	20.26	20.0±1	1.0	
			75	0	20.29	20.0±1	1.0	

BW(MHz)	Ch	Freq(MHz)	Mode	UL RB Allocation	UL RB Offset	Average Power (dbm)	Tune up limited(dBm)	MPR (dB)
20MHz	18700	1860	QPSK	1	0	22.41	22.0±1	/
				1	49	22.37	22.0±1	/
				1	99	22.27	22.0±1	/
				50	0	21.34	22.0±1	1.0
				50	24	21.24	22.0±1	1.0
				50	49	21.24	22.0±1	1.0
			16QAM	100	0	21.23	22.0±1	1.0
				1	0	22.1	22.0±1	1.0
				1	49	22.02	22.0±1	1.0
				1	99	21.99	22.0±1	1.0
				50	0	20.42	20.0±1	1.0
				50	24	20.35	20.0±1	1.0
	18900	1880	QPSK	50	49	20.34	20.0±1	1.0
				100	0	20.4	20.0±1	1.0
				1	0	22.27	22.0±1	/
				1	49	22.74	22.0±1	/
				1	99	22.83	22.0±1	/
				50	0	21.14	22.0±1	1.0
			16QAM	50	24	21.15	22.0±1	1.0
				50	49	21.18	22.0±1	1.0
				100	0	21.04	22.0±1	1.0
				1	0	21.44	21.0±1	1.0
				1	49	21.45	21.0±1	1.0
				1	99	21.61	21.0±1	1.0
	19100	1900	QPSK	50	0	20.17	21.0±1	1.0
				50	24	20.13	21.0±1	1.0
				50	49	20.28	21.0±1	1.0
				100	0	20.11	21.0±1	1.0
				1	0	22.2	22.0±1	/
				1	49	22.17	22.0±1	/
16QAM			1	99	22.06	22.0±1	/	
			50	0	21.2	22.0±1	1.0	
			50	24	21.09	22.0±1	1.0	
			50	49	21.16	22.0±1	1.0	
			100	0	21.1	22.0±1	1.0	
			1	0	22.14	22.0±1	1.0	
16QAM	1	49	22.03	22.0±1	1.0			
	1	99	21.97	21.0±1	1.0			
	50	0	20.13	20.0±1	1.0			
	50	24	20.13	20.0±1	1.0			
	50	49	20.21	20.0±1	1.0			
	100	0	20.24	20.0±1	1.0			

LTE Band 4:

BW(MHz)	Ch	Freq(MHz)	Mode	UL RB Allocation	UL RB Offset	Average Power (dbm)	Tune up limited(dBm)	MPR (dB)
1.4MHz	19957	1710.7	QPSK	1	0	23.13	23.0±1	/
				1	2	23.1	23.0±1	/
				1	5	23.17	23.0±1	/
				3	0	23.16	23.0±1	/
				3	1	23.11	23.0±1	/
				3	2	23.14	23.0±1	/
			16QAM	6	0	22.25	23.0±1	1.0
				1	0	23.60	23.0±1	1.0
				1	2	23.63	23.0±1	1.0
				1	5	23.62	23.0±1	1.0
				3	0	22.38	23.0±1	1.0
				3	1	22.35	23.0±1	1.0
	20175	1732.5	QPSK	3	2	22.35	23.0±1	1.0
				6	0	21.53	21.0±1	1.0
				1	0	23.14	23.0±1	/
				1	2	23.11	23.0±1	/
				1	5	23.13	23.0±1	/
				3	0	23.01	23.0±1	/
			16QAM	3	1	23.08	23.0±1	/
				3	2	23.08	23.0±1	/
				6	0	22.15	23.0±1	1.0
				1	0	22.84	22.0±1	1.0
				1	2	22.84	22.0±1	1.0
				1	5	22.85	22.0±1	1.0
	20393	1754.3	QPSK	3	0	22.16	22.0±1	1.0
				3	1	22.17	22.0±1	1.0
				3	2	22.22	22.0±1	1.0
6				0	21.15	22.0±1	1.0	
1				0	23.12	23.0±1	/	
1				2	23.16	23.0±1	/	
16QAM			1	5	23.16	23.0±1	/	
			3	0	23.03	23.0±1	/	
			3	1	23.08	23.0±1	/	
			3	2	23.08	23.0±1	/	
			6	0	22.06	23.0±1	1.0	
			1	0	22.38	23.0±1	1.0	
16QAM	1	2	22.28	23.0±1	1.0			
	1	5	22.32	23.0±1	1.0			
	3	0	22.07	23.0±1	1.0			
	3	1	22.07	23.0±1	1.0			
	3	2	22.15	23.0±1	1.0			
	6	0	21.03	21.0±1	1.0			

BW(MHz)	Ch	Freq(MHz)	Mode	UL RB Allocation	UL RB Offset	Average Power (dbm)	Tune up limited(dBm)	MPR (dB)
3MHz	19965	1711.5	QPSK	1	0	23.21	23.0±1	/
				1	8	23.16	23.0±1	/
				1	14	23.09	23.0±1	/
				6	0	22.18	23.0±1	1.0
				6	4	22.26	23.0±1	1.0
				6	9	22.03	23.0±1	1.0
				15	0	22.29	23.0±1	1.0
			16QAM	1	0	23.42	23.0±1	1.0
				1	8	23.36	23.0±1	1.0
				1	14	23.34	23.0±1	1.0
				8	0	21.23	22.0±1	1.0
				8	4	21.16	22.0±1	1.0
				8	9	21.16	22.0±1	1.0
				15	0	21.42	22.0±1	1.0
	20175	1732.5	QPSK	1	0	23.17	23.0±1	/
				1	8	23.16	23.0±1	/
				1	14	23.16	23.0±1	/
				6	0	22.13	23.0±1	1.0
				6	4	22.2	23.0±1	1.0
				6	9	22.17	23.0±1	1.0
				15	0	22.16	23.0±1	1.0
			16QAM	1	0	22.83	22.0±1	1.0
				1	8	22.83	22.0±1	1.0
				1	14	22.84	22.0±1	1.0
				6	0	21.34	22.0±1	1.0
				6	4	21.33	22.0±1	1.0
				6	9	21.31	22.0±1	1.0
				15	0	21.25	22.0±1	1.0
	20385	1753.5	QPSK	1	0	23.17	23.0±1	/
				1	8	23.14	23.0±1	/
1				14	23.21	23.0±1	/	
6				0	22.1	23.0±1	1.0	
6				4	22.12	23.0±1	1.0	
6				9	22.08	23.0±1	1.0	
15				0	22.08	23.0±1	1.0	
16QAM			1	0	23.15	23.0±1	1.0	
			1	8	23.08	23.0±1	1.0	
			1	14	23.19	23.0±1	1.0	
			8	0	21.16	22.0±1	1.0	
			8	4	21.12	22.0±1	1.0	
			8	9	21.16	22.0±1	1.0	
			15	0	21.03	22.0±1	1.0	

BW(MHz)	Ch	Freq(MHz)	Mode	UL RB Allocation	UL RB Offset	Average Power (dbm)	Tune up limited(dBm)	MPR (dB)
5MHz	19975	1712.5	QPSK	1	0	23.21	23.0±1	/
				1	49	23.16	23.0±1	/
				1	99	23.05	23.0±1	/
				12	0	22.2	23.0±1	1.0
				12	24	22.17	23.0±1	1.0
				12	49	22.15	23.0±1	1.0
			16QAM	25	0	22.19	23.0±1	1.0
				1	0	22.43	22.0±1	1.0
				1	49	22.35	22.0±1	1.0
				1	99	22.42	22.0±1	1.0
				12	0	21.3	22.0±1	1.0
				12	24	21.16	22.0±1	1.0
	20175	1732.5	QPSK	12	49	21.2	22.0±1	1.0
				25	0	21.36	22.0±1	1.0
				1	0	23.19	23.0±1	/
				1	49	23.21	23.0±1	/
				1	99	23.28	23.0±1	/
				12	0	22.16	23.0±1	1.0
			16QAM	12	24	22.23	23.0±1	1.0
				12	49	22.11	23.0±1	1.0
				25	0	22.09	23.0±1	1.0
				1	0	22.91	22.0±1	1.0
				1	49	22.91	22.0±1	1.0
				1	99	22.94	22.0±1	1.0
	20375	1752.5	QPSK	12	0	21.12	22.0±1	1.0
				12	24	21.2	22.0±1	1.0
				12	49	21.18	22.0±1	1.0
				25	0	21.28	22.0±1	1.0
				1	0	22.81	22.0±1	/
				1	49	22.92	22.0±1	/
16QAM			1	99	22.87	22.0±1	/	
			12	0	22.09	22.0±1	1.0	
			12	24	22.02	22.0±1	1.0	
			12	49	22.15	22.0±1	1.0	
			25	0	22.18	22.0±1	1.0	
			1	0	23.04	23.0±1	1.0	
16QAM	1	49	23.02	23.0±1	1.0			
	1	99	23.02	23.0±1	1.0			
	12	0	21.02	21.0±1	1.0			
	12	24	21.13	21.0±1	1.0			
	12	49	21.02	21.0±1	1.0			
	25	0	21.27	21.0±1	1.0			

BW(MHz)	Ch	Freq(MHz)	Mode	UL RB Allocation	UL RB Offset	Average Power (dbm)	Tune up limited(dBm)	MPR (dB)
10MHz	20000	1715	QPSK	1	0	23.07	23.0±1	/
				1	49	22.96	23.0±1	/
				1	99	23.04	23.0±1	/
				25	0	22.21	23.0±1	1.0
				25	24	22.07	23.0±1	1.0
				25	49	22.1	23.0±1	1.0
			16QAM	50	0	22.22	23.0±1	1.0
				1	0	23.31	23.0±1	1.0
				1	49	23.17	23.0±1	1.0
				1	99	23.16	23.0±1	1.0
				25	0	21.15	21.0±1	1.0
				25	24	21.25	21.0±1	1.0
	20175	1732.5	QPSK	25	49	21.2	21.0±1	1.0
				50	0	21.2	21.0±1	1.0
				1	0	22.89	23.0±1	/
				1	49	23.06	23.0±1	/
				1	99	23.11	23.0±1	/
				25	0	22.11	23.0±1	1.0
			16QAM	25	24	22.16	23.0±1	1.0
				25	49	22.09	23.0±1	1.0
				50	0	22.14	23.0±1	1.0
				1	0	23.41	23.0±1	1.0
				1	49	23.5	23.0±1	1.0
				1	99	23.49	23.0±1	1.0
	20350	1750	QPSK	25	0	21.24	21.0±1	1.0
				25	24	21.3	21.0±1	1.0
				25	49	21.26	21.0±1	1.0
				50	0	21.3	21.0±1	1.0
				1	0	23.12	23.0±1	/
				1	49	23.14	23.0±1	/
16QAM			1	99	23.15	23.0±1	/	
			25	0	22.07	23.0±1	1.0	
			25	24	22.05	23.0±1	1.0	
			25	49	22.13	23.0±1	1.0	
			50	0	22.12	23.0±1	1.0	
			1	0	23.47	23.0±1	1.0	
16QAM	1	49	23.57	23.0±1	1.0			
	1	99	23.56	23.0±1	1.0			
	25	0	21.26	21.0±1	1.0			
	25	24	21.32	21.0±1	1.0			
	25	49	21.27	21.0±1	1.0			
	50	0	21.14	21.0±1	1.0			

BW(MHz)	Ch	Freq(MHz)	Mode	UL RB Allocation	UL RB Offset	Average Power (dbm)	Tune up limited(dBm)	MPR (dB)
15MHz	20025	1717.5	QPSK	1	0	23.08	23.0±1	/
				1	49	22.99	23.0±1	/
				1	99	23.01	23.0±1	/
				36	0	22.12	23.0±1	1.0
				36	24	22.06	23.0±1	1.0
				36	49	22.14	23.0±1	1.0
				75	0	22.14	23.0±1	1.0
			16QAM	1	0	23.3	23.0±1	1.0
				1	49	23.23	23.0±1	1.0
				1	99	23.22	23.0±1	1.0
				36	0	21.26	21.0±1	1.0
				36	24	21.21	21.0±1	1.0
				36	49	21.14	21.0±1	1.0
				75	0	21.22	21.0±1	1.0
	20175	1732.5	QPSK	1	0	23.02	23.0±1	/
				1	49	23.02	23.0±1	/
				1	99	23.11	23.0±1	/
				36	0	22.1	23.0±1	1.0
				36	24	22.21	23.0±1	1.0
				36	49	22.11	23.0±1	1.0
				75	0	22.18	23.0±1	1.0
			16QAM	1	0	23.36	23.0±1	1.0
				1	49	23.47	23.0±1	1.0
				1	99	23.42	23.0±1	1.0
				36	0	21.24	21.0±1	1.0
				36	24	21.34	21.0±1	1.0
				36	49	21.27	21.0±1	1.0
75				0	21.28	21.0±1	1.0	
20325	1747.5	QPSK	1	0	23.08	23.0±1	/	
			1	49	23.07	23.0±1	/	
			1	99	23.03	23.0±1	/	
			36	0	22.15	23.0±1	1.0	
			36	24	22.18	23.0±1	1.0	
			36	49	22.17	23.0±1	1.0	
			75	0	22.1	23.0±1	1.0	
		16QAM	1	0	23.52	23.0±1	1.0	
			1	49	23.65	23.0±1	1.0	
			1	99	23.68	23.0±1	1.0	
			36	0	21.16	21.0±1	1.0	
			36	24	21.09	21.0±1	1.0	
			36	49	21.06	21.0±1	1.0	
			75	0	21.19	21.0±1	1.0	

BW(MHz)	Ch	Freq(MHz)	Mode	UL RB Allocation	UL RB Offset	Average Power (dbm)	Tune up limited(dBm)	MPR (dB)
20MHz	20050	1720	QPSK	1	0	23.22	23.0±1	/
				1	49	23.13	23.0±1	/
				1	99	23.69	23.0±1	/
				50	0	22.12	23.0±1	1.0
				50	24	22.05	23.0±1	1.0
				50	49	22.2	23.0±1	1.0
				100	0	22.18	23.0±1	1.0
			16QAM	1	0	22.94	22.0±1	1.0
				1	49	22.87	22.0±1	1.0
				1	99	22.88	22.0±1	1.0
				50	0	21.26	22.0±1	1.0
				50	24	21.2	22.0±1	1.0
				50	49	21.27	22.0±1	1.0
				100	0	21.14	22.0±1	1.0
	20175	1732.5	QPSK	1	0	23.16	23.0±1	/
				1	49	23.28	23.0±1	/
				1	99	23.27	23.0±1	/
				50	0	22.14	23.0±1	1.0
				50	24	22.17	23.0±1	1.0
				50	49	22.04	23.0±1	1.0
				100	0	22.12	23.0±1	1.0
			16QAM	1	0	22.86	22.0±1	1.0
				1	49	22.95	22.0±1	1.0
				1	99	22.9	22.0±1	1.0
				50	0	21.12	22.0±1	1.0
				50	24	21.31	22.0±1	1.0
				50	49	21.21	22.0±1	1.0
				100	0	21.24	22.0±1	1.0
	20300	1745	QPSK	1	0	23.07	23.0±1	/
				1	49	23.16	23.0±1	/
1				99	23.06	23.0±1	/	
50				0	22.06	23.0±1	1.0	
50				24	22.05	23.0±1	1.0	
50				49	22.13	23.0±1	1.0	
100				0	22.17	23.0±1	1.0	
16QAM			1	0	23.07	23.0±1	1.0	
			1	49	23.11	23.0±1	1.0	
			1	99	23.09	23.0±1	1.0	
			50	0	21.16	21.0±1	1.0	
			50	24	21.21	21.0±1	1.0	
			50	49	21.24	21.0±1	1.0	
			100	0	21.19	21.0±1	1.0	

LTE Band 5:

BW(MHz)	Ch	Freq(MHz)	Mode	UL RB Allocation	UL RB Offset	Average Power (dbm)	Tune up limited(dBm)	MPR (dB)
1.4MHz	20407	824.7	QPSK	1	0	22.49	22.0±1	/
				1	2	22.63	22.0±1	/
				1	5	22.51	22.0±1	/
				3	0	22.54	22.0±1	/
				3	1	22.57	22.0±1	/
				3	2	22.54	22.0±1	/
			6	0	21.61	22.0±1	1.0	
			16QAM	1	0	21.6	21.0±1	1.0
				1	2	21.78	21.0±1	1.0
				1	5	21.63	21.0±1	1.0
				3	0	21.65	21.0±1	1.0
				3	1	21.68	21.0±1	1.0
	3	2		21.65	21.0±1	1.0		
	6	0	20.7	21.0±1	1.0			
	20525	836.5	QPSK	1	0	22.54	22.0±1	/
				1	2	22.72	22.0±1	/
				1	5	22.51	22.0±1	/
				3	0	22.64	22.0±1	/
				3	1	22.62	22.0±1	/
				3	2	22.57	22.0±1	/
			6	0	21.65	22.0±1	1.0	
			16QAM	1	0	21.97	21.5±1	1.0
				1	2	22.1	21.5±1	1.0
				1	5	21.9	21.5±1	1.0
				3	0	21.87	21.5±1	1.0
				3	1	21.88	21.5±1	1.0
	3	2		21.87	21.5±1	1.0		
	6	0	20.55	21.5±1	1.0			
	20634	848.3	QPSK	1	0	22.48	22.0±1	/
				1	2	22.68	22.0±1	/
				1	5	22.51	22.0±1	/
				3	0	22.61	22.0±1	/
				3	1	22.68	22.0±1	/
				3	2	22.58	22.0±1	/
			6	0	21.52	22.0±1	1.0	
			16QAM	1	0	21.47	21.0±1	1.0
1				2	21.66	21.0±1	1.0	
1				5	21.49	21.0±1	1.0	
3				0	21.76	21.0±1	1.0	
3				1	21.77	21.0±1	1.0	
3	2	21.73		21.0±1	1.0			
6	0	20.77	21.0±1	1.0				

BW(MHz)	Ch	Freq(MHz)	Mode	UL RB Allocation	UL RB Offset	Average Power (dbm)	Tune up limited(dBm)	MPR (dB)
3MHz	20415	825.5	QPSK	1	0	22.55	22.0±1	/
				1	8	22.53	22.0±1	/
				1	14	22.5	22.0±1	/
				6	0	21.63	22.0±1	1.0
				6	4	21.68	22.0±1	1.0
				6	9	21.6	22.0±1	1.0
			16QAM	15	0	21.58	22.0±1	1.0
				1	0	21.51	21.0±1	1.0
				1	8	21.51	21.0±1	1.0
				1	14	21.56	21.0±1	1.0
				8	0	20.7	21.0±1	1.0
				8	4	20.75	21.0±1	1.0
				8	9	20.68	21.0±1	1.0
				15	0	20.59	21.0±1	1.0
				20525	836.5	QPSK	1	0
	1	8	22.57				22.0±1	/
	1	14	22.54				22.0±1	/
	6	0	21.65				22.0±1	1.0
	6	4	21.69				22.0±1	1.0
	6	9	21.65				22.0±1	1.0
	16QAM	15	0			21.63	22.0±1	1.0
		1	0			22	21.0±1	1.0
		1	8			21.96	21.0±1	1.0
		1	14			21.91	21.0±1	1.0
		6	0			20.76	20.0±1	1.0
		6	4			20.75	20.0±1	1.0
		6	9			20.7	20.0±1	1.0
		15	0			20.64	20.0±1	1.0
		20635	847.5			QPSK	1	0
	1			8	22.56		22.0±1	/
1	14			22.56	22.0±1		/	
6	0			21.54	22.0±1		1.0	
6	4			21.54	22.0±1		1.0	
6	9			21.49	22.0±1		1.0	
16QAM	15			0	21.53	22.0±1	1.0	
	1			0	21.63	21.0±1	1.0	
	1			8	21.51	21.0±1	1.0	
	1			14	21.48	21.0±1	1.0	
	8			0	20.63	21.0±1	1.0	
	8			4	20.67	21.0±1	1.0	
	8			9	20.62	21.0±1	1.0	
	15			0	20.58	21.0±1	1.0	

BW(MHz)	Ch	Freq(MHz)	Mode	UL RB Allocation	UL RB Offset	Average Power (dbm)	Tune up limited(dBm)	MPR (dB)
5MHz	20425	826.5	QPSK	1	0	22.43	22.0±1	/
				1	49	22.61	22.0±1	/
				1	99	22.5	22.0±1	/
				12	0	21.56	22.0±1	1.0
				12	24	21.66	22.0±1	1.0
				12	49	21.52	22.0±1	1.0
				25	0	21.54	22.0±1	1.0
			16QAM	1	0	21.66	21.0±1	1.0
				1	49	21.82	21.0±1	1.0
				1	99	21.73	21.0±1	1.0
				12	0	20.62	21.0±1	1.0
				12	24	20.73	21.0±1	1.0
				12	49	20.61	21.0±1	1.0
				25	0	20.59	21.0±1	1.0
	20525	836.5	QPSK	1	0	22.57	22.0±1	/
				1	49	22.59	22.0±1	/
				1	99	22.46	22.0±1	/
				12	0	21.6	22.0±1	1.0
				12	24	21.7	22.0±1	1.0
				12	49	21.63	22.0±1	1.0
				25	0	21.66	22.0±1	1.0
			16QAM	1	0	22.1	22.0±1	1.0
				1	49	22.14	22.0±1	1.0
				1	99	21.96	21.0±1	1.0
				12	0	20.73	21.0±1	1.0
				12	24	20.83	21.0±1	1.0
				12	49	20.81	21.0±1	1.0
				25	0	20.71	21.0±1	1.0
	20625	846.5	QPSK	1	0	22.36	22.0±1	/
				1	49	22.55	22.0±1	/
1				99	22.46	22.0±1	/	
12				0	21.58	22.0±1	1.0	
12				24	21.57	22.0±1	1.0	
12				49	21.43	22.0±1	1.0	
25				0	21.6	22.0±1	1.0	
16QAM			1	0	21.53	21.0±1	1.0	
			1	49	21.66	21.0±1	1.0	
			1	99	21.53	21.0±1	1.0	
			12	0	20.7	21.0±1	1.0	
			12	24	20.66	21.0±1	1.0	
			12	49	20.52	21.0±1	1.0	
			25	0	20.52	21.0±1	1.0	

BW(MHz)	Ch	Freq(MHz)	Mode	UL RB Allocation	UL RB Offset	Average Power (dbm)	Tune up limited(dBm)	MPR (dB)
10MHz	20450	829	QPSK	1	0	22.5	22.0±1	/
				1	49	22.82	22.0±1	/
				1	99	22.56	22.0±1	/
				25	0	21.83	22.0±1	1.0
				25	24	21.72	22.0±1	1.0
				25	49	21.61	22.0±1	1.0
				50	0	21.72	22.0±1	1.0
			16QAM	1	0	21.48	21.0±1	1.0
				1	49	21.82	21.0±1	1.0
				1	99	21.57	21.0±1	1.0
				25	0	20.83	21.0±1	1.0
				25	24	20.7	21.0±1	1.0
				25	49	20.56	21.0±1	1.0
				50	0	20.75	21.0±1	1.0
	20525	836.5	QPSK	1	0	22.6	22.0±1	/
				1	49	22.72	22.0±1	/
				1	99	22.44	22.0±1	/
				25	0	21.7	22.0±1	1.0
				25	24	21.68	22.0±1	1.0
				25	49	21.83	22.0±1	1.0
				50	0	21.78	22.0±1	1.0
			16QAM	1	0	22.08	21.0±1	1.0
				1	49	22.11	21.0±1	1.0
				1	99	21.83	21.0±1	1.0
				25	0	20.73	20.0±1	1.0
				25	24	20.72	20.0±1	1.0
				25	49	20.85	20.0±1	1.0
				50	0	20.77	20.0±1	1.0
	20600	844	QPSK	1	0	22.42	22.0±1	/
				1	49	22.55	22.0±1	/
1				99	22.44	22.0±1	/	
25				0	21.46	22.0±1	1.0	
25				24	21.51	22.0±1	1.0	
25				49	21.34	22.0±1	1.0	
50				0	21.37	22.0±1	1.0	
16QAM			1	0	21.45	21.0±1	1.0	
			1	49	21.61	21.0±1	1.0	
			1	99	21.48	21.0±1	1.0	
			25	0	20.53	21.0±1	1.0	
			25	24	20.62	21.0±1	1.0	
			25	49	20.44	21.0±1	1.0	
			50	0	20.43	21.0±1	1.0	

LTE Band 7:

BW(MHz)	Ch	Freq(MHz)	Mode	UL RB Allocation	UL RB Offset	Average Power (dbm)	Tune up limited(dBm)	MPR (dB)
5MHz	20775	2502.5	QPSK	1	0	21.47	21.0±1	/
				1	49	21.55	21.0±1	/
				1	99	21.61	21.0±1	/
				12	0	20.58	21.0±1	1.0
				12	24	20.62	21.0±1	1.0
				12	49	20.63	21.0±1	1.0
			16QAM	25	0	20.52	21.0±1	1.0
				1	0	20.92	20.5±1	1.0
				1	49	20.95	20.5±1	1.0
				1	99	21.08	20.5±1	1.0
				12	0	19.65	20.5±1	1.0
				12	24	19.74	20.5±1	1.0
	21100	2535	QPSK	12	49	19.79	20.5±1	1.0
				25	0	19.89	20.5±1	1.0
				1	0	21.87	21.0±1	/
				1	49	21.79	21.0±1	/
				1	99	21.94	21.0±1	/
				12	0	20.91	21.0±1	1.0
			16QAM	12	24	21.01	21.0±1	1.0
				12	49	20.97	21.0±1	1.0
				25	0	21.04	21.0±1	1.0
				1	0	21.93	21.0±1	1.0
				1	49	21.87	21.0±1	1.0
				1	99	21.95	21.0±1	1.0
	21425	2567.5	QPSK	12	0	20.05	21.0±1	1.0
				12	24	20.01	21.0±1	1.0
				12	49	20.03	21.0±1	1.0
25				0	20.2	21.0±1	1.0	
1				0	22.15	22.0±1	/	
1				49	22.1	22.0±1	/	
16QAM			1	99	22.2	22.0±1	/	
			12	0	21.28	22.0±1	1.0	
			12	24	21.26	22.0±1	1.0	
			12	49	21.34	22.0±1	1.0	
			25	0	21.27	22.0±1	1.0	
			1	0	21.97	21.0±1	1.0	
16QAM	1	49	21.77	21.0±1	1.0			
	1	99	21.87	21.0±1	1.0			
	12	0	20.35	21.0±1	1.0			
	12	24	20.37	21.0±1	1.0			
	12	49	20.33	21.0±1	1.0			
	25	0	20.43	21.0±1	1.0			

BW(MHz)	Ch	Freq(MHz)	Mode	UL RB Allocation	UL RB Offset	Average Power (dbm)	Tune up limited(dBm)	MPR (dB)
10MHz	20800	2505	QPSK	1	0	21.51	21.0±1	/
				1	49	21.54	21.0±1	/
				1	99	21.7	21.0±1	/
				25	0	20.67	21.0±1	1.0
				25	24	20.72	21.0±1	1.0
				25	49	20.75	21.0±1	1.0
			16QAM	50	0	20.74	21.0±1	1.0
				1	0	21.71	21.0±1	1.0
				1	49	21.8	21.0±1	1.0
				1	99	21.88	21.0±1	1.0
				25	0	19.72	20.0±1	1.0
				25	24	19.79	20.0±1	1.0
	21100	2535	QPSK	25	49	19.79	20.0±1	1.0
				50	0	19.82	20.0±1	1.0
				1	0	22	21.5±1	/
				1	49	22.06	21.5±1	/
				1	99	22.07	21.5±1	/
				25	0	20.96	21.5±1	1.0
			16QAM	25	24	21.01	21.5±1	1.0
				25	49	21.04	21.5±1	1.0
				50	0	21.03	21.5±1	1.0
				1	0	22.49	22.0±1	1.0
				1	49	22.5	22.0±1	1.0
				1	99	22.57	22.0±1	1.0
	21400	2565	QPSK	25	0	20.2	20.0±1	1.0
				25	24	20.21	20.0±1	1.0
				25	49	20.24	20.0±1	1.0
				50	0	20.2	20.0±1	1.0
				1	0	22.23	22.0±1	/
				1	49	22.28	22.0±1	/
16QAM			1	99	22.27	22.0±1	/	
			25	0	21.29	22.0±1	1.0	
			25	24	21.3	22.0±1	1.0	
			25	49	21.32	22.0±1	1.0	
			50	0	21.27	22.0±1	1.0	
			1	0	22.29	21.5±1	1.0	
16QAM	1	49	22.26	21.5±1	1.0			
	1	99	22.31	21.5±1	1.0			
	25	0	20.51	21.5±1	1.0			
	25	24	20.5	21.5±1	1.0			
	25	49	20.59	21.5±1	1.0			
	50	0	20.34	21.5±1	1.0			

BW(MHz)	Ch	Freq(MHz)	Mode	UL RB Allocation	UL RB Offset	Average Power (dbm)	Tune up limited(dBm)	MPR (dB)
15MHz	20825	2507.5	QPSK	1	0	21.51	21.0±1	/
				1	49	21.63	21.0±1	/
				1	99	21.77	21.0±1	/
				36	0	20.77	21.0±1	1.0
				36	24	20.69	21.0±1	1.0
				36	49	20.84	21.0±1	1.0
				75	0	20.68	21.0±1	1.0
			16QAM	1	0	21.73	21.5±1	1.0
				1	49	21.91	21.5±1	1.0
				1	99	22.02	21.5±1	1.0
				36	0	19.88	19.0±1	1.0
				36	24	19.84	19.0±1	1.0
				36	49	19.94	19.0±1	1.0
				75	0	19.78	19.0±1	1.0
	21100	2535	QPSK	1	0	21.89	22.0±1	/
				1	49	21.96	22.0±1	/
				1	99	22.04	22.0±1	/
				36	0	21.06	22.0±1	1.0
				36	24	21	22.0±1	1.0
				36	49	21.09	22.0±1	1.0
				75	0	21.1	22.0±1	1.0
			16QAM	1	0	22.4	22.0±1	1.0
				1	49	22.49	22.0±1	1.0
				1	99	22.52	22.0±1	1.0
				36	0	20.26	20.0±1	1.0
				36	24	20.25	20.0±1	1.0
				36	49	20.3	20.0±1	1.0
75				0	20.11	20.0±1	1.0	
21375	2562.5	QPSK	1	0	22.14	22.0±1	/	
			1	49	22.27	22.0±1	/	
			1	99	22.08	22.0±1	/	
			36	0	21.36	22.0±1	1.0	
			36	24	21.32	22.0±1	1.0	
			36	49	21.34	22.0±1	1.0	
			75	0	21.22	22.0±1	1.0	
		16QAM	1	0	23.02	23.0±1	1.0	
			1	49	22.98	23.0±1	1.0	
			1	99	23	23.0±1	1.0	
			36	0	20.33	20.0±1	1.0	
			36	24	20.32	20.0±1	1.0	
			36	49	20.31	20.0±1	1.0	
			75	0	20.38	20.0±1	1.0	

BW(MHz)	Ch	Freq(MHz)	Mode	UL RB Allocation	UL RB Offset	Average Power (dbm)	Tune up limited(dBm)	MPR (dB)
20MHz	20850	2510	QPSK	1	0	21.59	21.0±1	/
				1	49	21.75	21.0±1	/
				1	99	21.91	21.0±1	/
				50	0	20.67	21.0±1	1.0
				50	24	20.75	21.0±1	1.0
				50	49	20.86	21.0±1	1.0
			16QAM	100	0	20.8	21.0±1	1.0
				1	0	21.51	21.0±1	1.0
				1	49	21.72	21.0±1	1.0
				1	99	21.85	21.0±1	1.0
				50	0	19.88	19.0±1	1.0
				50	24	19.91	19.0±1	1.0
	21100	2535	QPSK	50	49	19.99	19.0±1	1.0
				100	0	19.83	19.0±1	1.0
				1	0	23.00	22.1±1	/
				1	49	23.05	22.1±1	/
				1	99	22.47	22.1±1	/
				50	0	21.07	22.1±1	1.0
			16QAM	50	24	21.13	22.1±1	1.0
				50	49	21.12	22.1±1	1.0
				100	0	21.15	22.1±1	1.0
				1	0	21.74	21.0±1	1.0
				1	49	21.84	21.0±1	1.0
				1	99	21.88	21.0±1	1.0
	21350	2560	QPSK	50	0	20.18	21.0±1	1.0
				50	24	20.23	21.0±1	1.0
				50	49	20.22	21.0±1	1.0
				100	0	20.15	21.0±1	1.0
				1	0	22.3	22.0±1	/
				1	49	22.18	22.0±1	/
16QAM			1	99	22.22	22.0±1	/	
			50	0	21.26	22.0±1	1.0	
			50	24	21.33	22.0±1	1.0	
			50	49	21.22	22.0±1	1.0	
			100	0	21.32	22.0±1	1.0	
			1	0	21.82	21.0±1	1.0	
16QAM	1	49	21.87	21.0±1	1.0			
	1	99	21.82	21.0±1	1.0			
	50	0	20.29	21.0±1	1.0			
	50	24	20.26	21.0±1	1.0			
	50	49	20.3	21.0±1	1.0			
	100	0	20.3	21.0±1	1.0			

LTE Band 12:

BW(MHz)	Ch	Freq(MHz)	Mode	UL RB Allocation	UL RB Offset	Average Power (dbm)	Tune up limited(dBm)	MPR (dB)
1.4MHz	23017	699.7	QPSK	1	0	22.22	22.0±1	/
				1	2	22.33	22.0±1	/
				1	5	22.16	22.0±1	/
				3	0	22.37	22.0±1	/
				3	1	22.38	22.0±1	/
				3	2	22.32	22.0±1	/
			16QAM	6	0	21.23	22.0±1	1.0
				1	0	21.32	21.0±1	1.0
				1	2	21.45	21.0±1	1.0
				1	5	21.29	21.0±1	1.0
				3	0	21.43	21.0±1	1.0
				3	1	21.38	21.0±1	1.0
	23095	707.5	QPSK	3	2	21.4	21.0±1	1.0
				6	0	20.4	21.0±1	1.0
				1	0	22.09	22.0±1	/
				1	2	22.19	22.0±1	/
				1	5	22.11	22.0±1	/
				3	0	22.24	22.0±1	/
			16QAM	3	1	22.23	22.0±1	/
				3	2	22.24	22.0±1	/
				6	0	21.12	22.0±1	1.0
				1	0	21.49	20.5±1	1.0
				1	2	21.49	20.5±1	1.0
				1	5	21.46	20.5±1	1.0
	23173	715.3	QPSK	3	0	21.45	20.5±1	1.0
				3	1	21.35	20.5±1	1.0
				3	2	21.46	20.5±1	1.0
				6	0	19.99	20.5±1	1.0
				1	0	22.38	22.0±1	/
				1	2	22.43	22.0±1	/
16QAM			1	5	22.33	22.0±1	/	
			3	0	22.1	22.0±1	/	
			3	1	22.15	22.0±1	/	
			3	2	22.16	22.0±1	/	
			6	0	21.31	22.0±1	1.0	
			1	0	20.94	21.0±1	1.0	
16QAM	1	2	21.17	21.0±1	1.0			
	1	5	20.98	21.0±1	1.0			
	3	0	21.1	21.0±1	1.0			
	3	1	21.17	21.0±1	1.0			
	3	2	21.17	21.0±1	1.0			
	6	0	20.23	21.0±1	1.0			

BW(MHz)	Ch	Freq(MHz)	Mode	UL RB Allocation	UL RB Offset	Average Power (dbm)	Tune up limited(dBm)	MPR (dB)
3MHz	23025	700.5	QPSK	1	0	22.27	22.0±1	/
				1	8	22.19	22.0±1	/
				1	14	22.3	22.0±1	/
				8	0	21.27	22.0±1	1.0
				8	4	21.26	22.0±1	1.0
				8	9	21.24	22.0±1	1.0
			16QAM	15	0	21.25	22.0±1	1.0
				1	0	21.22	21.0±1	1.0
				1	8	21.05	21.0±1	1.0
				1	14	21.03	21.0±1	1.0
				8	0	20.4	21.0±1	1.0
				8	4	20.41	21.0±1	1.0
				8	9	20.35	21.0±1	1.0
				15	0	20.3	21.0±1	1.0
				23095	707.5	QPSK	1	0
	1	8	22.14				22.0±1	/
	1	14	22.13				22.0±1	/
	8	0	21.11				22.0±1	1.0
	8	4	21.15				22.0±1	1.0
	8	9	21.1				22.0±1	1.0
	16QAM	15	0			21.09	22.0±1	1.0
		1	0			21.34	21.0±1	1.0
		1	8			21.46	21.0±1	1.0
		1	14			21.52	21.0±1	1.0
		8	0			20.2	21.0±1	1.0
		8	4			20.25	21.0±1	1.0
		8	9			20.16	21.0±1	1.0
		15	0			20.16	21.0±1	1.0
		23165	714.5			QPSK	1	0
	1			8	22.44		23.0±1	/
1	14			22.37	23.0±1		/	
8	0			21.27	22.0±1		1.0	
8	4			21.34	22.0±1		1.0	
8	9			21.28	22.0±1		1.0	
16QAM	15			0	21.21	22.0±1	1.0	
	1			0	21.06	21.0±1	1.0	
	1			8	20.95	21.0±1	1.0	
	1			14	20.95	21.0±1	1.0	
	8			0	20.13	21.0±1	1.0	
	8			4	20.15	21.0±1	1.0	
	8			9	20.14	21.0±1	1.0	
	15			0	20.04	21.0±1	1.0	

BW(MHz)	Ch	Freq(MHz)	Mode	UL RB Allocation	UL RB Offset	Average Power (dbm)	Tune up limited(dBm)	MPR (dB)
5MHz	23035	701.5	QPSK	1	0	22.18	22.0±1	/
				1	49	22.23	22.0±1	/
				1	99	22.11	22.0±1	/
				12	0	21.18	22.0±1	1.0
				12	24	21.24	22.0±1	1.0
				12	49	21.24	22.0±1	1.0
				25	0	21.21	22.0±1	1.0
			16QAM	1	0	21.3	21.0±1	1.0
				1	49	21.28	21.0±1	1.0
				1	99	21.16	21.0±1	1.0
				12	0	20.31	21.0±1	1.0
				12	24	20.33	21.0±1	1.0
				12	49	20.32	21.0±1	1.0
				25	0	20.28	21.0±1	1.0
	23095	707.5	QPSK	1	0	22.11	21.5±1	/
				1	49	22.16	21.5±1	/
				1	99	22.1	21.5±1	/
				12	0	21.04	21.5±1	1.0
				12	24	21.14	21.5±1	1.0
				12	49	21.02	21.5±1	1.0
				25	0	20.98	21.5±1	1.0
			16QAM	1	0	21.45	21.0±1	1.0
				1	49	21.63	21.0±1	1.0
				1	99	21.64	21.0±1	1.0
				12	0	20.21	21.0±1	1.0
				12	24	20.31	21.0±1	1.0
				12	49	20.19	21.0±1	1.0
				25	0	20.09	21.0±1	1.0
	23155	713.5	QPSK	1	0	22.11	22.0±1	/
				1	49	22.34	22.0±1	/
1				99	22.2	22.0±1	/	
12				0	21.25	22.0±1	1.0	
12				24	21.21	22.0±1	1.0	
12				49	21.23	22.0±1	1.0	
25				0	21.19	22.0±1	1.0	
16QAM			1	0	21.16	21.0±1	1.0	
			1	49	21.13	21.0±1	1.0	
			1	99	21.03	21.0±1	1.0	
			12	0	20.29	21.0±1	1.0	
			12	24	20.18	21.0±1	1.0	
			12	49	20.16	21.0±1	1.0	
			25	0	20.11	21.0±1	1.0	

BW(MHz)	Ch	Freq(MHz)	Mode	UL RB Allocation	UL RB Offset	Average Power (dbm)	Tune up limited(dBm)	MPR (dB)
10MHz	23060	704	QPSK	1	0	22.36	22.0±1	/
				1	49	22.53	22.0±1	/
				1	99	22.05	22.0±1	/
				25	0	21.14	22.0±1	1.0
				25	24	21.22	22.0±1	1.0
				25	49	21.31	22.0±1	1.0
				50	0	21.26	22.0±1	1.0
			16QAM	1	0	21.07	21.0±1	1.0
				1	49	21.11	21.0±1	1.0
				1	99	21.01	21.0±1	1.0
				25	0	20.14	21.0±1	1.0
				25	24	20.24	21.0±1	1.0
				25	49	20.32	21.0±1	1.0
				50	0	20.23	21.0±1	1.0
	23095	707.5	QPSK	1	0	22.15	21.5±1	/
				1	49	22.27	21.5±1	/
				1	99	22.15	21.5±1	/
				25	0	20.97	21.5±1	1.0
				25	24	21.16	21.5±1	1.0
				25	49	20.97	21.5±1	1.0
				50	0	20.95	21.5±1	1.0
			16QAM	1	0	21.33	20.7±1	1.0
				1	49	21.63	20.7±1	1.0
				1	99	21.43	20.7±1	1.0
				25	0	20.01	20.7±1	1.0
				25	24	20.23	20.7±1	1.0
				25	49	19.98	20.7±1	1.0
				50	0	19.97	20.7±1	1.0
	23130	711	QPSK	1	0	22.07	22.0±1	/
				1	49	22.4	22.0±1	/
1				99	22.34	22.0±1	/	
25				0	21.42	22.0±1	1.0	
25				24	21.25	22.0±1	1.0	
25				49	21.17	22.0±1	1.0	
50				0	21.34	22.0±1	1.0	
16QAM			1	0	21	21.0±1	1.0	
			1	49	21.35	21.0±1	1.0	
			1	99	20.89	21.0±1	1.0	
			25	0	20.52	21.0±1	1.0	
			25	24	20.35	21.0±1	1.0	
			25	49	20.22	21.0±1	1.0	
			50	0	20.34	21.0±1	1.0	

LTE Band 13:

BW(MHz)	Ch	Freq(MHz)	Mode	UL RB Allocation	UL RB Offset	Average Power (dbm)	Tune up limited(dBm)	MPR (dB)
5MHz	23205	779.5	QPSK	1	0	21.82	21.0±1	/
				1	49	21.63	21.0±1	/
				1	99	21.56	21.0±1	/
				12	0	20.62	21.0±1	1.0
				12	24	20.6	21.0±1	1.0
				12	49	20.58	21.0±1	1.0
				25	0	20.62	21.0±1	1.0
			16QAM	1	0	20.91	20.5±1	1.0
				1	49	21.14	20.5±1	1.0
				1	99	21.03	20.5±1	1.0
				12	0	19.74	20.5±1	1.0
				12	24	19.81	20.5±1	1.0
				12	49	19.62	20.5±1	1.0
				25	0	19.56	20.5±1	1.0
	23230	782.0	QPSK	1	0	21.4	21.0±1	/
				1	49	21.59	21.0±1	/
				1	99	21.41	21.0±1	/
				12	0	20.53	21.0±1	1.0
				12	24	20.46	21.0±1	1.0
				12	49	20.48	21.0±1	1.0
				25	0	20.48	21.0±1	1.0
			16QAM	1	0	20.66	20.0±1	1.0
				1	49	20.67	20.0±1	1.0
				1	99	20.43	20.0±1	1.0
				12	0	19.59	20.0±1	1.0
				12	24	19.62	20.0±1	1.0
				12	49	19.6	20.0±1	1.0
				25	0	19.5	20.0±1	1.0
	23255	784.5	QPSK	1	0	21.45	21.0±1	/
				1	49	21.63	21.0±1	/
1				99	21.43	21.0±1	/	
12				0	20.39	21.0±1	1.0	
12				24	20.55	21.0±1	1.0	
12				49	20.5	21.0±1	1.0	
25				0	20.52	21.0±1	1.0	
16QAM			1	0	20.55	20.0±1	1.0	
			1	49	20.65	20.0±1	1.0	
			1	99	20.42	20.0±1	1.0	
			12	0	19.33	20.0±1	1.0	
			12	24	19.64	20.0±1	1.0	
			12	49	19.68	20.0±1	1.0	
			25	0	19.71	20.0±1	1.0	

BW(MHz)	Ch	Freq(MHz)	Mode	UL RB Allocation	UL RB Offset	Average Power (dbm)	Tune up limited(dBm)	MPR (dB)
10MHz	23230	782.0	QPSK	1	0	21.95	22.0±1	/
				1	49	22.33	22.0±1	/
				1	99	22.13	22.0±1	/
				25	0	21.35	22.0±1	1.0
				25	24	21.23	22.0±1	1.0
				25	49	21.41	22.0±1	1.0
				50	0	21.38	22.0±1	1.0
			16QAM	1	0	20.89	21.0±1	1.0
				1	49	21.2	21.0±1	1.0
				1	99	20.98	21.0±1	1.0
				25	0	20.32	21.0±1	1.0
				25	24	20.21	21.0±1	1.0
				25	49	20.39	21.0±1	1.0
				50	0	20.33	21.0±1	1.0

LTE Band 66:

BW(MHz)	Ch	Freq(MHz)	Mode	UL RB Allocation	UL RB Offset	Average Power (dbm)	Tune up limited(dBm)	MPR (dB)
1.4MHz	131979	1710.7	QPSK	1	0	23.17	23.0±1	/
				1	2	23.18	23.0±1	/
				1	5	23.18	23.0±1	/
				3	0	23.22	23.0±1	/
				3	1	23.13	23.0±1	/
				3	2	23.2	23.0±1	/
			6	0	22.23	23.0±1	1.0	
			6	0	22.23	23.0±1	1.0	
			16QAM	1	0	23.69	23.0±1	1.0
				1	2	23.63	23.0±1	1.0
				1	5	23.68	23.0±1	1.0
				3	0	22.32	22.0±1	1.0
	3	1		22.33	22.0±1	1.0		
	3	2		22.39	22.0±1	1.0		
	6	0	21.5	22.0±1	1.0			
	132321	1744.9	QPSK	1	0	23.11	23.0±1	/
				1	2	23.11	23.0±1	/
				1	5	23.13	23.0±1	/
				3	0	23.06	23.0±1	/
				3	1	23.14	23.0±1	/
				3	2	23.08	23.0±1	/
			6	0	22.23	23.0±1	1.0	
			16QAM	1	0	22.87	22.0±1	1.0
				1	2	22.85	22.0±1	1.0
				1	5	22.86	22.0±1	1.0
				3	0	21.91	22.0±1	1.0
				3	1	21.91	22.0±1	1.0
	3	2		21.93	22.0±1	1.0		
	6	0	21.05	22.0±1	1.0			
	132664	1779.2	QPSK	1	0	23.06	22.5±1	/
				1	2	23.03	22.5±1	/
				1	5	23.02	22.5±1	/
				3	0	23.01	22.5±1	/
				3	1	23.03	22.5±1	/
				3	2	23.08	22.5±1	/
			6	0	21.96	22.5±1	1.0	
16QAM			1	0	22.61	22.0±1	1.0	
			1	2	22.62	22.0±1	1.0	
			1	5	22.61	22.0±1	1.0	
			3	0	22.07	22.0±1	1.0	
			3	1	22.04	22.0±1	1.0	
	3	2	22.07	22.0±1	1.0			
6	0	21.22	22.0±1	1.0				

BW(MHz)	Ch	Freq(MHz)	Mode	UL RB Allocation	UL RB Offset	Average Power (dbm)	Tune up limited(dBm)	MPR (dB)
3MHz	131987	1711.5	QPSK	1	0	23.23	23.0±1	/
				1	8	23.21	23.0±1	/
				1	14	23.13	23.0±1	/
				6	0	22.23	23.0±1	1.0
				6	4	22.11	23.0±1	1.0
				6	9	22.24	23.0±1	1.0
				15	0	22.21	23.0±1	1.0
			16QAM	1	0	23.4	23.0±1	1.0
				1	8	23.38	23.0±1	1.0
				1	14	23.34	23.0±1	1.0
				8	0	21.19	21.0±1	1.0
				8	4	21.18	21.0±1	1.0
				8	9	21.19	21.0±1	1.0
				15	0	21.34	21.0±1	1.0
	132321	1744.9	QPSK	1	0	23.12	23.0±1	/
				1	8	23.12	23.0±1	/
				1	14	23.12	23.0±1	/
				6	0	22.21	23.0±1	1.0
				6	4	22.15	23.0±1	1.0
				6	9	22.14	23.0±1	1.0
				15	0	22.25	23.0±1	1.0
			16QAM	1	0	22.86	22.0±1	1.0
				1	8	22.86	22.0±1	1.0
				1	14	22.84	22.0±1	1.0
				6	0	21.34	22.0±1	1.0
				6	4	21.38	22.0±1	1.0
				6	9	21.36	22.0±1	1.0
				15	0	21.31	22.0±1	1.0
	132656	1778.4	QPSK	1	0	23.03	23.0±1	/
				1	8	23.04	23.0±1	/
1				14	23.08	23.0±1	/	
6				0	22.05	23.0±1	1.0	
6				4	22.06	23.0±1	1.0	
6				9	22	23.0±1	1.0	
15				0	22.06	23.0±1	1.0	
16QAM			1	0	22.86	22.0±1	1.0	
			1	8	22.76	22.0±1	1.0	
			1	14	22.79	22.0±1	1.0	
			8	0	21.14	22.0±1	1.0	
			8	4	21.17	22.0±1	1.0	
			8	9	21.2	22.0±1	1.0	
			15	0	21.15	22.0±1	1.0	

BW(MHz)	Ch	Freq(MHz)	Mode	UL RB Allocation	UL RB Offset	Average Power (dbm)	Tune up limited(dBm)	MPR (dB)
5MHz	131997	1712.5	QPSK	1	0	23.17	23.0±1	/
				1	49	23.13	23.0±1	/
				1	99	23.13	23.0±1	/
				12	0	22.21	23.0±1	1.0
				12	24	22.27	23.0±1	1.0
				12	49	22.17	23.0±1	1.0
				25	0	22.13	23.0±1	1.0
			16QAM	1	0	22.42	22.0±1	1.0
				1	49	22.44	22.0±1	1.0
				1	99	22.48	22.0±1	1.0
				12	0	21.22	22.0±1	1.0
				12	24	21.18	22.0±1	1.0
				12	49	21.21	22.0±1	1.0
				25	0	21.44	22.0±1	1.0
	132321	1744.9	QPSK	1	0	23.3	23.0±1	/
				1	49	23.28	23.0±1	/
				1	99	23.29	23.0±1	/
				12	0	22.15	23.0±1	1.0
				12	24	22.27	23.0±1	1.0
				12	49	22.21	23.0±1	1.0
				25	0	22.2	23.0±1	1.0
			16QAM	1	0	22.95	22.0±1	1.0
				1	49	23	22.0±1	1.0
				1	99	23	22.0±1	1.0
				12	0	21.26	22.0±1	1.0
				12	24	21.23	22.0±1	1.0
				12	49	21.23	22.0±1	1.0
				25	0	21.27	22.0±1	1.0
	132646	1777.4	QPSK	1	0	22.89	22.0±1	/
				1	49	22.85	22.0±1	/
1				99	22.89	22.0±1	/	
12				0	22.09	22.0±1	1.0	
12				24	22.07	22.0±1	1.0	
12				49	22.09	22.0±1	1.0	
25				0	22.16	22.0±1	1.0	
16QAM			1	0	22.93	22.0±1	1.0	
			1	49	22.89	22.0±1	1.0	
			1	99	22.87	22.0±1	1.0	
			12	0	21.07	22.0±1	1.0	
			12	24	21.12	22.0±1	1.0	
			12	49	21.13	22.0±1	1.0	
			25	0	21.13	22.0±1	1.0	

BW(MHz)	Ch	Freq(MHz)	Mode	UL RB Allocation	UL RB Offset	Average Power (dbm)	Tune up limited(dBm)	MPR (dB)
10MHz	132022	1715	QPSK	1	0	23.1	23.0±1	/
				1	49	23.01	23.0±1	/
				1	99	22.96	23.0±1	/
				25	0	22.12	23.0±1	1.0
				25	24	22.15	23.0±1	1.0
				25	49	22.1	23.0±1	1.0
			16QAM	50	0	22.18	23.0±1	1.0
				1	0	23.25	23.0±1	1.0
				1	49	23.3	23.0±1	1.0
				1	99	23.24	23.0±1	1.0
				25	0	21.25	21.0±1	1.0
				25	24	21.18	21.0±1	1.0
	132321	1744.9	QPSK	25	49	21.2	21.0±1	1.0
				50	0	21.17	21.0±1	1.0
				1	0	23.2	23.0±1	/
				1	49	23.19	23.0±1	/
				1	99	23.24	23.0±1	/
				25	0	22.22	23.0±1	1.0
			16QAM	25	24	22.2	23.0±1	1.0
				25	49	22.17	23.0±1	1.0
				50	0	22.22	23.0±1	1.0
				1	0	23.33	23.0±1	1.0
				1	49	23.45	23.0±1	1.0
				1	99	22.94	23.0±1	1.0
	132621	1774.9	QPSK	25	0	21.23	21.0±1	1.0
				25	24	21.26	21.0±1	1.0
				25	49	21.29	21.0±1	1.0
50				0	21.27	21.0±1	1.0	
1				0	23.04	23.0±1	/	
1				49	23.06	23.0±1	/	
16QAM			1	99	23.11	23.0±1	/	
			25	0	22.13	23.0±1	1.0	
			25	24	22.09	23.0±1	1.0	
			25	49	22.14	23.0±1	1.0	
			50	0	22.09	23.0±1	1.0	
			1	0	22.91	22.0±1	1.0	
16QAM	1	49	22.8	22.0±1	1.0			
	1	99	22.8	22.0±1	1.0			
	25	0	21.29	22.0±1	1.0			
	25	24	21.28	22.0±1	1.0			
	25	49	21.24	22.0±1	1.0			
	50	0	21.27	22.0±1	1.0			

BW(MHz)	Ch	Freq(MHz)	Mode	UL RB Allocation	UL RB Offset	Average Power (dbm)	Tune up limited(dBm)	MPR (dB)
15MHz	132097	1722.5	QPSK	1	0	23.06	23.0±1	/
				1	49	23.07	23.0±1	/
				1	99	23.02	23.0±1	/
				36	0	22.23	23.0±1	1.0
				36	24	22.21	23.0±1	1.0
				36	49	22.19	23.0±1	1.0
				75	0	22.19	23.0±1	1.0
			16QAM	1	0	23.29	23.0±1	1.0
				1	49	23.18	23.0±1	1.0
				1	99	23.19	23.0±1	1.0
				36	0	21.26	21.0±1	1.0
				36	24	21.19	21.0±1	1.0
				36	49	21.27	21.0±1	1.0
				75	0	21.19	21.0±1	1.0
	132321	1744.9	QPSK	1	0	23.23	23.0±1	/
				1	49	23.17	23.0±1	/
				1	99	23.16	23.0±1	/
				36	0	22.22	23.0±1	1.0
				36	24	22.28	23.0±1	1.0
				36	49	22.17	23.0±1	1.0
				75	0	22.14	23.0±1	1.0
			16QAM	1	0	23.45	23.0±1	1.0
				1	49	23.43	23.0±1	1.0
				1	99	23.43	23.0±1	1.0
				36	0	21.28	21.0±1	1.0
				36	24	21.3	21.0±1	1.0
				36	49	21.42	21.0±1	1.0
				75	0	21.23	21.0±1	1.0
	132546	1767.4	QPSK	1	0	23.05	23.0±1	/
				1	49	22.92	23.0±1	/
1				99	22.93	23.0±1	/	
36				0	22.09	23.0±1	1.0	
36				24	22.11	23.0±1	1.0	
36				49	22.07	23.0±1	1.0	
75				0	22.1	23.0±1	1.0	
16QAM			1	0	23.65	23.0±1	1.0	
			1	49	23.31	23.0±1	1.0	
			1	99	23.39	23.0±1	1.0	
			36	0	21.23	21.0±1	1.0	
			36	24	21.15	21.0±1	1.0	
			36	49	21.18	21.0±1	1.0	
			75	0	21.21	21.0±1	1.0	

ERP and EIRP**LTE Band 2**

Frequency (MHz)	Receiver Reading (dBμV)	Turn table Angle Degree	RX Antenna		Substituted			Absolute Level (dBm)	Part 24E	
			Height (m)	Polar (H/V)	SG Level (dBm)	Cable (dB)	Antenna Gain (dB)		Limit (dBm)	Margin (dB)
LTE Band 2 Channel 18607 – 1.4MHz – QPSK										
1850.70	84.89	220	2.4	H	10.92	0.31	10.40	21.01	33	-11.99
1850.70	84.61	82	1.1	V	11.33	0.31	10.40	21.42	33	-11.58
LTE Band 2 Channel 18900 – 1.4MHz – QPSK										
1880.00	84.45	305	1.2	H	10.60	0.31	10.40	20.69	33	-12.31
1880.00	84.90	126	2.0	V	11.78	0.31	10.40	21.87	33	-11.13
LTE Band 2 Channel 19193 – 1.4MHz – QPSK										
1909.30	84.68	288	1.9	H	10.95	0.32	10.40	21.03	33	-11.97
1909.30	84.60	334	2.1	V	11.64	0.32	10.40	21.72	33	-11.28
LTE Band 2 Channel 18607 – 1.4MHz – 16QAM										
1850.70	84.99	169	1.8	H	11.02	0.31	10.40	21.11	33	-11.89
1850.70	85.03	1	1.2	V	11.75	0.31	10.40	21.84	33	-11.16
LTE Band 2 Channel 18900 – 1.4MHz – 16QAM										
1880.00	84.99	152	2.3	H	11.14	0.31	10.40	21.23	33	-11.77
1880.00	84.52	46	2.4	V	11.40	0.31	10.40	21.49	33	-11.51
LTE Band 2 Channel 19193 – 1.4MHz – 16QAM										
1909.30	85.15	268	1.0	H	11.42	0.32	10.40	21.50	33	-11.50
1909.30	84.65	131	2.1	V	11.69	0.32	10.40	21.77	33	-11.23
LTE Band 2 Channel 18615 – 3MHz – QPSK										
1851.50	85.02	316	1.3	H	11.05	0.31	10.40	21.14	33	-11.86
1851.50	84.98	59	1.6	V	11.70	0.31	10.40	21.79	33	-11.21
LTE Band 2 Channel 18900 – 3MHz – QPSK										
1880.00	84.54	315	1.0	H	10.69	0.31	10.40	20.78	33	-12.22
1880.00	85.08	130	2.2	V	11.96	0.31	10.40	22.05	33	-10.95
LTE Band 2 Channel 19185 – 3MHz – QPSK										
1908.50	84.99	274	1.3	H	11.26	0.32	10.40	21.34	33	-11.66
1908.50	84.51	180	1.4	V	11.55	0.32	10.40	21.63	33	-11.37
LTE Band 2 Channel 18615 – 3MHz – 16QAM										
1851.50	84.62	275	1.9	H	10.65	0.31	10.40	20.74	33	-12.26
1851.50	85.36	22	1.8	V	12.08	0.31	10.40	22.17	33	-10.83
LTE Band 2 Channel 18900 – 3MHz – 16QAM										
1880.00	85.05	130	1.5	H	11.20	0.31	10.40	21.29	33	-11.71
1880.00	85.27	295	1.6	V	12.15	0.31	10.40	22.24	33	-10.76
LTE Band 2 Channel 19185 – 3MHz – 16QAM										
1908.50	85.19	25	1.6	H	11.46	0.32	10.40	21.54	33	-11.46
1908.50	84.99	149	1.2	V	12.03	0.32	10.40	22.11	33	-10.89
LTE Band 2 Channel 18625 – 5MHz – QPSK										
1852.50	84.81	244	1.4	H	10.84	0.31	10.40	20.93	33	-12.07
1852.50	85.36	320	2.1	V	12.08	0.31	10.40	22.17	33	-10.83

LTE Band 2 Channel 18900 – 5MHz – QPSK										
1880.00	84.99	295	2.1	H	11.14	0.31	10.40	21.23	33	-11.77
1880.00	84.87	356	2.2	V	11.75	0.31	10.40	21.84	33	-11.16
LTE Band 2 Channel 19175 – 5MHz – QPSK										
1907.50	84.62	60	1.4	H	10.89	0.32	10.40	20.97	33	-12.03
1907.50	84.96	133	1.3	V	12.00	0.32	10.40	22.08	33	-10.92
LTE Band 2 Channel 18625 – 5MHz – 16QAM										
1852.50	84.54	273	1.7	H	10.57	0.31	10.40	20.66	33	-12.34
1852.50	84.94	38	1.4	V	11.66	0.31	10.40	21.75	33	-11.25
LTE Band 2 Channel 18900 – 5MHz – 16QAM										
1880.00	84.87	176	1.2	H	11.02	0.31	10.40	21.11	33	-11.89
1880.00	84.90	159	1.5	V	11.78	0.31	10.40	21.87	33	-11.13
LTE Band 2 Channel 19175 – 5MHz – 16QAM										
1907.50	84.94	235	1.3	H	11.21	0.32	10.40	21.29	33	-11.71
1907.50	84.78	99	1.0	V	11.82	0.32	10.40	21.90	33	-11.10
LTE Band 2 Channel 18650 – 10MHz – QPSK										
1855.00	84.90	268	1.8	H	10.93	0.31	10.40	21.02	33	-11.98
1855.00	84.80	89	1.9	V	11.52	0.31	10.40	21.61	33	-11.39
LTE Band 2 Channel 18900 – 10MHz – QPSK										
1880.00	85.41	194	2.3	H	11.56	0.31	10.40	21.65	33	-11.35
1880.00	85.14	317	1.6	V	12.02	0.31	10.40	22.11	33	-10.89
LTE Band 2 Channel 19150 – 10MHz – QPSK										
1905.00	84.79	90	1.1	H	11.06	0.32	10.40	21.14	33	-11.86
1905.00	85.14	173	1.9	V	12.18	0.32	10.40	22.26	33	-10.74
LTE Band 2 Channel 18650 – 10MHz – 16QAM										
1855.00	84.74	83	1.1	H	10.77	0.31	10.40	20.86	33	-12.14
1855.00	84.85	31	1.3	V	11.57	0.31	10.40	21.66	33	-11.34
LTE Band 2 Channel 18900 – 10MHz – 16QAM										
1880.00	84.91	161	2.2	H	11.06	0.31	10.40	21.15	33	-11.85
1880.00	84.84	97	2.2	V	11.72	0.31	10.40	21.81	33	-11.19
LTE Band 2 Channel 19150 – 10MHz – 16QAM										
1905.00	85.40	332	2.4	H	11.67	0.32	10.40	21.75	33	-11.25
1905.00	84.93	218	2.5	V	11.97	0.32	10.40	22.05	33	-10.95
LTE Band 2 Channel 18675 – 15MHz – QPSK										
1857.50	85.18	132	1.5	H	11.21	0.31	10.40	21.30	33	-11.70
1857.50	84.75	270	1.8	V	11.47	0.31	10.40	21.56	33	-11.44
LTE Band 2 Channel 18900 – 15MHz – QPSK										
1880.00	84.95	102	1.4	H	11.10	0.31	10.40	21.19	33	-11.81
1880.00	85.03	348	1.8	V	11.91	0.31	10.40	22.00	33	-11.00
LTE Band 2 Channel 19125 – 15MHz – QPSK										
1902.50	85.29	168	1.2	H	11.56	0.32	10.40	21.64	33	-11.36
1902.50	84.94	195	2.3	V	11.98	0.32	10.40	22.06	33	-10.94
LTE Band 2 Channel 18675 – 15MHz – 16QAM										
1857.50	84.82	31	1.2	H	10.85	0.31	10.40	20.94	33	-12.06
1857.50	85.16	338	2.3	V	11.88	0.31	10.40	21.97	33	-11.03

LTE Band 2 Channel 18900 – 15MHz – 16QAM										
1880.00	85.12	111	1.5	H	11.27	0.31	10.40	21.36	33	-11.64
1880.00	84.82	140	2.4	V	11.70	0.31	10.40	21.79	33	-11.21
LTE Band 2 Channel 19125 – 15MHz – 16QAM										
1902.50	85.24	319	1.3	H	11.51	0.32	10.40	21.59	33	-11.41
1902.50	84.93	271	1.9	V	11.97	0.32	10.40	22.05	33	-10.95
LTE Band 2 Channel 18700 – 20MHz – QPSK										
1860.00	85.08	15	1.8	H	11.11	0.31	10.40	21.20	33	-11.80
1860.00	85.12	235	1.3	V	11.84	0.31	10.40	21.93	33	-11.07
LTE Band 2 Channel 18900 – 20MHz – QPSK										
1880.00	85.16	189	1.1	H	11.31	0.31	10.40	21.40	33	-11.60
1880.00	84.63	268	1.3	V	11.51	0.31	10.40	21.60	33	-11.40
LTE Band 2 Channel 19100 – 20MHz – QPSK										
1900.00	85.75	164	1.7	H	11.78	0.31	10.40	21.87	33	-11.13
1900.00	85.59	112	1.2	V	12.31	0.31	10.40	22.40	33	-10.60
LTE Band 2 Channel 18670 – 20MHz – 16QAM										
1860.00	84.78	209	1.7	H	10.81	0.31	10.40	20.90	33	-12.10
1860.00	85.28	141	1.3	V	12.00	0.31	10.40	22.09	33	-10.91
LTE Band 2 Channel 18900 – 20MHz – 16QAM										
1880.00	84.60	62	1.8	H	10.75	0.31	10.40	20.84	33	-12.16
1880.00	84.94	62	1.5	V	11.82	0.31	10.40	21.91	33	-11.09
LTE Band 2 Channel 19100 – 20MHz – 16QAM										
1900.00	85.13	90	2.1	H	11.40	0.32	10.40	21.48	33	-11.52
1900.00	85.30	49	1.6	V	12.34	0.32	10.40	22.42	33	-10.58

LTE Band 4

Frequency (MHz)	Receiver Reading (dBμV)	Turn table Angle Degree	RX Antenna		Substituted			Absolute Level (dBm)	Part 27	
			Height (m)	Polar (H/V)	SG Level (dBm)	Cable (dB)	Antenna Gain (dB)		Limit (dBm)	Margin (dB)
LTE Band 4 Channel 19957 – 1.4MHz – QPSK										
1710.70	86.51	228	2.2	H	12.40	0.30	9.40	21.50	30	-8.50
1710.70	86.41	108	2.1	V	12.88	0.30	9.40	21.98	30	-8.02
LTE Band 4 Channel 20175 – 1.4MHz – QPSK										
1732.50	86.54	136	2.0	H	12.43	0.30	9.40	21.53	30	-8.47
1732.50	86.18	125	1.0	V	12.65	0.30	9.40	21.75	30	-8.25
LTE Band 4 Channel 20393 – 1.4MHz – QPSK										
1754.30	86.64	307	2.0	H	12.53	0.30	9.40	21.63	30	-8.37
1754.30	86.69	177	2.0	V	13.16	0.30	9.40	22.26	30	-7.74
LTE Band 4 Channel 19957 – 1.4MHz – 16QAM										
1710.70	86.40	341	2.4	H	12.29	0.30	9.40	21.39	30	-8.61
1710.70	86.79	147	1.8	V	13.26	0.30	9.40	22.36	30	-7.64
LTE Band 4 Channel 20175 – 1.4MHz – 16QAM										
1732.50	86.36	95	2.4	H	12.25	0.30	9.40	21.35	30	-8.65
1732.50	86.74	100	1.3	V	13.21	0.30	9.40	22.31	30	-7.69
LTE Band 4 Channel 20393 – 1.4MHz – 16QAM										
1754.30	86.60	232	1.5	H	12.49	0.30	9.40	21.59	30	-8.41
1754.30	86.72	95	1.6	V	13.19	0.30	9.40	22.29	30	-7.71
LTE Band 4 Channel 19965 – 3MHz – QPSK										
1711.50	86.36	29	1.8	H	12.25	0.30	9.40	21.35	30	-8.65
1711.50	86.62	174	2.4	V	13.09	0.30	9.40	22.19	30	-7.81
LTE Band 4 Channel 20175 – 3MHz – QPSK										
1732.50	86.47	116	1.7	H	12.36	0.30	9.40	21.46	30	-8.54
1732.50	86.46	285	1.1	V	12.93	0.30	9.40	22.03	30	-7.97
LTE Band 4 Channel 20385 – 3MHz – QPSK										
1753.50	86.73	335	2.0	H	12.62	0.30	9.40	21.72	30	-8.28
1753.50	86.30	18	1.2	V	12.77	0.30	9.40	21.87	30	-8.13
LTE Band 4 Channel 19965 – 3MHz – 16QAM										
1711.50	86.58	41	2.4	H	12.47	0.30	9.40	21.57	30	-8.43
1711.50	86.70	329	1.6	V	13.17	0.30	9.40	22.27	30	-7.73
LTE Band 4 Channel 20175 – 3MHz – 16QAM										
1732.50	86.94	120	2.1	H	12.83	0.30	9.40	21.93	30	-8.07
1732.50	86.10	41	1.9	V	12.57	0.30	9.40	21.67	30	-8.33
LTE Band 4 Channel 20385 – 3MHz – 16QAM										
1753.50	86.51	69	1.7	H	12.40	0.30	9.40	21.50	30	-8.50
1753.50	86.50	311	1.9	V	12.97	0.30	9.40	22.07	30	-7.93
LTE Band 4 Channel 19975 – 5MHz – QPSK										
1712.50	86.69	162	2.0	H	12.58	0.30	9.40	21.68	30	-8.32
1712.50	86.58	8	2.3	V	13.05	0.30	9.40	22.15	30	-7.85

LTE Band 4 Channel 20175 – 5MHz – QPSK										
1732.50	86.61	1	2.2	H	12.50	0.30	9.40	21.60	30	-8.40
1732.50	86.68	127	2.2	V	13.15	0.30	9.40	22.25	30	-7.75
LTE Band 4 Channel 20375 – 5MHz – QPSK										
1752.50	86.43	194	1.2	H	12.32	0.30	9.40	21.42	30	-8.58
1752.50	86.46	315	2.3	V	12.93	0.30	9.40	22.03	30	-7.97
LTE Band 4 Channel 19975 – 5MHz – 16QAM										
1712.50	86.43	233	2.2	H	12.32	0.30	9.40	21.42	30	-8.58
1712.50	86.68	125	2.2	V	13.15	0.30	9.40	22.25	30	-7.75
LTE Band 4 Channel 20175 – 5MHz – 16QAM										
1732.50	86.52	153	1.1	H	12.41	0.30	9.40	21.51	30	-8.49
1732.50	86.27	149	1.4	V	12.74	0.30	9.40	21.84	30	-8.16
LTE Band 4 Channel 20375 – 5MHz – 16QAM										
1752.50	86.55	206	1.4	H	12.44	0.30	9.40	21.54	30	-8.46
1752.50	86.77	303	2.5	V	13.24	0.30	9.40	22.34	30	-7.66
LTE Band 4 Channel 20000 – 10MHz – QPSK										
1715.00	87.36	13	1.7	H	13.25	0.30	9.40	22.35	30	-7.65
1715.00	86.85	356	1.8	V	13.32	0.30	9.40	22.42	30	-7.58
LTE Band 4 Channel 20175 – 10MHz – QPSK										
1732.50	86.73	123	2.5	H	12.62	0.30	9.40	21.72	30	-8.28
1732.50	86.47	156	1.9	V	12.94	0.30	9.40	22.04	30	-7.96
LTE Band 4 Channel 20350 – 10MHz – QPSK										
1750.00	86.46	206	1.4	H	12.35	0.30	9.40	21.45	30	-8.55
1750.00	86.84	96	1.1	V	13.31	0.30	9.40	22.41	30	-7.59
LTE Band 4 Channel 20000 – 10MHz – 16QAM										
1715.00	86.64	36	1.8	H	12.53	0.30	9.40	21.63	30	-8.37
1715.00	86.47	215	1.7	V	12.94	0.30	9.40	22.04	30	-7.96
LTE Band 4 Channel 20175 – 10MHz – 16QAM										
1732.50	86.26	159	1.6	H	12.15	0.30	9.40	21.25	30	-8.75
1732.50	86.27	131	1.6	V	12.74	0.30	9.40	21.84	30	-8.16
LTE Band 4 Channel 20350 – 10MHz – 16QAM										
1750.00	86.54	86	1.8	H	12.43	0.30	9.40	21.53	30	-8.47
1750.00	86.39	121	1.3	V	12.86	0.30	9.40	21.96	30	-8.04
LTE Band 4 Channel 20025 – 15MHz – QPSK										
1717.50	86.68	156	1.1	H	12.57	0.30	9.40	21.67	30	-8.33
1717.50	86.90	90	1.2	V	13.37	0.30	9.40	22.47	30	-7.53
LTE Band 4 Channel 20175 – 15MHz – QPSK										
1732.50	86.79	352	1.5	H	12.68	0.30	9.40	21.78	30	-8.22
1732.50	86.35	335	1.9	V	12.82	0.30	9.40	21.92	30	-8.08
LTE Band 4 Channel 20325 – 15MHz – QPSK										
1747.50	86.83	181	1.5	H	12.72	0.30	9.40	21.82	30	-8.18
1747.50	86.74	329	1.0	V	13.21	0.30	9.40	22.31	30	-7.69
LTE Band 4 Channel 20025 – 15MHz – 16QAM										
1717.50	86.68	184	1.3	H	12.57	0.30	9.40	21.67	30	-8.33
1717.50	86.68	65	2.0	V	13.15	0.30	9.40	22.25	30	-7.75

LTE Band 4 Channel 20175 – 15MHz – 16QAM										
1732.50	86.49	52	1.9	H	12.38	0.30	9.40	21.48	30	-8.52
1732.50	86.75	294	1.9	V	13.22	0.30	9.40	22.32	30	-7.68
LTE Band 4 Channel 20325 – 15MHz – 16QAM										
1747.50	86.35	183	1.5	H	12.24	0.30	9.40	21.34	30	-8.66
1747.50	86.22	288	2.1	V	12.69	0.30	9.40	21.79	30	-8.21
LTE Band 4 Channel 20050 – 20MHz – QPSK										
1720.00	86.90	261	2.3	H	12.79	0.30	9.40	21.89	30	-8.11
1720.00	86.62	33	1.8	V	13.09	0.30	9.40	22.19	30	-7.81
LTE Band 4 Channel 20175 – 20MHz – QPSK										
1732.50	86.99	166	1.5	H	12.88	0.30	9.40	21.98	30	-8.02
1732.50	87.00	78	1.1	V	13.47	0.30	9.40	22.57	30	-7.43
LTE Band 4 Channel 20300 – 20MHz – QPSK										
1745.00	86.66	58	1.8	H	12.55	0.30	9.40	21.65	30	-8.35
1745.00	86.66	338	1.7	V	13.13	0.30	9.40	22.23	30	-7.77
LTE Band 4 Channel 20050 – 20MHz – 16QAM										
1720.00	86.51	210	1.6	H	12.40	0.30	9.40	21.50	30	-8.50
1720.00	86.46	44	2.0	V	12.93	0.30	9.40	22.03	30	-7.97
LTE Band 4 Channel 20175 – 20MHz – 16QAM										
1732.50	86.93	131	2.2	H	12.82	0.30	9.40	21.92	30	-8.08
1732.50	86.91	22	2.5	V	13.38	0.30	9.40	22.48	30	-7.52
LTE Band 4 Channel 20300 – 20MHz – 16QAM										
1745.00	86.81	161	1.2	H	12.70	0.30	9.40	21.80	30	-8.20
1745.00	86.53	111	2.2	V	13.00	0.30	9.40	22.10	30	-7.90

LTE Band 5

Frequency	Receiver Reading	Turn table Angle	RX Antenna		Substituted			Absolute Level	Part 22H	
			Height	Polar	SG Level	Cable	Antenna Gain		Limit	Margin
(MHz)	(dBμV)	Degree	(m)	(H/V)	(dBm)	(dB)	(dB)	(dBm)	(dBm)	(dB)
LTE Band 5 Channel 20407 – 1.4MHz – QPSK										
824.70	79.86	328	1.7	H	12.75	0.30	9.40	21.85	38.45	-16.60
824.70	79.66	276	1.1	V	12.13	0.30	9.40	21.23	38.45	-17.22
LTE Band 5 Channel 20525 – 1.4MHz – QPSK										
836.50	79.55	171	1.6	H	12.44	0.30	9.40	21.54	38.45	-16.91
836.50	80.12	136	1.2	V	12.59	0.30	9.40	21.69	38.45	-16.76
LTE Band 5 Channel 20643 – 1.4MHz – QPSK										
848.30	79.56	270	1.9	H	12.45	0.30	9.40	21.55	38.45	-16.90
848.30	79.91	25	1.5	V	12.38	0.30	9.40	21.48	38.45	-16.97
LTE Band 5 Channel 20407 – 1.4MHz – 16QAM										
824.70	79.84	131	1.2	H	12.73	0.30	9.40	21.83	38.45	-16.62
824.70	79.71	343	2.4	V	12.18	0.30	9.40	21.28	38.45	-17.17
LTE Band 5 Channel 20525 – 1.4MHz – 16QAM										
836.50	79.74	267	1.4	H	12.63	0.30	9.40	21.73	38.45	-16.72
836.50	79.68	338	1.8	V	12.15	0.30	9.40	21.25	38.45	-17.20
LTE Band 5 Channel 20643 – 1.4MHz – 16QAM										
848.30	79.58	282	1.4	H	12.47	0.30	9.40	21.57	38.45	-16.88
848.30	80.05	19	1.2	V	12.52	0.30	9.40	21.62	38.45	-16.83
LTE Band 5 Channel 20415 – 3MHz – QPSK										
825.50	79.74	116	1.1	H	12.63	0.30	9.40	21.73	38.45	-16.72
825.50	79.70	203	1.1	V	12.17	0.30	9.40	21.27	38.45	-17.18
LTE Band 5 Channel 20525 – 3MHz – QPSK										
836.50	79.68	128	2.4	H	12.57	0.30	9.40	21.67	38.45	-16.78
836.50	79.82	136	1.7	V	12.29	0.30	9.40	21.39	38.45	-17.06
LTE Band 5 Channel 20635 – 3MHz – QPSK										
847.50	79.59	347	1.5	H	12.48	0.30	9.40	21.58	38.45	-16.87
847.50	79.70	340	1.1	V	12.17	0.30	9.40	21.27	38.45	-17.18
LTE Band 5 Channel 20415 – 3MHz – 16QAM										
825.50	79.74	142	2.2	H	12.63	0.30	9.40	21.73	38.45	-16.72
825.50	79.87	246	1.8	V	12.34	0.30	9.40	21.44	38.45	-17.01
LTE Band 5 Channel 20525 – 3MHz – 16QAM										
836.50	79.78	345	1.4	H	12.67	0.30	9.40	21.77	38.45	-16.68
836.50	80.21	194	1.8	V	12.68	0.30	9.40	21.78	38.45	-16.67
LTE Band 5 Channel 20635 – 3MHz – 16QAM										
847.50	80.23	126	1.5	H	13.12	0.30	9.40	22.22	38.45	-16.23
847.50	79.69	154	1.4	V	12.16	0.30	9.40	21.26	38.45	-17.19
LTE Band 5 Channel 20425 – 5MHz – QPSK										
826.50	79.95	321	2.2	H	12.84	0.30	9.40	21.94	38.45	-16.51
826.50	79.93	118	1.9	V	12.40	0.30	9.40	21.50	38.45	-16.95
LTE Band 5 Channel 20525 – 5MHz – QPSK										

836.50	79.79	111	1.6	H	12.68	0.30	9.40	21.78	38.45	-16.67
836.50	79.75	191	1.7	V	12.22	0.30	9.40	21.32	38.45	-17.13
LTE Band 5 Channel 20625 – 5MHz – QPSK										
846.50	79.63	117	2.0	H	12.52	0.30	9.40	21.62	38.45	-16.83
846.50	79.65	333	1.3	V	12.12	0.30	9.40	21.22	38.45	-17.23
LTE Band 5 Channel 20425 – 5MHz – 16QAM										
826.50	79.86	322	1.5	H	12.75	0.30	9.40	21.85	38.45	-16.60
826.50	79.46	196	1.6	V	11.93	0.30	9.40	21.03	38.45	-17.42
LTE Band 5 Channel 20525 – 5MHz – 16QAM										
836.50	80.17	100	2.5	H	13.06	0.30	9.40	22.16	38.45	-16.29
836.50	79.93	334	2.4	V	12.40	0.30	9.40	21.50	38.45	-16.95
LTE Band 5 Channel 20625 – 5MHz – 16QAM										
846.50	79.76	269	1.2	H	12.65	0.30	9.40	21.75	38.45	-16.70
846.50	80.15	262	1.2	V	12.62	0.30	9.40	21.72	38.45	-16.73
LTE Band 5 Channel 20450 – 10MHz – QPSK										
829.00	79.63	98	1.2	H	12.52	0.30	9.40	21.62	38.45	-16.83
829.00	79.49	254	1.0	V	11.96	0.30	9.40	21.06	38.45	-17.39
LTE Band 5 Channel 20525 – 10MHz – QPSK										
836.50	80.13	111	1.7	H	13.02	0.30	9.40	22.12	38.45	-16.33
836.50	80.27	104	2.1	V	12.74	0.30	9.40	21.84	38.45	-16.61
LTE Band 5 Channel 20600 – 10MHz – QPSK										
844.00	79.58	95	2.3	H	12.47	0.30	9.40	21.57	38.45	-16.88
844.00	79.73	262	1.7	V	12.20	0.30	9.40	21.30	38.45	-17.15
LTE Band 5 Channel 20450 – 10MHz – 16QAM										
829.00	80.06	192	1.1	H	12.95	0.30	9.40	22.05	38.45	-16.40
829.00	79.49	162	1.5	V	11.96	0.30	9.40	21.06	38.45	-17.39
LTE Band 5 Channel 20525 – 10MHz – 16QAM										
836.50	80.31	343	2.1	H	13.20	0.30	9.40	22.30	38.45	-16.15
836.50	79.50	303	1.4	V	11.97	0.30	9.40	21.07	38.45	-17.38
LTE Band 5 Channel 20600 – 10MHz – 16QAM										
844.00	79.84	243	1.9	H	12.73	0.30	9.40	21.83	38.45	-16.62
844.00	79.74	240	1.5	V	12.21	0.30	9.40	21.31	38.45	-17.14

LTE Band 7

Frequency (MHz)	Receiver Reading (dBμV)	Turn table Angle Degree	RX Antenna		Substituted			Absolute Level (dBm)	Part 27	
			Height (m)	Polar (H/V)	SG Level (dBm)	Cable (dB)	Antenna Gain (dB)		Limit (dBm)	Margin (dB)
LTE Band 7 Channel 20775 – 5MHz – QPSK										
2502.50	85.66	268	2.1	H	11.66	0.43	10.60	21.83	33	-11.17
2502.50	82.42	130	1.5	V	12.14	0.43	10.60	22.31	33	-10.69
LTE Band 7 Channel 21100 – 5MHz – QPSK										
2535.00	85.76	38	2.3	H	11.76	0.43	10.60	21.93	33	-11.07
2535.00	82.52	59	1.8	V	12.24	0.43	10.60	22.41	33	-10.59
LTE Band 7 Channel 21425 – 5MHz – QPSK										
2567.50	85.93	45	1.2	H	11.82	0.43	10.60	21.99	33	-11.01
2567.50	82.69	287	1.7	V	12.50	0.43	10.60	22.67	33	-10.33
LTE Band 7 Channel 20775 – 5MHz – 16QAM										
2502.50	85.54	57	1.4	H	11.54	0.43	10.60	21.71	33	-11.29
2502.50	82.77	200	2.1	V	12.49	0.43	10.60	22.66	33	-10.34
LTE Band 7 Channel 21100 – 5MHz – 16QAM										
2535.00	85.64	209	1.6	H	11.64	0.43	10.60	21.81	33	-11.19
2535.00	82.59	207	1.9	V	12.31	0.43	10.60	22.48	33	-10.52
LTE Band 7 Channel 21425 – 5MHz – 16QAM										
2567.50	85.55	307	1.8	H	11.44	0.43	10.60	21.61	33	-11.39
2567.50	82.70	217	2.1	V	12.51	0.43	10.60	22.68	33	-10.32
LTE Band 7 Channel 20800 – 10MHz – QPSK										
2505.00	85.53	226	1.4	H	11.53	0.43	10.60	21.70	33	-11.30
2505.00	82.65	258	1.2	V	12.37	0.43	10.60	22.54	33	-10.46
LTE Band 7 Channel 21100 – 10MHz – QPSK										
2535.00	85.73	180	1.7	H	11.73	0.43	10.60	21.90	33	-11.10
2535.00	82.76	125	2.2	V	12.48	0.43	10.60	22.65	33	-10.35
LTE Band 7 Channel 21400 – 10MHz – QPSK										
2565.00	85.48	101	1.1	H	11.37	0.43	10.60	21.54	33	-11.46
2565.00	82.34	318	1.1	V	12.15	0.43	10.60	22.32	33	-10.68
LTE Band 7 Channel 20800 – 10MHz – 16QAM										
2505.00	85.45	104	1.7	H	11.45	0.43	10.60	21.62	33	-11.38
2505.00	82.69	240	1.8	V	12.41	0.43	10.60	22.58	33	-10.42
LTE Band 7 Channel 21100 – 10MHz – 16QAM										
2535.00	85.65	337	1.0	H	11.65	0.43	10.60	21.82	33	-11.18
2535.00	83.21	248	1.6	V	12.93	0.43	10.60	23.10	33	-9.90
LTE Band 7 Channel 21400 – 10MHz – 16QAM										
2565.00	85.88	320	1.4	H	11.77	0.43	10.60	21.94	33	-11.06
2565.00	82.51	58	2.3	V	12.32	0.43	10.60	22.49	33	-10.51
LTE Band 7 Channel 20825 – 15MHz – QPSK										
2507.50	85.58	224	2.4	H	11.58	0.43	10.60	21.75	33	-11.25
2507.50	82.82	90	2.0	V	12.54	0.43	10.60	22.71	33	-10.29

LTE Band 7 Channel 21100 – 15MHz – QPSK										
2535.00	85.32	97	1.3	H	11.32	0.43	10.60	21.49	33	-11.51
2535.00	82.50	112	1.6	V	12.22	0.43	10.60	22.39	33	-10.61
LTE Band 7 Channel 21375 – 15MHz – QPSK										
2562.50	85.40	126	1.6	H	11.29	0.43	10.60	21.46	33	-11.54
2562.50	82.76	105	1.6	V	12.57	0.43	10.60	22.74	33	-10.26
LTE Band 7 Channel 20825 – 15MHz – 16QAM										
2507.50	85.42	325	2.0	H	11.42	0.43	10.60	21.59	33	-11.41
2507.50	82.49	15	2.2	V	12.21	0.43	10.60	22.38	33	-10.62
LTE Band 7 Channel 21100 – 15MHz – 16QAM										
2535.00	85.60	191	1.9	H	11.60	0.43	10.60	21.77	33	-11.23
2535.00	82.79	100	1.6	V	12.51	0.43	10.60	22.68	33	-10.32
LTE Band 7 Channel 21375 – 15MHz – 16QAM										
2562.50	85.65	137	1.2	H	11.54	0.43	10.60	21.71	33	-11.29
2562.50	82.67	315	2.3	V	12.48	0.43	10.60	22.65	33	-10.35
LTE Band 7 Channel 20850 – 20MHz – QPSK										
2510.00	85.70	218	1.6	H	11.70	0.43	10.60	21.87	33	-11.13
2510.00	82.76	19	2.5	V	12.48	0.43	10.60	22.65	33	-10.35
LTE Band 7 Channel 21100 – 20MHz – QPSK										
2535.00	85.98	112	1.5	H	11.98	0.43	10.60	22.15	33	-10.85
2535.00	82.80	216	1.5	V	12.52	0.43	10.60	22.69	33	-10.31
LTE Band 7 Channel 21350 – 20MHz – QPSK										
2560.00	85.75	117	1.8	H	11.64	0.43	10.60	21.81	33	-11.19
2560.00	83.15	148	2.1	V	12.96	0.43	10.60	23.13	33	-9.87
LTE Band 7 Channel 20850 – 20MHz – 16QAM										
2510.00	85.40	60	2.3	H	11.40	0.43	10.60	21.57	33	-11.43
2510.00	82.51	254	1.7	V	12.23	0.43	10.60	22.40	33	-10.60
LTE Band 7 Channel 21100 – 20MHz – 16QAM										
2535.00	85.68	222	2.2	H	11.68	0.43	10.60	21.85	33	-11.15
2535.00	82.79	183	1.3	V	12.51	0.43	10.60	22.68	33	-10.32
LTE Band 7 Channel 21350 – 20MHz – 16QAM										
2560.00	86.10	335	1.1	H	11.99	0.43	10.60	22.16	33	-10.84
2560.00	83.23	343	2.3	V	13.04	0.43	10.60	23.21	33	-9.79

LTE Band 12

Frequency (MHz)	Receiver Reading (dBμV)	Turn table Angle Degree	RX Antenna		Substituted			Absolute Level (dBm)	Part 27	
			Height (m)	Polar (H/V)	SG Level (dBm)	Cable (dB)	Antenna Gain (dB)		Limit (dBm)	Margin (dB)
LTE Band 12 Channel 23017 – 1.4MHz – QPSK										
699.70	93.19	115	1.1	H	22.19	0.20	0.00	21.99	34.77	-12.78
699.70	92.92	248	1.7	V	20.64	0.20	0.00	20.44	34.77	-14.33
LTE Band 12 Channel 23095 – 1.4MHz – QPSK										
707.50	93.34	30	2.1	H	22.34	0.20	0.00	22.14	34.77	-12.63
707.50	93.02	311	1.8	V	20.74	0.20	0.00	20.54	34.77	-14.23
LTE Band 12 Channel 23173 – 1.4MHz – QPSK										
715.30	93.13	260	2.4	H	22.13	0.20	0.00	21.93	34.77	-12.84
715.30	93.50	187	1.6	V	21.22	0.20	0.00	21.02	34.77	-13.75
LTE Band 12 Channel 23017 – 1.4MHz – 16QAM										
699.70	93.06	339	1.1	H	22.06	0.20	0.00	21.86	34.77	-12.91
699.70	93.66	12	1.0	V	21.38	0.20	0.00	21.18	34.77	-13.59
LTE Band 12 Channel 23095 – 1.4MHz – 16QAM										
707.50	92.88	69	1.5	H	21.88	0.20	0.00	21.68	34.77	-13.09
707.50	93.38	339	1.6	V	21.10	0.20	0.00	20.90	34.77	-13.87
LTE Band 12 Channel 23173 – 1.4MHz – 16QAM										
715.30	93.08	112	2.3	H	22.08	0.20	0.00	21.88	34.77	-12.89
715.30	93.64	234	1.2	V	21.36	0.20	0.00	21.16	34.77	-13.61
LTE Band 12 Channel 23025 – 3MHz – QPSK										
700.50	93.05	299	2.3	H	22.05	0.20	0.00	21.85	34.77	-12.92
700.50	93.36	326	2.1	V	21.08	0.20	0.00	20.88	34.77	-13.89
LTE Band 12 Channel 23095 – 3MHz – QPSK										
707.50	92.99	172	1.1	H	21.99	0.20	0.00	21.79	34.77	-12.98
707.50	93.44	305	1.5	V	21.16	0.20	0.00	20.96	34.77	-13.81
LTE Band 12 Channel 23165 – 3MHz – QPSK										
714.50	93.12	59	1.9	H	22.12	0.20	0.00	21.92	34.77	-12.85
714.50	93.25	201	2.1	V	20.97	0.20	0.00	20.77	34.77	-14.00
LTE Band 12 Channel 23025 – 3MHz – 16QAM										
700.50	93.29	353	1.9	H	22.29	0.20	0.00	22.09	34.77	-12.68
700.50	92.98	194	2.1	V	20.70	0.20	0.00	20.50	34.77	-14.27
LTE Band 12 Channel 23095 – 3MHz – 16QAM										
707.50	93.47	223	1.8	H	22.47	0.20	0.00	22.27	34.77	-12.50
707.50	93.11	327	1.3	V	20.83	0.20	0.00	20.63	34.77	-14.14
LTE Band 12 Channel 23165 – 3MHz – 16QAM										
714.50	93.40	114	1.8	H	22.40	0.20	0.00	22.20	34.77	-12.57
714.50	93.31	217	2.0	V	21.03	0.20	0.00	20.83	34.77	-13.94
LTE Band 12 Channel 23035 – 5MHz – QPSK										
701.50	93.17	134	1.8	H	22.17	0.20	0.00	21.97	34.77	-12.80
701.50	92.75	243	2.3	V	20.47	0.20	0.00	20.27	34.77	-14.50

LTE Band 12 Channel 23095 – 5MHz – QPSK										
707.50	92.84	349	1.4	H	21.84	0.20	0.00	21.64	34.77	-13.13
707.50	93.10	188	2.4	V	20.82	0.20	0.00	20.62	34.77	-14.15
LTE Band 12 Channel 23155 – 5MHz – QPSK										
713.50	93.06	4	2.1	H	22.06	0.20	0.00	21.86	34.77	-12.91
713.50	93.25	110	2.3	V	20.97	0.20	0.00	20.77	34.77	-14.00
LTE Band 12 Channel 23035 – 5MHz – 16QAM										
701.50	92.90	50	1.6	H	21.90	0.20	0.00	21.70	34.77	-13.07
701.50	93.43	149	1.9	V	21.15	0.20	0.00	20.95	34.77	-13.82
LTE Band 12 Channel 23095 – 5MHz – 16QAM										
707.50	92.98	41	1.3	H	21.98	0.20	0.00	21.78	34.77	-12.99
707.50	93.07	64	1.9	V	20.79	0.20	0.00	20.59	34.77	-14.18
LTE Band 12 Channel 23155 – 5MHz – 16QAM										
713.50	93.07	129	2.2	H	22.07	0.20	0.00	21.87	34.77	-12.90
713.50	93.03	263	1.4	V	20.75	0.20	0.00	20.55	34.77	-14.22
LTE Band 12 Channel 23060 – 10MHz – QPSK										
704.00	93.60	59	2.0	H	22.60	0.20	0.00	22.40	34.77	-12.37
704.00	93.01	68	1.1	V	20.73	0.20	0.00	20.53	34.77	-14.24
LTE Band 12 Channel 23095 – 10MHz – QPSK										
707.50	93.10	198	1.9	H	22.10	0.20	0.00	21.90	34.77	-12.87
707.50	92.95	69	1.7	V	20.67	0.20	0.00	20.47	34.77	-14.30
LTE Band 12 Channel 23130 – 10MHz – QPSK										
711.00	92.96	219	2.1	H	21.96	0.20	0.00	21.76	34.77	-13.01
711.00	93.15	119	1.8	V	20.87	0.20	0.00	20.67	34.77	-14.10
LTE Band 12 Channel 23060 – 10MHz – 16QAM										
704.00	92.84	342	1.7	H	21.84	0.20	0.00	21.64	34.77	-13.13
704.00	93.21	166	1.4	V	20.93	0.20	0.00	20.73	34.77	-14.04
LTE Band 12 Channel 23095 – 10MHz – 16QAM										
707.50	93.26	304	1.2	H	22.26	0.20	0.00	22.06	34.77	-12.71
707.50	93.52	261	1.5	V	21.24	0.20	0.00	21.04	34.77	-13.73
LTE Band 12 Channel 23130 – 10MHz – 16QAM										
711.00	93.53	218	1.8	H	22.53	0.20	0.00	22.33	34.77	-12.44
711.00	93.32	273	2.4	V	21.04	0.20	0.00	20.84	34.77	-13.93

LTE Band 13

Frequency	Receiver Reading	Turn table Angle	RX Antenna		Substituted			Absolute Level	Part 27	
			Height	Polar	SG Level	Cable	Antenna Gain		Limit	Margin
(MHz)	(dBμV)	Degree	(m)	(H/V)	(dBm)	(dB)	(dB)	(dBm)	(dBm)	(dB)
LTE Band 13 Channel 23205 – 5MHz – QPSK										
779.50	92.88	327	1.4	H	21.88	0.20	0.00	21.68	34.77	-13.09
779.50	93.39	349	1.3	V	21.11	0.20	0.00	20.91	34.77	-13.86
LTE Band 13 Channel 23230 – 5MHz – QPSK										
782.00	92.13	339	2.2	H	21.13	0.20	0.00	20.93	34.77	-13.84
782.00	92.68	190	1.3	V	20.40	0.20	0.00	20.20	34.77	-14.57
LTE Band 13 Channel 23255 – 5MHz – QPSK										
784.50	91.80	75	1.1	H	20.80	0.20	0.00	20.60	34.77	-14.17
784.50	92.79	219	1.9	V	20.51	0.20	0.00	20.31	34.77	-14.46
LTE Band 13 Channel 23205 – 5MHz – 16QAM										
779.50	91.89	317	2.5	H	20.89	0.20	0.00	20.69	34.77	-14.08
779.50	92.93	236	1.1	V	20.65	0.20	0.00	20.45	34.77	-14.32
LTE Band 13 Channel 23230 – 5MHz – 16QAM										
782.00	92.09	319	2.2	H	21.09	0.20	0.00	20.89	34.77	-13.88
782.00	93.41	163	1.2	V	21.13	0.20	0.00	20.93	34.77	-13.84
LTE Band 13 Channel 23255 – 5MHz – 16QAM										
784.50	92.41	333	1.5	H	21.41	0.20	0.00	21.21	34.77	-13.56
784.50	93.12	45	1.3	V	20.84	0.20	0.00	20.64	34.77	-14.13
LTE Band 13 Channel 23230 – 10MHz – QPSK										
782.00	93.47	309	2.0	H	22.47	0.20	0.00	22.27	34.77	-12.50
782.00	93.57	48	1.5	V	21.29	0.20	0.00	21.09	34.77	-13.68
LTE Band 13 Channel 23230 – 10MHz – 16QAM										
782.00	93.24	243	1.2	H	22.24	0.20	0.00	22.04	34.77	-12.73
782.00	93.19	328	2.5	V	20.91	0.20	0.00	20.71	34.77	-14.06

LTE Band 66

Frequency (MHz)	Receiver Reading (dBμV)	Turn table Angle Degree	RX Antenna		Substituted			Absolute Level (dBm)	Part 27	
			Height (m)	Polar (H/V)	SG Level (dBm)	Cable (dB)	Antenna Gain (dB)		Limit (dBm)	Margin (dB)
LTE Band 66 Channel 131979 – 1.4MHz – QPSK										
1710.70	86.15	236	1.2	H	12.15	0.30	9.40	21.25	30	-8.75
1710.70	85.88	196	1.9	V	10.60	0.30	9.40	19.70	30	-10.30
LTE Band 66 Channel 132321 – 1.4MHz – QPSK										
1744.90	86.42	122	2.4	H	12.42	0.30	9.40	21.52	30	-8.48
1744.90	86.01	107	1.8	V	10.73	0.30	9.40	19.83	30	-10.17
LTE Band 66 Channel 132664 – 1.4MHz – QPSK										
1779.20	85.78	343	2.1	H	11.67	0.30	9.40	20.77	30	-9.23
1779.20	86.07	212	1.4	V	10.88	0.30	9.40	19.98	30	-10.02
LTE Band 66 Channel 131979 – 1.4MHz – 16QAM										
1710.70	86.57	289	1.1	H	12.57	0.30	9.40	21.67	30	-8.33
1710.70	85.93	285	1.9	V	10.65	0.30	9.40	19.75	30	-10.25
LTE Band 66 Channel 132321 – 1.4MHz – 16QAM										
1744.90	86.37	223	1.8	H	12.37	0.30	9.40	21.47	30	-8.53
1744.90	86.06	82	2.2	V	10.78	0.30	9.40	19.88	30	-10.12
LTE Band 66 Channel 132664 – 1.4MHz – 16QAM										
1779.20	86.18	71	2.0	H	12.07	0.30	9.40	21.17	30	-8.83
1779.20	86.46	337	1.2	V	11.27	0.30	9.40	20.37	30	-9.63
LTE Band 66 Channel 131987 – 3MHz – QPSK										
1711.50	86.31	1	2.3	H	12.31	0.30	9.40	21.41	30	-8.59
1711.50	86.36	309	1.5	V	11.08	0.30	9.40	20.18	30	-9.82
LTE Band 66 Channel 132321 – 3MHz – QPSK										
1744.90	86.26	212	1.5	H	12.26	0.30	9.40	21.36	30	-8.64
1744.90	86.42	263	1.7	V	11.14	0.30	9.40	20.24	30	-9.76
LTE Band 66 Channel 132665 – 3MHz – QPSK										
1778.40	86.41	308	1.9	H	12.30	0.30	9.40	21.40	30	-8.60
1778.40	86.15	140	1.3	V	10.96	0.30	9.40	20.06	30	-9.94
LTE Band 66 Channel 131987 – 3MHz – 16QAM										
1711.50	86.14	229	1.4	H	12.14	0.30	9.40	21.24	30	-8.76
1711.50	86.47	117	1.2	V	11.19	0.30	9.40	20.29	30	-9.71
LTE Band 66 Channel 132321 – 3MHz – 16QAM										
1744.90	86.03	140	2.5	H	12.03	0.30	9.40	21.13	30	-8.87
1744.90	86.11	202	1.8	V	10.83	0.30	9.40	19.93	30	-10.07
LTE Band 66 Channel 132665 – 3MHz – 16QAM										
1778.40	86.08	203	2.2	H	11.97	0.30	9.40	21.07	30	-8.93
1778.40	86.35	170	1.8	V	11.16	0.30	9.40	20.26	30	-9.74
LTE Band 66 Channel 131997 – 5MHz – QPSK										
1712.50	86.48	187	2.1	H	12.48	0.30	9.40	21.58	30	-8.42
1712.50	86.12	314	1.5	V	10.84	0.30	9.40	19.94	30	-10.06

LTE Band 66 Channel 132321 – 5MHz – QPSK										
1744.90	85.88	233	1.9	H	11.88	0.30	9.40	20.98	30	-9.02
1744.90	86.19	163	2.5	V	10.91	0.30	9.40	20.01	30	-9.99
LTE Band 66 Channel 132646 – 5MHz – QPSK										
1777.40	86.18	220	1.8	H	12.07	0.30	9.40	21.17	30	-8.83
1777.40	86.28	57	2.0	V	11.09	0.30	9.40	20.19	30	-9.81
LTE Band 66 Channel 131997 – 5MHz – 16QAM										
1712.50	86.40	142	1.6	H	12.40	0.30	9.40	21.50	30	-8.50
1712.50	86.14	38	1.5	V	10.86	0.30	9.40	19.96	30	-10.04
LTE Band 66 Channel 132321 – 5MHz – 16QAM										
1744.90	85.99	46	2.4	H	11.99	0.30	9.40	21.09	30	-8.91
1744.90	86.33	342	2.1	V	11.05	0.30	9.40	20.15	30	-9.85
LTE Band 66 Channel 131997 – 5MHz – 16QAM										
1777.40	86.14	9	1.3	H	12.03	0.30	9.40	21.13	30	-8.87
1777.40	86.00	83	1.5	V	10.81	0.30	9.40	19.91	30	-10.09
LTE Band 66 Channel 132022 – 10MHz – QPSK										
1715.00	87.32	237	1.4	H	13.32	0.30	9.40	22.42	30	-7.58
1715.00	87.22	74	2.1	V	11.94	0.30	9.40	21.04	30	-8.96
LTE Band 66 Channel 132321 – 10MHz – QPSK										
1744.90	86.95	31	1.0	H	12.95	0.30	9.40	22.05	30	-7.95
1744.90	87.30	69	1.9	V	12.02	0.30	9.40	21.12	30	-8.88
LTE Band 66 Channel 132621 – 10MHz – QPSK										
1774.90	87.05	208	2.1	H	12.94	0.30	9.40	22.04	30	-7.96
1774.90	87.24	294	2.4	V	12.05	0.30	9.40	21.15	30	-8.85
LTE Band 66 Channel 132022 – 10MHz – 16QAM										
1715.0	87.07	158	2.4	H	13.07	0.30	9.40	22.17	30	-7.83
1715.0	87.49	254	2.4	V	12.21	0.30	9.40	21.31	30	-8.69
LTE Band 66 Channel 132321 – 10MHz – 16QAM										
1744.90	87.23	120	1.3	H	13.23	0.30	9.40	22.33	30	-7.67
1744.90	87.32	64	2.1	V	12.04	0.30	9.40	21.14	30	-8.86
LTE Band 66 Channel 132621 – 10MHz – 16QAM										
1774.90	87.26	240	1.3	H	13.15	0.30	9.40	22.25	30	-7.75
1774.90	87.32	109	2.0	V	12.13	0.30	9.40	21.23	30	-8.77
LTE Band 66 Channel 132097 – 15MHz – QPSK										
1722.50	87.08	277	1.8	H	13.08	0.30	9.40	22.18	30	-7.82
1722.50	86.92	74	2.3	V	11.64	0.30	9.40	20.74	30	-9.26
LTE Band 66 Channel 132321 – 15MHz – QPSK										
1744.90	87.15	41	1.6	H	13.15	0.30	9.40	22.25	30	-7.75
1744.90	86.92	238	1.6	V	11.64	0.30	9.40	20.74	30	-9.26
LTE Band 66 Channel 132546 – 15MHz – QPSK										
1767.40	87.55	52	2.2	H	13.44	0.30	9.40	22.54	30	-7.46
1767.40	87.43	339	2.2	V	12.24	0.30	9.40	21.34	30	-8.66
LTE Band 66 Channel 132097 – 15MHz – 16QAM										
1722.50	87.34	269	2.3	H	13.34	0.30	9.40	22.44	30	-7.56
1722.50	87.52	145	2.4	V	12.24	0.30	9.40	21.34	30	-8.66

LTE Band 66 Channel 132321 – 15MHz – 16QAM										
1744.90	87.42	99	2.3	H	13.42	0.30	9.40	22.52	30	-7.48
1744.90	87.23	343	2.2	V	11.95	0.30	9.40	21.05	30	-8.95
LTE Band 66 Channel 132546 – 15MHz – 16QAM										
1767.40	87.71	309	1.6	H	13.60	0.30	9.40	22.70	30	-7.30
1767.40	87.39	167	1.7	V	12.20	0.30	9.40	21.30	30	-8.70
LTE Band 66 Channel 132072 – 20MHz – QPSK										
1720.00	87.79	193	1.7	H	13.79	0.30	9.40	22.89	30	-7.11
1720.00	88.22	285	1.6	V	12.94	0.30	9.40	22.04	30	-7.96
LTE Band 66 Channel 132321 – 20MHz – QPSK										
1744.90	87.95	68	1.1	H	13.95	0.30	9.40	23.05	30	-6.95
1744.90	87.95	177	2.0	V	12.67	0.30	9.40	21.77	30	-8.23
LTE Band 66 Channel 132471 – 20MHz – QPSK										
1759.90	87.83	10	1.3	H	13.72	0.30	9.40	22.82	30	-7.18
1759.90	87.78	19	1.8	V	12.59	0.30	9.40	21.69	30	-8.31
LTE Band 66 Channel 132072 – 20MHz – 16QAM										
1720.00	88.15	55	2.3	H	14.15	0.30	9.40	23.25	30	-6.75
1720.00	88.02	126	1.3	V	12.74	0.30	9.40	21.84	30	-8.16
LTE Band 66 Channel 132321 – 20MHz – 16QAM										
1744.90	88.00	205	2.1	H	14.00	0.30	9.40	23.10	30	-6.90
1744.90	88.00	189	2.5	V	12.72	0.30	9.40	21.82	30	-8.18
LTE Band 66 Channel 132471 – 20MHz – 16QAM										
1759.90	88.29	184	1.7	H	14.18	0.30	9.40	23.28	30	-6.72
1759.90	88.26	113	1.8	V	13.07	0.30	9.40	22.17	30	-7.83

8 Peak-to-Average Ratio

Test Requirement:	24.232 (d), 27.50(d)
Test Method:	N/A
Test Mode:	TX transmitting

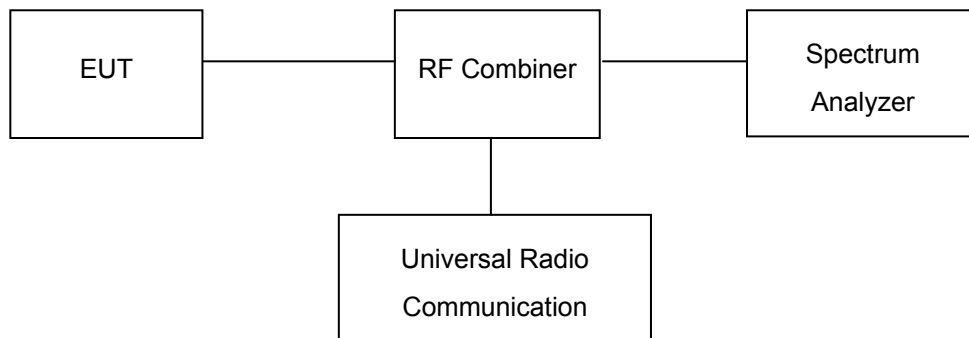
8.1 EUT Operation

Operating Environment :

Temperature:	22.5 °C
Humidity:	52.3% RH
Atmospheric Pressure:	101.2kPa

8.2 Test Procedure

1. The EUT was connected to spectrum analyzer and system simulator via a power divider.
2. Set EUT to transmit at maximum output power.
3. When the duty cycle is less than 98%, then signal gating will be implemented on the spectrum analyzer by triggering from the system simulator.
4. Set the CCDF (Complementary Cumulative Distribution Function) option of the spectrum analyzer. Record the maximum PAPR level associated with a probability of 0.1%.



8.3 Test Result

PASS

LTE Band

Please refer to the Appendix Band 2/4/5/7/12/13/66 LTE Peak to Average Ratio.

9 Bandwidth

Test Requirement:	FCC Part 2.1049, 22.917, 22.905, 24.238, 27.53(a); 90.691
Test Method:	ANSI C63.26:2015 ANSI/TIA-603-E:2016
Test Mode:	TX transmitting

9.1 EUT Operation

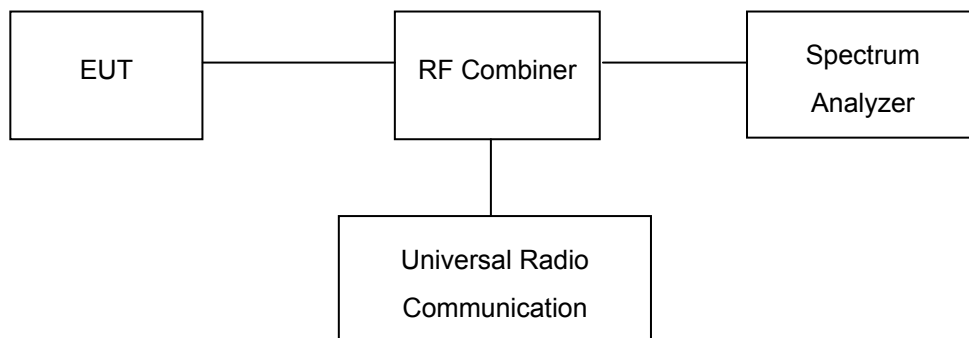
Operating Environment :

Temperature:	22.5 °C
Humidity:	52.3% RH
Atmospheric Pressure:	101.2kPa

9.2 Test Procedure

The RF output of the transmitter was connected to the wireless test set and the spectrum analyzer through sufficient attenuation.

The resolution bandwidth of the spectrum analyzer was set in the range of 1 to 5 % of the anticipated OBW and the 26 dB & 99%bandwidth was recorded.



9.3 Test Result

PASS

LTE Band

Please refer to the Appendix Band 2/4/5/7/12/13/66 LTE Transmitter Occupied Bandwidth(SA).

10 Spurious Emissions at Antenna Terminals

Test Requirement:	FCC Part 2.1051, 22.917(a), 24.238(a), 27.53(h), 27.53(m)(4); 90.691
Test Method:	ANSI C63.26:2015 ANSI/TIA-603-E:2016
Test Mode:	TX transmitting

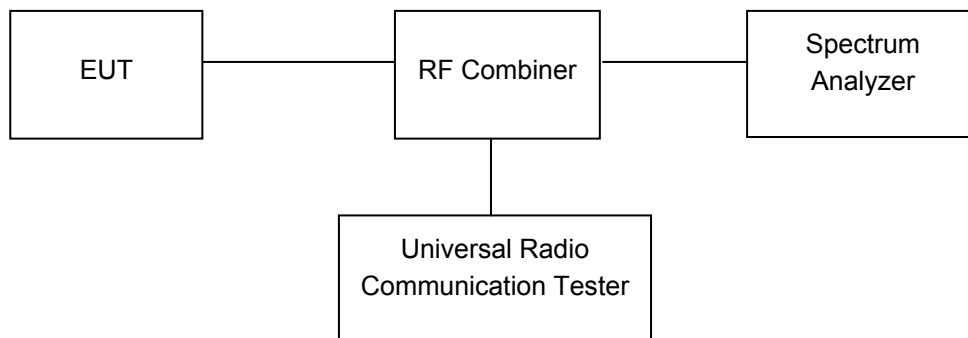
10.1 EUT Operation

Operating Environment :

Temperature:	23.5 °C
Humidity:	52.1 % RH
Atmospheric Pressure:	101.3kPa

10.2 Test Procedure

The RF output of the transceiver was connected to a spectrum analyzer and simulator through appropriate attenuation. The resolution bandwidth of the spectrum analyzer was set at 1MHz. Sufficient scans were taken to show any out of band emissions up to 10th harmonics.



10.3 Test Result

PASS

LTE Band

Please refer to the Appendix Band 2/4/5/7/12/13/66 LTE Transmitter Spurious Emissions.

11 Spurious Radiated Emissions

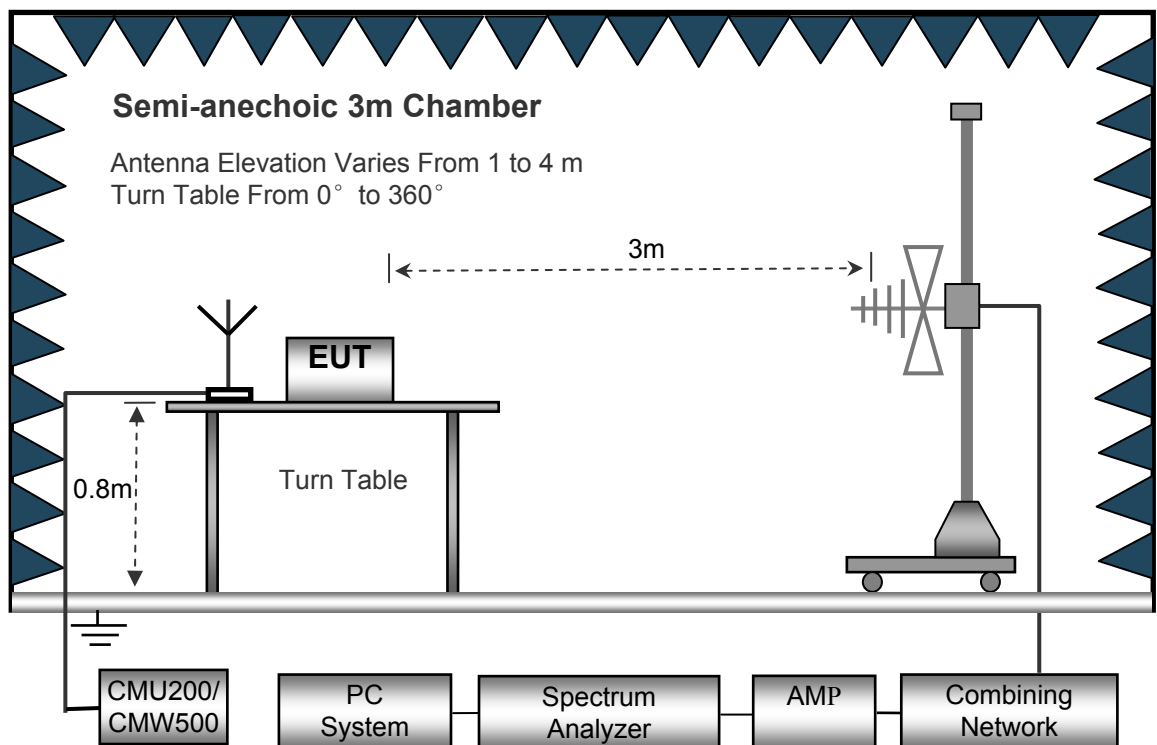
Test Requirement:	FCC Part 2.1053, 22.917, 24.238, 27.53(h), 27.53(m)(4); 90.691
Test Method:	ANSI C63.26:2015 ANSI/TIA-603-E:2016
Test Mode:	TX transmitting

11.1 EUT Operation

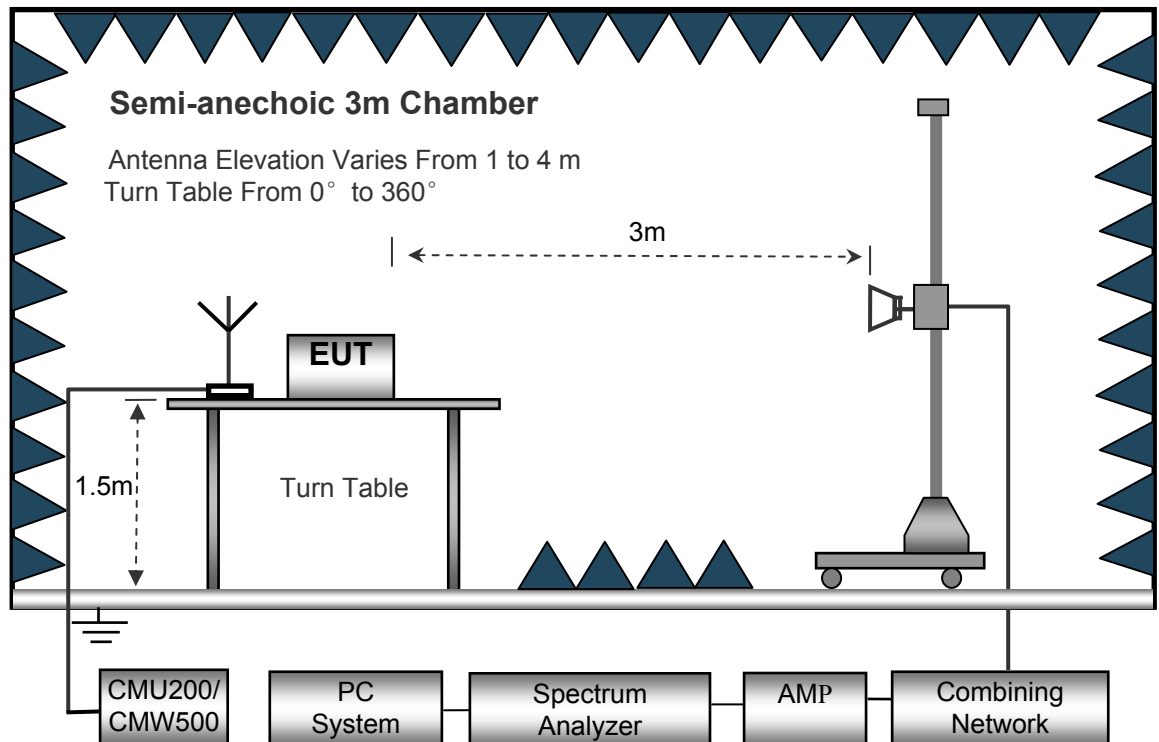
Operating Environment :	
Temperature:	23.5 °C
Humidity:	52.1 % RH
Atmospheric Pressure:	101.2kPa

11.2 Test Setup

The radiated emission tests were performed in the 3m Semi- Anechoic Chamber test site. The test setup for emission measurement from 30 MHz to 1 GHz.



The test setup for emission measurement above 1 GHz.



11.3 Spectrum Analyzer Setup

30MHz ~ 1GHz

Sweep Speed Auto
 Detector PK
 Resolution Bandwidth..... 100kHz
 Video Bandwidth..... 300kHz

Above 1GHz

Sweep Speed Auto
 Detector PK
 Resolution Bandwidth..... 1MHz
 Video Bandwidth..... 3MHz
 Detector Ave.
 Resolution Bandwidth..... 1MHz
 Video Bandwidth..... 10Hz

11.4 Test Procedure

1. The EUT is placed on a turntable, which is 0.8m for below 1GHz and 1.5m for above 1GHz above ground plane.
2. The turntable shall be rotated for 360 degrees to determine the position of maximum emission level.
3. EUT is set 3m away from the receiving antenna, which is moved from 1m to 4m to find out the maximum emissions. The spectrum was investigated from 30MHz up to the tenth harmonic of the highest fundamental frequency.
4. Maximum procedure was performed on the six highest emissions to ensure EUT compliance.
5. And also, each emission was to be maximized by changing the polarization of receiving antenna both horizontal and vertical.
6. The radiation measurements are tested under 3-axes(X,Y,Z) position(X denotes lying on the table, Y denotes side stand and Z denotes vertical stand), After pre-test, It was found that the worse radiation emission was get at the Z position. So the data shown was the Z position only.
7. Remove the EUT and replace it with substitution antenna. A signal generator was connected to the substitution antenna by a non-radiating cable. The absolute levels of the spurious emissions were measured by the substitution.
Spurious emissions in dB = $10 \lg (\text{TXpwr in Watts}/0.001)$ – the absolute level
Spurious attenuation limit in dB = $43 + 10 \text{Log}_{10} (\text{power out in Watts})$
8. Repeat above procedures until the measurements for all frequencies are completed.

11.5 Summary of Test Results

Remark: Test performed from 30MHz to 10th harmonics with low/middle/high channels, only the worst data were recorded.

LTE Band 2

Frequency	Receiver Reading	Turn table Angle	RX Antenna		Substituted			Absolute Level	Result	
			Height	Polar	SG Level	Cable	Antenna Gain		Limit	Margin
(MHz)	(dB μ V)	Degree	(m)	(H/V)	(dBm)	(dB)	(dB)	(dBm)	(dBm)	(dB)
LTE BAND 2 Channel 18607										
217.32	45.69	27	1.5	H	-64.82	0.15	0.00	-64.97	-13.00	-51.97
217.32	36.40	303	1.8	V	-71.19	0.15	0.00	-71.34	-13.00	-58.34
3701.40	65.95	59	1.7	H	-45.59	2.37	12.50	-35.46	-13.00	-22.46
3701.40	59.98	13	1.5	V	-49.83	2.37	12.50	-39.70	-13.00	-26.70
5552.10	53.58	120	1.5	H	-56.03	2.86	12.90	-45.99	-13.00	-32.99
5552.10	44.73	146	1.2	V	-64.15	2.86	12.90	-54.11	-13.00	-41.11
LTE BAND 2 Channel 18900										
217.32	45.25	103	1.1	H	-65.26	0.15	0.00	-65.41	-13.00	-52.41
217.32	35.96	42	1.6	V	-71.63	0.15	0.00	-71.78	-13.00	-58.78
3760.00	58.34	232	1.1	H	-53.20	2.37	12.50	-43.07	-13.00	-30.07
3760.00	53.77	327	1.5	V	-56.04	2.37	12.50	-45.91	-13.00	-32.91
5640.00	46.33	333	1.7	H	-63.28	2.86	12.90	-53.24	-13.00	-40.24
5640.00	37.71	344	1.6	V	-71.17	2.86	12.90	-61.13	-13.00	-48.13
LTE BAND 2 Channel 19193										
217.32	46.21	196	1.7	H	-64.30	0.15	0.00	-64.45	-13.00	-51.45
217.32	36.64	83	2.1	V	-70.95	0.15	0.00	-71.10	-13.00	-58.10
3818.60	51.17	63	1.7	H	-59.68	2.37	12.60	-49.45	-13.00	-36.45
3818.60	45.87	74	1.6	V	-63.44	2.37	12.60	-53.21	-13.00	-40.21
5727.90	39.32	135	1.1	H	-70.03	2.86	12.90	-59.99	-13.00	-46.99
5727.90	29.71	156	1.7	V	-78.79	2.86	12.90	-68.75	-13.00	-55.75

LTE Band 4

Frequency	Receiver Reading	Turn table Angle	RX Antenna		Substituted			Absolute Level	Result	
			Height	Polar	SG Level	Cable	Antenna Gain		Limit	Margin
(MHz)	(dBμV)	Degree	(m)	(H/V)	(dBm)	(dB)	(dB)	(dBm)	(dBm)	(dB)
LTE BAND 4 Channel 19957										
217.32	40.03	327	2.0	H	-70.48	0.15	0.00	-70.63	-13.00	-57.63
217.32	31.29	272	1.0	V	-76.30	0.15	0.00	-76.45	-13.00	-63.45
3421.40	65.95	348	1.6	H	-47.10	2.34	12.40	-37.04	-13.00	-24.04
3421.40	59.98	354	1.4	V	-51.17	2.34	12.40	-41.11	-13.00	-28.11
5132.10	53.58	303	1.9	H	-55.83	2.79	12.70	-45.92	-13.00	-32.92
5132.10	44.73	313	1.9	V	-64.04	2.79	12.70	-54.13	-13.00	-41.13
LTE BAND 4 Channel 20175										
217.32	39.78	28	2.0	H	-70.73	0.15	0.00	-70.88	-13.00	-57.88
217.32	30.36	127	2.2	V	-77.23	0.15	0.00	-77.38	-13.00	-64.38
3465.00	58.24	359	1.6	H	-54.81	2.37	12.50	-44.68	-13.00	-31.68
3465.00	52.01	182	1.8	V	-59.14	2.37	12.50	-49.01	-13.00	-36.01
5197.50	47.55	96	1.5	H	-61.86	2.79	12.70	-51.95	-13.00	-38.95
5197.50	37.53	50	1.0	V	-71.24	2.79	12.70	-61.33	-13.00	-48.33
LTE BAND 4 Channel 20393										
217.32	40.00	41	1.7	H	-70.51	0.15	0.00	-70.66	-13.00	-57.66
217.32	31.11	287	1.4	V	-76.48	0.15	0.00	-76.63	-13.00	-63.63
3508.60	50.37	253	1.1	H	-62.27	2.37	12.50	-52.14	-13.00	-39.14
3508.60	45.53	221	1.6	V	-65.20	2.37	12.50	-55.07	-13.00	-42.07
5262.90	41.43	282	1.8	H	-68.15	2.81	12.80	-58.16	-13.00	-45.16
5262.90	30.45	49	1.0	V	-78.35	2.81	12.80	-68.36	-13.00	-55.36

LTE Band 5

frequency	Receiver Reading	Turn table Angle	RX Antenna		Substituted			Absolute Level	Result	
			Height	Polar	SG Level	Cable	Antenna Gain		Limit	Margin
(MHz)	(dBμV)	Degree	(m)	(H/V)	(dBm)	(dB)	(dB)	(dBm)	(dBm)	(dB)
LTE BAND 5 Channel 20407										
217.32	41.82	149	1.5	H	-68.69	0.15	0.00	-68.84	-13.00	-55.84
217.32	30.91	40	1.5	V	-76.68	0.15	0.00	-76.83	-13.00	-63.83
1649.40	65.95	214	1.3	H	-47.10	2.34	12.40	-37.04	-13.00	-24.04
1649.40	59.98	155	2.2	V	-51.17	2.34	12.40	-41.11	-13.00	-28.11
2474.10	53.58	55	1.4	H	-55.83	2.79	12.70	-45.92	-13.00	-32.92
2474.10	44.73	151	1.2	V	-64.04	2.79	12.70	-54.13	-13.00	-41.13
LTE BAND 5 Channel 20525										
217.32	41.39	228	1.1	H	-69.12	0.15	0.00	-69.27	-13.00	-56.27
217.32	31.41	14	1.7	V	-76.18	0.15	0.00	-76.33	-13.00	-63.33
1673.00	59.40	292	1.9	H	-53.65	2.37	12.50	-43.52	-13.00	-30.52
1673.00	52.06	246	2.1	V	-59.09	2.37	12.50	-48.96	-13.00	-35.96
2509.50	46.90	330	1.7	H	-62.51	2.79	12.70	-52.60	-13.00	-39.60
2509.50	37.31	88	2.2	V	-71.46	2.79	12.70	-61.55	-13.00	-48.55
LTE BAND 5 Channel 20643										
217.32	41.46	198	1.5	H	-69.05	0.15	0.00	-69.20	-13.00	-56.20
217.32	31.73	355	2.1	V	-75.86	0.15	0.00	-76.01	-13.00	-63.01
1696.60	52.78	10	1.0	H	-59.86	2.37	12.50	-49.73	-13.00	-36.73
1696.60	44.51	171	1.7	V	-66.22	2.37	12.50	-56.09	-13.00	-43.09
2544.90	40.23	26	1.3	H	-69.35	2.81	12.80	-59.36	-13.00	-46.36
2544.90	30.44	174	1.9	V	-78.36	2.81	12.80	-68.37	-13.00	-55.37

LTE Band 7

Frequency	Receiver Reading	Turn table Angle	RX Antenna		Substituted			Absolute Level	Result	
			Height	Polar	SG Level	Cable	Antenna Gain		Limit	Margin
(MHz)	(dBμV)	Degree	(m)	(H/V)	(dBm)	(dB)	(dB)	(dBm)	(dBm)	(dB)
LTE BAND 7 Channel 20775										
199.38	41.02	293	1.4	H	-69.49	0.15	0.00	-69.64	-25.00	-44.64
199.38	30.51	172	1.4	V	-77.08	0.15	0.00	-77.23	-25.00	-52.23
5005.00	65.95	327	1.8	H	-43.29	2.79	12.70	-33.38	-25.00	-8.38
5005.00	59.98	239	1.9	V	-48.79	2.79	12.70	-38.88	-25.00	-13.88
7507.50	53.58	62	1.1	H	-52.96	3.12	11.50	-44.58	-25.00	-19.58
7507.50	44.73	317	2.2	V	-60.70	3.12	11.50	-52.32	-25.00	-27.32
LTE BAND 7 Channel 21100										
199.38	40.30	169	1.4	H	-70.21	0.15	0.00	-70.36	-25.00	-45.36
199.38	31.28	255	1.3	V	-76.31	0.15	0.00	-76.46	-25.00	-51.46
5070.00	59.25	115	1.8	H	-49.99	2.37	12.50	-39.86	-25.00	-14.86
5070.00	53.58	285	1.1	V	-55.19	2.37	12.50	-45.06	-25.00	-20.06
7605.00	47.47	248	1.5	H	-59.07	3.12	11.50	-50.69	-25.00	-25.69
7605.00	37.86	35	1.7	V	-67.57	3.12	11.50	-59.19	-25.00	-34.19
LTE BAND 7 Channel 21425										
199.38	40.19	227	2.1	H	-70.32	0.15	0.00	-70.47	-25.00	-45.47
199.38	31.03	253	1.6	V	-76.56	0.15	0.00	-76.71	-25.00	-51.71
5135.00	51.68	122	1.1	H	-57.73	2.37	12.50	-47.60	-25.00	-22.60
5135.00	46.22	141	2.0	V	-62.55	2.37	12.50	-52.42	-25.00	-27.42
7702.50	39.56	98	1.8	H	-65.67	3.12	11.50	-57.29	-25.00	-32.29
7702.50	31.37	245	1.9	V	-73.52	3.12	11.50	-65.14	-25.00	-40.14

LTE Band 12

Frequency	Receiver Reading	Turn table Angle	RX Antenna		Substituted			Absolute Level	Result	
			Height	Polar	SG Level	Cable	Antenna Gain		Limit	Margin
(MHz)	(dBμV)	Degree	(m)	(H/V)	(dBm)	(dB)	(dB)	(dBm)	(dBm)	(dB)
LTE BAND 12 Channel 23017										
223.12	54.35	169	1.5	H	-56.16	0.15	0.00	-56.31	-13.00	-43.31
223.12	44.02	11	2.1	V	-63.57	0.15	0.00	-63.72	-13.00	-50.72
1399.40	65.95	114	1.8	H	-47.10	2.34	12.40	-37.04	-13.00	-24.04
1399.40	59.98	183	2.0	V	-51.17	2.34	12.40	-41.11	-13.00	-28.11
2099.10	53.58	266	1.8	H	-55.83	2.79	12.70	-45.92	-13.00	-32.92
2099.10	44.73	8	2.0	V	-64.04	2.79	12.70	-54.13	-13.00	-41.13
LTE BAND 12 Channel 23095										
223.12	54.80	168	2.0	H	-55.71	0.15	0.00	-55.86	-13.00	-42.86
223.12	44.53	250	2.2	V	-63.06	0.15	0.00	-63.21	-13.00	-50.21
1415.00	58.49	32	1.7	H	-54.56	2.37	12.50	-44.43	-13.00	-31.43
1415.00	52.58	169	1.0	V	-58.57	2.37	12.50	-48.44	-13.00	-35.44
2122.50	46.16	243	1.4	H	-63.25	2.79	12.70	-53.34	-13.00	-40.34
2122.50	38.29	232	1.8	V	-70.48	2.79	12.70	-60.57	-13.00	-47.57
LTE BAND 12 Channel 23173										
223.12	54.40	48	2.1	H	-56.11	0.15	0.00	-56.26	-13.00	-43.26
223.12	43.62	159	1.7	V	-63.97	0.15	0.00	-64.12	-13.00	-51.12
1430.60	51.96	45	1.0	H	-60.68	2.37	12.50	-50.55	-13.00	-37.55
1430.60	44.77	285	1.6	V	-65.96	2.37	12.50	-55.83	-13.00	-42.83
2145.90	39.21	332	1.2	H	-70.37	2.81	12.80	-60.38	-13.00	-47.38
2145.90	31.94	52	1.0	V	-76.86	2.81	12.80	-66.87	-13.00	-53.87

LTE Band 13

Frequency	Receiver Reading	Turn table Angle	RX Antenna		Substituted			Absolute Level	Result	
			Height	Polar	SG Level	Cable	Antenna Gain		Limit	Margin
(MHz)	(dBμV)	Degree	(m)	(H/V)	(dBm)	(dB)	(dB)	(dBm)	(dBm)	(dB)
LTE BAND 13 Channel 23205										
223.12	38.38	199	1.5	H	-72.13	0.15	0.00	-72.28	-13.00	-59.28
223.12	32.74	93	1.4	V	-74.85	0.15	0.00	-75.00	-13.00	-62.00
1559.00	65.95	59	2.0	H	-51.10	2.34	12.40	-41.04	-13.00	-28.04
1559.00	59.98	358	1.6	V	-51.17	2.34	12.40	-41.11	-13.00	-28.11
2338.50	53.58	254	1.7	H	-55.83	2.79	12.70	-45.92	-13.00	-32.92
2338.50	44.73	333	1.3	V	-64.04	2.79	12.70	-54.13	-13.00	-41.13
LTE BAND 13 Channel 23230										
223.12	38.64	339	1.1	H	-71.87	0.15	0.00	-72.02	-13.00	-59.02
223.12	32.15	289	1.3	V	-75.44	0.15	0.00	-75.59	-13.00	-62.59
1564.00	59.23	191	2.0	H	-53.82	2.37	12.50	-43.69	-13.00	-30.69
1564.00	52.66	198	1.1	V	-58.49	2.37	12.50	-48.36	-13.00	-35.36
2346.00	46.88	230	1.4	H	-62.53	2.79	12.70	-52.62	-13.00	-39.62
2346.00	37.24	247	1.8	V	-71.53	2.79	12.70	-61.62	-13.00	-48.62
LTE BAND 13 Channel 23255										
223.12	38.64	162	1.8	H	-71.87	0.15	0.00	-72.02	-13.00	-59.02
223.12	32.28	28	1.4	V	-75.31	0.15	0.00	-75.46	-13.00	-62.46
1569.00	52.56	121	1.7	H	-60.08	2.37	12.50	-49.95	-13.00	-36.95
1569.00	45.26	268	2.0	V	-65.47	2.37	12.50	-55.34	-13.00	-42.34
2353.50	40.46	284	1.7	H	-69.12	2.81	12.80	-59.13	-13.00	-46.13
2353.50	30.76	236	2.0	V	-78.04	2.81	12.80	-68.05	-13.00	-55.05

LTE Band 66

Frequency	Receiver Reading	Turn table Angle	RX Antenna		Substituted			Absolute Level	Result	
			Height	Polar	SG Level	Cable	Antenna Gain		Limit	Margin
(MHz)	(dBμV)	Degree	(m)	(H/V)	(dBm)	(dB)	(dB)	(dBm)	(dBm)	(dB)
LTE BAND 66 Channel 131979										
215.58	40.42	199	1.3	H	-70.09	0.15	0.00	-70.24	-13.00	-57.24
215.58	30.39	22	2.1	V	-77.20	0.15	0.00	-77.35	-13.00	-64.35
1559.00	65.95	41	1.7	H	-51.10	2.34	12.40	-41.04	-13.00	-28.04
1559.00	59.98	31	1.6	V	-51.17	2.34	12.40	-41.11	-13.00	-28.11
2338.50	53.58	254	1.7	H	-55.83	2.79	12.70	-45.92	-13.00	-32.92
2338.50	44.73	236	1.2	V	-64.04	2.79	12.70	-54.13	-13.00	-41.13
LTE BAND 66 Channel 132321										
215.58	41.35	62	1.4	H	-69.16	0.15	0.00	-69.31	-13.00	-56.31
215.58	30.47	67	1.0	V	-77.12	0.15	0.00	-77.27	-13.00	-64.27
1564.00	58.07	112	1.3	H	-54.98	2.37	12.50	-44.85	-13.00	-31.85
1564.00	53.79	104	1.7	V	-57.36	2.37	12.50	-47.23	-13.00	-34.23
2346.00	46.30	232	1.5	H	-63.11	2.79	12.70	-53.20	-13.00	-40.20
2346.00	38.54	16	1.5	V	-70.23	2.79	12.70	-60.32	-13.00	-47.32
LTE BAND 66 Channel 132664										
215.58	40.93	106	1.9	H	-69.58	0.15	0.00	-69.73	-13.00	-56.73
215.58	29.70	360	1.5	V	-77.89	0.15	0.00	-78.04	-13.00	-65.04
1569.00	51.82	322	1.1	H	-60.82	2.37	12.50	-50.69	-13.00	-37.69
1569.00	46.05	241	2.0	V	-64.68	2.37	12.50	-54.55	-13.00	-41.55
2353.50	39.28	159	1.7	H	-70.30	2.81	12.80	-60.31	-13.00	-47.31
2353.50	30.99	66	1.1	V	-77.81	2.81	12.80	-67.82	-13.00	-54.82

Note: 1) Absolute Level = SG Level - Cable loss + Antenna Gain

2) Margin = Absolute Level - Limit

12 Band Edge Measurement

Test Requirement:	FCC Part 2.1051, 22.917(a), 24.238(a), 27.53(h), 27.53(m)(4); 90.691
Test Method:	ANSI C63.26:2015 ANSI/TIA-603-E:2016
Test Mode:	TX transmitting

12.1 EUT Operation

Operating Environment :

Temperature:	23.5 °C
Humidity:	52.3 % RH
Atmospheric Pressure:	101.3kPa

12.2 Test Procedure

The RF output of the transmitter was connected to the input of the spectrum analyzer through sufficient attenuation.

According to FCC Part 22.917(a), the power of any emissions outside of the authorized operating frequency ranges must be attenuated below the TX transmitting power (P) by a factor of at least $43 + 10 \log(P)$ dB.

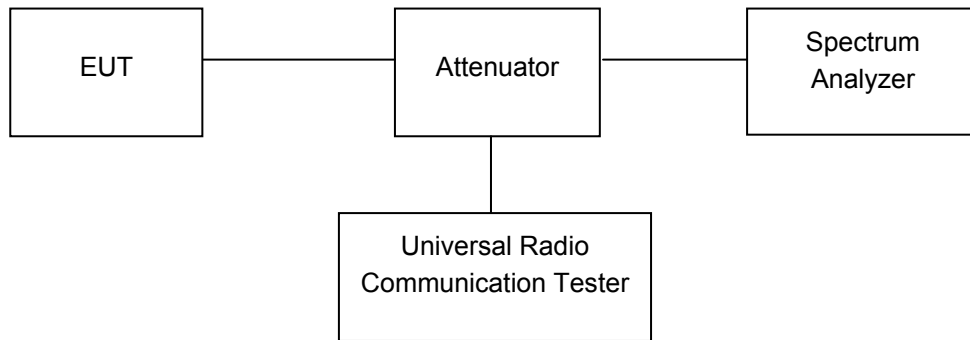
According to FCC Part 24.238(a), the power of any emissions outside of the authorized operating frequency ranges must be attenuated below the TX transmitting power (P) by a factor of at least $43 + 10 \log(P)$ dB.

According to FCC Part 27.53(h), Except as otherwise specified below, for operations in the 1695-1710 MHz, 1710-1755 MHz, 1755-1780 MHz, 1915-1920 MHz, 1995-2000 MHz, 2000-2020 MHz, 2110-2155 MHz, 2155-2180 MHz, and 2180-2200 bands, the power of any emission outside a licensee's frequency block shall be attenuated below the transmitter power (P) in watts by at least $43 + 10 \log_{10}(P)$ dB.

According to FCC Part 27.53(m)(4), For mobile digital stations, the attenuation factor shall be not less than $40 + 10 \log(P)$ dB on all frequencies between the channel edge and 5 megahertz from the channel edge, $43 + 10 \log(P)$ dB on all frequencies between 5 megahertz and X megahertz from the channel edge, and $55 + 10 \log(P)$ dB on all frequencies more than X megahertz from the channel edge, where X is the greater of 6 megahertz or the actual emission bandwidth as defined in paragraph (m)(6) of this section. In addition, the attenuation factor shall not be less that $43 + 10 \log(P)$ dB on all frequencies between 2490.5 MHz and 2496 MHz and $55 + 10 \log(P)$ dB at or below 2490.5 MHz. Mobile Satellite Service licensees operating on frequencies below 2495 MHz may also submit a

documented interference complaint against BRS licensees operating on channel BRS Channel 1 on the same terms and conditions as adjacent channel BRS or EBS licensees.

The center of the spectrum analyzer was set to block edge frequency



12.3 Test Result

PASS

LTE Band

Please refer to the Appendix Band 2/4/5/7/12/13/66 LTE Band Edge.

13 Frequency Stability

Test Requirement:	FCC Part 2.1055, 22.355, 24.235, 27.5(h),27.54; 90.691
Test Method:	ANSI C63.26:2015 ANSI/TIA-603-E:2016
Test Mode:	TX transmitting

13.1 EUT Operation

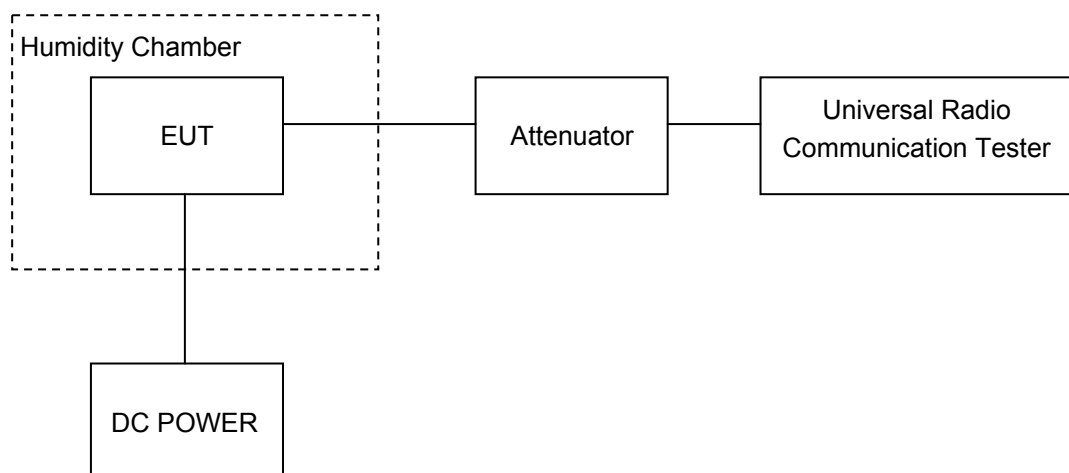
Operating Environment :	
Temperature:	22.9 °C
Humidity:	52.0 % RH
Atmospheric Pressure:	101.3kPa

13.2 Test Procedure

Frequency Stability vs. Temperature: The equipment under test was connected to an external DC power supply and the RF output was connected to communication test set via feed-through attenuators. The EUT was placed inside the temperature chamber. The DC leads and RF output cable exited the chamber through an opening made for the purpose.

After the temperature stabilized for approximately 20 minutes, the frequency output was recorded from the communication test set.

Frequency Stability vs. Voltage: For hand carried, battery powered equipment; reduce primary supply voltage to the battery operating end point which shall be specified by the manufacturer.



13.3 Test Result

LTE Band 2

Test Frequency:1880.0MHz QPSK 1.4MHz				
Temperature (°C)	Power Supply (VDC)	Frequency Error (Hz)	Frequency Error (ppm)	Limit (ppm)
50	3.85	-2	-0.0024	2.5
40		4	0.0048	2.5
30		10	0.0120	2.5
20		6	0.0072	2.5
10		14	0.0167	2.5
0		7	0.0084	2.5
-10		13	0.0155	2.5
-20		8	0.0096	2.5
-30		13	0.0155	2.5
20		3.47	1	0.0012
20	4.24	9	0.0108	2.5

T Test Frequency:1880.0MHz 16QAM 1.4MHz				
Temperature (°C)	Power Supply (VDC)	Frequency Error (Hz)	Frequency Error (ppm)	Limit (ppm)
50	3.85	0	0.0000	2.5
40		16	0.0191	2.5
30		16	0.0191	2.5
20		8	0.0096	2.5
10		6	0.0072	2.5
0		1	0.0012	2.5
-10		12	0.0143	2.5
-20		0	0.0000	2.5
-30		2	0.0024	2.5
20		3.47	11	0.0131
20	4.24	7	0.0084	2.5

LTE Band 2

Test Frequency:1880.0MHz QPSK 3MHz				
Temperature (°C)	Power Supply (VDC)	Frequency Error (Hz)	Frequency Error (ppm)	Limit (ppm)
50	3.85	16	0.0191	2.5
40		2	0.0024	2.5
30		3	0.0036	2.5
20		9	0.0108	2.5
10		7	0.0084	2.5
0		11	0.0131	2.5
-10		1	0.0012	2.5
-20		6	0.0072	2.5
-30		2	0.0024	2.5
20		3.47	14	0.0167
20	4.24	15	0.0179	2.5

Test Frequency:1880.0MHz 16QAM 3MHz				
Temperature (°C)	Power Supply (VDC)	Frequency Error (Hz)	Frequency Error (ppm)	Limit (ppm)
50	3.85	-1	-0.0005	2.5
40		-3	-0.0016	2.5
30		3	0.0016	2.5
20		5	0.0027	2.5
10		11	0.0059	2.5
0		-3	-0.0016	2.5
-10		-2	-0.0011	2.5
-20		11	0.0059	2.5
-30		12	0.0064	2.5
20		3.47	8	0.0043
20	4.24	9	0.0048	2.5

LTE Band 2

Test Frequency:1880.0MHz QPSK 5MHz				
Temperature (°C)	Power Supply (VDC)	Frequency Error (Hz)	Frequency Error (ppm)	Limit (ppm)
50	3.85	5	0.0027	2.5
40		10	0.0053	2.5
30		8	0.0043	2.5
20		8	0.0043	2.5
10		11	0.0059	2.5
0		12	0.0064	2.5
-10		6	0.0032	2.5
-20		17	0.0090	2.5
-30		6	0.0032	2.5
20		3.47	16	0.0085
20	4.24	5	0.0027	2.5

Test Frequency:1880.0MHz 16QAM 5MHz				
Temperature (°C)	Power Supply (VDC)	Frequency Error (Hz)	Frequency Error (ppm)	Limit (ppm)
50	3.85	10	0.0053	2.5
40		-5	-0.0027	2.5
30		-1	-0.0005	2.5
20		2	0.0011	2.5
10		3	0.0016	2.5
0		-7	-0.0037	2.5
-10		0	0.0000	2.5
-20		-5	-0.0027	2.5
-30		4	0.0021	2.5
20		3.47	-6	-0.0032
20	4.24	-3	-0.0016	2.5

LTE Band 2

Test Frequency:1880.0MHz QPSK 10MHz				
Temperature (°C)	Power Supply (VDC)	Frequency Error (Hz)	Frequency Error (ppm)	Limit (ppm)
50	3.85	-4	-0.0021	2.5
40		-2	-0.0011	2.5
30		10	0.0053	2.5
20		4	0.0021	2.5
10		-3	-0.0016	2.5
0		-3	-0.0016	2.5
-10		10	0.0053	2.5
-20		10	0.0053	2.5
-30		1	0.0005	2.5
20		3.47	-2	-0.0011
20	4.24	-4	-0.0021	2.5

Test Frequency:1880.0MHz 16QAM 10MHz				
Temperature (°C)	Power Supply (VDC)	Frequency Error (Hz)	Frequency Error (ppm)	Limit (ppm)
50	3.85	11	0.0063	2.5
40		7	0.0040	2.5
30		14	0.0081	2.5
20		6	0.0035	2.5
10		2	0.0012	2.5
0		4	0.0023	2.5
-10		-2	-0.0012	2.5
-20		8	0.0046	2.5
-30		7	0.0040	2.5
20		3.47	3	0.0017
20	4.24	5	0.0029	2.5

LTE Band 2

Test Frequency:1880.0MHz QPSK 15MHz				
Temperature (°C)	Power Supply (VDC)	Frequency Error (Hz)	Frequency Error (ppm)	Limit (ppm)
50	3.85	8	0.0096	2.5
40		-3	-0.0036	2.5
30		-3	-0.0036	2.5
20		4	0.0048	2.5
10		12	0.0143	2.5
0		11	0.0131	2.5
-10		0	0.0000	2.5
-20		-3	-0.0036	2.5
-30		5	0.0060	2.5
20		3.47	-5	-0.0060
20	4.24	7	0.0084	2.5

Test Frequency:1880.0MHz 16QAM 15MHz				
Temperature (°C)	Power Supply (VDC)	Frequency Error (Hz)	Frequency Error (ppm)	Limit (ppm)
50	3.85	5	0.0027	2.5
40		3	0.0016	2.5
30		14	0.0074	2.5
20		5	0.0027	2.5
10		12	0.0064	2.5
0		6	0.0032	2.5
-10		14	0.0074	2.5
-20		11	0.0059	2.5
-30		10	0.0053	2.5
20		3.47	1	0.0005
20	4.24	-4	-0.0021	2.5

LTE Band 2

Test Frequency:1880.0MHz QPSK 20MHz				
Temperature (°C)	Power Supply (VDC)	Frequency Error (Hz)	Frequency Error (ppm)	Limit (ppm)
50	3.85	7	0.0084	2.5
40		1	0.0012	2.5
30		4	0.0048	2.5
20		1	0.0012	2.5
10		-7	-0.0084	2.5
0		4	0.0048	2.5
-10		-6	-0.0072	2.5
-20		8	0.0096	2.5
-30		-1	-0.0012	2.5
20		3.47	-2	-0.0024
20	4.24	0	0.0000	2.5

Test Frequency:1880.0MHz 16QAM 20MHz				
Temperature (°C)	Power Supply (VDC)	Frequency Error (Hz)	Frequency Error (ppm)	Limit (ppm)
50	3.85	7	0.0040	2.5
40		3	0.0017	2.5
30		9	0.0052	2.5
20		2	0.0012	2.5
10		-6	-0.0035	2.5
0		-4	-0.0023	2.5
-10		-4	-0.0023	2.5
-20		1	0.0006	2.5
-30		-4	-0.0023	2.5
20		3.47	-1	-0.0006
20	4.24	3	0.0017	2.5

LTE Band 4

Test Frequency:1732.5MHz QPSK 1.4MHz				
Temperature (°C)	Power Supply (VDC)	Frequency Error (Hz)	Frequency Error (ppm)	Limit (ppm)
50	3.85	0	0.0000	2.5
40		-5	-0.0060	2.5
30		3	0.0036	2.5
20		1	0.0012	2.5
10		8	0.0096	2.5
0		7	0.0084	2.5
-10		9	0.0108	2.5
-20		-7	-0.0084	2.5
-30		3	0.0036	2.5
20		3.47	-5	-0.0060
20	4.24	1	0.0012	2.5

Test Frequency:1732.5MHz 16QAM 1.4MHz				
Temperature (°C)	Power Supply (VDC)	Frequency Error (Hz)	Frequency Error (ppm)	Limit (ppm)
50	3.85	12	0.0064	2.5
40		10	0.0053	2.5
30		-1	-0.0005	2.5
20		4	0.0021	2.5
10		6	0.0032	2.5
0		10	0.0053	2.5
-10		6	0.0032	2.5
-20		8	0.0043	2.5
-30		1	0.0005	2.5
20		3.47	1	0.0005
20	4.24	8	0.0043	2.5

LTE Band 4

Test Frequency:1732.5MHz QPSK 3MHz				
Temperature (°C)	Power Supply (VDC)	Frequency Error (Hz)	Frequency Error (ppm)	Limit (ppm)
50	3.85	10	0.0053	2.5
40		2	0.0011	2.5
30		14	0.0074	2.5
20		5	0.0027	2.5
10		4	0.0021	2.5
0		9	0.0048	2.5
-10		-4	-0.0021	2.5
-20		9	0.0048	2.5
-30		0	0.0000	2.5
20		3.47	1	0.0005
20	4.24	2	0.0011	2.5

Test Frequency:1732.5MHz 16QAM 3MHz				
Temperature (°C)	Power Supply (VDC)	Frequency Error (Hz)	Frequency Error (ppm)	Limit (ppm)
50	3.85	14	0.0167	2.5
40		13	0.0155	2.5
30		8	0.0096	2.5
20		9	0.0108	2.5
10		13	0.0155	2.5
0		12	0.0143	2.5
-10		4	0.0048	2.5
-20		3	0.0036	2.5
-30		6	0.0072	2.5
20		3.47	10	0.0120
20	4.24	1	0.0012	2.5

LTE Band 4

Test Frequency:1732.5MHz QPSK 5MHz				
Temperature (°C)	Power Supply (VDC)	Frequency Error (Hz)	Frequency Error (ppm)	Limit (ppm)
50	3.85	0	0.0000	2.5
40		8	0.0096	2.5
30		9	0.0108	2.5
20		6	0.0072	2.5
10		1	0.0012	2.5
0		9	0.0108	2.5
-10		-1	-0.0012	2.5
-20		14	0.0167	2.5
-30		-2	-0.0024	2.5
20		3.47	10	0.0120
20	4.24	2	0.0024	2.5

Test Frequency:1732.5MHz 16QAM 5MHz				
Temperature (°C)	Power Supply (VDC)	Frequency Error (Hz)	Frequency Error (ppm)	Limit (ppm)
50	3.85	15	0.0179	2.5
40		5	0.0060	2.5
30		13	0.0155	2.5
20		9	0.0108	2.5
10		16	0.0191	2.5
0		5	0.0060	2.5
-10		11	0.0131	2.5
-20		8	0.0096	2.5
-30		5	0.0060	2.5
20		3.47	4	0.0048
20	4.24	5	0.0060	2.5

LTE Band 4

Test Frequency:1732.5MHz QPSK 10MHz				
Temperature (°C)	Power Supply (VDC)	Frequency Error (Hz)	Frequency Error (ppm)	Limit (ppm)
50	3.85	10	0.0053	2.5
40		-1	-0.0005	2.5
30		8	0.0043	2.5
20		5	0.0027	2.5
10		-1	-0.0005	2.5
0		-3	-0.0016	2.5
-10		6	0.0032	2.5
-20		-1	-0.0005	2.5
-30		13	0.0069	2.5
20		3.47	-2	-0.0011
20	4.24	-3	-0.0016	2.5

Test Frequency:1732.5MHz 16QAM 10MHz				
Temperature (°C)	Power Supply (VDC)	Frequency Error (Hz)	Frequency Error (ppm)	Limit (ppm)
50	3.85	10	0.0053	2.5
40		5	0.0027	2.5
30		8	0.0043	2.5
20		6	0.0032	2.5
10		0	0.0000	2.5
0		8	0.0043	2.5
-10		-1	-0.0005	2.5
-20		12	0.0064	2.5
-30		2	0.0011	2.5
20		3.47	6	0.0032
20	4.24	-1	-0.0005	2.5

LTE Band 4

Test Frequency:1732.5MHz QPSK 15MHz				
Temperature (°C)	Power Supply (VDC)	Frequency Error (Hz)	Frequency Error (ppm)	Limit (ppm)
50	3.85	6	0.0032	2.5
40		9	0.0048	2.5
30		-3	-0.0016	2.5
20		4	0.0021	2.5
10		7	0.0037	2.5
0		-1	-0.0005	2.5
-10		1	0.0005	2.5
-20		11	0.0059	2.5
-30		5	0.0027	2.5
20		3.47	8	0.0043
20	4.24	7	0.0037	2.5

Test Frequency:1732.5MHz 16QAM 15MHz				
Temperature (°C)	Power Supply (VDC)	Frequency Error (Hz)	Frequency Error (ppm)	Limit (ppm)
50	3.85	7	0.0084	2.5
40		2	0.0024	2.5
30		-2	-0.0024	2.5
20		6	0.0072	2.5
10		10	0.0120	2.5
0		10	0.0120	2.5
-10		-1	-0.0012	2.5
-20		4	0.0048	2.5
-30		15	0.0179	2.5
20		3.47	12	0.0143
20	4.24	7	0.0084	2.5

LTE Band 4

Test Frequency:1732.5MHz QPSK 20MHz				
Temperature (°C)	Power Supply (VDC)	Frequency Error (Hz)	Frequency Error (ppm)	Limit (ppm)
50	3.85	-7	-0.0084	2.5
40		6	0.0072	2.5
30		-6	-0.0072	2.5
20		1	0.0012	2.5
10		3	0.0036	2.5
0		2	0.0024	2.5
-10		-3	-0.0036	2.5
-20		4	0.0048	2.5
-30		6	0.0072	2.5
20		3.47	-6	-0.0072
20	4.24	1	0.0012	2.5

Test Frequency:1732.5MHz 16QAM 20MHz				
Temperature (°C)	Power Supply (VDC)	Frequency Error (Hz)	Frequency Error (ppm)	Limit (ppm)
50	3.85	9	0.0052	2.5
40		6	0.0035	2.5
30		0	0.0000	2.5
20		2	0.0012	2.5
10		2	0.0012	2.5
0		-1	-0.0006	2.5
-10		-5	-0.0029	2.5
-20		6	0.0035	2.5
-30		7	0.0040	2.5
20		3.47	-3	-0.0017
20	4.24	-4	-0.0023	2.5

LTE Band 5

Test Frequency:836.5MHz QPSK 1.4MHz				
Temperature (°C)	Power Supply (VDC)	Frequency Error (Hz)	Frequency Error (ppm)	Limit (ppm)
50	3.85	3	0.0016	2.5
40		10	0.0053	2.5
30		-1	-0.0005	2.5
20		5	0.0027	2.5
10		4	0.0021	2.5
0		12	0.0064	2.5
-10		4	0.0021	2.5
-20		5	0.0027	2.5
-30		-1	-0.0005	2.5
20		3.47	-3	-0.0016
20	4.24	2	0.0011	2.5

Test Frequency:836.5MHz 16QAM 1.4MHz				
Temperature (°C)	Power Supply (VDC)	Frequency Error (Hz)	Frequency Error (ppm)	Limit (ppm)
50	3.85	5	0.0060	2.5
40		13	0.0155	2.5
30		1	0.0012	2.5
20		9	0.0108	2.5
10		3	0.0036	2.5
0		15	0.0179	2.5
-10		9	0.0108	2.5
-20		7	0.0084	2.5
-30		0	0.0000	2.5
20		3.47	16	0.0191
20	4.24	6	0.0072	2.5

LTE Band 5

Test Frequency:836.5MHz QPSK 3MHz				
Temperature (°C)	Power Supply (VDC)	Frequency Error (Hz)	Frequency Error (ppm)	Limit (ppm)
50	3.85	16	0.0191	2.5
40		5	0.0060	2.5
30		6	0.0072	2.5
20		8	0.0096	2.5
10		3	0.0036	2.5
0		9	0.0108	2.5
-10		16	0.0191	2.5
-20		14	0.0167	2.5
-30		14	0.0167	2.5
20		3.47	7	0.0084
20	4.24	11	0.0131	2.5

Test Frequency:836.5MHz 16QAM 3MHz				
Temperature (°C)	Power Supply (VDC)	Frequency Error (Hz)	Frequency Error (ppm)	Limit (ppm)
50	3.85	9	0.0108	2.5
40		3	0.0036	2.5
30		12	0.0143	2.5
20		6	0.0072	2.5
10		8	0.0096	2.5
0		4	0.0048	2.5
-10		14	0.0167	2.5
-20		0	0.0000	2.5
-30		5	0.0060	2.5
20		3.47	8	0.0096
20	4.24	9	0.0108	2.5

LTE Band 5

Test Frequency:836.5MHz QPSK 5MHz				
Temperature (°C)	Power Supply (VDC)	Frequency Error (Hz)	Frequency Error (ppm)	Limit (ppm)
50	3.85	14	0.0074	2.5
40		-4	-0.0021	2.5
30		12	0.0064	2.5
20		5	0.0027	2.5
10		12	0.0064	2.5
0		10	0.0053	2.5
-10		4	0.0021	2.5
-20		-1	-0.0005	2.5
-30		3	0.0016	2.5
20		3.47	2	0.0011
20	4.24	5	0.0027	2.5

Test Frequency:836.5MHz 16QAM 5MHz				
Temperature (°C)	Power Supply (VDC)	Frequency Error (Hz)	Frequency Error (ppm)	Limit (ppm)
50	3.85	9	0.0048	2.5
40		14	0.0074	2.5
30		10	0.0053	2.5
20		6	0.0032	2.5
10		12	0.0064	2.5
0		12	0.0064	2.5
-10		13	0.0069	2.5
-20		12	0.0064	2.5
-30		-2	-0.0011	2.5
20		3.47	8	0.0043
20	4.24	1	0.0005	2.5

LTE Band 5

Test Frequency:836.5MHz QPSK 10MHz				
Temperature (°C)	Power Supply (VDC)	Frequency Error (Hz)	Frequency Error (ppm)	Limit (ppm)
50	3.85	3	0.0016	2.5
40		11	0.0059	2.5
30		-2	-0.0011	2.5
20		4	0.0021	2.5
10		0	0.0000	2.5
0		8	0.0043	2.5
-10		1	0.0005	2.5
-20		12	0.0064	2.5
-30		11	0.0059	2.5
20		3.47	-4	-0.0021
20	4.24	2	0.0011	2.5

Test Frequency:836.5MHz 16QAM 10MHz				
Temperature (°C)	Power Supply (VDC)	Frequency Error (Hz)	Frequency Error (ppm)	Limit (ppm)
50	3.85	4	0.0021	2.5
40		3	0.0016	2.5
30		-1	-0.0005	2.5
20		5	0.0027	2.5
10		11	0.0059	2.5
0		-4	-0.0021	2.5
-10		4	0.0021	2.5
-20		10	0.0053	2.5
-30		-4	-0.0021	2.5
20		3.47	3	0.0016
20	4.24	0	0.0000	2.5

LTE Band 7

Test Frequency:2535MHz QPSK 5MHz				
Temperature (°C)	Power Supply (VDC)	Frequency Error (Hz)	Frequency Error (ppm)	Limit (ppm)
50	3.85	-6	-0.0035	2.5
40		7	0.0040	2.5
30		10	0.0058	2.5
20		2	0.0012	2.5
10		2	0.0012	2.5
0		-5	-0.0029	2.5
-10		5	0.0029	2.5
-20		3	0.0017	2.5
-30		7	0.0040	2.5
20		3.47	2	0.0012
20	4.24	8	0.0046	2.5

Test Frequency:2535MHz 16QAM 5MHz				
Temperature (°C)	Power Supply (VDC)	Frequency Error (Hz)	Frequency Error (ppm)	Limit (ppm)
50	3.85	4	0.0048	2.5
40		-6	-0.0072	2.5
30		-5	-0.0060	2.5
20		1	0.0012	2.5
10		7	0.0084	2.5
0		0	0.0000	2.5
-10		3	0.0036	2.5
-20		-7	-0.0084	2.5
-30		-8	-0.0096	2.5
20		3.47	-2	-0.0024
20	4.24	4	0.0048	2.5

LTE Band 7

Test Frequency:2535MHz QPSK 10MHz				
Temperature (°C)	Power Supply (VDC)	Frequency Error (Hz)	Frequency Error (ppm)	Limit (ppm)
50	3.85	-3	-0.0016	(ppm)
40		3	0.0016	2.5
30		4	0.0021	2.5
20		3	0.0016	2.5
10		-1	-0.0005	2.5
0		3	0.0016	2.5
-10		0	0.0000	2.5
-20		-3	-0.0016	2.5
-30		-1	-0.0005	2.5
20		3.47	2	0.0011
20	4.24	11	0.0059	2.5

Test Frequency:2535MHz 16QAM 10MHz				
Temperature (°C)	Power Supply (VDC)	Frequency Error (Hz)	Frequency Error (ppm)	Limit (ppm)
50	3.85	13	0.0069	2.5
40		-1	-0.0005	2.5
30		13	0.0069	2.5
20		5	0.0027	2.5
10		6	0.0032	2.5
0		8	0.0043	2.5
-10		0	0.0000	2.5
-20		8	0.0043	2.5
-30		7	0.0037	2.5
20		3.47	7	0.0037
20	4.24	12	0.0064	2.5

LTE Band 7

Test Frequency:2535MHz QPSK 15MHz				
Temperature (°C)	Power Supply (VDC)	Frequency Error (Hz)	Frequency Error (ppm)	Limit (ppm)
50	3.85	16	0.0191	2.5
40		2	0.0024	2.5
30		17	0.0203	2.5
20		9	0.0108	2.5
10		0	0.0000	2.5
0		0	0.0000	2.5
-10		16	0.0191	2.5
-20		13	0.0155	2.5
-30		1	0.0012	2.5
20		3.47	7	0.0084
20	4.24	0	0.0000	2.5

Test Frequency:2535MHz 16QAM 15MHz				
Temperature (°C)	Power Supply (VDC)	Frequency Error (Hz)	Frequency Error (ppm)	Limit (ppm)
50	3.85	8	0.0043	2.5
40		-3	-0.0016	2.5
30		5	0.0027	2.5
20		5	0.0027	2.5
10		2	0.0011	2.5
0		-2	-0.0011	2.5
-10		0	0.0000	2.5
-20		9	0.0048	2.5
-30		5	0.0027	2.5
20		3.47	2	0.0011
20	4.24	4	0.0021	2.5

LTE Band 7

Test Frequency:2535MHz QPSK 20MHz				
Temperature (°C)	Power Supply (VDC)	Frequency Error (Hz)	Frequency Error (ppm)	Limit (ppm)
50	3.85	3	0.0036	2.5
40		8	0.0096	2.5
30		5	0.0060	2.5
20		6	0.0072	2.5
10		-3	-0.0036	2.5
0		11	0.0131	2.5
-10		11	0.0131	2.5
-20		2	0.0024	2.5
-30		12	0.0143	2.5
20		3.47	14	0.0167
20	4.24	0	0.0000	2.5

Test Frequency:2535MHz 16QAM 20MHz				
Temperature (°C)	Power Supply (VDC)	Frequency Error (Hz)	Frequency Error (ppm)	Limit (ppm)
50	3.85	10	0.0053	2.5
40		-2	-0.0011	2.5
30		2	0.0011	2.5
20		3	0.0016	2.5
10		2	0.0011	2.5
0		-3	-0.0016	2.5
-10		3	0.0016	2.5
-20		11	0.0059	2.5
-30		0	0.0000	2.5
20		3.47	2	0.0011
20	4.24	4	0.0021	2.5

LTE Band 12

Test Frequency:707.5MHz QPSK 1.4MHz				
Temperature (°C)	Power Supply (VDC)	Frequency Error (Hz)	Frequency Error (ppm)	Limit (ppm)
50	3.85	-5	-0.0027	2.5
40		-5	-0.0027	2.5
30		-3	-0.0016	2.5
20		4	0.0021	2.5
10		9	0.0048	2.5
0		3	0.0016	2.5
-10		10	0.0053	2.5
-20		0	0.0000	2.5
-30		-5	-0.0027	2.5
20		3.47	8	0.0043
20	4.24	5	0.0027	2.5

Test Frequency:707.5MHz 16QAM 1.4MHz				
Temperature (°C)	Power Supply (VDC)	Frequency Error (Hz)	Frequency Error (ppm)	Limit (ppm)
50	3.85	8	0.0046	2.5
40		6	0.0035	2.5
30		1	0.0006	2.5
20		2	0.0012	2.5
10		5	0.0029	2.5
0		-6	-0.0035	2.5
-10		-5	-0.0029	2.5
-20		-5	-0.0029	2.5
-30		10	0.0058	2.5
20		3.47	6	0.0035
20	4.24	1	0.0006	2.5

LTE Band 12

Test Frequency:707.5MHz QPSK 3MHz				
Temperature (°C)	Power Supply (VDC)	Frequency Error (Hz)	Frequency Error (ppm)	Limit (ppm)
50	3.85	12	0.0064	2.5
40		11	0.0059	2.5
30		7	0.0037	2.5
20		5	0.0027	2.5
10		0	0.0000	2.5
0		13	0.0069	2.5
-10		4	0.0021	2.5
-20		7	0.0037	2.5
-30		2	0.0011	2.5
20		3.47	-1	-0.0005
20	4.24	6	0.0032	2.5

Test Frequency:707.5MHz 16QAM 3MHz				
Temperature (°C)	Power Supply (VDC)	Frequency Error (Hz)	Frequency Error (ppm)	Limit (ppm)
50	3.85	-1	-0.0012	2.5
40		-2	-0.0024	2.5
30		1	0.0012	2.5
20		1	0.0012	2.5
10		3	0.0036	2.5
0		-4	-0.0048	2.5
-10		9	0.0108	2.5
-20		-7	-0.0084	2.5
-30		2	0.0024	2.5
20		3.47	8	0.0096
20	4.24	9	0.0108	2.5

LTE Band 12

Test Frequency:707.5MHz QPSK 5MHz				
Temperature (°C)	Power Supply (VDC)	Frequency Error (Hz)	Frequency Error (ppm)	Limit (ppm)
50	3.85	8	0.0043	2.5
40		-4	-0.0021	2.5
30		-1	-0.0005	2.5
20		5	0.0027	2.5
10		5	0.0027	2.5
0		6	0.0032	2.5
-10		-1	-0.0005	2.5
-20		3	0.0016	2.5
-30		11	0.0059	2.5
20		3.47	3	0.0016
20	4.24	-1	-0.0005	2.5

Test Frequency:707.5MHz 16QAM 5MHz				
Temperature (°C)	Power Supply (VDC)	Frequency Error (Hz)	Frequency Error (ppm)	Limit (ppm)
50	3.85	-4	-0.0021	2.5
40		9	0.0048	2.5
30		8	0.0043	2.5
20		4	0.0021	2.5
10		6	0.0032	2.5
0		10	0.0053	2.5
-10		-2	-0.0011	2.5
-20		1	0.0005	2.5
-30		6	0.0032	2.5
20		3.47	9	0.0048
20	4.24	12	0.0064	2.5

LTE Band 12

Test Frequency:707.5MHz QPSK 10MHz				
Temperature (°C)	Power Supply (VDC)	Frequency Error (Hz)	Frequency Error (ppm)	Limit (ppm)
50	3.85	0	0.0000	2.5
40		1	0.0005	2.5
30		9	0.0048	2.5
20		3	0.0016	2.5
10		2	0.0011	2.5
0		2	0.0011	2.5
-10		-1	-0.0005	2.5
-20		4	0.0021	2.5
-30		-3	-0.0016	2.5
20		3.47	4	0.0021
20	4.24	2	0.0011	2.5

Test Frequency:707.5MHz 16QAM 10MHz				
Temperature (°C)	Power Supply (VDC)	Frequency Error (Hz)	Frequency Error (ppm)	Limit (ppm)
50	3.85	4	0.0048	2.5
40		13	0.0155	2.5
30		13	0.0155	2.5
20		8	0.0096	2.5
10		11	0.0131	2.5
0		3	0.0036	2.5
-10		12	0.0143	2.5
-20		2	0.0024	2.5
-30		15	0.0179	2.5
20		3.47	1	0.0012
20	4.24	3	0.0036	2.5

LTE Band 13

Test Frequency: 782.0MHz QPSK 5MHz				
Temperature (°C)	Power Supply (VDC)	Frequency Error (Hz)	Frequency Error (ppm)	Limit (ppm)
50	3.85	15	0.0179	2.5
40		-1	-0.0012	2.5
30		5	0.0060	2.5
20		6	0.0072	2.5
10		5	0.0060	2.5
0		5	0.0060	2.5
-10		-1	-0.0012	2.5
-20		12	0.0143	2.5
-30		11	0.0131	2.5
20		3.47	1	0.0012
20	4.24	8	0.0096	2.5

Test Frequency: 782.0MHz 16QAM 5MHz				
Temperature (°C)	Power Supply (VDC)	Frequency Error (Hz)	Frequency Error (ppm)	Limit (ppm)
50	3.85	-5	-0.0060	2.5
40		-5	-0.0060	2.5
30		-2	-0.0024	2.5
20		1	0.0012	2.5
10		10	0.0120	2.5
0		-2	-0.0024	2.5
-10		6	0.0072	2.5
-20		10	0.0120	2.5
-30		-7	-0.0084	2.5
20		3.47	5	0.0060
20	4.24	8	0.0096	2.5

LTE Band 13

Test Frequency: 782.0MHz QPSK 10MHz				
Temperature (°C)	Power Supply (VDC)	Frequency Error (Hz)	Frequency Error (ppm)	Limit (ppm)
50	3.85	11	0.0059	2.5
40		4	0.0021	2.5
30		4	0.0021	2.5
20		5	0.0027	2.5
10		9	0.0048	2.5
0		9	0.0048	2.5
-10		12	0.0064	2.5
-20		-4	-0.0021	2.5
-30		3	0.0016	2.5
20		3.47	3	0.0016
20	4.24	7	0.0037	2.5

Test Frequency: 782.0MHz 16QAM 10MHz				
Temperature (°C)	Power Supply (VDC)	Frequency Error (Hz)	Frequency Error (ppm)	Limit (ppm)
50	3.85	-1	-0.0006	2.5
40		1	0.0006	2.5
30		8	0.0046	2.5
20		2	0.0012	2.5
10		-2	-0.0012	2.5
0		8	0.0046	2.5
-10		10	0.0058	2.5
-20		6	0.0035	2.5
-30		-1	-0.0006	2.5
20		3.47	9	0.0052
20	4.24	1	0.0006	2.5

LTE Band 66

Test Frequency:1744.9MHz QPSK 1.4MHz				
Temperature (°C)	Power Supply (VDC)	Frequency Error (Hz)	Frequency Error (ppm)	Limit (ppm)
50	3.85	-5	-0.0060	2.5
40		-5	-0.0060	2.5
30		-2	-0.0024	2.5
20		1	0.0012	2.5
10		10	0.0120	2.5
0		-2	-0.0024	2.5
-10		6	0.0072	2.5
-20		10	0.0120	2.5
-30		-7	-0.0084	2.5
20		3.47	5	0.0060
20	4.24	8	0.0096	2.5

T Test Frequency:1744.9MHz 16QAM 1.4MHz				
Temperature (°C)	Power Supply (VDC)	Frequency Error (Hz)	Frequency Error (ppm)	Limit (ppm)
50	3.85	0	0.0000	2.5
40		0	0.0000	2.5
30		2	0.0011	2.5
20		4	0.0021	2.5
10		12	0.0064	2.5
0		-3	-0.0016	2.5
-10		-2	-0.0011	2.5
-20		-3	-0.0016	2.5
-30		6	0.0032	2.5
20		3.47	0	0.0000
20	4.24	-1	-0.0005	2.5

LTE Band 66

Test Frequency:1744.9MHz QPSK 3MHz				
Temperature (°C)	Power Supply (VDC)	Frequency Error (Hz)	Frequency Error (ppm)	Limit (ppm)
50	3.85	-6	-0.0032	2.5
40		6	0.0032	2.5
30		4	0.0021	2.5
20		3	0.0016	2.5
10		0	0.0000	2.5
0		6	0.0032	2.5
-10		10	0.0053	2.5
-20		12	0.0064	2.5
-30		9	0.0048	2.5
20		3.47	-3	-0.0016
20	4.24	-5	-0.0027	2.5

Test Frequency:1744.9MHz 16QAM 3MHz				
Temperature (°C)	Power Supply (VDC)	Frequency Error (Hz)	Frequency Error (ppm)	Limit (ppm)
50	3.85	14	0.0167	2.5
40		12	0.0143	2.5
30		10	0.0120	2.5
20		8	0.0096	2.5
10		7	0.0084	2.5
0		2	0.0024	2.5
-10		1	0.0012	2.5
-20		5	0.0060	2.5
-30		-1	-0.0012	2.5
20		3.47	14	0.0167
20	4.24	7	0.0084	2.5

LTE Band 66

Test Frequency:1744.9MHz QPSK 5MHz				
Temperature (°C)	Power Supply (VDC)	Frequency Error (Hz)	Frequency Error (ppm)	Limit (ppm)
50	3.85	3	0.0036	2.5
40		15	0.0179	2.5
30		10	0.0120	2.5
20		6	0.0072	2.5
10		-2	-0.0024	2.5
0		1	0.0012	2.5
-10		0	0.0000	2.5
-20		-1	-0.0012	2.5
-30		10	0.0120	2.5
20		3.47	11	0.0131
20	4.24	-1	-0.0012	2.5

Test Frequency:1744.9MHz 16QAM 5MHz				
Temperature (°C)	Power Supply (VDC)	Frequency Error (Hz)	Frequency Error (ppm)	Limit (ppm)
50	3.85	2	0.0024	2.5
40		12	0.0143	2.5
30		7	0.0084	2.5
20		9	0.0108	2.5
10		10	0.0120	2.5
0		1	0.0012	2.5
-10		10	0.0120	2.5
-20		9	0.0108	2.5
-30		15	0.0179	2.5
20		3.47	16	0.0191
20	4.24	12	0.0143	2.5

LTE Band 66

Test Frequency:1744.9MHz QPSK 10MHz				
Temperature (°C)	Power Supply (VDC)	Frequency Error (Hz)	Frequency Error (ppm)	Limit (ppm)
50	3.85	-3	-0.0016	2.5
40		11	0.0059	2.5
30		6	0.0032	2.5
20		3	0.0016	2.5
10		2	0.0011	2.5
0		-1	-0.0005	2.5
-10		0	0.0000	2.5
-20		0	0.0000	2.5
-30		2	0.0011	2.5
20		3.47	3	0.0016
20	4.24	11	0.0059	2.5

Test Frequency:1744.9MHz 16QAM 10MHz				
Temperature (°C)	Power Supply (VDC)	Frequency Error (Hz)	Frequency Error (ppm)	Limit (ppm)
50	3.85	-1	-0.0005	2.5
40		1	0.0005	2.5
30		1	0.0005	2.5
20		5	0.0027	2.5
10		5	0.0027	2.5
0		8	0.0043	2.5
-10		13	0.0069	2.5
-20		3	0.0016	2.5
-30		12	0.0064	2.5
20		3.47	8	0.0043
20	4.24	3	0.0016	2.5

LTE Band 66

Test Frequency:1744.9MHz QPSK 15MHz				
Temperature (°C)	Power Supply (VDC)	Frequency Error (Hz)	Frequency Error (ppm)	Limit (ppm)
50	3.85	-4	-0.0048	2.5
40		3	0.0036	2.5
30		-2	-0.0024	2.5
20		1	0.0012	2.5
10		0	0.0000	2.5
0		-3	-0.0036	2.5
-10		2	0.0024	2.5
-20		6	0.0072	2.5
-30		2	0.0024	2.5
20		3.47	-7	-0.0084
20	4.24	5	0.0060	2.5

Test Frequency:1744.9MHz 16QAM 15MHz				
Temperature (°C)	Power Supply (VDC)	Frequency Error (Hz)	Frequency Error (ppm)	Limit (ppm)
50	3.85	5	0.0029	2.5
40		8	0.0046	2.5
30		-5	-0.0029	2.5
20		2	0.0012	2.5
10		3	0.0017	2.5
0		6	0.0035	2.5
-10		6	0.0035	2.5
-20		7	0.0040	2.5
-30		2	0.0012	2.5
20		3.47	9	0.0052
20	4.24	8	0.0046	2.5

LTE Band 66

Test Frequency:1744.9MHz QPSK 20MHz				
Temperature (°C)	Power Supply (VDC)	Frequency Error (Hz)	Frequency Error (ppm)	Limit (ppm)
50	3.85	3	0.0016	2.5
40		-1	-0.0005	2.5
30		3	0.0016	2.5
20		5	0.0027	2.5
10		3	0.0016	2.5
0		-3	-0.0016	2.5
-10		0	0.0000	2.5
-20		10	0.0053	2.5
-30		8	0.0043	2.5
20		3.47	9	0.0048
20	4.24	1	0.0005	2.5

Test Frequency:1744.9MHz 16QAM 20MHz				
Temperature (°C)	Power Supply (VDC)	Frequency Error (Hz)	Frequency Error (ppm)	Limit (ppm)
50	3.85	5	0.0027	2.5
40		10	0.0053	2.5
30		-2	-0.0011	2.5
20		4	0.0021	2.5
10		10	0.0053	2.5
0		12	0.0064	2.5
-10		1	0.0005	2.5
-20		2	0.0011	2.5
-30		7	0.0037	2.5
20		3.47	-4	-0.0021
20	4.24	-4	-0.0021	2.5

