

**EDISON**  
PROFESSIONAL

## Home Entertainment Bluetooth Receiver

Home Entertainment Bluetooth Receiver  
PARTY SYSTEM 450



 **Bluetooth®**



The lightning flash with the arrowhead symbol within an equilateral triangle is intended to alert the user to the presence of "uninsulated dangerous voltage" within the product's enclosure that may be of sufficient magnitude to constitute a risk of electric shock to a person.

The exclamation point within an equilateral triangle is intended to alert the user to the presence of important operating and maintenance (servicing) instructions in the literature accompanying the unit.

## Safety Precautions

Warning: To prevent fire or electric shock, do not expose this appliance to rain or moisture.

---

---

## IMPORTANT SAFEGUARDS

Caution: Please carefully read all of the following important safeguards to ensure safe operation.

1. Read Instructions:

All the safety and operating instructions should be read before the appliance is operated.

2. Retain Instructions:

The safety and operating instructions should be retained for future reference.

3. Follow Instructions:

All operating instructions should be followed.

4. Heed Warnings:

All warnings on the unit and the operating instructions should be adhered to.

5. Power Source:

The appliance should be connected based on instructions.

6. Heat:

Keep the unit away from heat sources such as radiators, refrigerators, stoves or other appliances that may radiate heat.

7. Non-use Periods:

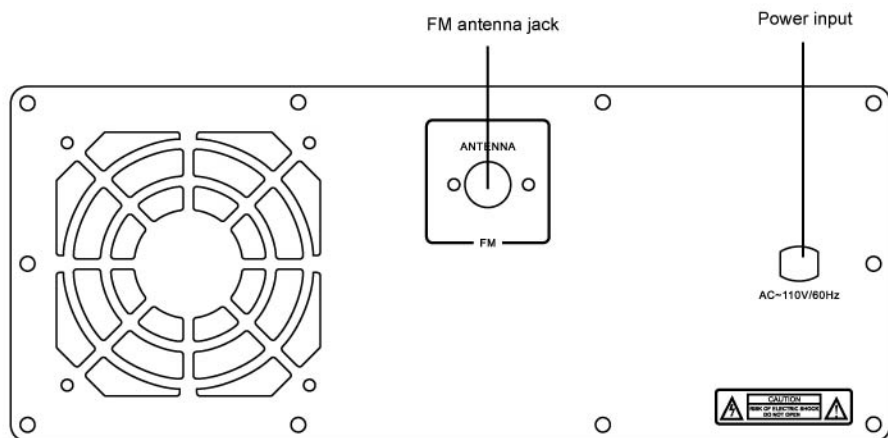
The power cord of the unit should be unplugged from the outlet when you do not use it for a long time.

8. Damage requiring service:

The unit should be repaired by qualified service personnel in the following cases:

- The power plug or cable has been damaged;
- Objects have fallen or liquid has been spilled on the appliance;
- The appliance has been exposed to rain;
- The appliance is functioning abnormally.

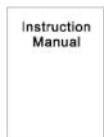
## CONNECTIONS



## Accessories



REMOTE CONTROL



INSTRUCTION  
MANUAL



FM ANTENNA

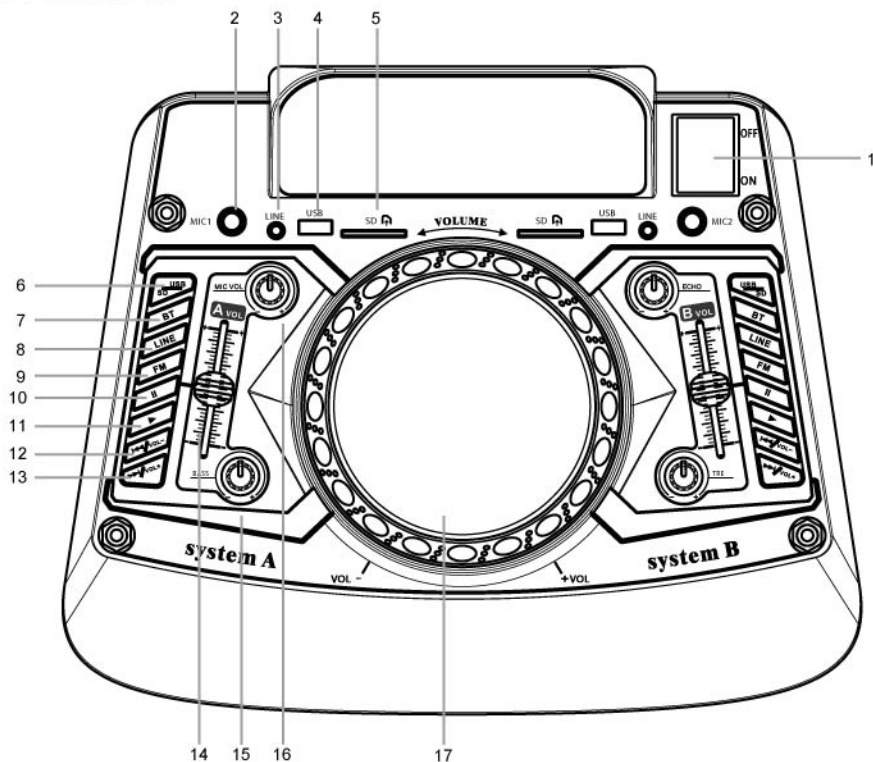


AUDIO CABLE

## Specifications

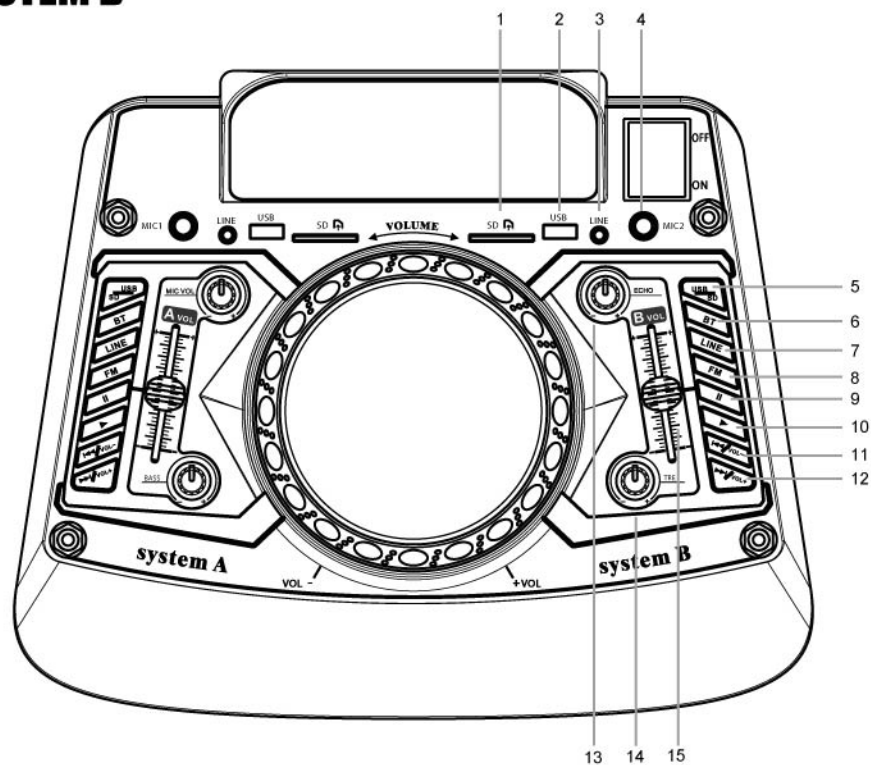
- Power: 2500W PEAK
- LED information display
- Bluetooth receiver x 2
- USB flash reader x 2
- SD card reader x 2
- FM receiver x 2
- Microphone input 6.3mm x 2
- RMS:210W
- Equalizer
- Wireless remote control unit
- LED Lighting Effects
- Speakers: 15" x 2 + 2 x 1.5"
- Resistance: 4 ohm
- Frequency:20Hz-20KHz

## SYSTEM A



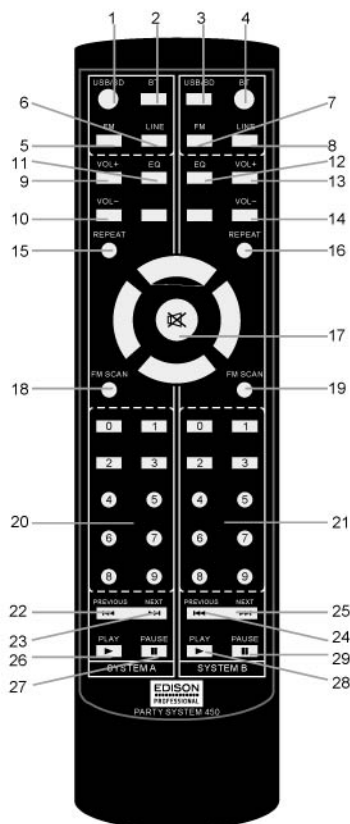
1. Power ON/OFF
2. Microphone1 input slot
3. A System Line input slot
4. A System USB input slot
5. A System SD card input slot
6. A System USB/SD card input key
7. A System BT input key(BT searching name: EDISON 450 A)
8. A System Line input key
9. A System FM input key
10. A System Pause key
11. A System Play key
12. A System Previous key, long press for volume decrease
13. A System next key, long press for volume increase
14. A System volume control
15. BASS increase/weaker knob
16. Microphone volume increase/decrease
17. A B System Volume control knob

## SYSTEM B



1. B System SD card input slot
2. B System USB input slot
3. B System Line input slot
4. Microphone2 input slot
5. B System USB/SD card input key
6. B System BT input key (BT searching name: EDISON 450 B)
7. B System Line input key
8. B System FM input key
9. B System Pause key
10. B System Play key
11. B System Previous key, long press for volume decrease
12. B System next key, long press for volume increase
13. ECHO weaker/increase knob
14. TRE increase/weaker knob
15. B System volume control

# REMOTE INSTRUCTION



1. A System USB/SD card input button
2. A System BT input button
3. B System USB/SD card input button
4. B System BT input button
5. A System FM input button
6. A System LINE input button
7. B System FM input button
8. B System LINE input button
9. A System volume increase
10. A System volume decrease
11. A System Equalizer
12. B System Equalizer
13. B System volume increase
14. B System volume decrease
15. A System play again
16. B System play again
17. Mute volume
18. A System auto scan for channels
19. B System auto scan for channels
20. A System USB/SD card song select
21. B System USB/SD card song select
22. A System previous song
23. A System next song
24. B System previous song
25. B System next song
26. A System play
27. A System Pause
28. B System play
29. B System Pause

# HOW TO USE BLUETOOTH CONNECTION

## Dual Bluetooth Speaker



### SYSTEM A

#### 2 ways to enter or restart BT function

1. Press the "BT" input button on remote control system A
2. Press the "BT" button on top control panel system A

Speaker is in "Bluetooth" mode

#### Auto search and connect

Speaker will enter auto search; it will search for the last connected device.

Auto connect to the connected device

The unit will automatically connect to the last connected device that Bluetooth is open with in 20 metres in few seconds.

(Note: If device cannot be connected automatically, press the buttons "PLAY/PAUSE", "PREVIOUS", "NEXT" to activate Bluetooth and re-connect the device.)

When speaker cannot find the last connected device

Speaker can be connected with new device

Use the new device search and connect to **"EDISON 450 A"**

#### Successful Connection

The BT connection is completed.



### SYSTEM B

#### 2 ways to enter or restart BT function

1. Press the "BT" input button on remote control system B
2. Press the "BT" button on top control panel system B

Speaker is in "Bluetooth" mode

#### Auto search and connect

Speaker will enter auto search; it will search for the last connected device.

Auto connect to the connected device

The unit will automatically connect to the last connected device that Bluetooth is open with in 20 metres in few seconds.

(Note: If device cannot be connected automatically, press the buttons "PLAY/PAUSE", "PREVIOUS", "NEXT" to activate Bluetooth and re-connect the device.)

When speaker cannot find the last connected device

Speaker can be connected with new device

Use the new device search and connect to **"EDISON 450 B"**

#### Successful Connection

The BT connection is completed.





#### Limited Warranty

This Limited Product Warranty is provided by Britelite Enterprises. Britelite warrants to Customer that the product is free from defects in materials and workmanship under normal use during the Warranty Period of 90 days for parts and 1-year labor. If the product fails to conform to the warranty then Britelite or its authorized service will either repair or replace any nonconforming product, provided that Customer gives notice of noncompliance within the Warranty Period to Britelite by emailing [service@britelite.net](mailto:service@britelite.net) or calling 310-363-7110 (Mexico customers can call 0155 4624 0251). Please retain the original dated receipt as evidence of proof of purchase.



**Britelite™**



**Important: Please read this before returning this product**

**Please do not return the product to the dealer or initial place of purchase.**

**If you are having difficulties installing or using this product, our support organization can help you regarding installation, set up and missing or replacement parts.**

**You can contact us:**

**E-mail- [Service@britelite.net](mailto:Service@britelite.net)**

**Phone- (888)-604-8881**

**In Mexico Please Call 0155 4624 0251**





#### FCC Warning Statement

Changes or modifications not expressly approved by the party responsible for compliance could void the user's authority to operate the equipment. This equipment has been tested and found to comply with the limits for a Class B digital device, pursuant to Part 15 of the FCC Rules. These limits are designed to provide reasonable protection against harmful interference in a residential installation. This equipment generates uses and can radiate radio frequency energy and, if not installed and used in accordance with the instructions, may cause harmful interference to radio communications. However, there is no guarantee that interference will not occur in a particular installation. If this equipment does cause harmful interference to radio or television reception, which can be determined by turning the equipment off and on, the user is encouraged to try to correct the interference by one or more of the following measures:

- - Reorient or relocate the receiving antenna.
- - Increase the separation between the equipment and receiver.
- - Connect the equipment into an outlet on a circuit different from that to which the receiver is connected.
- - Consult the dealer or an experienced radio/TV technician for help.

This device complies with part 15 of the FCC Rules. Operation is subject to the following two conditions: (1) This device may not cause harmful interference, and (2) this device must accept any interference received, including interference that may cause undesired operation.