

BT Portable Speaker

USER GUIDE



For correctly operating, please read this manual carefully before using. Any content revise of the manual won't declare again, and we are not responsible for consequence caused by fault or oversight of this manual.

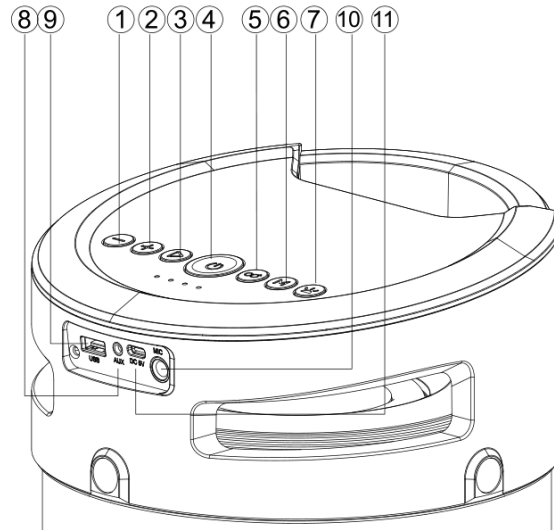
FEATURES:

1. 4.1CH New Portable Bluetooth Speaker, delivers clear sound with powerful bass
2. TWS function, Pair two speakers together wirelessly to experience True Stereo Sound
3. With A2DP Bluetooth, wireless stream music from any Bluetooth-enabled device such as your mobile phone, notebook, iPhone or iPad
4. Secure simple pairing for user-friendly operating
5. 10 meters operating range
6. With USB supporting;
7. With FM radio
8. With Line-in function, suitable for PC, MID, TV and other audio devices;
9. Built-in lithium rechargeable battery 7.4V, 4400mAh
10. With strong handle, easy to take out.

Accessories:

Charging cable, Audio cable, User Manual

INSTRUNCTION FOR APPEARANCE AND KEY:



1. Backward/Volume down
2. Forward/Volume up
3. Play/Pause
4. Power On/Off
5. TWS button
6. Mode (Switch Bluetooth, USB disk, FM and AUX-IN state)
7. Light control
8. AUX In
9. USB Port
10. Wired Mic Port
11. Charging jack

Bluetooth:

1. Turn the power button to "ON", The LED light turn blue and twinkle quickly, then enter Bluetooth mode.
2. Activate *Bluetooth* of mobile phone and search for device name then connect it. The blue LED light will keep lighting and make a tone once connected.
3. Play the music from your mobile phone and enjoy.
4. Press Forward or Backward button on the device or on Mobile phones to select songs you like.
5. Press Play/Pause button on the device or on Mobile phones to play/pause the music.
6. Long press Forward or Backward button to adjust volume up and down. Or adjust the mobile phones' volume.

Playing music from USB disk:

1. Turn the Power button to "ON".
2. Insert a USB flash disk into slot, the speaker will make a tone , and play the stored music automatically.
3. Under playing mode, short press Forward or Backward button to select songs you like, long press to adjust the volume up and down.
4. Press Play/Pause to play or pause.

Remark: Under Bluetooth playing mode, insert USB flash disk will disconnect the Bluetooth and switch to play the USB. You can press the MODE button to switch to Bluetooth mode again.

FM Radio:

1. Under FM radio mode, the audio cable provided treat as antenna. Please Insert the audio cable to get best FM signal before using.
2. Turn the power button to "ON", press the "MODE" button to FM mode.
3. Under FM mode, short press "Play/Pause" button to auto search the FM Channel and store it automatically.
4. Short press Forward or Backward button to change the stored FM channel, long press to adjust the volume.

TWS Function:

1. Turn on two identical speakers you want to pair, please noted they must be the same BT paring name, both under BT mode. Only need to set up one of the two units;
2. Press TWS button, speaker will make a tone to start pairing, and make a tone again once successfully paired;
3. Make Bluetooth connection with your mobile phone to play music by the two paired Speakers to create more powerful surround sound effect.
4. When you want to exit the TWS mode, press TWS button again to exit the TWS function.

Note: 1.Users need to make TWS connection first, then make Bluetooth connection with the mobile phone.

2.Under TWS mode and Bluetooth connected, when user long press the TWS button, both the TWS connection and Bluetooth connection will be disconnected.

AUX-IN:

For other compatible music devices or your MP3/MP4 players, use the supplied audio line cable to connect from the device's "Line Out" to the "Aux In" of this device to Enjoy playing music .

Under any playing mode ,When you use the audio cable to connect the device, it will auto switch to the AUX mode .

Under AUX mode, all functions can be controlled by external device.

Remarks:

1. When Bluetooth connection with your mobile phone, there will be a battery icon indicating the speaker battery volume on your phone.
2. Press the MODE button to switch the different modes, the order is Bluetooth, USB disk, FM radio and AUX-IN.
3. When the speaker Bluetooth connected with one mobile device, user can long-press the TWS button to disconnect the previous device, then make Bluetooth connection with another mobile device;
4. Default volume is at 50% status of max volume;
5. Under Bluetooth connection status, user can long press Play/Pause button to activate voice assistant SIRI/GOOGLE ASSISTANT;
6. The unit will turn off if no use for 10 minutes.

NOTE: This equipment has been tested and found to comply with the limits for a Class B digital device, pursuant to part 15 of the FCC Rules. These limits are designed to provide reasonable protection against harmful interference in a residential installation. This equipment generates uses and can radiate radio frequency energy and, if not installed and used in accordance with the instructions, may cause harmful interference to radio communications. However, there is no guarantee that interference will not occur in a particular installation. If this equipment does cause harmful interference to radio or television reception, which can be determined by turning the equipment off and on, the user is encouraged to try to correct the interference by one or more of the following measures:

- Reorient or relocate the receiving antenna.
- Increase the separation between the equipment and receiver.
- Connect the equipment into an outlet on a circuit different from that to which the receiver is connected.
- Consult the dealer or an experienced radio/TV technician for help

Changes or modifications not expressly approved by the party responsible for compliance

could void the user's authority to operate the equipment.

This device complies with Part 15 of the FCC Rules. Operation is subject to the following two conditions:

- (1) this device may not cause harmful interference, and
- (2) this device must accept any interference received, including interference that may cause undesired operation.