

EDISON
●●●●●●●●●●
PROFESSIONAL

PROFESSIONAL PA SPEAKER

PROFESSIONAL PA SPEAKER
PARTY SYSTEM 2000





CAUTION
RISK OF ELECTRIC SHOCK
DO NOT OPEN



The lightning flash with the arrowhead symbol within an equilateral triangle is intended to alert the user to the presence of "uninsulated dangerous voltage" within the product's enclosure that may be of sufficient magnitude to constitute a risk of electric shock to a person.

The exclamation point within an equilateral triangle is intended to alert the user to the presence of important operating and maintenance (servicing) instructions in the literature accompanying the unit.

Safety Precautions

Warning: To prevent fire or electric shock, do not expose this appliance to rain or moisture

IMPORTANT SAFEGUARDS

Caution: Please carefully read all of the following important safeguards to ensure safe operation

1. Read Instructions:

All the safety and operating instructions should be read before the appliance is operated.

2. Retain Instructions:

The safety and operating instructions should be retained for future reference

3. Follow Instructions:

All operating instructions should be followed.

4. Heed Warnings:

All warnings on the unit and the operating instructions should be adhered to

5. Power Source:

The appliance should be connected based on instructions

6. Heat :

Keep the unit away from heat sources such as radiators, refrigerators, stoves or other appliances that may radiate heat

7. Non-use Periods :

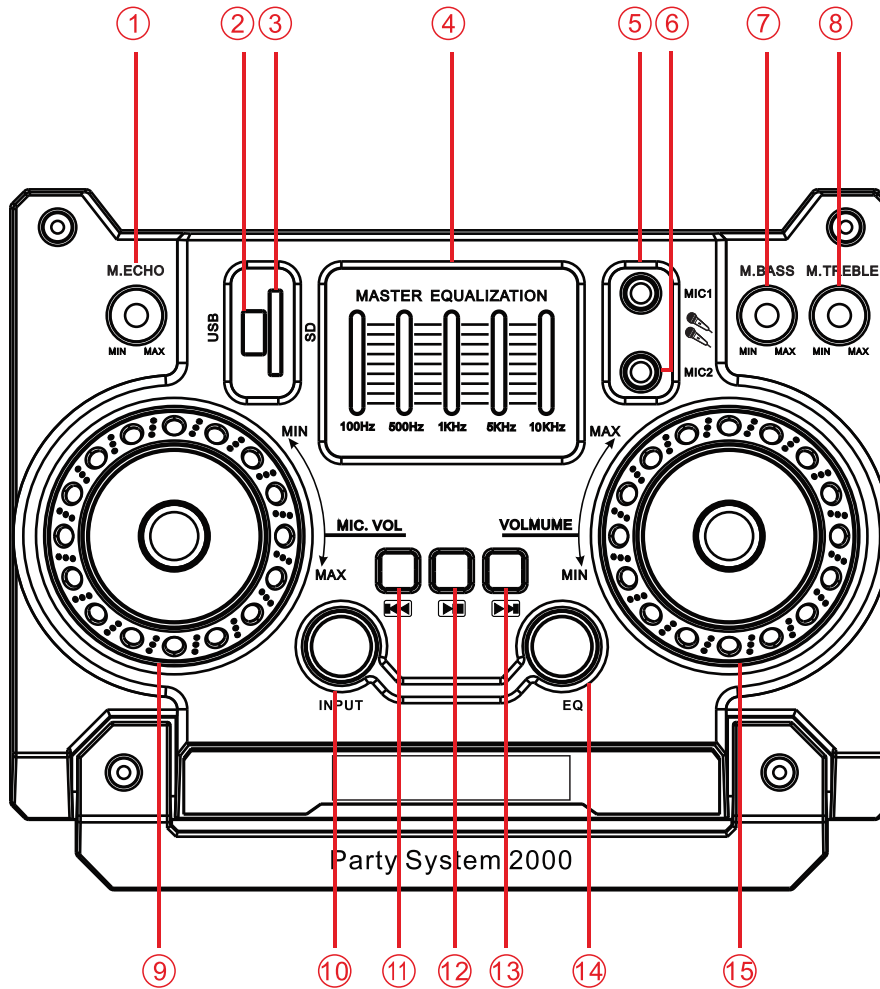
The power cord of the unit should be unplugged from the outlet when you do not use it for a long time

8. Damage requiring service:

The unit should be repaired by qualified service personnel in the following cases

- a. The power plug or cable has been damaged;
- b. Objects have fallen or liquid has been spilled on the appliance
- c. The appliance has been exposed to rain;
- d. The appliance is functioning abnormally

CONNECTIONS



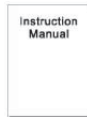
- | | |
|-----------------------|----------------------------|
| 1. Microphone Echo | 9. Microphone Volume |
| 2. USB Inut | 10. Input |
| 3. SD Input | 11. Previous Key |
| 4. Echo | 12. Play/Pause Key |
| 5. Microphone Input 1 | 13. Next Key |
| 6. Microphone Input 2 | 14. Echo increase/decrease |
| 7. Microphone Bass | 15. Master Volume |
| 8. Microphone Treble | |

CONNECTIONS

Accessories



REMOTE CONTROL



INSTRUCTION
MANUAL

Specifications

- Power :4000W
- LED information display
- Bluetooth receiver x LED 1
- USB flash reader x Speakers1
- SD card reader x Resistance: 1
- FM receiver x 1
- Microphone input 6.3mmX1
- wireless remote control unit
- LED Lighting Effects
- Speakers . 10" x 2 + 1.5" x 1
- Resistance: 3 ohm
- Frequency·80Hz-18KHz
- Power source: AC-110-220V/50Hz

CONNECTIONS

Faultphenomenon	Simplefaultanalysis	Troubleshooting
Failingto electrify	The power switch is not opened The electricity quantity of built-in battery is totally consumed	Open power switch Use power adaptor to charge the battery
No sound	Failing to input sound source Failing to establish signal line Main volume is switched to minimum U disk playing has no sound Faults with external signal source Poor contact or damage of external signal line	Change signal source Reconnect signal line Properly adjust the volume knob Inspect U disk or audio switch Change signal source Readjust or change signal line
External microphone has no sound	External microphone is not fully inserted in the jack The external microphone switch is not opened The volume knob of microphone is off	Totally insert the microphone to the jack Open the switch of wireless microphone Properly adjust the volume knob of microphone
Problemswithwireless microphone	The switch of wireless microphone is not opened The wireless microphone is not inserted in the battery The sound of wireless microphone is in distortion	The switch of wireless microphone is not opened The wireless microphone is not inserted in the battery The sound of wireless microphone is in distortion

Limited Warranty

This Limited Product Warranty is provided by BriteLite Enterprises. BriteLite warrants to Customer that the product is free from defects in materials and workmanship under normal use during the Warranty Period of 90 days for parts and 1-year labor. If the product fails to conform to the warranty then BriteLite or its authorized service will either repair or replace any nonconforming product, provided that Customer gives notice of noncompliance within the Warranty Period to BriteLite by emailing service@britelite.net or calling 310-363-7110 (Mexico customers can call 0155 4624 0251). Please retain the original dated receipt as evidence of proof of purchase.



BriteLite™



Important: Please read this before returning this product

**Please do not return the product to the dealer or initial place of purchase.
If you are having difficulties installing or using this product, our support organization can help you regarding installation, set up and missing or replacement parts.**

You can contact us:

E-mail- Service@britelite.net

Phone- (888)-604-8881

In Mexico Please Call 0155 4624 0251



FCC Warning Statement

Changes or modifications not expressly approved by the party responsible for compliance could void the user's authority to operate the equipment. This equipment has been tested and found to comply with the limits for a Class B digital device, pursuant to Part 15 of the FCC Rules. These limits are designed to provide reasonable protection against harmful interference in a residential installation. This equipment generates uses and can radiate radio frequency energy and, if not installed and used in accordance with the instructions, may cause harmful interference to radio communications. However, there is no guarantee that interference will not occur in a particular installation. If this equipment does cause harmful interference to radio or television reception, which can be determined by turning the equipment off and on, the user is encouraged to try to correct the interference by one or more of the following measures:

- - Reorient or relocate the receiving antenna.
- - Increase the separation between the equipment and receiver.
- - Connect the equipment into an outlet on a circuit different from that to which the receiver is connected.
- - Consult the dealer or an experienced radio/TV technician for help.

This device complies with part 15 of the FCC Rules. Operation is subject to the following two conditions: (1) This device may not cause harmful interference, and (2) this device must accept any interference received, including interference that may cause undesired operation.