



Party System 1240

# Home Entertainment Bluetooth and Karaoke System Instruction Manual



Thank you for purchasing this product

## CAUTION



**WARNING: SHOCK HAZARD - DO NOT OPEN**

**AVIS: RISQUE DE CHOC ÉLECTRIQUE - NE PAS OUVRI**



The lightning flash with arrowhead symbol, within an equilateral triangle, is intended to alert the user to the presence of uninsulated "dangerous voltage" within the product's enclosure that may be of sufficient magnitude to constitute a risk of electric shock to persons.



The exclamation point within an equilateral triangle is intended to alert the user to the presence of important operating and maintenance (servicing) instructions in the literature accompanying the appliance.

### Important Safety Instructions

- 1) Read these instructions.
- 2) Keep these instructions.
- 3) Heed all warnings.
- 4) Follow all instructions.
- 5) Do not use this apparatus near water.
- 6) Clean only with dry cloth.
- 7) Do not block any ventilation openings. Install in accordance with the manufacturer's instructions.
- 8) Do not install near any heat sources such as radiators, heat registers, stoves, or other apparatus (including amplifiers) that produce heat.
- 9) Do not defeat the safety purpose of the polarized or grounding-type plug. A polarized plug has two blades with one wider than the other. A grounding type plug has two blades and a third grounding prong. The wide blade or the third prong are provided for your safety. If the provided plug does not fit into your outlet, consult an electrician for replacement of the obsolete outlet.
- 10) Protect the power cord from being walked on or pinched particularly at plugs, convenience receptacles, and the point where they exit from the apparatus.
- 11) Only use attachments/accessories specified by the manufacturer.
- 12) Use only with the cart, stand, tripod, bracket, or table specified by the manufacturer, or sold with the apparatus. When a cart is used, use caution when moving the cart/apparatus combination to avoid injury from tip-over.



53725A

- 13) Unplug this apparatus during lightning storms or when unused for long periods of time.
- 14) Refer all servicing to qualified service personnel. Servicing is required when the apparatus has been damaged in any way, such as power-supply cord or plug is damaged, liquid has been spilled or objects have fallen into the apparatus, the apparatus has been exposed to rain or moisture, does not operate normally, or has been dropped.

## CAUTION

To prevent electric shock hazard, do not connect to mains power supply while grille is removed. minimum distances 10cm around the apparatus for sufficient ventilation; the ventilation should not be impeded by covering the ventilation openings with items, such as newspapers, table-cloths, curtains, etc.; no naked flame sources, such as lighted candles, should be placed on the apparatus; attention should be drawn to the environmental aspects of battery disposal; the use of apparatus in moderate climates. the apparatus shall not be exposed to dripping or splashing and that no objects filled with liquids, such as vases, shall be placed on the apparatus. Where the MAINS plug or an appliance coupler is used as the disconnect device, the disconnect device shall remain readily operable. Batteries (battery pack or batteries installed) shall not be exposed to excessive heat such as sunshine, fire or the like. To reduce the risk of fire or electric shock, do not expose this apparatus to rain or moisture. Caution Marking and rating plate was located at rear enclosure of the apparatus.

## CAUTION

Danger of explosion if battery is incorrectly replaced. Replace only with the same or equivalent type.

### FCC warning:

Any Changes or modifications not expressly approved by the party responsible for compliance could void the user's authority to operate the equipment.

Note: This equipment has been tested and found to comply with the limits for a Class B digital device, pursuant to part 15 of the FCC Rules. These limits are designed to provide reasonable protection against harmful interference in a residential installation. This equipment generates uses and can radiate radio frequency energy and, if not installed and used in accordance with the instructions, may cause harmful interference to radio communications. However, there is no guarantee that interference will not occur in a particular installation. If this equipment does cause harmful interference to radio or television reception, which can be determined by turning the equipment off and on, the user is encouraged to try to correct the interference by one or more of the following measures:

- Reorient or relocate the receiving antenna.
- Increase the separation between the equipment and receiver.
- Connect the equipment into an outlet on a circuit different from that to which the receiver is connected.
- Consult the dealer or an experienced radio/TV technician for help.

This equipment complies with FCC radiation exposure limits set forth for an uncontrolled environment. This equipment should be installed and operated with minimum distance 20cm between the radiator & your body.

**CAUTION :**

To reduce the risk of electric shock, do not remove the cover. Refer servicing to qualified service personnel. Please read the manual carefully before operating. Keep it in a safe place for future reference.

-This is a Class I Apparatus:

Apparatus with Class 1 construction must be connected to a mains socket with a protective earthing coating

**USER INSTRUCTIONS FOR DVD PLAYER**

Please Do Not:

- Put the player in sunshine, on or next to any radiation devices such as heaters, stoves or other appliances that produce heat.
- Put the player in badly ventilated, dusty or high moisture areas or in unsteady or vibrating areas.
- Expose the unit to rain or water.
- Play discs that are scratched or warped as they may damage the unit.

**POWER SUPPLY**

- The power supply required is AC 100-240V~, 50/60Hz.
- When not planning to use this unit for long periods of time, disconnect the AC power plug from the outlet.
- To prolong the life of this unit, the changeover period between switch-on and switch-off should not be less than ten seconds.

**DVD PLAYER FEATURES**

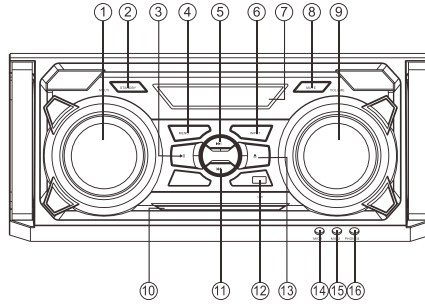
1. Fully compatible with DVD, SVCD, VCD, MP3, CD-R and CD-RW with high error correction ability.
2. Reads picture CD to realize digital picture display.
3. 10 bit digital video converter, resolution is more than 500 lines.
4. 24bit/96KHz digital audio converter, high quality sound effects, professional Hi-Fi level.
5. Video component signal output, S-video output, Composite video output, Optical, Coaxial HDMI and YUV output for selection.
6. Eight languages and 32 caption modes can be selected.
7. Various TV screen display selection and preferred story selection to view.

**LASER HEAD OVER CURRENT PROTECTION SYSTEM**

Laser head is the most important and critical part of the whole machine. Its performance is directly linked to the whole equipment's service life and error correction function. When a common player reads a scratched disc or a non-standard disc, the laser intensity will be 2-4 times or even up to 20 times the normal level, thus greatly reducing its service life. This appliance is provided with a unique laser head over current protection system, which will ensure constant laser current and thus greatly extend the service life of the laser head.

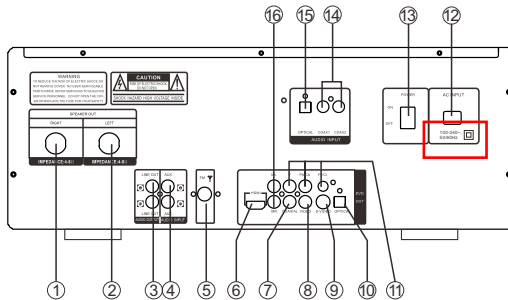
# 1.Controls

## FRONT PANEL



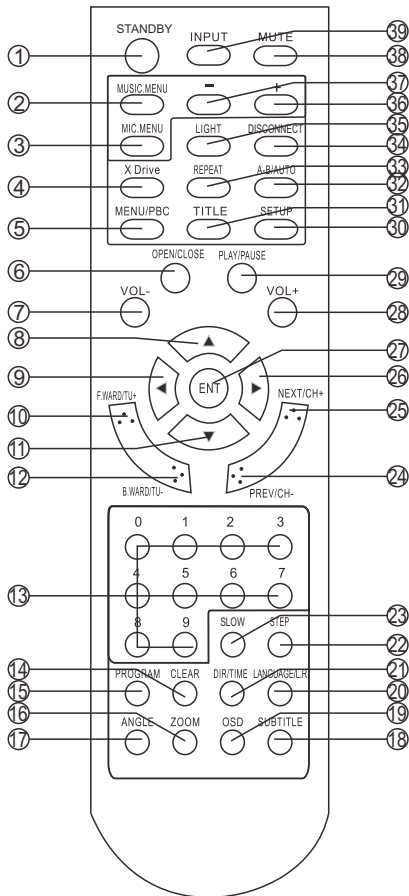
- |                         |                       |
|-------------------------|-----------------------|
| 1. MULTIFUNCTION BUTTON | 9. VOLUME             |
| 2. STANDBY              | 10. COMPARTMENT DOOR  |
| 3. PLAY/PAUSE           | 11. PREVIOUS          |
| 4. MENU                 | 12. USB JACK          |
| 5. NEXT                 | 13.OPEN/CLOSE         |
| 6. INPUT                | 14. MICROPHONE 1 JACK |
| 7. LED DISPLAY          | 15. MICROPHONE 2 JACK |
| 8. MUTE                 | 16. PHONES            |

## REAR PANEL

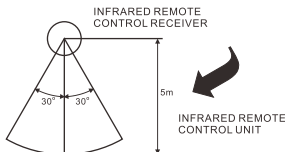


1. (RIGHT) SPEAKER OUTPUT JACK
2. (LEFT) SPEAKER OUTPUT JACK
3. LINE OUT OUTPUT JACK
4. AUX AUDIO INPUT
5. FM ANTENNA JACK
6. HDMI OUTPUT JACK
7. DIGITAL SIGNAL COAXIAL OUTPUT
8. VIDEO OUTPUT JACK
9. S-VIDEO OUTPUT JACK
- 10.DIGITAL SIGNAL OPTICAL OUTPUT
- 11.COMPONENT(YUV) VIDEO OUTPUT JACK
- 12.AC INPUT (100-240V~,50/60Hz)
- 13.POWER SWITCH
- 14.COAXIAL DIGITAL INPUT
- 15.OPTICAL DIGITAL INPUT
- 16.AUDIO OUTPUT JACK

## Remote Control



1. STANDBY
2. MUSIC.MENU
3. MIC.MENU
4. XDRIVE
5. MENU/PBC
6. OPEN/CLOSE
7. VOLUME-
8. UP
9. LEFT
10. F.WARD/TUNING+
11. DOWN
12. B.WARD/TUNING-
13. NUMBER BUTTON
14. CLEAR
15. PROGRAM
16. ZOOM
17. ANGLE
18. SUBTITLE
19. OSD
20. LANGUAGE/L.R
21. DIR/TIME
22. STEP
23. SLOW
24. PREVIOUS/CHANNEL-
25. NEXT/CHANNEL+
26. RIGHT
27. ENTER
28. VOLUME+
29. PLAY/PAUSE
30. SETUP
31. TITLE
32. A-B/AUTO
33. REPEAT
34. DISCONNECT
35. LIGHT
36. MIC/MUSIC.MENU ADJUST+
37. MIC/MUSIC.MENU ADJUST-
38. MUTE
39. INPUT



### REMOTE CONTROL OPERATION:

- If the remote control conflicts with other devices, the operation will be affected.
- Do not simultaneously press buttons on the unit and the remote control.
- Avoid using two remote controls at the same time as this will cause a malfunction.
- Use only UM-4 "AAA" size batteries. Do not mix old batteries with new ones.
- If the batteries leak, clean thoroughly before replacing with new ones.
- Do not short two terminals of the batteries. Dispose of old batteries in a suitable place.

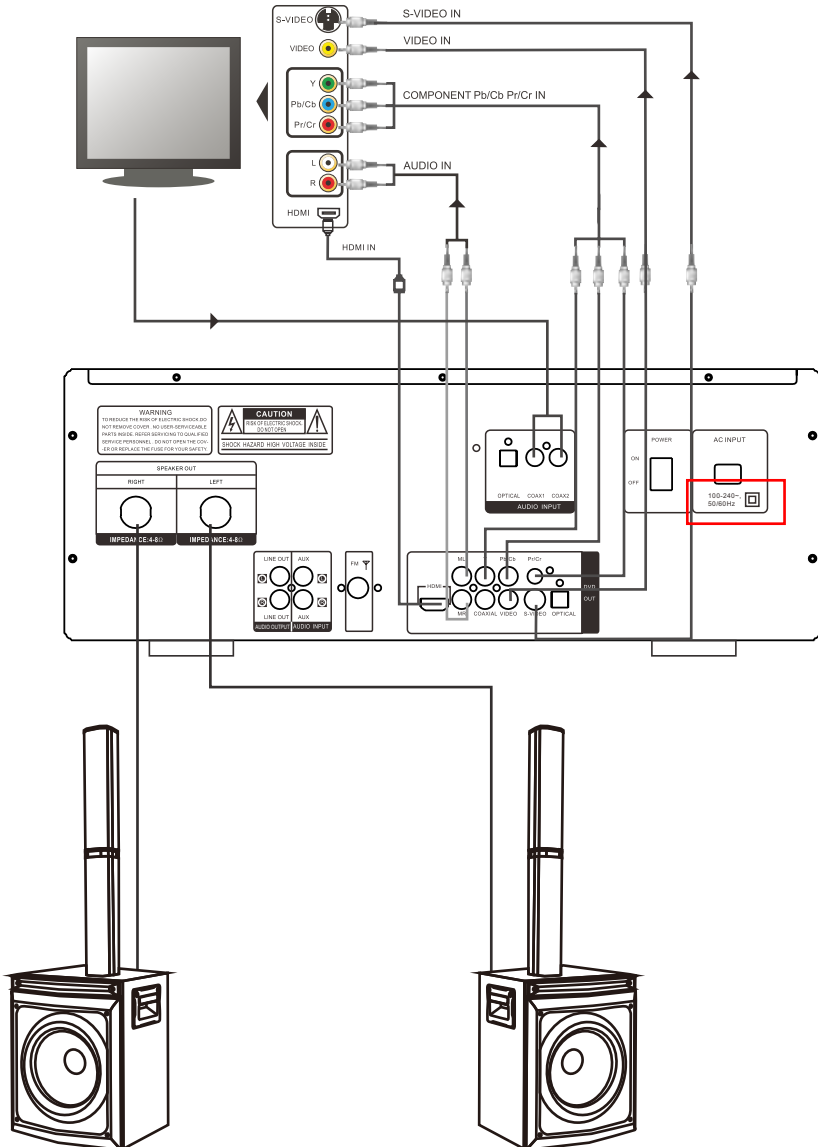
## 2. Preparation

### 2.1 Instal batteries in the remote control

Place two AAA batteries in the battery compartment. Ensure that the polarities are correct. There should be no large obstacles between the remote control and the main unit.

### 2.2 System connection

1. When connecting this unit and other components, be sure that the power is off on all the units.
2. Audio/Video cables are connected by matching the various colours. Fit cables firmly.
3. Scheme of connection illustration:



### 3. DVD Basic operation

Once all the connections and settings have been done, the DVD unit is ready for normal use. Prior to playback, make sure the following operations have been carried out.

1. Switch on TV and select AV mode. If it's S-Video connect select S-Video mode.
2. Switch on this DVD unit.
3. Press the key SOURCE on the front panel or on the remote control, select DVD.

Step 1: Press POWER key, DISC LOADING shown on screen:



If there is no disc, NO DISC shown on screen:



Step 2: Press OPEN/CLOSE key, the tray comes out automatically.



Step 3: Place disc on the tray, press the key OPEN/CLOSE to close the tray, the disc type will be shown on the up-left corner of the screen as well as shown on LED screen.

#### 3.1 Play disc

Once it's read the disc, this machine will start playing automatically.

If it is a DVD, the machine will show the DVD menu or title menu.

If it is a CD, this machine will start playing in the sequence.



Press PAUSE key:



Press PREV key:



Press NEXT key:



Press F.WARD key to get 2X, 4X, 8X, 16X, 32X, normal play circular fast forward function of DVD disc playing.

Press F.WARD key to get 2X, 4X, 8X, 16X, 32X, normal play circular fast forward function of other type of disc playing.



Press B.WARD key to get 2X, 4X, 8X, 16X, 32X, normal play circular fast reverse function of DVD disc playing.

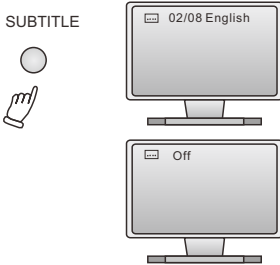
Press B.WARD key to get 2X, 4X, 8X, 16X, 32X, normal play circular fast reverse function of other disc playing.



## 4. DVD Description of function

### 4.1 Subtitle

This DVD function may enable you to select multi subtitle languages (as many as 32 kinds and only for the disc with multi subtitle encoded). Press SUBTITLE key to get desired display. For example, to select language 2 English from 8 options.



### 4.2 Title

Press TITLE key to get title menu. (This operation works only for the disc with multi title encoded).

### 4.3 Menu

Press MENU key to return to main menu for DVD disc playing.

### 4.4 Direction key

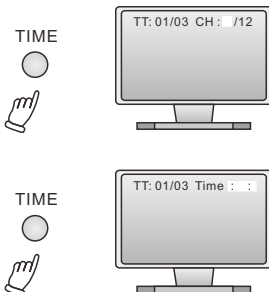
During playing discs, the four direction keys enable you to select at your option in title, menu or setup.

### 4.5 Number key

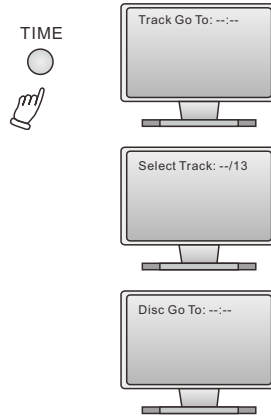
Press relevant number key for direct access according to picture titles.

### 4.6 Time

When playing a DVD, press TIME key. The following will be displayed:



In the condition of SVCD, VCD disc in PBC OFF:



You may press the numbered buttons to enter the desired playing time. For example 55:50, stands for 55 minutes and 50 seconds.

### 4.7 PBC play

In the PBC ON mode, song selection can only be done from the main menu.

### 4.8 Repeat from A to B

First press of A-B key to set initial point (A):



Second press of A-B key, to set endpoint(B):





## 4.9 Repeat

In DVD mode, press REPEAT key. The following will be displayed:



Chapter repeat on



Title repeat on

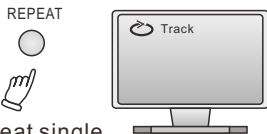


Repeat all



Repeat off

In SVCD/VCD mode, press PBC key to get PBC off, then press REPEAT key. The following will be displayed:



Repeat single



Repeat all

## 4.10 Zoom

The picture may be enlarged by up to 4 times to facilitate you to enjoy a particular action or still picture. Press this button 4 times, the zoom scales will be 2X,3X,4X, 1/2, 1/3, 1/4, OFF respectively.

## 4.11 Angle

During a sport match, concert or theatrical program, press ANGLE key continually on remote controller to select various angles to view the same image (This operation works only for the disc with multi angle encoded).



## 5.DVD Setting of the system

Press the SETUP button on the remote controller, the SETUP MENU (main) will be displayed.

General	Audio	Video	Preference
-- General Setup Page --			
TV Display	4:3/PS		
Angle Mark	Off		
OSD Lang	Eng		
Captions	Off		
Screen Saver	On		
HDCD	Off		
Last Memory	On		
Go To General Setup Page			

1. Press the Left or Right arrow buttons to highlight the icon of the desired page, then press the Down or Up arrow button to activate that page. Press the Down arrow button to highlight the desired option. Press Enter or press Right to select, the choices of that option appear on the right.
2. Press the Arrow buttons to highlight the Cross option, then press Enter or Setup again to exit Setup Menu.

### 5.1 General Setup

#### 5.1.1 TV Display

The system setup options are illustrated below:

General	Audio	Video	Preference
-- General Setup Page --			
TV Display	4:3/PS	4:3/PS	
Angle Mark	Off	4:3/LB	
OSD Lang	Eng	16:9	
Captions	Off		
Screen Saver	On		
HDCD	Off		
Last Memory	On		
Set TV Display Mode			

Highlight the TV Display mode option, and press the Arrow buttons to choose the TV Display mode you prefer. Press Enter to confirm.

#### 5.1.2 Language

The system setup options are illustrated below:

General	Audio	Video	Preference
-- General Setup Page --			
TV Display	4:3/PS		
Angle Mark	Off		
OSD Lang	Eng	English	
Captions	Off	French	
Screen Saver	On	German	
HDCD	Off	Italian	
Last Memory	On	Spanish	
		Portuguese	
Set OSD Lang			

The user may set the language of creen display, subtitle, audio, DVD menu to English.

### 5.1.3 Last Memory

The system setup options are illustrated below:

General	Audio	Video	Preference
-- General Setup Page --			
TV Display	PS		
Angle Mark	On		
OSD Lang	Eng		
Captions	Off		
Screen Saver	On		
Last Memory	On	On	
		Off	
Set Last Memory State			

Highlight the Last Memory mode option, and press the Arrow buttons to choose On or Off. Press Enter to confirm.

If it is set state On, during playing disc, open the tray, then close and play it again, it plays from the last memory.

### 5.2 Audio Setup

Audio setup include: Speaker setup, Spdif setup, CH EQ setup, 3D Processing.

General	Audio	Video	Preference
-- Audio Setup Page --			
Speaker Setup			
Spdif Setup			
CH EQ Setup			
3D Process			
Go To Audio Setup Page			

#### 5.2.1 Speaker Setup

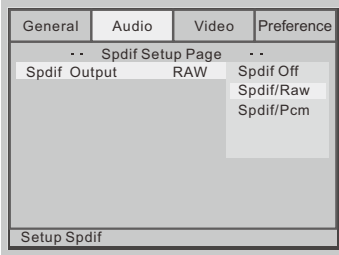
##### 5.2.1.1 Downmix

- a) LT/RT Choose this setting when you are connected to a 2 channel Analog Audio input.
- b) Stereo Choose this setting when the DVD player is connected to a TV or the Therefore modulator.
- c) V Surr Choose this setting to listen to the soundtrack effects, recorded on a disc formatted in Surround Sound.

General	Audio	Video	Preference
-- Speaker Setup Page --			
Downmix	STR	LT/RT	
		Stereo	
Set Downmix Mode			

### 5.2.2 Spdif Output

The system setup options are illustrated below:



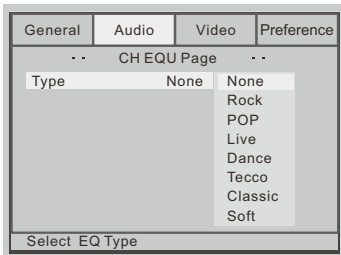
Highlight the Spdif option, and press the Arrow buttons to choose the Spdif output you prefer.

There are 3 optional modes: Spdif Off, Spdif/Raw, and Spdif/Pcm.

- a) Spdif Off: From the Coaxial Output jack and Optical Output jack no signal is output.
- b) Spdif/Raw: Choose this setting if your DVD player is connected to a disc recorded with Dolby Digital. DTS and MPEG audio formats, the corresponding digital signals will be output from the Coaxial Output jack or Optical Output jack. This players digital output jacks are designed for a connection to DTS, or MPEG receiver or decoder.
- c) Spdif/Pcm: Choose this setting if your DVD player is connected to a 2-channel digital stereo amplifier. When playing a disc recorded with Dolby Digital and MPEG audio formats, audio signals will be modulated into a 2-channel PCM signal, and it will be output from the Coaxial Output jack or Optical Output jack.

### 5.2.3 EQ Type setup

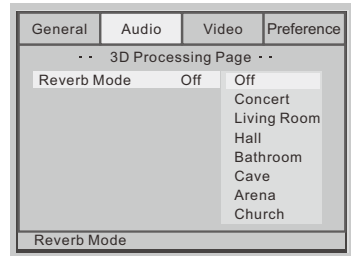
The system setup options are illustrated below:



Highlight the EQ Type option, and press the Arrow buttons to choose Equalizer type. There are 8 EQ type: None, Rock, POP, Live, Dance, Techno, Classic, Soft.

### 5.2.4 3D Processing

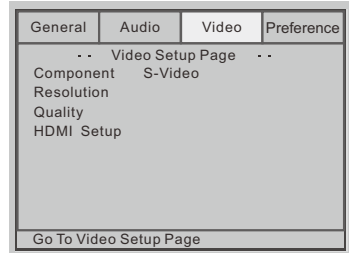
The system setup options are illustrated below:



Choose Reverb Mode to set up the 3D Processing mode. There are eight modes in this option: Off, Concert, Living Room, Hall, Bathroom, Cave, Arena, Church

### 5.4 Video setup

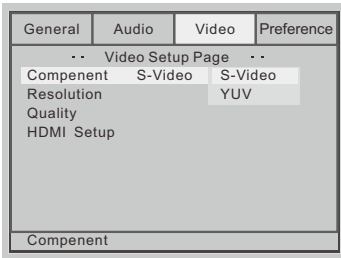
The system setup options are illustrated below:



Video setup includes: Component, Resolution, Quality, HDMI Setup.

### 5.4.1 Component

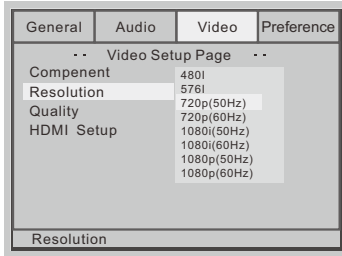
The system setup options are illustrated below:



Component is set to S-Video or YUV.

### 5.4.2 Resolution

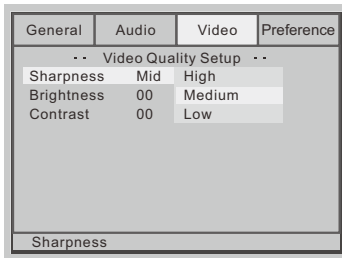
The system setup options are illustrated below:



Resolution is set to 480i, 576i, 720p(50Hz), 720p(60Hz), 1080i(50Hz), 1080i(60Hz), 1080p(50Hz), 1080p(60Hz)

### 5.4.3 Quality

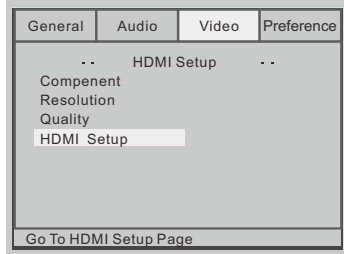
The system setup options are illustrated below:



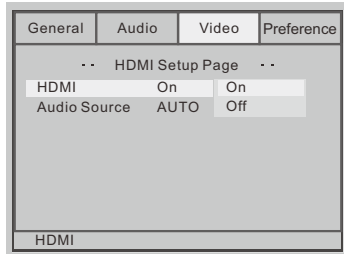
You can set the video quality.

### 5.4.4 HDMI setup

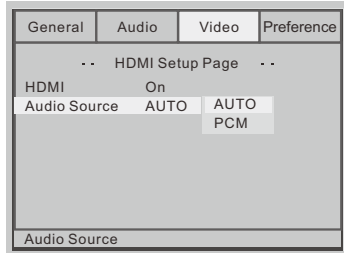
The system setup options are illustrated below:



Choose HDMI on or off.



Choose Audio Source Auto or PCM.



Relevant information :what is HDMI

The High-Definition Multimedia Interface (HDMI) is a compact audio/video connector interface for transmitting uncompressed digital streams. It represents a digital alternative to consumer analog standards such as Radio Frequency (RF) coaxial cable, composite video, S-Video, SCART, component video, D-Terminal, and VGA.

HDMI connects digital audio/video sources such as set-top boxes, Blu-ray Disc players, personal computers, video game consoles, and AV receivers to compatible digital audio devices, video monitors, and digital televisions (DTV). The world's first HDMI products started shipping in the fall of 2003 and currently over 800 CE and PC companies have adopted the HDMI specification (HDMI Adopters). HDMI began to appear on consumer HDTV camcorders and expensive digital still cameras in 2006. Shipments of HDMI are expected to exceed that of Digital Visual Interface (DVI) in 2008, driven primarily by the Consumer Electronics (CE) Market.

## 5.5 preference

When it is no disc, highlight the Preference option.  
The system setup options are illustrated below:

General	Audio	Video	Preference
.. Preference Page ..			
TV Type	PAL		
Audio	ENG		
Subtitle	ENG		
Disc Menu	ENG		
Parental Password	Default		
Go To Preference Page			

You can setup the Preference state.

### 5.5.1 Password setup

The user can set the password.

General	Audio	Video	Preference
.. Password Setup Page ..			
Password Mode	On	On	
Password		Off	
Go To Password Mode			

Select Password Mode on.

General	Audio	Video	Preference
.. Password Setup Page ..			
Password Mode	On		
Password		Change	
Go To Password Mode			

The default old password is 0000.

### 5.5.2 Default

If you want to reset the setting of the system (default value), highlight the Reset option, and press Enter to confirm.

General	Audio	Video	Preference
.. Preference Page ..			
TV Type	PAL		
Audio	English		
Subtitle	English		
Disc Menu	English		
Parental Password	Default		
		Reset	
Load Factory Setting			

## 6.1. Operation of Mp3 function

**Mp3** is an audio compression mode using Level 3 of the international standard MPEG, whereby sound signal is compressed in a rate of 12:1. A Mp3 disc can record music for play of over 600 minutes or record over 170 songs, rivalrous CDs in sound quality.

To play a Mp3 disc

Select the track using numbered buttons

1. Follow the basic operating instructions to insert a Mp3 disc, this machine will start to search the information on the disc and show it in the display.
2. Press the number buttons to select the track number desired.
3. Press stop key then direction key to select other menu.

Repeat play

Using this function, the user will be able to enjoy a particular song or all the songs on the disc over and over again.

1. Choose a particular song to be repeated.
2. Press the REPEAT button, the Screen will display as illustrated
3. Exit repeat play, the screen will display as illustrated.
4. Cancel the repeat function, folder will be on screen.

Others functions:

when a Mp3 disc is played, the features of mute, volume control, pause and forwards and backward search will also be available. The operations are the same with those of CDs.

## 6.2. JPEG

JPEG adopting the most efficient compression is widely used as picture storage type flattened and stored format.

Even if pictures are compressed 15-20 times. They still have good effect. Supported by most picture precessing software, fit for picture storage, it has small data and easy use. This machine can read JPEG format picture CD discs .

Press revelant number key to select picture display.

1. Put in disc correctly, the machine begins to search disc information.
2. Press number key to select picture.
3. It s efficient only in present picture when number key pressed .

Select to play by menu

1. Insert disc, machine searches disc information and main menu displays on screen. Press number key to select picture. Press play key to enter play mode
2. Press direction key to select picture then press. Play key.
3. In condition of stop. press direction key to select other pictures.
4. In condition of stop. Select the first line file item on the right. Then press play key, to return to upper menu.

## 6.3. Disc protection

Protection

- a. When loading or removing the discs, always hold them by the centre and edge.
- b. Do not stick or write anything on the surface. Protect discs against any finger prints.

Cleaning

Wipe the discs from time to time using a soft cloth. Always wipe from the centre toward the edge.

Storage

- a. Never warp the discs. During non-use periods, store them in their cases, which should be kept vertically. Do not expose discs to high temperature, dampness or extremely low temperature, or else it may cause damage to the discs.
- b. Do not expose discs to direct sunlight.

## 7. Operating the Amplifier

### 7.1. Normal function

1. Be sure to switch off the power and to connect the outputs to corresponding input jacks.
2. Turn on the power and wait 3-4 seconds until the speaker functions are connected.
3. Select an audio source by pressing the INPUT key on the front panel or on the remote control to display USB, BT,FM,AUX,OPTI,COA1,COA2,DISC.
4. Adjust the VOLUME knob on the front panel or the VOL+/- key on the remote control to adjust the setting of the main volume.
5. Press the MENU key on the front panel to display BASS, TRE, MICV, ECHO, XDRIVE(ON/OFF), SPEAKER LIGHT, then adjust the knob or press MENU adjust +/- to change music treble, bass and MIC effect.
6. Press the MUTE key on the remote control to mute, press it again to reset.
7. Press X Drive on the remote to turn on/off X-Bass effect.
8. Press the LIGHT button on remote control to change the LED1,LED2,LED3,OFF light mode.

### 7.2. Tuner applications

1. Before using the radio functions, you must attach the supplied antenna. Adjust the antenna to obtain optimum reception. Press the INPUT key on the front panel (amplifier) or on the remote control, to select "FM" function.
2. Press the CH+/CH- key on the remote control to find radio bands that you have previously saved.
3. Press or hold the TU+/TU- key on the remote control to adjust the radio frequency manually.
4. Press the AUTO key on the remote control, the machine will scan radio channels from low-frequency to high-frequency by itself and memorize the channels one by one.

### 7.3 Karaoke functions

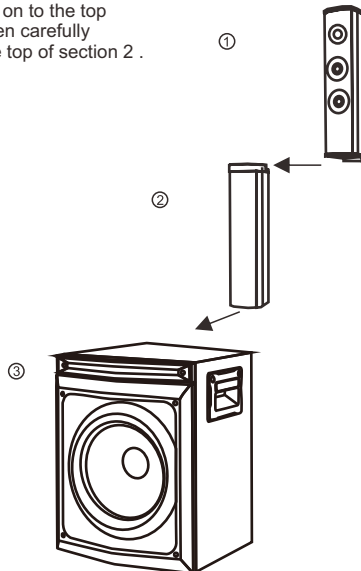
1. The machine can auto detect whether MIC1, MIC2 is inserted.  
Please turn off the microphone volume and adjust the volume gradually after inserting the microphone.
  2. Press MIC.MENU on the remote control to display MVOL, then press +/-, to change the microphone VOLUME.
  3. Press MIC.MENU on the remote control to display ECHO, then press +/- to change the microphone ECHO.
- Note: Do not touch the top of the microphone when singing in order to avoid a howling effect.  
Adjust the microphone volume gradually to avoid howling effect.

### 7.4. BT pair and connect

- Turn off any BT devices previously paired (linked) with this unit.
- Turn on the BT features on your phone or music player.
- Turn on and set this unit to BT mode.
- Set your phone or music player to search for BT devices.
- Select Party System 1240 from search results on your phone or music player
- Select OK or YES to pair this unit with your phone or music player
- If protected, enter 0000 for passkey.

### 8. Speaker Assembly:

Carefully slide section 2 on to the top of speaker cabinet 3, then carefully slide section 1, on to the top of section 2 .



## 8. Troubleshooting Guide

Before taking your unit to an authorised service centre, check the following.

No sound:

- Make sure that there is a good connection between the player and other appliances such as the power amplifier or the TV.
- Make sure that you are operating the TV and the power amplifier correctly.

No picture:

- Make sure that there is a good connection between the player and other appliances such as the TV.
- Make sure the TV is switched on and the correct AV input is selected.

Disc does not play:

- Make sure the disc is loaded correctly (label side is facing up on the disc tray.)
- Make sure the disc is clean.

Remote control does not work:

- Remove any obstacles between the player and the remote control.
- Point the remote control at the remote control sensor.
- Check the batteries.

Picture dividing:

- Make sure the disc is clean and not scratched.
- If the player is controlled by a micro-computer and encounters problems, switch the power off, wait a few seconds and then switch it on again. If no error message is displayed, the player should work properly.

## 9. Technical Specifications

Type	Amplifier/DVD
Play mode	NTSC/PAL
Disc mode	DVD, DVD+R/RW, CD, CD-R/RW, HDCD, MP3, MPEG4
Video Characteristics	
Resolution	≥500 lines
Video S/N ratio	≥56dB
Audio Characteristics	
Total output power	150WX2
FM frequency	87.5-108MHZ
Audio S/N ratio	≥86dB
Dynamic range	≥90dB
Distortion	<0.1% (Max)
D/A converter	192KHz/24bit
Output Characteristics	
Video output	Composite video, S-Video, Component video (Y, Cb, Cr), HDMI
Audio output	ML/MR, Line out
Digital audio output	Coaxial, Optical
Power voltage	AC 100-240V~, 50/60Hz
Power consumption	150W