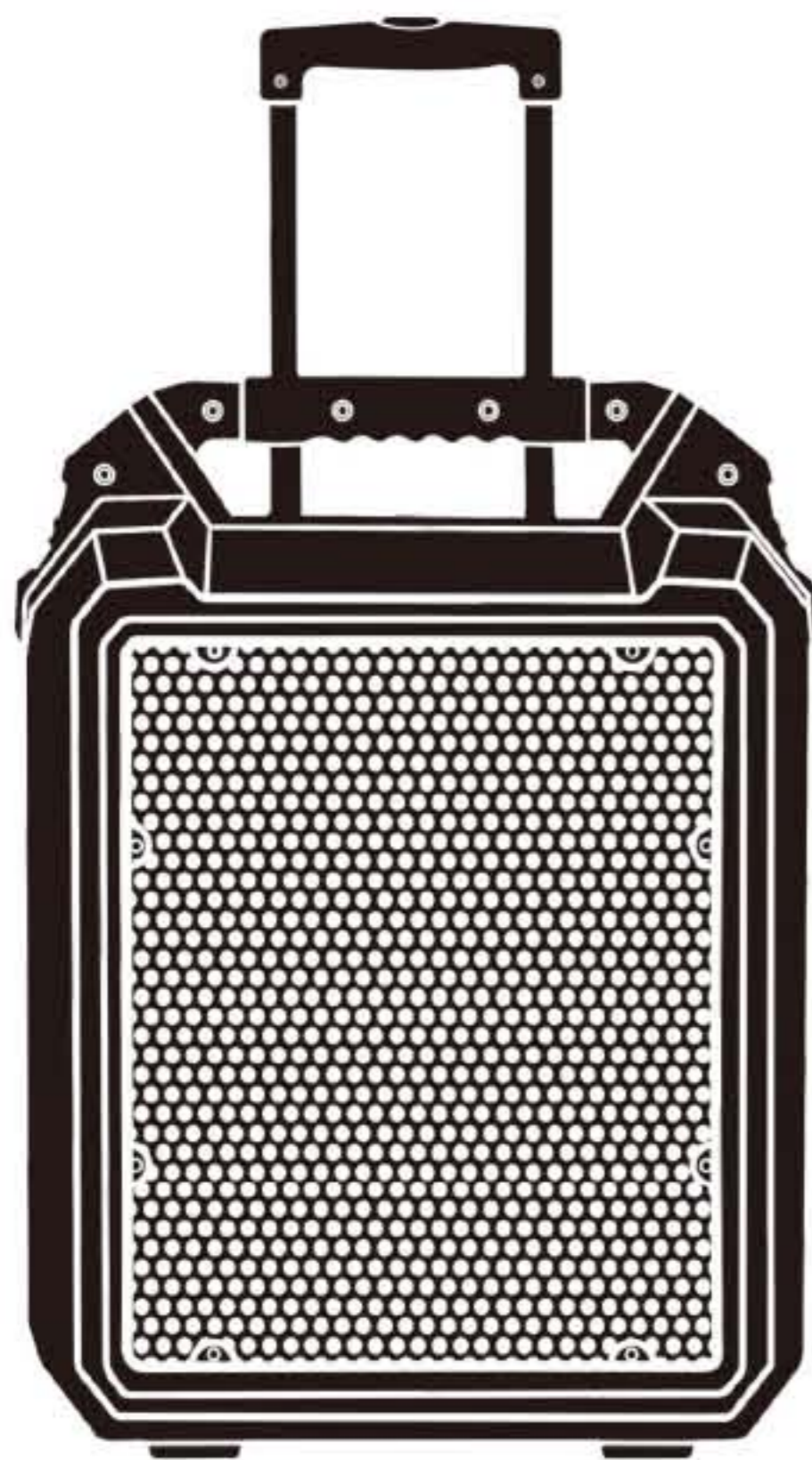


# HUMMER®

A1200B

## PROFESSIONAL SOUND 10" 2-WAY MOLDED LOUDSPEAKER User's Manual



Made in China

### Safety information and Warnings

#### CAUTION

##### Symbol Definitions

**DANGER**- Indicates an imminently hazardous situation, which, if not avoided, will result in death or serious injury. This symbol appears only in the most extreme situations.

**WARNING** - Indicates a potentially hazardous situation which could result in death or serious injury.

**CAUTION**- Indicates a potentially hazardous situation, which, if not avoided, may result in minor/moderate injury or product/property/damage. It also warns against unsafe practices



The lightning flash with arrowhead symbol, within an equilateral triangle is intended to alert the user to the presence of insulated 'dangerous voltage' within the product's enclosure that may be of sufficient magnitude to constitute a risk of electric shock to persons.



WARNING: TO REDUCE THE RISK OF ELECTRIC SHOCK DO NOT REMOVE COVER (OR BACK), NO USER SERVICEABLE PARTS INSIDE REFER SERVICING TO QUALIFIED SERVICE PERSONNEL



The exclamation point within an equilateral triangle is intended to alert the user to the presence of important operating and maintenance (servicing) instructions in the literature accompanying the appliance.

#### READ ALL INSTRUCTIONS BEFORE USE



Always follow basic safety precautions when using this Bluetooth speaker system with Microphone, especially when children are present.

#### SAFETY INSTRUCTIONS

- 1) Read this Instruction Manual before you attempt to connect or operate the appliance.
- 2) Keep these instructions in good condition. Heed all warnings. Follow all instructions.
- 3) Save this Instruction Manual for future reference.
- 4) The apparatus shall not be exposed to dripping or splashing and no objects filled with liquids, such as vases, shall be placed on the product. Dry location use only.
- 5) No naked flame source, such as candles, should be placed on the product.
- 6) Children should be supervised to ensure that they do not play with the appliance.

- 7) Ventilation should not be impeded by covering the ventilation openings.
  - 8) Ensure that the unit is plugged into an AC 100-240V 50/60Hz power outlet. Using higher voltage may cause the unit to malfunction or even fire catching. Turn off the unit before unplugging it from power source to completely switch it off.
  - 9) Do not plug/ unplug the power plug into/from an electrical outlet with wet hands.
  - 10) If the power plug does not fit into your outlet, do not force the plug into an electrical socket if it does not fit.
  - 11) Use replacement parts, which are specified by the manufacturer.
  - 12) Install the unit in accordance with the manufacturer's instructions.
  - 13) Place the unit where there is good ventilation. Place the system on a flat, hard and stable surface. Do not expose to temperatures above 40°C. Allow at least 30 cm clearance from the rear and the top of the unit and 5 cm from each side.
  - 14) Press the buttons of the unit gently. Pressing them too hard can damage the unit.
  - 15) Dispose of used batteries in an environmental-responsible manner.
  - 16) Always ensure that the product is unplugged from the electrical outlet before moving or cleaning. Clean it with dry cloth only.
  - 17) Unplug the product during lightning, storms or when it will not be used for long periods of time.
  - 18) This product has no user-serviceable parts. Do not attempt to repair this product yourself. Only qualified service personnel should perform servicing. Take the product to the electronics repair shop of your choice for inspection and repair.
  - 19) NEVER let anyone, especially children, push anything into holes, slots or any other openings in the unit's casing as this could result in a fatal electric shock.
  - 20) Don't mount this product on a wall or ceiling.
  - 21) Do not place the unit near TVs, speakers and other objects that generate strong magnetic fields.
  - 22) Do not leave the unit unattended when it is in use.
- NOTE: To disconnect the system completely if it not to be used for a long time, remove the AC power plug from the wall outlet.

#### Limited Warranty

This Limited Product Warranty is provided by BriteLite Enterprises. BriteLite warrants to Customer that the product is free from defects in materials and workmanship under normal use during the Warranty Period of 90 days for parts and 1-year labor. If the product fails to conform to the warranty then BriteLite or its authorized service will either repair or replace any nonconforming product, provided that Customer gives notice of noncompliance within the Warranty Period to BriteLite by emailing [service@britelite.net](mailto:service@britelite.net) or calling 310-363-7110 (Mexico customers can call 0155 4624 0251). Please retain the original dated receipt as evidence of proof of purchase.

General Motors Trademarks used under license to Britelite Enterprises.

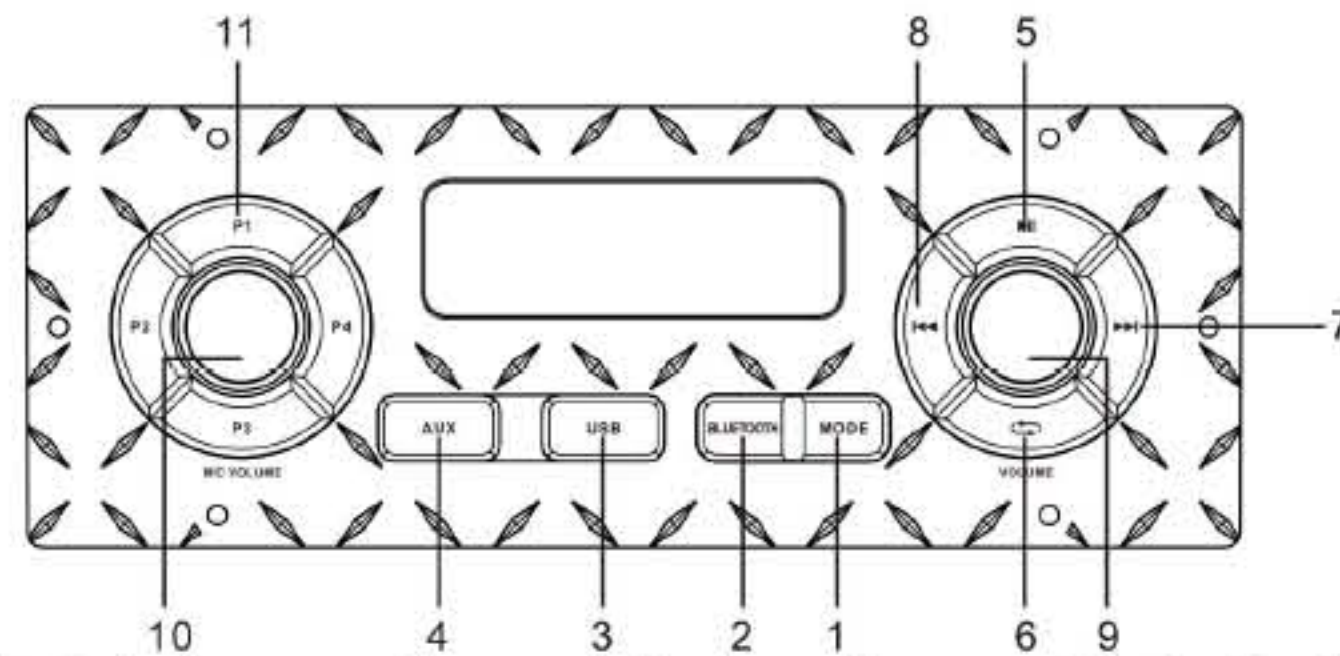
## 1. Packing Contents

- 1×Speaker
- 1×Remote Control
- 1×User's Guide
- 1×Power Cable

## 2. Specifications

10" active speaker box With rechargeable battery  
 Input : AC Input 100-240V , 50/60Hz Or rechargeable battery  
 Woofer: 10" woofer, 30Oz(120mm), 1.5 " (38 mm) voice coil  
 Tweeter: 25 mm  
 Sensitivity: 93 dB(+/-3dB)  
 Rechargeable battery capacity : 12V, 7AH  
 Power: 1200W  
 With MP3 , USB, SD card socket  
 Remote control include

## 3. Amplifier



- 1. MODE:** Select an operating modality; the options are: Bluetooth, AUX IN & FM.
- 2. Bluetooth:** Press this button to bluetooth mode.
- 3. USB input with MP3 file.**
- 4. AUX IN**
- 5. PLAY/PAUSE:**  
Press to play a song or pause while playing a song.  
When you choose FM mode, by press this button, search the FM stations automatically.

## 6. PRESS ONCE TO SELECT A PLAYER MODE, THE OPTIONS ARE:

- One: select this to play current song indefinitely.
- All: with this option you can repeat all music.
- Randomly

**7. NEXT:** Press once to jump next song, In FM mode, press it jump to next stations.

**8. PREVIOUS:** Press once to jump previous song, In FM mode, press it jump to previous stations.

**9. Master volume control.**

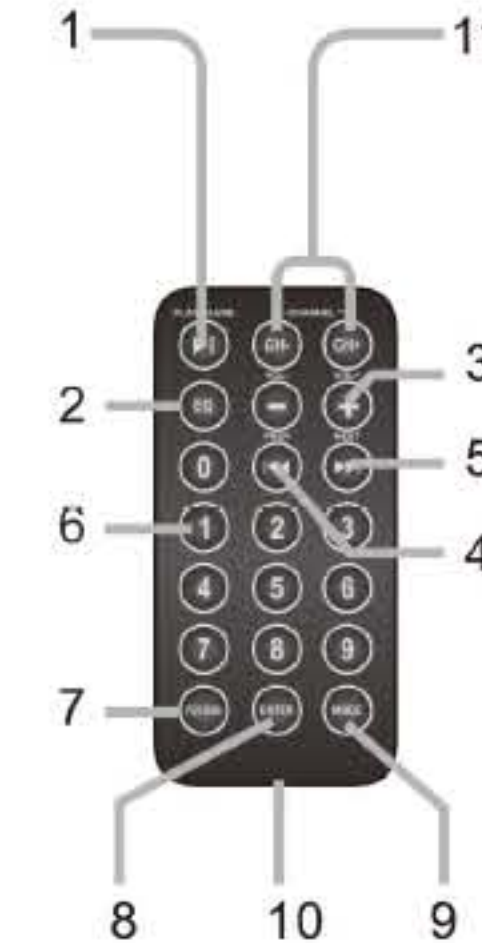
**10. Microphone volume control.**

**11. FM Pre-set.**

## CONNECTION BLUETOOTH

1. To pair the speaker with a Bluetooth phone or audio device, press "MODE" or "Bluetooth" on control panel, it will show "BT AUDIO", the words "BT AUDIO" flash in screen before bluetooth connected.
2. Put your phone or device to be used in Bluetooth device discovery mode.
3. When your phone or device shows the "A1200B" device, confirm the link. After bluetooth connected, "BT audio" in screen will not flash any more.

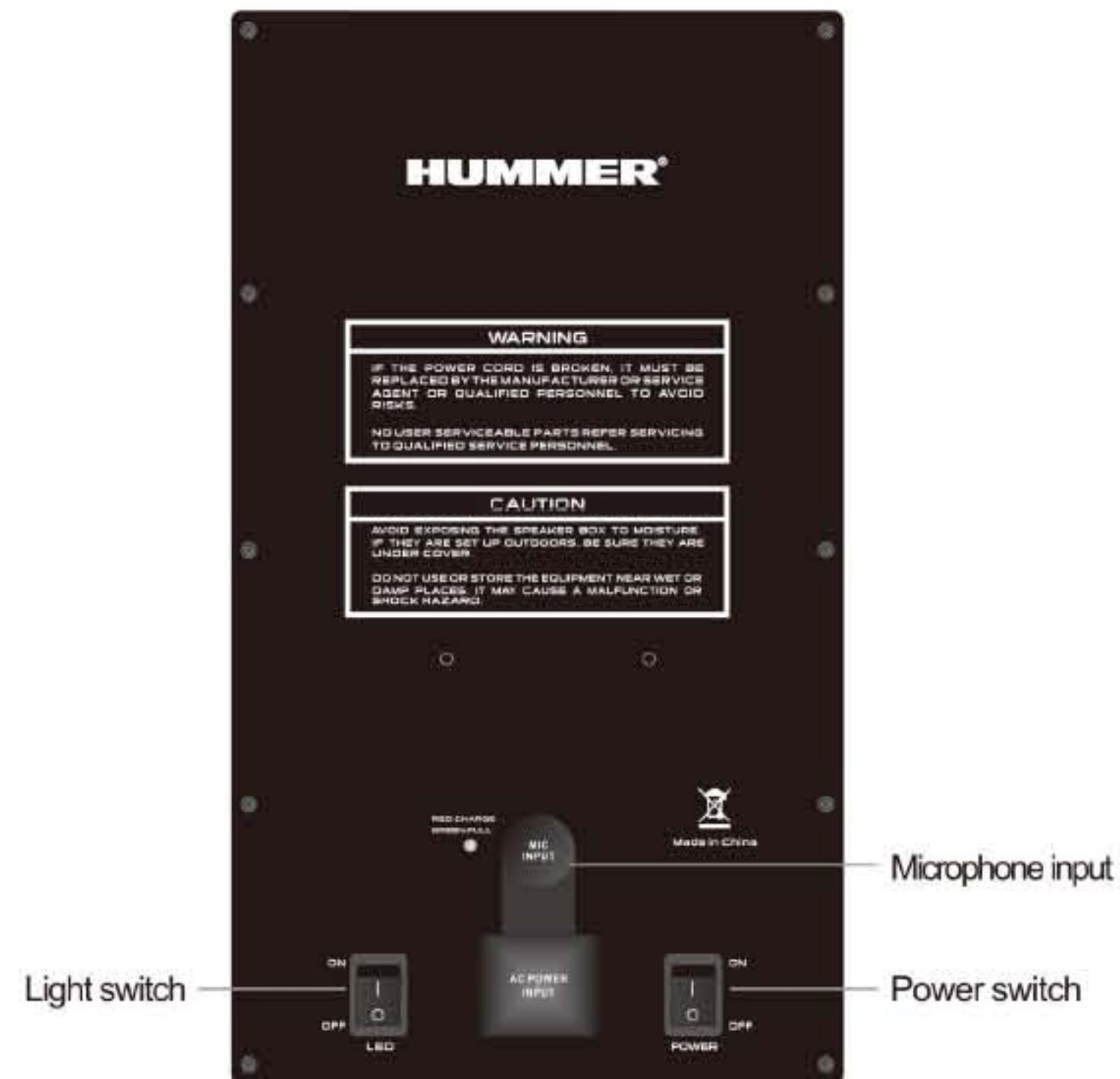
## 5. Remote control



1. Press to play a song or pause while playing a song.
2. In play mode press to set one equalizer mode.
3. Vol+ / Vol-
4. Previous: press once to jump previous song, press and hold to rewind.
5. Next: press once to jump next song, press and hold to fast-forward.
6. Keys: use this key to select the number of a desired track.
7. Pick song: allows you to select the song want to listen to so direct, for example: if you want to hear the song No.11, first press the number 11 then press this button.
8. Enter: choose repeat mode.
9. Mode: select an operating modality; the options are: Bluetooth, AUX, FM
10. Battery compartment (CR2025)
11. FM channel + and FM channel-

## 6. Caution

- Avoid exposing the speaker box to moisture. If they are set up outdoors, Be sure they are under cover.
- Do not use or store the equipment near wet or damp places. It may cause A malfunction or shock hazard.
- If the power cord is broken, it must be replaced by the manufacturer Or service agent or qualified personnel to avoid risks.
- To reduce the risk of fire or electric shock. do not expose this equipment to Rain or moisture.
- Clean only with a soft, dry cloth.



## 7. FCC Requirement

- Changes or modifications not expressly approved by the party responsible for compliance could void the user's authority to operate the equipment. This device complies with Part 15 of the FCC Rules. Operation is subject to the following two conditions:

- (1) this device may not cause harmful interference, and
- (2) this device must accept any interference received, including interference that may cause undesired operation.

Note: This equipment has been tested and found to comply with the limits for a Class B digital device, pursuant to Part 15 of the FCC Rules. These limits are designed to provide reasonable protection against harmful interference in a residential installation. This equipment generates, uses, and can radiate radio frequency energy, and if not installed and used in accordance with the instructions, may cause harmful interference to radio communications.

However, there is no guarantee that interference will not occur in a particular installation. If this equipment does cause harmful interference to radio or television reception, which can be determined by turning the equipment off and on, the user is encouraged to try to correct the interference by one or more of the following measures:

- Reorient or relocate the receiving antenna.
- Increase the separation between the equipment and receiver.
- Connect the equipment into an outlet on a circuit different from that to which the receiver is connected.
- Consult the dealer or an experienced radio/TV technician for help.

This equipment complies with FCC radiation exposure limits set forth for an uncontrolled environment. This equipment should be installed and operated with a minimum distance of 20cm between the radiator & your body. This transmitter must not be co-located or operating in conjunction with any other antenna or transmitter.

MAX10M通用说明书

尺寸：210\*435mm

材质：80克双胶正反单色印刷

图号;BTK2.932.356SS