

THOMAS FCC

AM/FM 12/24 V

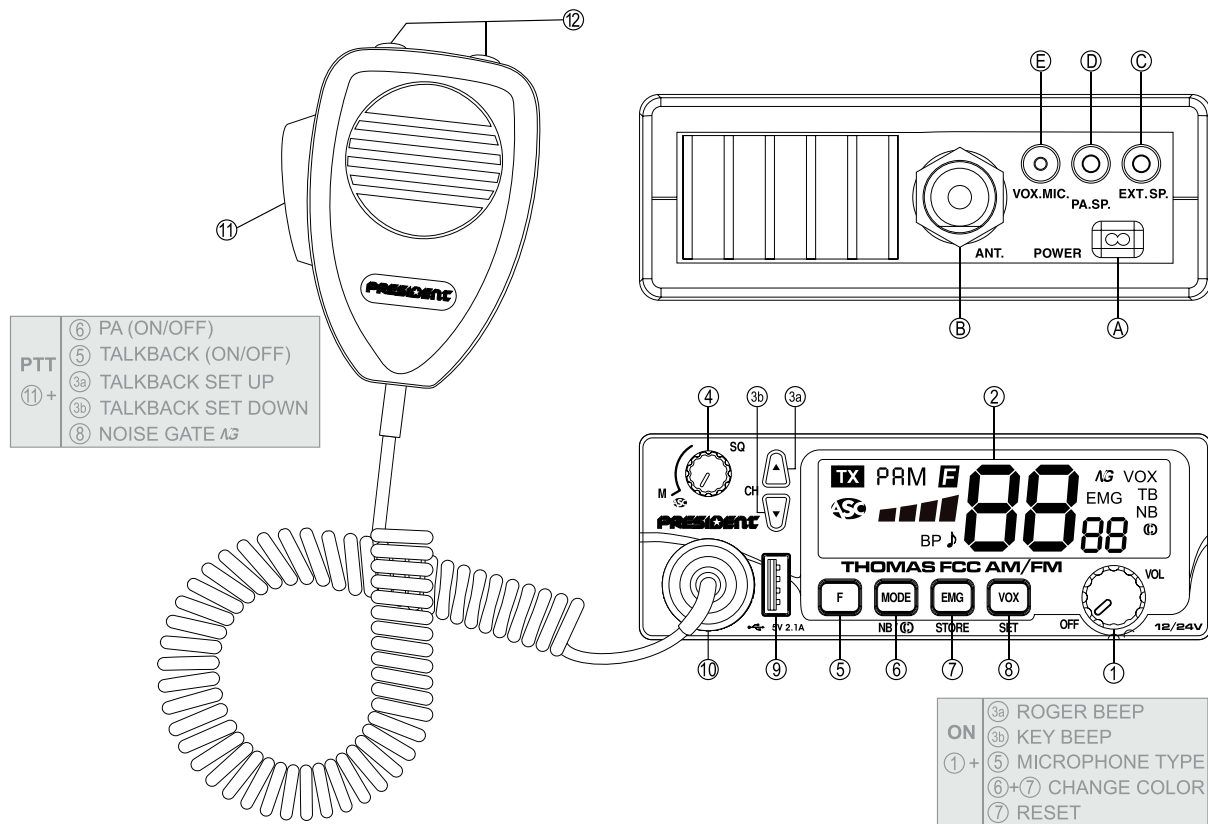


*Owner's manual / Manual del usuario
Manuel d'utilisation*

PRESIDENT

Your PRESIDENT THOMAS FCC AM/FM at a glance

Un vistazo a vuestro PRESIDENT THOMAS FCC AM/FM



Votre PRESIDENT THOMAS FCC AM/FM en un coup d'œil

English

SUMMARY

INSTALLATION	6
HOW TO USE YOUR CB	8
FUNCTIONS TURNING ON THE UNIT	11
FUNCTIONS WITH PTT SWITCH	11
TECHNICAL CHARACTERISTICS	12
TROUBLE SHOOTING	13
HOW TO TRANSMIT OR RECEIVE A MESSAGE	13
GLOSSARY	13
GENERAL WARRANTY CONDITIONS	15
FREQUENCY TABLES	40

SUMARIO

INSTALACIÓN	17
UTILIZACIÓN	19
FUNCIONES AL ENCENDER LA EMISORA	22
FUNCIONES CON LA PALANCA DE EMISIÓN PTT	23
CARACTERÍSTICAS TÉCNICAS	23
GUÍA DE PROBLEMAS	24
COMO EMITIR O RECIBIR UN MENSAJE	24
LÉXICO	25
CONDICIONES GENERALES DE GARANTÍA	27
TABLAS DE FRECUENCIAS	40

Español

SOMMAIRE

INSTALLATION	29
UTILISATION	31
FONCTIONS À L'ALLUMAGE DU POSTE	34
FONCTIONS AVEC LA PÉDALE D'ÉMISSION PTT	35
CARACTÉRISTIQUES TECHNIQUES	35
GUIDE DE DÉPANNAGE	36
COMMENT ÉMETTRE/RECEVOIR UN MESSAGE	36
GLOSSAIRE	37
CONDITIONS GÉNÉRALES DE GARANTIE	39
TABLEAUX DES FRÉQUENCES	40

Français



WARNING: This product can expose you to chemicals including Lead, which is known to the State of California to cause cancer and birth defects or other reproductive harm. For more information go to www.P65Warnings.ca.gov.

AVERTISSEMENT : Ce produit peut vous exposer à des agents chimiques, y compris le plomb, identifiés par l'État de Californie comme pouvant causer le cancer et des malformations congénitales ou autres effets nocifs sur la reproduction. Pour de plus amples informations, prière de consulter le site www.P65Warnings.ca.gov.

WARNING !

Before using, be careful never to transmit without first having connected the antenna (connection "B" situated on the back panel of the equipment) or without having set the SWR (Standing Wave Ratio) ! Failure to do so may result in destruction of the power amplifier, which is not covered by the warranty.

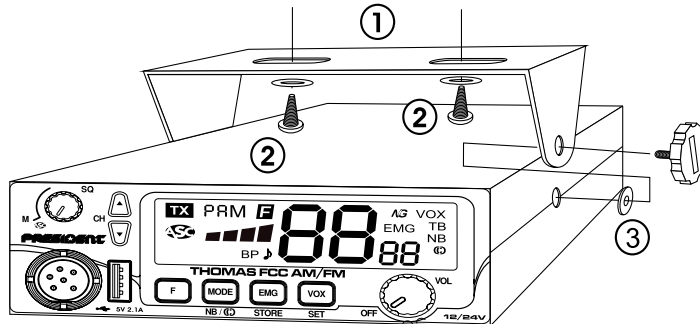
The warranty of this transceiver is valid only in the country of purchase.

Welcome to the world of the new generation of CB radios. The new PRESIDENT range gives you access to top performance CB equipment. With the use of up-to-date technology, which guarantees unprecedented quality, your PRESIDENT THOMAS FCC AM/FM is a new step in personal communication and is the surest choice for the most demanding of professional CB radio users. To ensure that you make the most of all its capacities, we advise you to read carefully this manual before installing and using your PRESIDENT THOMAS FCC AM/FM.

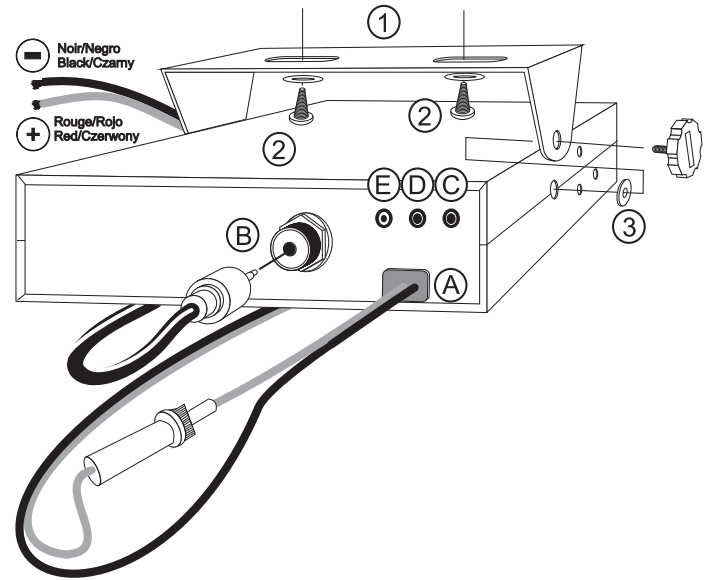
A) INSTALLATION

1) WHERE AND HOW TO MOUNT YOUR MOBILE CB RADIO

- You should choose the most appropriate setting from a simple and practical point of view.
- Your CB radio should not interfere with the driver or the passengers.
- Remember to provide for the passing and protection of different wires (e.g. power, antenna, accessory cabling) so that they do not in any way interfere with the driving of the vehicle.



MOUNTING DIAGRAM



- To install your equipment, use the cradle (1) and the self-tapping screws (2) provided (drilling diameter 3.2 mm). Take care not to damage the vehicle's electrical system while drilling the dash board.
 - Do not forget to insert the rubber joints (3) between the CB and its support as these have a shock-absorbing effect which permits gentle orientation and tightening of the set.
 - Choose where to place the microphone support and remember that the microphone cord must stretch to the driver without interfering with the controls of the vehicle.
- **Note:** As the transceiver has a frontal microphone socket, it can be set into the dash board. In this case, you will need to add an external loud speaker to improve the sound quality of communications (connector EXT.SP situated on the back panel: C). Ask your dealer for advice on mounting your CB radio.

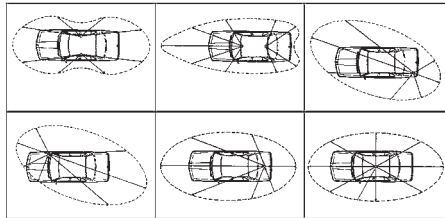
2) ANTENNA INSTALLATION

a) Choosing your antenna

- For CB radios, the longer the antenna, the better its results. Your dealer will be able to help you with your choice of antenna.

b) Mobile antenna

- Must be fixed to the vehicle where there is a maximum of metallic surface (ground plane), away from windscreen mountings.
- If you already have a radio-telephone antenna installed, the CB antenna should be higher than this.
- There are two types of antenna: pre-regulated which should be used on a good ground plane (e.g. car roof or lid of the boot), and adjustable which offer a much larger range and can be used on a smaller ground plane (see § 5 page 8, **ADJUSTMENT OF SWR**).
- For an antenna which must be fixed by drilling, you will need a good contact between the antenna and the ground plane. To obtain this, you should lightly scratch the surface where the screw and tightening star are to be placed.
- Be careful not to pinch or flatten the coaxial cable (as this runs the risk of break down and/or short-circuiting).
- Connect the antenna (**B**).



OUTPUT RADIUS PATTERN

c) Fixed antenna

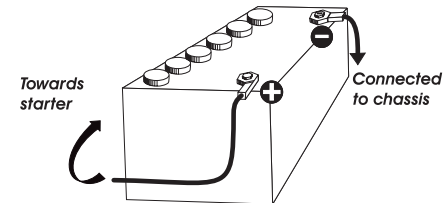
- A fixed antenna should be installed in a clear space as possible. If it is fixed to a mast, it will perhaps be necessary to stay it, according to the laws in force (you should seek professional advice). All PRESIDENT antennas and accessories are designed to give maximum efficiency to each CB radio within the range.

3) POWER CONNECTION

Your PRESIDENT THOMAS FCC AM/FM is protected against an inversion of polarities. However, before switching it on, you are advised to check all the connections. Your equipment must be supplied with a continued current of 12 or 24 volts (**A**). Today, most cars and lorries are negative earth. You can check this by making sure that the negative terminal of the battery is connected either to the engine block or to the chassis. If this is not the case, you should consult your dealer.

- Check that the battery is of 12 or 24 volts.
- Locate the positive and negative terminals of the battery (+ is red and - is black). Should it be necessary to lengthen the power cable, you should use the same or a superior type of cable.
- It is necessary to connect your CB to a permanent (+) and (-). We advise you to connect the power cable directly to the battery (as the connection of the CB cable to the wiring of the car-radio or other parts of the electrical circuit may, in some cases, increase the likelihood of interference).
- Connect the red wire (+) to the positive terminal of the battery and the black (-) wire to the negative terminal of the battery.
- Connect the power cable to your CB radio.

WARNING: Never replace the original fuse by one of a different value.



4) BASIC OPERATIONS TO BE CARRIED OUT BEFORE USING YOUR SET FOR THE FIRST TIME (without transmitting and without using the «push-to-talk» switch on the microphone)

- Connect the microphone.
- Check the antenna connections.
- Turn the set on by turning the volume knob **VOL** (1) clockwise.
- Turn the squelch **SQ** knob (4) to minimum (**M** position).
- Adjust the volume to a comfortable level.
- Go to Channel 20 using either ▲/▼ keys (3) or the **UP/DN** knobs (12).

5) ADJUSTMENT OF SWR (Standing wave ratio)

WARNING: This must be carried out when you use your CB radio for the first time (and whenever you re-position your antenna). The adjustment must be carried out in an obstacle-free area.

* Adjustment with external SWR-meter (e.g. TOS-1 PRESIDENT)

a) To connect the SWR meter

- Connect the SWR meter between the CB radio and the antenna as close as possible to the CB (use a maximum of 40 cm cable, type President CA-2C).

b) To adjust the SWR meter

- Set the CB on channel 20.
- Put the switch on the SWR-meter to position **FWD** (calibration).
- Press the «push-to-talk» switch on the microphone to transmit.
- Bring the index needle to ▼ by using the calibration key.
- Change the switch to position **REF** (reading of the SWR level). The reading on the Meter should be as near as possible to 1. If this is not the case, re-adjust your antenna to obtain a reading as close as possible to 1. (An SWR reading between 1 and 1.8 is acceptable).
- It will be necessary to re-calibrate the SWR meter after each adjustment of the antenna.

WARNING: In order to avoid any losses and attenuations in cables used for connection between the radio and its accessories, PRESIDENT recommends to use a cable with a length less than 9.84 feet. Your CB is now ready for use.

B) HOW TO USE YOUR CB

1) ON/OFF - VOLUME

- To turn the set on, turn the **VOL** knob (1) clockwise. If the **KEY BEEP** function is activated, 4 tones sound when you turn the CB radio on. See § **KEY BEEP** page 11.

See **FUNCTIONS TURNING ON THE UNIT** on page 11.

- To increase the sound level, turn the same knob further clockwise.

2) DISPLAY

It shows all functions:



The BARGRAPH shows the reception level and the output power level.

3) CHANNEL SELECTOR: ▲/▼ keys ~ SCAN

CHANNEL SELECTOR (short press)

These keys allow increasing or decreasing a channel. A «beep» sounds each time the channel changes if the **KEY BEEP** function is activated. See § **KEY BEEP** page 11.

See also § 12 page 10.

SCAN (very long press)

CB Channel Scan

Press and hold the ▲ (3a) or ▼ (3b) key, until a quick loop of all the 40 channels has been done, to activate the **SCAN** function. If the **KEY BEEP** function is activated (see § **KEY BEEP** on page 11) a tone sounds. The dot between the two digits of the channel number blinks on the display. Use ▲ key (3a) for increasing way or

▼ (3b) for decreasing way. During the scanning you can change the way by pressing the other key. The scanning stops as soon as there is a busy channel. The scanning automatically starts 3 seconds after the end of the transmission and no key is activated during 3 seconds.



Press any key (5, 6, 7 or 8) or the **PIT** switch (11) to deactivate the **CB channels SCAN**. The dot disappears on the display.

4) **ASC (Automatic Squelch Control) / SQUELCH**

Suppresses undesirable background noises when there is no communication. Squelch does not affect neither sound nor transmission power, but allows a considerable improvement in listening comfort.

a) **ASC: AUTOMATIC SQUELCH CONTROL**

Worldwide patent, a PRESIDENT exclusivity

Turn the **SQ** knob (4) anti-clockwise into **ASC** position.  appears on the display. No repetitive manual adjustment and a permanent improvement between the sensitivity and the listening comfort when ASC is active. This function can be disconnected by turning the switch clockwise. In this case the squelch adjustment becomes manual again.  disappears from the display.

b) **MANUAL SQUELCH**

Turn the **SQ** knob (4) clockwise to the exact point where all background noises disappear. This adjustment should be done with precision as, if set to maximum (fully clockwise), only the strongest signals will be received.

5) **F - MICROPHONE TYPE**

See on page 11.

6) **MODE ~ NB & COMPANDER (C)**

MODE (short press)

This key allows you to select the modulation mode (**AM** or **FM**). Your modulation mode has to correspond to the one of your correspondent. Corresponding mode is displayed on the LCD.

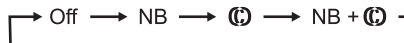
- **Amplitude Modulation / AM:** communication on a field with relief

and obstacles at middle distance (the most used).

- **Frequency Modulation / FM:** for nearby communications on a flat open field.

NB & COMPANDER (C) (long press)

Long press the **NB/(C)** key (6) to change the status of the filters :



NOISE BLANKER : This filter allow the reduction of back ground noise, and some reception interference. “**NB**” is displayed when NB filter is active.

COMPANDER (C) : this switchable filter allow to improve the reception mode.

7) **EMG ~ EMG STORE**


EMG (short press)

Emergency channels will be automatically selected by pressing the **EMG** key (7). First press : emergency channel 1 is activated. Second press: emergency channel 2 is activated. Third press: return to the current channel. “**EMG**” appears on the display when an emergency channel is activated. The default emergency channels are channel 9/AM (1) and channel 19/AM (2).

Note: Activating an emergency channel prevents use the **PA** (see § **PA** page 12) mode. If the **KEY BEEP** function is activated, an error beep sounds .

EMG STORE (long press)

Emergency channel can be stored to any channel with mode AM or FM. To set a new emergency channel:

- Short press on **EMG** key (7) to call the current emergency channel. “**EMG**” appears on the display.
- Long press on **EMG/STORE** key (7).  appears on the display and “**EMG**” blinks.
- Using the **▲/▼** keys (3) on the unit or the **UP/DN** knobs (12) on the microphone, select the new emergency channel.

- Press **MODE** key (6) to select the mode (**AM, FM**) used with new emergency channel.
- Short press on **PTT** switch (11) to validate and store the new emergency channel. A validation beep sounds.

Note: Emergency setting is not allowed if the current emergency channel is not the active channel.

8) VOX ~ VOX SET

VOX (short press)

The **VOX** function allows transmitting by speaking into the original microphone (or in the optional vox microphone) without pressing the **PTT** switch (11). The use of an optional vox microphone connected to the rear panel of the transceiver (**E**) disables the original microphone.

Press shortly the **VOX** key (8) in order to activate the **VOX** function. «**VOX**» appears on the display. A new press on the **VOX** (8) key disables the function, «**VOX**» disappears.

VOX SET (long press)

1. Long press the **VOX/SET** key (8) to enter the **VOX SETTING**. «**VOX**» blinks, the current setting and its value appear on the display. Three parameters allow to adjust the **VOX**: Sensitivity: **L** / Anti-vox level: **R** / Vox delay time: **t**.
 - 2a. Use the **▲/▼** key (3) on the unit or the **UP/DN** key (12) on the microphone to modify the current parameter then, press the **F** key (5) to select the next parameter or...
 - 2b. Press first the **F** key (5) to select another parameter and then use the **▲/▼** key (3) on the unit or the **UP/DN** key (12) on the microphone to modify the current parameter.
 3. When all adjustments are done, long press the **PTT** switch (11) to store and exit. If the **KEY BEEP** function is activated, a long beep sounds to confirm the success of the operation (see § **KEY BEEP** page 11).
 4. If no key is pressed for 10 seconds, the unit automatically exits the function **VOX SETTING** without saving.
- **Sensitivity L** : allows the adjustment of the microphone (original one

or optional vox) for an optimum transmission quality. Adjustable level from **L 1** (high level) to **L 9** (low level). Default value: **L 5**.

- **Anti-Vox R**: allows disabling the transmission generated by the surrounding noise. The level is adjustable. **RF** (according the squelch level) and from **R 0** (without anti-vox) to **R 9** (low level). Default value: **RF**.
- **Delay time t**: allows avoiding the sudden cut of the transmission by adding a delay at the end of speaking. The level is adjustable from **t 1** (short delay) to **t 9** (long delay). Default value: **t 1**.

VOX SETTING doesn't activate the **VOX** function.

9) USB CHARGING SOCKET

The **USB** socket (9) can be used to charge a smartphone, tablet or other rechargeable device with 5 V - 2.1 A.

10) 6 PIN MICROPHONE PLUG

The plug is located on the front panel of the transceiver and makes the setting of the equipment into the dashboard easier.

See cabling diagram page 40.

11) PTT (Push To Talk)

Transmission key, press to transmit a message, **TX** is displayed and release to listen to an incoming communication.

See **FUNCTIONS WITH PTT SWITCH** on page 11.

TOT (Time Out Timer)

If the transmission key is longer than 3 minutes, active channel and **TX** start blinking, the transmission ends.

The time-out tone will sound until the **PTT** switch (11) is released.

12) CHANNEL SELECTOR: UP/DN knobs on the microphone

These keys allow increasing or decreasing a channel. A «beep» sounds each time the channel changes if the **KEY BEEP** function is activated. See § **KEY BEEP** page 11.

See also § 3 page 8.

- A) DC-POWER TERMINAL (13.8 V / 27.6 V)
- B) ANTENNA CONNECTOR (SO-239)
- C) EXTERNAL SPEAKER JACK (8 Ω, Ø 3.5 mm)
- D) PA SPEAKER JACK (8 Ω, Ø 3.5 mm)
- E) OPTIONAL VOX MIKE (Ø 2.5 mm)

C) FUNCTIONS TURNING ON THE UNIT

5 more functions are available. Turn off the unit. Turn on the radio while pressing one or two keys to set the function.

1) ROGER BEEP (▲ key on the unit or UP knob on microphone)

The ROGER BEEP sounds when the PTT switch (11) of the microphone is released in order to let your correspondent speak. Historically as CB is a "simplex" communication mode, it is not possible to speak and listen at the same time (as it is the case with a telephone). Once the conversation was over, he said "Roger" in order to prevent his correspondent that it was his turn to talk. The word "Roger" has been replaced by a significant beep. That is where the name "Roger beep" comes from.

- Turn on the power while pressing the ▲ key (3a) or UP knob (12) to alternate between enable (□n) or disable (□F) the **ROGER BEEP** function.
- When function is activated, "♪" appears on the display.

Note: The Roger beep also sounds in the loudspeaker if the **KEY BEEP** function is active. If the **KEY BEEP** function is not active, only the correspondent can hear the **ROGER BEEP**.

In **PA mode** the function is not allowed.

2) KEY BEEP (▼ key on the unit or DN knob on microphone)

Some operations such as changing channels, pressure on keys etc. are confirmed by a beep tone. This beep tone can be activated or deactivated as follows:

- Turn on the power while pressing the ▼ key (3b) or the DN knob (12) to alternate between enable (□n) or disable (□F) the **KEY BEEP**

function.

- When function is activated, "BP" appears on the display.

3) F - MICROPHONE TYPE (F key)

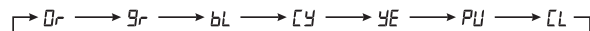
Your THOMAS FCC AM/FM allows you to use a dynamic or electret microphone. To select the type:

- Turn on the power while pressing the **F (5)** key. The symbol of the current microphone type **d4nR** (dynamic) or **ELÉE** (electret) is displayed. Repeat this action to set the correct microphone type.

Original 6 pins PRESIDENT microphone is electret type.

4) COLOR (MODE + EMG keys)

- Turn on the power while pressing the **MODE (6)** and **EMG (7)** keys. The symbol of the current color, among the seven, blinks: □r (orange), □r (green), □L (blue), □Y (cyan), □E (yellow), □U (purple) or □L (cyan light).
- Use the ▲/▼ keys (3) on the unit or UP/DN knobs (12) on the microphone to change the color.



- When the color is set, long press the **F key (5)**. A beep sounds, the characters of the color are displayed during 1 second.

5) RESET

- Turn on the power while pressing the **EMG key (7)** to reset to the factory settings.
- "r5" blinks in the display.
- Press the **F key (5)** for 1 second to confirm.

D) FUNCTIONS WITH PTT SWITCH

4 more functions are available. To activate the function press and hold the **PTT switch (11)** and press the function key. Repeat this process to deactivate the function.

1) TALKBACK (PTT + F)

The **TALKBACK** function can be activated or deactivated as follows:

- a) Press and hold the **PTT** switch (11)
- b) Short press on **F** key (5). Current **TALKBACK** level blinks 3 times allowing you to adjust this level.

When function is activated, “**TALKBACK**” appears on the display. This function allows to ear your own modulation with the CB speaker.

2) TALKBACK LEVEL (PTT + ▲/▼ on the unit)

- At step **b)** adjust the **TALKBACK** level using the ▲/▼ keys (3) on the unit.
- When the function in **on** and “**TALKBACK**” is shown on the display, press and hold the **PTT** switch (11), then use the ▲ (3a) / ▼ (3b) keys on the unit to select the level. 9 levels from 01 to 09.
- **Note:** The use of the **UP/DN** knobs (12) on microphone are not allowed to adjust **TALKBACK** level.

3) PA (PTT + MODE)

- Press and hold the **PTT** switch (11)
- Short press on **MODE** key (6) to activate or deactivate the **PA** (Public Address) mode. An external loud speaker can be connected to your THOMAS FCC AM/FM by the **PA jack** plug situated on the back panel PA.SP (D). The CB message received or transmitted into the microphone will be directed towards the external speaker and be amplified. Adjust the **PA** volume with **VOL** key (1). When **PA** mode is activated, “**PA**” and the used mode (**AM, FM**) blink alternatively. When **PTT** switch (11) is pressed, “**PA**” replace the active channel on the display. Release the **PTT** switch (11) to display again the active channel.

4) NOISE GATE \mathcal{N} (PTT + VOX)

- Press and hold the **PTT** switch (11).
- Short press the **VOX** key (8) to activate (0n) or deactivate (0F) the **NOISE GATE**. “**N**” is displayed when the function is active.

Noise Gate: Prevents amplification of background noise. This results in optimized signal levels.

E) TECHNICAL CHARACTERISTICS

1) GENERAL

- Channels : 40
- Modulation modes : AM/FM
- Frequency ranges : from 26.965 MHz to 27.405 MHz
- Antenna impedance : 50 ohms
- Power supply : 13.8 V / 27.6 V
- Dimensions (in mm) : 125 (L) x 180 (H) x 45 (D)
- Weight : \approx 0.9 kg
- Accessories supplied : Electret microphone with support, mounting cradle, screws.
- Filter : ANL (Automatic Noise Limiter) built-in

2) TRANSMISSION

- Frequency allowance : +/- 200 Hz
- Carrier power : 4 W AM / 4 W FM
- Transmission interference : inferior to 4 nW (- 54 dBm)
- Audio response : 300 Hz to 3 KHz in AM/FM
- Emitted power in the adj. channel : inferior to 20 μ W
- Microphone sensitivity : 7 mV
- Maximum drain : 1.7 A at 13.8 V / 0.85 A at 27.6 V
- Modul. signal distortion : 3 %

3) RECEPTION

- Maxi. sensitivity at 20 dB sinad : 0.5 μ V - 113 dBm AM / 0.35 μ V - 116 dBm FM
- Frequency response : 300 Hz to 3 kHz
- Adjacent chan. selectivity : 60 dB
- Maximum audio power : 2.5 W
- Squelch sensitivity : minimum 0.2 μ V - 120 dBm
maximum 1 mV - 47 dBm
- Frequency image rejection rate : 70 dB
- Intermediate frequency rejection rate : 70 dB
- Drain : 160 ~ 500 mA (13.8 V)
100 ~ 250 mA (27.6 V)

F) TROUBLE SHOOTING

1) YOUR CB RADIO WILL NOT TRANSMIT OR YOUR TRANSMISSION IS OF POOR QUALITY

- Check that the antenna is correctly connected and that the SWR is properly adjusted.
- Check that the microphone is properly plugged in.

2) YOUR CB RADIO WILL NOT RECEIVE OR RECEPTION IS POOR

- Check that the squelch level is properly adjusted.
- Check that the volume is set to a comfortable listening level.
- Check that the antenna is correctly connected and that the SWR is properly adjusted.
- You are using the same modulation mode than your correspondent.

3) YOUR CB WILL NOT LIGHT UP

- Check the power supply.
- Check the connection wiring.
- Check the fuse.

G) HOW TO TRANSMIT OR RECEIVE A MESSAGE

Now that you have read the manual, make sure that your CB Radio is ready for use (i.e. check that your antenna is connected). Choose your channel (19, 27).

Press the «push-to-talk» switch (11) and announce your message «Attention stations, transmission testing» which will allow you to check the clearness and the power of your signal. Release the switch and wait for a reply. You should receive a reply like, «Strong and clear».

If you use a calling channel (19, 27) and you have established communication with someone, it is common practice to choose another available channel so as not to block the calling channel.

H) GLOSSARY

Below you will find some of the most frequently used CB radio expressions. Remember this is meant for fun and that you are by no means obliged to use them. In an emergency, you should be as clear as possible.

INTERNATIONAL PHONETIC ALPHABET

A Alpha	H Hotel	O Oscar	V Victor
B Bravo	I India	P Papa	W Whiskey
C Charlie	J Juliet	Q Quebec	X X-ray
D Delta	K Kilo	R Romeo	Y Yankee
E Echo	L Lima	S Sierra	Z Zulu
F Foxtrot	M Mike	T Tango	
G Golf	N November	U Uniform	

TECHNICAL VOCABULARY

AM	: Amplitude Modulation
CB	: Citizen's Band
CH	: Channel
CW	: Continuous Wave
DX	: Long Distance Liaison
DW	: Dual Watch
FM	: Frequency Modulation
GMT	: Greenwich Meantime
HF	: High Frequency
LF	: Low Frequency
LSB	: Lower Side Band
RX	: Receiver
SSB	: Single Side Band
SWR	: Standing Wave Ratio
SWL	: Short Wave Listening
SW	: Short Wave
TX	: CB Transceiver
UHF	: Ultra High Frequency
USB	: Upper Side Band
VHF	: Very High Frequency

CB LANGUAGE

Advertising	: Flashing lights of police car	Man with a gun	: Police radar
Back off	: Slow down	Mayday	: SOS
Basement	: Channel 1	Meat wagon	: Ambulance
Base station	: A CB set in fixed location	Midnight shopper	: Thief
Bear	: Policeman	Modulation	: Conversation
Bear bite	: Speeding fine	Negative copy	: No reply
Bear cage	: Police station	Over your shoulder	: Right behind you
Big slab	: Motorway	Part your hair	: Behave yourself - police ahead
Big 10-4	: Absolutely	Pull your hammer back	: Slow down
Bleeding	: Signal from an adjacent channel interfering with the transmission	Rat race	: Congested traffic
Blocking the channel	: Pressing the PTT switch without talking	Rubberbander	: New CBER
Blue boys	: Police	Sail boat fuel	: Wind
Break	: Used to ask permission to join a conversation	Smokey dozing	: Parked police car
Breaker	: A CBER wishing to join a channel	Smokey with a camera	: Police radar
Clean and green	: Clear of police	Spaghetti bowl	: Interchange
Cleaner channel	: Channel with less interference	Stinger	: Antenna
Coming in loud and proud	: Good reception	Turkey	: Dumb CBER
Doughnut	: Tyre	Up one	: Go up one channel
Down and gone	: Turning CB off	Wall to wall	: All over/everywhere
Down one	: Go to a lower channel	What am I putting to you?	: Please give me an S-meter reading
Do you copy?	: Understand?		
DX	: Long distance		
Eighty eights	: Love and kisses		
Eye ball	: CBers meeting together		
Good buddy	: Fellow CBER		
Hammer	: Accelerator		
Handle	: CBER's nickname		
Harvey wall banger	: Dangerous driver		
How am I hitting you?	: How are you receiving me?		
Keying the mike	: Pressing the PTT switch without talking		
Kojac with a kodak	: Police radar		
Land line	: Telephone		
Lunch box	: CB set		

GENERAL WARRANTY CONDITIONS

This device is guaranteed **2 years** parts and labour in its country of purchase against any manufacturing defects validated by our technical department. PRESIDENT After Sales Service department reserves the right not to apply the warranty in the event a breakdown is caused by an antenna other than those distributed by PRESIDENT. An extension of **3 years** warranty is proposed systematically for the simultaneous purchase of a device and a PRESIDENT antenna, bringing the total duration of the warranty to **5 years**. In order to be valid, the warranty registration must be completed and submitted within a period of 30 days after the purchase date to PRESIDENT ELECTRONICS online at www.president-electronics.us/warranty-registration. You can also access this warranty registration page by using your smartphone to read (application must be available) the QR code. You will receive a confirmation email if the registration is successfully completed. Please keep a copy of this email for your records.

Any repair under warranty will be without charge and the return delivery costs will be borne by PRESIDENT. A proof of purchase sales receipt must be included with the device to be repaired. The dates listed on the warranty registration and proof of purchase must match. In case the device is not under warranty, the repair and return of the device will be charged. No spare parts will be sent nor exchanged by PRESIDENT under warranty. Do not proceed with the installation of the device without reading the user manual. The warranty is only valid in the country of purchase.

Exclusions (not covered by Warranty):

- Damages caused by accident, shock or inadequate packaging.
- Power transistors, microphones, lights, fuses and the disrespect of the installation and use of specifications (including but not limited to antenna used with too high power, final output power transistors (SWR), inversion of polarities, bad connections, over voltage...).
- The warranty cannot be extended due to the non-availability of the device while it is being serviced at PRESIDENT After Sales Service department, nor by a change of one or more components or spare parts.
- Transceivers which have been modified. The warranty application is excluded in case of modification or poor maintenance done by a third party not approved by PRESIDENT ELECTRONICS.

If you note a malfunction:

- Check the power supply of your device and the quality of the fuse.
- Check that the antenna, the microphone are correctly connected.

- Check that the squelch level is properly adjusted; the programmed configuration is the correct one.
- In the event of a real malfunction, please contact your dealer first. He will decide what action should be taken.

In case of an intervention not covered by warranty, an estimate will be established before any repair.

Thank you for your confidence in the PRESIDENT quality and experience. We recommend that you read this manual carefully so that you are completely satisfied with your purchase.

Technical Manager
and
Quality Manager

Warranty Registration





WARNING: This product can expose you to chemicals including Lead, which is known to the State of California to cause cancer and birth defects or other reproductive harm. For more information go to www.P65Warnings.ca.gov.

AVERTISSEMENT : Ce produit peut vous exposer à des agents chimiques, y compris le plomb, identifiés par l'État de Californie comme pouvant causer le cancer et des malformations congénitales ou autres effets nocifs sur la reproduction. Pour de plus amples informations, prière de consulter le site www.P65Warnings.ca.gov.

¡ ATENCIÓN !

Antes de la utilización tengan cuidado de nunca emitir sin haber previamente conectado la antena (conector "B" situado en la parte trasera de su equipo), ajustada la ROE (Relación de Ondas Estacionarias)! Sino, se expone a dañar el amplificador de potencia, no cubierto por la garantía.

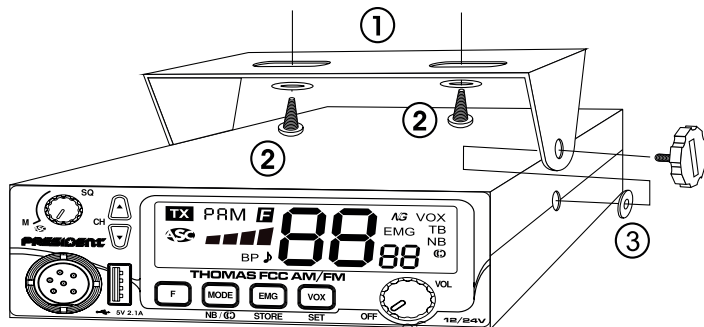
La garantía de este artículo sólo es válida en el país de compra.

Bienvenido al mundo de los emisores-receptores CB de última generación. Esta nueva gama de estaciones le permite acceder a la comunicación electrónica más competitiva. Gracias a la utilización de tecnología punta que garantiza una calidad sin precedentes, su PRESIDENT THOMAS FCC AM/FM representa un nuevo hito en la facilidad de uso y la solución por excelencia para el usuario más exigente de CB. Para sacar el máximo partido de todas sus posibilidades, le aconsejamos leer atentamente estas instrucciones de uso antes de instalar y utilizar su CB PRESIDENT THOMAS FCC AM/FM.

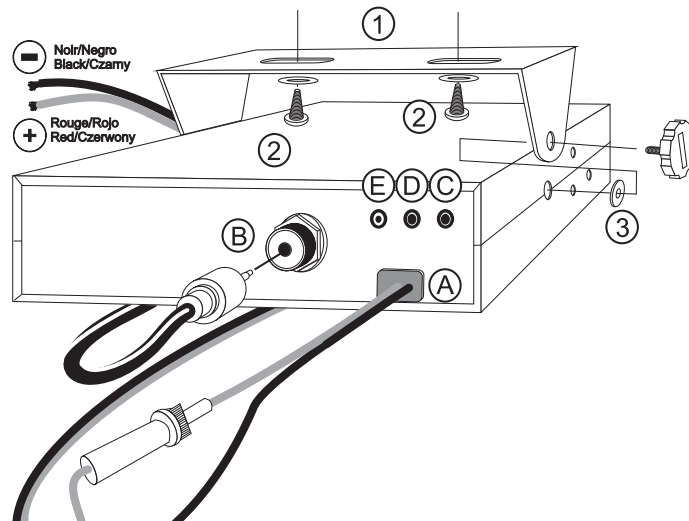
A) INSTALACIÓN

1) ELEGIR EL EMPLAZAMIENTO Y MONTAJE DEL PUESTO MÓVIL

- Escoja el emplazamiento más apropiado para una utilización simple y práctica de su estación móvil.
- Procure que no moleste ni al conductor ni a los pasajeros del vehículo.
- Prevea el paso y la protección de los diferentes cables, (alimentación, antena, accesorios) con el fin de que en ningún caso perturben la conducción del vehículo.



ESQUEMA GENERAL DE MONTAJE



- Utilice para el montaje el soporte (1) entregado con el aparato, fíjelo sólidamente con ayuda de los tornillos auto-roscantes (2) proporcionados (diámetro de agujero de 3.2 mm). Tenga cuidado de no dañar el sistema eléctrico del vehículo en el momento del taladro del salpicadero.
 - En el momento del montaje, no se olvide de insertar las arandelas de caucho (3) entre la estación y su soporte. Éstas tienen, en efecto, un papel "amortiguador" y permiten una orientación y presión suaves de la estación.
 - Escoja un emplazamiento para el soporte del micro y prevea el paso de su cable.
- **NOTA:** Su estación móvil que posee una toma de micro en la parte frontal puede ser empotrada en el cuadro de mandos. En ese caso, se recomienda añadirle un altavoz externo para una mejor escucha de las comunicaciones (conector EXT.SP situado en la cara posterior del aparato: C). Infórmese con su vendedor más próximo para el montaje en su aparato.

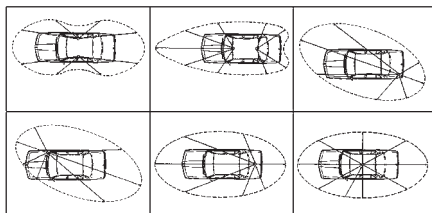
2) INSTALACIÓN DE LA ANTENA

a) Elección de la antena

- En CB, cuanto más grande es una antena, mejor es su rendimiento. Su Centro de Asesoramiento sabrá orientarle en su elección.

b) Antena móvil

- Hay que instalarla en un lugar del vehículo donde haya un máximo de superficie metálica (plano de masa), alejándose de los montantes del parabrisas y de la luneta trasera.
- En caso de que se haya instalado una antena de radio-teléfono, la antena CB debe estar por encima de ésta.
- Existen 2 tipos de antenas: las preajustadas y las regulables.
- Las preajustadas se utilizan preferentemente con un buen plano de masa (en el techo o en el maletero).
- Las regulables ofrecen un campo de uso mucho más ancho y permiten sacar partido de planos de masa menos importantes (véase § 5 página 19 **AJUSTE DE LA ROE**).
- Para una antena de fijación por taladro, es necesario tener un contacto excelente entre la antena y el plano de masa; para ello, rasque ligeramente la chapa al nivel del tornillo y de la estrella de presión.
- En el momento del paso del cable coaxial, tenga cuidado de no pellizcarlo ni aplastarlo (riesgo de rotura o cortocircuito).
- Conecte la antena **(B)**.



LÓBULO DE RADIACIÓN

c) Antena fija

- Procure abrirla al máximo. En caso de fijación sobre un poste, habrá que sostenerla eventualmente conforme a las normas vigentes (infórmese con un profesional). Las antenas y los accesorios

PRESIDENT han sido especialmente concebidos para un rendimiento óptimo de todos los aparatos de la gama.

3) CONEXIÓN DEL ALIMENTADOR

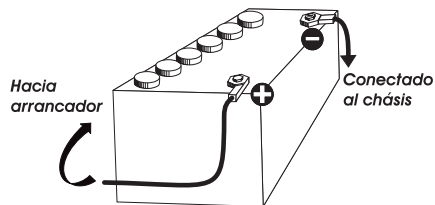
Su PRESIDENT THOMAS FCC AM/FM está provista de una protección contra las inversiones de polaridad.

Vuestra emisora debe estar alimentada por una fuente de corriente continua de 12 o 24 voltios **(A)**. En este momento, la mayor parte de los coches y camiones funcionan con una toma de tierra negativa, se puede asegurar verificando que el terminal (-) de la batería esté bien conectado al bloque del motor o bastidor. En el caso contrario, consulte con su suministrador.

Todas las operaciones de conexión siguientes, deben efectuarse con el cable de alimentación no conectado a la emisora:

- a) Asegúrense que el alimentador sea de 12 o 24 Voltios.
- b) Identifique los polos **(+)** y **(-)** de la batería **(+ = rojo, - = negro)**. En el caso que sea necesario alargar el cable de alimentación utilice un cable de sección equivalente o superior.
- c) Es necesario conectar sobre un **(+)** y **(-)** permanentes. Les aconsejamos enchufar directamente el cable de alimentación en la batería (el enchufe sobre el cable del auto-radio o sobre otras partes del circuito electrónico podrán en ciertos casos favorecer la recepción de las señales parásitas).
- d) Conecten el hilo rojo **(+)** al borne positivo de la batería y el hilo negro **(-)** al borne negativo de la batería.
- e) Conectar el cable de alimentación a la emisora.

ATENCIÓN: ¡No reemplace jamás el fusible de origen por un modelo de un valor diferente!



4) OPERACIONES DE BASE QUE HAY QUE EFECTUAR ANTES DE LA PRIMERA UTILIZACIÓN, SIN PASAR POR EMISIÓN (sin apretar la palanca del micro)

- Conecte el micro,
- Verifique la conexión de la antena,
- Puesta en marcha del aparato: gire el botón del volumen **VOL** (1) en el sentido de las agujas del reloj hasta oír un "clic",
- Gire el botón del squelch **SQ** (4) al mínimo, en la posición **M**,
- Ajuste el volumen (1) a un nivel conveniente,
- Dirija la estación al canal 20 con ayuda de la teclas ▲/▼ (3) de la estación o de los botones **UP/DN** (12) del micrófono.

5) AJUSTE DE LA ROE (Relación de Ondas Estacionarias)

ATENCIÓN: Esta operación debe efectuarse necesariamente en el momento de la primera utilización del aparato o en el momento de un cambio de antena. Este ajuste debe realizarse en un lugar abierto, al aire libre.

* Ajustes con el medidor de ROE externo (tipo TOS-1 PRESIDENT)

a) Empalme del medidor de ROE

- Conecte el medidor de ROE entre la estación y la antena, lo más cerca posible de la estación (utilice para ello un cable de 40 cm máximo tipo CA-2C PRESIDENT).

b) Ajuste de la ROE

- Posicione la estación hacia el canal 20 en AM.
- Sitúe el conmutador del medidor de ROE en posición **FWD** (calibración).
- Apriete la palanca **PIT** (11) del micro para pasar a emisión.
- Dirija la aguja al índice ▼ con ayuda del botón de calibración.
- Ponga el conmutador en posición **REF** (lectura del valor de la ROE). El valor leído en el indicador debe estar muy cerca de 1. En caso contrario, reajuste su antena hasta obtener un valor lo más cerca posible a 1 (puede aceptarse un valor de la ROE comprendido entre 1 y 1,8).
- Es necesario recalibrar el medidor de ROE entre cada operación de ajuste de la antena.

Observación: Con el fin de evitar las pérdidas y las atenuaciones

en los cables de conexión entre la radio y sus accesorios, PRESIDENT recomienda una longitud de cable inferior a 3m.

Ahora, su estación está preparada para funcionar.

B) UTILIZACIÓN

1) INTERRUPTOR DE VOLUMEN

- Para encender la emisora girar el botón **VOL** (1) en el sentido de las agujas del reloj. Si la función **BEEP DE TECLADO** esta activa, 4 notas se emiten cuando se enciende la emisora. Véase el § **BEEP DE TECLADO** página 22.

Ver § **FUNCIONES AL ENCENDER LA EMISORA** página 22.

- Para aumentar el volumen girar el botón en el sentido de las agujas del reloj.

2) PANTALLA

Permite visualizar todas las funciones.



El gráfico de barras el nivel de recepción y el nivel de la potencia emitida.

3) SELECTOR DE CANALES: teclas ▲/▼ ~ SCAN

SELECTOR DE CANALES (presión breve)

Estas teclas permiten ascender o descender de un canal. Se emite un beep sonoro en cada cambio de canal si se activa la función **BEEP DE TECLADO** (Véase Función **BEEP DE TECLADO** página 22).

Ver también § 12 página 22.

SCAN (presión muy prolongada)

Scan de los Canales CB


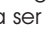
Mantenga pulsada la tecla ▲ (3a) o ▼ (3b) hasta que se haya realizado un bucle rápido de los 40 canales para activar la función **SCAN** (exploración de canales). Si la función **BEEP DE TECLADO** está activada (véase el § **BEEP DE TECLADO** en la página 22) se emite un doble "beep". El punto entre dos dígitos de los canales parpadea en la pantalla. Utilice la tecla ▲ (3a) para escanear dentro de un orden creciente o ▼ (3b) para escanear dentro de un orden descendente. Durante el escaneo puede cambiar el sentido presionando la otra tecla. La exploración se detiene cuando un canal está activo. La exploración comienza automáticamente 3 segundos después del final de la emisión si no se ha activado ninguna tecla durante este tiempo. Presione cualquier tecla (5, 6, 7 o 8) o la palanca **PTT** (11) para desactivar la función **SCAN de los canales CB**. El punto entre dos dígitos de los canales desaparece de la pantalla.

4) ASC (Automatic Squelch Control)/SQUELCH

Permite suprimir los ruidos de fondo indeseables en la ausencia de comunicación. El squelch no interviene ni en el volumen ni en la posición de emisión, pero permite escuchar confortablemente.

a) ASC (AJUSTE AUTOMÁTICO DEL SQUELCH)

Patente mundial, exclusividad de PRESIDENT

Girar el botón del squelch **SQ** (4) en el sentido inverso de las agujas del reloj en la posición **ASC**.  aparece en la pantalla. En lugar de un ajuste manual repetitivo, se produce una optimización permanente entre la sensibilidad y la escucha confortable cuando el ASC está activado. Esta función es conmutable por la rotación del botón en sentido de las agujas de un reloj, en este caso el ajuste del squelch vuelve a ser manual.  desaparece de la pantalla.

b) SQUELCH MANUAL

Girar el botón del squelch **SQ** (4) en el sentido de las agujas del reloj justo hasta el punto exacto, todos los ruidos de fondo desaparecerán. Es un ajuste que se ha de hacer con precisión, pues colocado en posición máxima en el sentido de las agujas del reloj, únicamente las señales más fuertes pueden ser recibidas.

5) F - TIPO DE MICRÓFONO

Véase el § página 22.

6) MODE ~ NB & COMPANDER

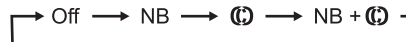
MODE (presión breve)

Apriete la tecla **MODE** (6) para seleccionar el modo de modulación **AM** o **FM**. Su modalidad de trabajo debe corresponder con la de su interlocutor. La pantalla indica el modo correspondiente.

- **Modulación de Amplitud AM:** Comunicación sobre terreno con relieve y obstáculos a mediana distancia (la mas utilizada).
- **Modulación de frecuencia FM:** Comunicaciones cercanas en terreno plano y despejado.

NB & COMPANDER (presión larga)

Una presión larga en la tecla **NB/  (6)** permite cambiar el estado de los filtros :



NOISE BLANKER. Este filtros permite reducir los ruidos de fondo y ciertos parásitos en recepción. Cuando el filtro **NB** esta activo, "NB" aparece en la pantalla.

COMPANDER  : Este filtro conmutable mejora el modo de recepción.

7) CANAL DE EMERGENCIA ~ DEFINICIÓN DEL CANAL DE EMERGENCIA

CANAL DE EMERGENCIA (EMG) (presión breve)

Los canales de emergencia se seleccionarán automáticamente presionando la tecla **EMG** (7). Primera presión: canal de emergencia 1 seleccionado. Segunda presión: canal de emergencia 2 seleccionado. Tercera presión: vuelve al canal inicial. El símbolo

“**EMG**” aparece en la pantalla cuando el canal de emergencia está activo. Los canales de emergencia predeterminados son **9/AM (1)** y **19/AM (2)**.

Nota: La activación de un canal prioritario no permite el uso de la función **PA** (véase el § **PA** página 23). Si la función **BEEP DE TECLADO** está activada, un beep de error se emite.

DEFINICIÓN DEL CANAL DE EMERGENCIA (presión larga)

El canal de emergencia puede ser atribuido a cualquier canal con el modo AM o FM. Para definir un nuevo canal de emergencia:

- Apriete brevemente la tecla **EMG (7)** para seleccionar el canal de emergencia actual. “**EMG**” aparece en la pantalla.
- Apriete durante 1 segundo la tecla **EMG/STORE (7)**. **E** aparece en la pantalla y “**EMG**” parpadea.
- Con la teclas **▲/▼ (3)** de la estación o los botones **UP/DN (12)** del micrófono, escoja el nuevo canal de emergencia.
- Apriete la tecla **MODE (6)** para definir el modo de modulación (**AM, FM**) utilizado con el nuevo canal de emergencia.
- Apriete brevemente la palanca **PTT (11)** para validar y definir el nuevo canal de emergencia. Un beep de validación es emitido.

Observación: La definición de un nuevo canal de emergencia solo es posible si el canal de emergencia actual esta activo.

8) VOX ~ VOX SET

VOX (presión breve)

La función **VOX** permite emitir hablando en el micro de origen (o en el micro vox opcional) sin apretar la palanca **PTT (11)**. La utilización de un micro vox opcional conectado detrás del aparato (**E**) desactiva el micro de origen.

Apriete largamente la tecla **VOX (8)** para activar la función **VOX**. “**VOX**” aparece en la pantalla. Una nueva presión larga en la tecla **VOX (8)** desactiva la función. El icono “**VOX**” desaparece de la pantalla.

AJUSTE DEL VOX (presión prolongada)

1. Apriete durante un segundo la tecla **VOX/SET (8)** para ingresar al modo **AJUSTE DEL VOX**. “**VOX**” parpadea, el parámetro activo

con su valor aparecen en la pantalla. Hay tres parámetros para ajustar el **VOX**: Sensibilidad: **L** / Anti-Vox: **R** / Temporización: **E**.

- 2a. Utilice las teclas **▲/▼ (3)** en el panel frontal o los botones **UP/DN** del micrófono (**12**) para cambiar el valor del parámetro activo y luego apriete la tecla **F (5)** para activar el parámetro siguiente o...
- 2b. Apriete primero la tecla **F (5)** para activar otro parámetro y luego, utilice las teclas **▲/▼ (3)** en el panel frontal o los botones **UP/DN** del micrófono (**12**) para cambiar el valor del parámetro activo.
3. Cuando todos los parámetros están ajustados, apriete la palanca **PTT (11)** para validar y salir. Si la función **BEEP DE TECLADO** está activa, se emite un beep largo para confirmar el éxito de la operación (véase el § **BEEP DE TECLADO** en la página 22).
4. Si no se presiona ninguna tecla durante 10 segundos, el equipo sale automáticamente del **AJUSTE DEL VOX** sin salvar.
 - **Sensibilidad L** : ajusta la sensibilidad del micrófono (vox original o opcional) para una calidad de transmisión óptima. Nivel ajustable de **L 1** (nivel alto) a **L 9** (nivel bajo). Valor predeterminado: **L 5**.
 - **Anti-Vox R**: evita la emisión generada por el ruido ambiental. Nivel ajustable: **RF** (emite según el nivel del squelch) y de **RD** (sin antivox) a **RS** (nivel bajo). Valor predeterminado: **RF**.
 - **Temporización E**: para evitar el corte brusco de la transmisión añadiendo un retraso al final del discurso. Nivel ajustable de **E 1** (retardo corto) a **E 9** (retardo largo). Valor predeterminado: **E 1**.
El AJUSTE DEL VOX no activa automáticamente la función VOX.

9) CARGA USB

La toma **USB (9)** permite cargar un smartphone, tableta o otro dispositivo recargable de 5 V a 2.1 A.

10) TOMA DE MICRÓFONO DE 6 PINS

Está situada en el panel frontal del equipo, facilitando su integración en el tablero de su vehículo.

Ver el esquema de conexionado en la página 21.

11) PTT (Push To Talk)

Presione la palanca de emisión **PTT (8)** para hablar, **TX** aparece en la pantalla. Suéltela para recibir mensajes.

Ver § **FUNCIONES CON LA PALANCA DE EMISIÓN PTT** página 22.

TOT (Time out Timer)

Si la emisión dura más de 3 minutos, el canal y **TX** empiezan a parpadear y la emisión finaliza.

La confirmación sonora de fin de emisión es audible hasta que se deje de presionar la palanca **PTT (11)**.

12) SELECTOR DE CANALES: botones UP/DN en el micrófono

Estas teclas permiten ascender o descender de un canal. Se emite un beep sonoro en cada cambio de canal si se activa la función **BEEP DE TECLADO** (Véase el § **BEEP DE TECLADO** página 22).

Ver también § 3 página 19.

A) ALIMENTACIÓN (13,8 V / 27,6 V)

B) ANTENA (SO-239)

C) ALTAVOZ EXTERIOR (8 Ω, Ø 3,5 mm)

D) ALTAVOZ PA (8 Ω, Ø 3,5 mm)

E) MICRÓFONO VOX OPCIONAL (Ø 2,5 mm)

C) FUNCIONES AL ENCENDER LA EMISORA

5 funciones son disponibles. Para activar la función, apagar el equipo y encenderlo, manteniendo una o dos teclas apretadas.

1) ROGER BEEP (tecla ▲ de la emisora o botón UP del micrófono)

El **ROGER BEEP** emite un beep cuando se suelta la palanca del micro para dejarle la palabra a su interlocutor. Históricamente, al ser la CB un modo de comunicación "simplex", es decir que no es posible hablar y escuchar al mismo tiempo (como en el caso del teléfono por ejemplo), era usual decir "Roger" cuando se había terminado de hablar para avisar al interlocutor que ya

podía hablar. La palabra "Roger" ha sido reemplazada por un beep significativo, de ahí su nombre "**Roger Beep**".

- Encienda el equipo manteniendo apretada la tecla ▲ (**3a**) o el botón **DN (12)** del micrófono o para activar (☑) o desactivar (☒) la función **ROGER BEEP**.

- Cuando la función esta activa, "♪" aparece en la pantalla.

Observación: El **ROGER BEEP** también se escucha en el altavoz si la función **BEEP DE TECLADO** está activada. Si la función **BEEP DE TECLADO** no está activada, sólo el interlocutor puede escuchar el **ROGER BEEP**.

En modo **PA**, esta función no esta autorizada.

2) BEEP DE TECLADO (tecla ▼ de la emisora o botón DN del micrófono o)

Algunas operaciones como cambio de canales, pulsaciones en tecla, etc. son confirmadas mediante un beep sonoro. Este puede ser activado o desactivado con el siguiente procedimiento:

- Encienda el equipo manteniendo apretada la tecla ▼ (**3b**) o el botón **UP (9)** para activar (☑) o desactivar (☒) la función **BEEP DE TECLADO**.
- Cuando la función esta activa, "BP" aparece en la pantalla.

3) F - TIPO DE MICRÓFONO (tecla F)

Su THOMAS FCC AM/FM le permite usar un micrófono dinámico o electret. Para seleccionar el tipo:

- Encienda la alimentación mientras presiona la tecla **F (5)**. Se muestra el símbolo del tipo de micrófono actual **dYN** (dinámico) o **EL** (electret). Repita esta acción hasta configurar el tipo de micrófono correcto.

El micrófono **PRESIDENT** original de ó pines es de tipo electret.

4) COLOR (teclas **EMG + MODE**)

- Encender el equipo manteniendo las teclas **MODE (6)** y **EMG (7)** apretadas. El icono del color, entre los siete, parpadea: **OR** (naranja), **GR** (verde), **BL** (azul), **CY** (cian), **YE** (amarillo), **PU** (púrpura) o **CL** (azul claro).
- Utilizar las teclas ▲/▼ (**3**) de la estación o los botones **UP/DN (12)**

del micrófono para cambiar el color.

→ **Gr** → **Gr** → **bL** → **LY** → **YE** → **PU** → **CL**

- Cuando haya escogido el color, apriete durante 1 segundo la tecla **F (5)**. un beep se emite, las letras correspondiente al color se muestra en la pantalla durante 1 segundo.

5) RESET

- Encienda el dispositivo mientras mantiene presionada la tecla **EMG (7)** para restablecer la configuración predeterminada.
- "r5" parpadea en la pantalla.
- Presione la tecla **F (5)** durante 1 segundo para confirmar.

D) FUNCIONES CON LA PALANCA DE EMISIÓN PTT

4 funciones son disponibles. Para activar la función, apriete y mantenga la palanca **PTT (11)** y apriete la tecla dedicada a esta función.

1) TALKBACK (PTT + F)

La función **TALKBACK** puede ser activada o desactivada con procedimiento siguiente:

- Apriete y mantenga la palanca **PTT (11)**.
- Apriete brevemente la tecla **F (5)**. El nivel del **TALKBACK** actual parpadea 3 veces indicando que se puede ajustar este nivel. Cuando la función es activa, "TALKBACK" aparece en la pantalla.

La función **TALKBACK** permite escuchar su propia modulación en el altavoz del equipo.

2) NIVEL DEL TALKBACK (PTT + ▲/▼ de la emisora)

- En la posición **b)**, ajuste el nivel del **TALBACK** con la teclas **▲/▼ (3)** de la emisora.
- Cuando la función está activa y "TALBACK" se muestra en la pantalla, apriete y mantenga la palanca **PTT (11)**, después ajuste el nivel del **TALBACK** con las teclas **▲/▼** de la emisora. 9 niveles de **01** a **09**.

Observación: los botones **UP/DN (12)** del micrófono no permiten ajustar el volumen del **TALKBACK**.

3) PA (PTT + MODE)

- Apriete y mantenga la palanca **PTT (11)**.
- Apriete brevemente la tecla **MODE (6)** para activar o desactivar el modo **PA** (Public Address). Un altavoz de megafonía exterior se puede conectar al equipo por la toma PA.SP. del panel posterior (**D**).

Los mensajes CB recibidos o emitidos a través del micrófono se amplifican y se dirigen al altavoz externo del **PA**. El volumen del **PA** es ajustable por el botón **VOL (1)**.

Cuando el modo **PA** esta activo, "PA" y el modo de modulación (**AM, FM** o **FM UK**) parpadean alternativamente en la pantalla. Cuando la palanca de emisión **PTT (11)** esta apretada, "PA" se muestra en lugar del canal activo. Cuando se suelta la palanca **PTT (11)** el canal activo vuelve a ser mostrado en la pantalla.

4) NOISE GATE NG (PTT + VOX)

- Apriete y mantenga la palanca **PTT (11)**.
- Apriete brevemente la tecla **VOX (8)** para activar (**NG**) o desactivar (**OFF**) la función. "NG" aparece en la pantalla cuando la función está activa.

Noise Gate: Previene la amplificación del ruido de fondo. Esto da como resultado niveles de señal optimizados.

E) CARACTERÍSTICAS TÉCNICAS

1) GENERALES

- Canales : 40
- Modos de modulación : AM/FM
- Gama de frecuencias : de 26,965 MHz a 27,405 MHz
- Impedancia de la antena : 50 ohms
- Tensión de la alimentación : 13,8 V / 27,6 V
- Dimensiones (en mm) : 125 (L) x 180 (P) x 45 (A)
- Peso : ≈ 0,9 kg.
- Accesorios incluidos : 1 micrófono UP/DOWN y su soporte,

- Filtro : 1 soporte de montaje y tornillos de fijación, cable de alimentación con fusible.
- ANL (Automatic Noise Limiter) integrado

2) EMISIÓN

- Tolerancia de frecuencia : +/- 200 Hz
- Potencia portadora : 4 W AM / 4 W FM
- Emisiones parásitas : inferior a 4 nW (- 54 dBm)
- Respuesta en frecuencia : 300 Hz a 3 KHz en AM/FM
- Potencia emisión en el canal adyacente : inferior a 20 μ W
- Sensibilidad del micrófono : 7 mV
- Consumo máximo : 1,7 A a 13,8 V / 0,85 A a 27,6 V
- Distorsión máx. de la señal modulada : 3 %

3) RECEPCIÓN

- Sensibilidad máx. a 20dB sinad : 0,5 μ V - 113 dBm AM / 0,35 μ V - 116 dBm FM
- Respuesta en frecuencia : 300 Hz a 3 KHz
- Sensibilidad del canal adyacente : 60 dB
- Potencia audio máxima : 2,5 W
- Sensibilidad del silenciador (squelch) : mini 0,2 μ V - 120 dBm máx. 1 mV - 47 dBm
- Tasa de rechazo frecuencia imagen : 70 dB
- Tasa de rechazo frecuencia intermedia : 70 dB
- Consumo : 160 ~ 500 (13,8 V) 100 ~ 250 mA (27,6 V)

F) GUÍA DE PROBLEMAS

1) LA EMISORA NO EMITE O VUESTRA EMISIÓN ES DE MALA CALIDAD

- Verificar que la antena esté correctamente conectada y que la

- ROE esté bien regulada.
- Verificar que el micro esté bien instalado.

2) LA EMISORA NO RECIBE O VUESTRA RECEPCIÓN ES DE MALA CALIDAD

- Verificar que el nivel del silenciador (squelch) esté correctamente regulado.
- Verificar que el botón de volumen esté regulado convenientemente.
- Verificar que la antena esté correctamente instalada y la ROE bien regulada.
- Verificar si Vd. está utilizando el mismo tipo de modulación que su interlocutor.

3) LA EMISORA NO SE ILUMINA

- Verificar el alimentador.
- Verificar que no haya una inversión de polaridad en la alimentación.
- Verificar el fusible.

G) ¿ COMO EMITIR O RECIBIR UN MENSAJE ?

Ahora que ha leído la nota de aviso, asegure que su emisora esté lista para funcionar (antena conectada).

Elija el canal (19 o 27).

Elija el modo (AM, FM) teniendo en cuenta que debe ser el mismo que el de su interlocutor.

Puede entonces apretar sobre la palanca de su micrófono, y lanzar el mensaje "atención estaciones, ensayo de emisora", lo que permite verificar la claridad y la potencia de su señal y debe provocar una contestación de tipo: "fuerte y claro la estación". Suelte la palanca y espere una contestación. Si utiliza un canal de llamada (19 o 27), y la comunicación se establece, es preciso elegir otro canal disponible para no obstruir el canal de llamada.

H) LÉXICO

Durante la utilización de su emisora, descubrirán un lenguaje particular empleado por algunos cebeistas. Para ayudarles a entenderlo mejor, le damos, en el léxico y el código «Q», un recapitulativo de las palabras utilizadas. Sin embargo, es evidente que un lenguaje claro y preciso facilitará el contacto entre los aficionados de radiocomunicación. Por eso, las palabras mencionadas a continuación son solo indicativas, y no deben ser utilizadas de manera formal.

ALFABETO FONÉTICO INTERNACIONAL

A Alpha	H Hotel	O Oscar	V Victor
B Bravo	I India	P Papa	W Whiskey
C Charlie	J Juliett	Q Quebec	X X-ray
D Delta	K Kilo	R Romeo	Y Yankee
E Echo	L Lima	S Sierra	Z Zulu
F Foxtrott	M Mike	T Tango	
G Golf	N November	U Uniform	

TERMINOS DEL ARGOT CEBEISTA

A.L.	: Amplificador lineal
ARMONICOS	: Hijos
AVE MARIA	: Amplitud de modulación
BARBAS	: Interferencias de canales próximos
BARRA MOVIL	: Estación de movimiento
BASE	: Estación fija
BIGOTADA	: Reunión de aficionados
BREAK	: Solicitar transmisión o entrada
BREAKER	: El que interrumpe
CAJA TONTA	: Televisión
CHICHARRA	: Amplificador lineal
CORTINERO	: Radioescucha
CRUCE DE ANTENAS	: Comunicación en CB
DOS METROS HORIZONTALES	: La cama
ENCENDER FILAMENTOS	: Encender el equipo de CB
ESPIRAS	: Edad

FOTOCOPIA	: Hermano/hermana
FRECUENCIA	: Megahertzios que corresponden al canal
KAS	: Pesetas expresadas generalmente en mil
LABORO	: Trabajo, ocupación
LADRILLO	: Emisora de 27 MHz
LINEA DE BAJA O LINEA DE 500	: Teléfono
MODULAR	: Hablar emitiendo
O.K.	: Conforme, de acuerdo
OKAPA	: Conforme
P.A.	: Megafonía
PASTILLA	: Micrófono
P.O. BOX	: Apartado de Correos
PRIMERISIMOS	: Padres
PUNTITO	: Lugar de reunión
PUNTOS VERDES	: Guardia Civil
E.	: Recibido
RX.	: Receptor
SAXO	: Marido, novia
SECRETARIA	: Amplificador lineal
TIA VINAGRE O TIA VIRGINIA	: Televisión
TRASMATA	: Radioescucha
TX	: Transmisor
VERTICAL	: Encontrarse en persona
VIA BAJA	: Teléfono
VITAMINARSE	: Comer, cenar
WISKIES	: Watios
ZAPATILLA	: Amplificador lineal
33	: Saludos amisosos
51	: Abrazos
55	: Mucho éxito
73	: Saludos
88	: Besos y cariños

CÓDIGO «Q»

QRA : Nombre de estación u operador

- QRB : Distancia aproximada en línea recta entre dos estaciones
- QRG : Frecuencia exacta
- QRI : Tonalidad de una emisión valorada de 1 a 3
- QRK : Legibilidad, comprensibilidad de una señal.
En CB, Radio valorado de 1 a 5
- QRL : Estar ocupado, trabajando
- QRM : Interferencia, valorado de 1 a 5
- QRO : Aumentar la potencia del emisor
- QRP : Disminuir la potencia del emisor
- QRT : Cesar la emisión
- QRV : Estar preparado, dispuesto
- QRX : Cita para transmitir. En CB, «Manténgase a la Escucha»
- QRY : Turno para transmitir
- QRZ : Nombre de la estación que llama. En CB, «Quedar a la escucha»
- QSA : Fuerza de una señal. En CB Santiago. Valorado de 1 a 9
- QSB : Variaciones de la fuerza de señal.
Desvanecimiento. Fading. Valorado de 1 a 5
- QSL : Acuse de recibo. Tarjeta confirmando comunicación
- QSO : Solicitar comunicación. En CB,
además, comunicación directa entre dos o más estaciones
- QSP : Retransmisión a través de estación puente
- QSY : Pasar a transmitir en otra frecuencia o canal
- QTC : Mensaje a transmitir
- QTH : Localización geográfica de la estación
- QTR : Hora exacta
- QUT : Localización geográfica de accidente o siniestro

NOTA: *El Código Q es la fusión de las dos definiciones, como pregunta y como respuesta, es una sola definición aceptada en CB.*

CONDICIONES GENERALES DE GARANTÍA

Este aparato tiene una garantía de **2 años** de piezas y mano de obra en el país de compra, contra cualquier vicio o defecto de fabricación que sea reconocido por nuestro departamento técnico. El laboratorio del SPV de PRESIDENT se reserva el derecho de no aplicar la garantía si una avería ha sido provocada por una antena no distribuida por la marca PRESIDENT. Una extensión de garantía de **3 años** se aplicará sistemáticamente, por la compra simultánea de una emisora y de una antena de la marca PRESIDENT, aumentando la garantía total a **5 años**. Para ser válido, el registro de la garantía debe ser completado y enviado dentro de los 30 días siguientes a la compra para PRESIDENT al www.president-electronics.us/warranty-registration. También puede acceder a esta página de registro de garantía utilizando su teléfono inteligente para leer (la aplicación debe estar disponible) el código QR. Usted recibirá un correo electrónico de confirmación si el registro se ha realizado correctamente. Le recomendamos que guarde una copia de este correo electrónico. Cualquier reparación en garantía será gratis y los gastos de envío de vuelta correrán a cargo de PRESIDENT. La prueba de compra y factura de venta deben ser obligatoriamente adjuntas al aparato cuando se envíe para su reparación. Las fechas inscritas en el resguardo de garantía y la prueba de compra deben concordar. En caso de que la unidad está fuera de garantía, se le cobrará la reparación y devolución del aparato.

Ninguna pieza de recambio será enviada, por nuestro departamento técnico, en base a la garantía. Asegúrese de haber leído el manual antes de la instalación de la unidad.

La garantía sólo es válida en el país de compra.

Esta garantía no cubre:

- Los daños causados por accidente, como golpes, caídas, incendios, embalaje inadecuado, negligencia o mantenimiento inadecuado.
- El desgaste normal de un producto (transistores de potencia, micrófonos, luces, fusibles), el uso indebido (incluyendo la antena utilizada, demasiada ROE, polaridad inversa, malas conexiones, sobre-tensión, etc.), y si no se siguen la características de instalación y el uso.
- La garantía no puede extenderse debido a la falta de disponibilidad del dispositivo, mientras está siendo reparado en el SPV PRESIDENT, ni por un cambio de uno o más componentes o piezas de repuesto.
- Todos los productos modificados o reparados por el cliente o cualquier otra persona no autorizada expresamente por PRESIDENT.

Si Ud. observa defectos de funcionamiento:

- Compruebe la alimentación de su aparato y el estado del fusible.
- Compruebe que la antena y el micrófono están conectados correctamente.
- Compruebe que el nivel des squelch está configurado correctamente y la con-

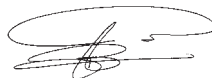
figuración programada es la correcta.

- En caso de un fallo de funcionamiento real, por favor póngase en contacto con su distribuidor en primer lugar, que decidirá qué medidas tomar.

En caso de una intervención no cubierta por la garantía o fuera del plazo, usted tendrá posibilidad de hacer inspeccionar o reparar su producto. Se hará un presupuesto previo por escrito para su posterior aceptación.

Ud. ha confiado en la experiencia y calidad de PRESIDENT y se lo agradecemos. Para que quede totalmente satisfecho de su compra, aconsejamos leer atentamente este manual.

La Dirección Técnica
y
El Departamento de Calidad



Registro de Garantía





WARNING: This product can expose you to chemicals including Lead, which is known to the State of California to cause cancer and birth defects or other reproductive harm. For more information go to www.P65Warnings.ca.gov.

AVERTISSEMENT : Ce produit peut vous exposer à des agents chimiques, y compris le plomb, identifiés par l'État de Californie comme pouvant causer le cancer et des malformations congénitales ou autres effets nocifs sur la reproduction. Pour de plus amples informations, prière de consulter le site www.P65Warnings.ca.gov.

ATTENTION !

*Avant toute utilisation, prenez garde de ne jamais émettre sans avoir branché l'antenne (connecteur **B** situé sur la face arrière de l'appareil), ni réglé le TOS (Taux d'Ondes Stationnaires)! Sinon, vous risquez de détruire l'amplificateur de puissance, ce qui n'est pas couvert par la garantie.*

La garantie de ce poste est valable uniquement dans le pays d'achat.

Bienvenue dans le monde des émetteurs-récepteurs CB de la dernière génération. Cette nouvelle gamme de postes vous fait accéder à la communication électronique la plus performante. Grâce à l'utilisation de technologies de pointe garantissant des qualités sans précédent, votre PRESIDENT THOMAS FCC AM/FM est un nouveau jalon dans la convivialité et la solution par excellence pour le pro de la CB le plus exigeant. Pour tirer le meilleur parti de toutes ses possibilités, nous vous conseillons de lire attentivement ce mode d'emploi avant d'installer et d'utiliser votre CB PRESIDENT THOMAS FCC AM/FM.

A) INSTALLATION

1) CHOIX DE L'EMPLACEMENT, MONTAGE DU POSTE MOBILE

- Choisissez l'emplacement le plus approprié à une utilisation simple et pratique de votre poste mobile.
- Veillez à ce qu'il ne gêne pas le conducteur ni les passagers du véhicule.
- Prévoyez le passage et la protection des différents câbles, (alimentation, antenne, accessoires...) afin qu'ils ne viennent en aucun cas perturber la conduite du véhicule.

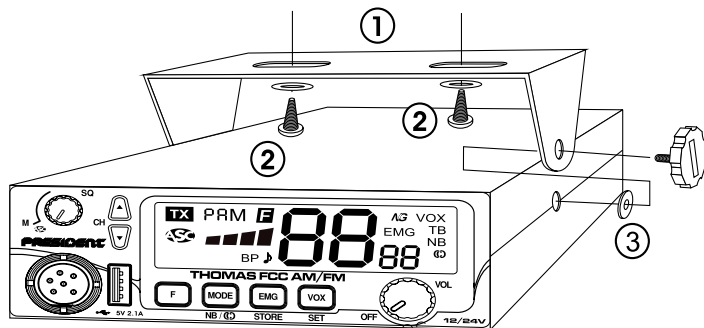
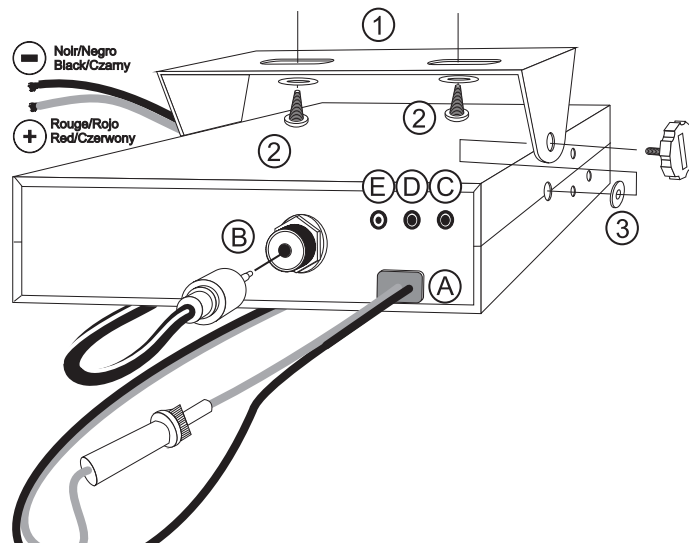


SCHÉMA GÉNÉRAL DE MONTAGE



- Utilisez pour le montage le berceau (1) livré avec l'appareil, fixez-le solidement à l'aide des vis auto taraudeuse (2) fournies (diamètre de perçage 3,2 mm). Prenez garde de ne pas endommager le système électrique du véhicule lors du perçage.
 - Lors du montage, n'oubliez pas d'insérer les rondelles de caoutchouc (3) entre le poste et son support. Celles-ci jouent en effet un rôle «d'amortisseur» et permettent une orientation et un serrage en douceur du poste.
 - Choisissez un emplacement pour le support du micro et prévoyez le passage de son cordon.
- **NOTA** : Votre poste mobile possédant une prise micro en façade peut être encastré dans le tableau de bord. Dans ce cas, il est recommandé d'y adjoindre un haut-parleur externe pour une meilleure écoute des communications (connecteur EXT.SP situé sur la face arrière de l'appareil : C). Renseignez-vous auprès de votre revendeur le plus proche pour le montage sur votre appareil.

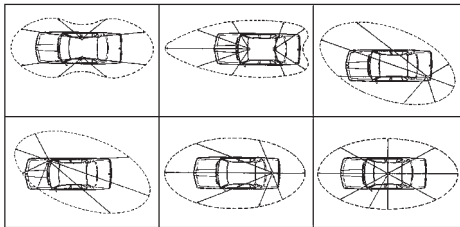
2) INSTALLATION DE L'ANTENNE

a) Choix de l'antenne

- En CB, plus une antenne est grande, meilleur est son rendement. Votre Point Conseil saura orienter votre choix.

b) Antenne mobile

- Il faut l'installer à un endroit du véhicule où il y a un maximum de surface métallique (plan de masse), en s'éloignant des montants du pare-brise et de la lunette arrière.
- Dans le cas où une antenne radiotéléphone est déjà installée, l'antenne CB doit être au-dessus de celle-ci.
- *Il existe 2 types d'antennes : les pré-réglées et les réglables.*
- Les pré-réglées s'utilisent de préférence avec un bon plan de masse (pavillon de toit ou malle arrière).
- Les réglables offrent une plage d'utilisation beaucoup plus large et permettent de tirer parti de plans de masse moins importants (voir § 5 page 31 **RÉGLAGE DU TOS**).
- Pour une antenne à fixation par perçage, il est nécessaire d'avoir un excellent contact antenne/plan de masse ; pour cela, grattez légèrement la tôle au niveau de la vis et de l'étoile de serrage.
- Lors du passage du câble coaxial, prenez garde de ne pas le pincer ou l'écraser (risque de rupture ou de court-circuit).
- Branchez l'antenne (B).



LOBE DE RAYONNEMENT

c) Antenne fixe

- Veillez à ce qu'elle soit dégagée au maximum. En cas de fixation sur un mât, il faudra éventuellement haubaner conformément aux normes en vigueur (se renseigner auprès d'un professionnel). Les

antennes et accessoires que nous distribuons sont spécialement conçus pour un rendement optimal de chaque appareil de la gamme.

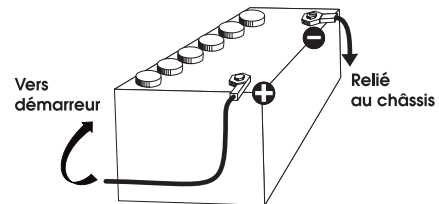
3) CONNEXION DE L'ALIMENTATION

Votre PRESIDENT THOMAS FCC AM/FM est muni d'une protection contre les inversions de polarité. Néanmoins, avant tout branchement, vérifiez vos connexions.

Votre poste doit être alimenté par une source de courant continu de 12 ou 24 Volts (A). À l'heure actuelle, la plupart des voitures et des camions fonctionnent avec une mise à la masse négative. On peut s'en assurer en vérifiant que la borne (-) de la batterie soit bien connectée au bloc moteur ou au châssis. Dans le cas contraire, consultez votre revendeur.

- Assurez-vous que l'alimentation soit bien de 12 ou 24 Volts.
- Repérez les bornes (+) et (-) de la batterie (+ = rouge, - = noir). Dans le cas où il serait nécessaire de rallonger le cordon d'alimentation, utilisez un câble de section équivalente ou supérieure.
- Il est nécessaire de se connecter sur un (+) et un (-) permanents. Nous vous conseillons donc de brancher directement le cordon d'alimentation sur la batterie (le branchement sur le cordon de l'autoradio ou sur d'autres parties du circuit électrique pouvant dans certains cas favoriser la réception de signaux parasites).
- Branchez le fil rouge (+) à la borne positive de la batterie et le fil noir (-) à la borne négative de la batterie.
- Branchez le cordon d'alimentation au poste.

ATTENTION : Ne jamais remplacer le fusible d'origine par un modèle d'une valeur différente !



4) OPÉRATIONS DE BASE À EFFECTUER AVANT LA PREMIÈRE UTILISATION, SANS PASSER EN ÉMISSION (c'est-à-dire sans appuyer sur la pédale du micro)

- Branchez le micro,
- Vérifiez le branchement de l'antenne,
- Mise en marche de l'appareil : tourner le bouton du volume **VOL** (1) dans le sens des aiguilles d'une montre,
- Tournez le bouton du squelch **SQ** (4) au minimum (dans le sens inverse des aiguilles d'une montre) en position **M**,
- Réglez le volume à un niveau convenable,
- Amenez le poste sur le canal 20 soit à l'aide des touches ▲/▼ de l'appareil (3) ou des boutons **UP/DN** du micro (12).

5) RÉGLAGE DU TOS (Taux d'ondes stationnaires)

ATTENTION : Opération à effectuer impérativement lors de la première utilisation de l'appareil ou lors d'un changement d'antenne. Ce réglage doit être fait dans un endroit dégagé, à l'air libre.

* Réglage avec TOS-mètre externe (type TOS-1 PRESIDENT)

a) Branchement du Tos-mètre

- Brancher le Tos-mètre entre le poste et l'antenne, le plus près possible du poste (utiliser pour cela un câble de (40 cm) maximum type CA-2C PRESIDENT).

b) Réglage du Tos

- Amener le poste sur le canal 20 en AM.
- Positionner le commutateur du Tos-mètre en position **FWD** (calibrage).
- Appuyer sur la pédale **PTT** (11) pour passer en émission.
- Amener l'aiguille sur l'index ▼ à l'aide du bouton de calibrage.
- Basculer le commutateur en position **REF** (lecture de la valeur du TOS). La valeur lue sur le vu-mètre doit être très proche de 1. Dans le cas contraire, rajuster votre antenne jusqu'à obtention d'une valeur aussi proche que possible de 1 (une valeur de TOS comprise entre 1 et 1,8 est acceptable).
- Il est nécessaire de recalibrer le Tos-mètre, entre chaque opération de réglage de l'antenne.

Remarque : Afin d'éviter les pertes et atténuations dans les câbles

de connexion entre la radio et ses accessoires, PRESIDENT recommande une longueur de câble inférieure à 3 m.

Maintenant, votre poste est prêt à fonctionner.

B) UTILISATION

1) MARCHÉ/ARRÊT - VOLUME

- Pour allumer votre poste, tourner le bouton **VOL** (1) dans le sens des aiguilles d'une montre. Si la fonction **BIP DE TOUCHES** est activée, 4 notes sont émises à la mise en marche. Voir le § **BIP DE TOUCHES** page 34.
Voir le § **FONCTIONS À L'ALLUMAGE DU POSTE** page 34.
- Pour augmenter le volume sonore, continuer à tourner ce bouton dans le sens des aiguilles d'une montre.

2) AFFICHEUR

Il permet de visualiser l'ensemble des fonctions :



Le BARGRAPH visualise le niveau de réception et le niveau de puissance émise.

3) SÉLECTEUR DE CANAUX : touches ▲/▼ ~ SCAN

SÉLECTEUR DE CANAUX (pression brève)

Ces touches permettent d'effectuer une montée ou une descente des canaux. Un bip est émis à chaque changement de canal si la fonction **BIP DE TOUCHES** est activée. Voir fonction **BIP DE TOUCHES** page 34.

Voir aussi § 12 page 34.

SCAN (pression très longue)

Scan des canaux CB

Pour activer la fonction **SCAN**, maintenir appuyée la touche ▲ (3a) ou ▼ (3b) jusqu'à ce qu'une rapide boucle de tous les canaux soit effectuée. Si la fonction **BIP DE TOUCHES** est activée (voir fonction **BIP DE TOUCHES** page 34) un double bip est émis. Le point entre les deux digits des canaux clignote dans l'afficheur. Utiliser la touche ▲ (3a) pour scanner dans le sens croissant et ▼ (3b) pour scanner dans le sens décroissant. Pendant le scan, presser l'une ou l'autre des ces touches pour changer de sens. Le scan est interrompu dès qu'il rencontre un canal actif. Il reprend automatiquement 3 secondes après la transmission ou si aucune touche n'est pressée pendant 3 secondes.

Pour désactiver la fonction **SCAN des canaux CB** presser n'importe quelle touche (5, 6, 7 ou 8) ou PTT (11). Le point entre les deux digits des canaux disparaît dans l'afficheur.

4) ASC (Automatic Squelch Control) / SQUELCH

Cette fonction permet de supprimer les bruits de fond indésirables en l'absence de communication. Le squelch ne joue ni sur le volume sonore ni sur la puissance d'émission, mais il permet d'améliorer considérablement le confort d'écoute.

a) ASC : SQUELCH A RÉGLAGE AUTOMATIQUE

Brevet mondial, exclusivité PRESIDENT

Tourner le bouton **SQ** (4) dans le sens inverse des aiguilles d'une montre. **ASC** apparaît. Aucun réglage manuel répétitif et optimisation permanente entre la sensibilité et le confort d'écoute lorsque l'ASC est actif (à fond en sens inverse des aiguilles d'une montre). Elle est débrayable par rotation du bouton **SQ** (4) dans le sens des aiguilles d'une montre. Dans ce cas le réglage du squelch redevient manuel. **ASC** disparaît de l'afficheur.

b) SQUELCH MANUEL

Tournez le bouton du squelch **SQ** (4) dans le sens des aiguilles d'une montre jusqu'au point exact où tout bruit de fond disparaît. C'est un réglage à effectuer avec précision, car mis en position maximum dans le sens des aiguilles d'une montre, seuls les signaux les plus forts peuvent être perçus.

5) F - TYPE DE MICROPHONE

Voir le § page 34.

6) MODE ~ NB & COMPANDER (C)

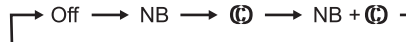
MODE (pression brève)

La touche **MODE** (6) permet de sélectionner le mode de modulation **AM** ou **FM**. Votre mode de modulation doit correspondre à celui de votre interlocuteur. L'afficheur indique le mode correspondant. **Modulation d'Amplitude/ AM** : Communications sur terrain avec reliefs et obstacle sur moyenne distance (mode le plus utilisé en France).

Modulation de Fréquence/ FM : Communication rapprochée sur terrain plat et dégagé.

NB & COMPANDER (C) (pression longue)

Une pression longue sur la touche **NB/ (C)** (6) permet de changer l'état des filtres :



Noise Blanker. Ce filtre permet de réduire les bruits de fond et certains parasites en réception. Quand le filtre **NB** est actif «**NB**» apparaît dans l'afficheur.

COMPANDER (C) : ce filtre commutable permet d'améliorer le mode de réception.

7) CANAL PRIORITAIRE ~ REDÉFINITION DU CANAL PRIORITAIRE

CANAL PRIORITAIRE (EMG) (pression brève)

Les canaux prioritaires seront automatiquement sélectionnés en appuyant sur la touche **EMG** (7). Premier appui : le canal prioritaire **1** est sélectionné. Deuxième appui : le canal prioritaire **2** est sélectionné. Troisième appui : retour au canal initial. Le symbole «**EMG**» apparaît sur l'afficheur lorsque le canal prioritaire est actif. Les canaux prioritaires par défaut sont le **9/AM** (1) et le **19/AM** (2).

Remarque: L'activation d'un canal prioritaire ne permet pas l'utilisation de la fonction **PA** (voir § **PA** page 35). Si la fonction **BIP DE TOUCHES** est activée, un bip d'erreur se fait entendre.

REDÉFINITION DU CANAL PRIORITAIRE (pression longue)

Le canal prioritaire peut être affecté à n'importe quel canal avec le mode AM ou FM. Pour définir un nouveau canal prioritaire :

- Appuyer brièvement sur la touche **EMG (7)** pour appeler le canal prioritaire actuel. «**EMG**» apparaît dans l'afficheur.
- Appuyer durant 1 seconde sur la touche **EMG/STORE (7)**. **E** apparaît dans l'afficheur et «**EMG**» clignote.
- À l'aide des touches **▲/▼ (3)** de l'appareil ou des boutons **UP/DN (12)** du micro, choisir le nouveau canal prioritaire.
- Appuyer sur la touche **MODE (6)** pour définir le mode de modulation (**AM, FM**) utilisé avec ce nouveau canal prioritaire.
- Appuyer brièvement sur la pédale **PTT (11)** pour valider et définir le nouveau canal prioritaire. Un bip de validation est émis.

Remarque : redéfinir le canal prioritaire n'est possible que si le canal prioritaire actuel est actif.

8) VOX ~ VOX SET

VOX (pression brève)

La fonction **VOX** permet de transmettre en parlant dans le microphone d'origine (ou dans le microphone vox optionnel) sans appuyer sur la pédale **PTT (11)**. L'utilisation d'un microphone vox optionnel connecté à l'arrière du poste - prise **VOX (E)** - désactive le microphone d'origine.

Appuyer sur la touche **VOX (8)** afin d'activer la fonction **VOX**. «**VOX**» s'affiche. Appuyer à nouveau sur la touche **VOX (8)** pour désactiver la fonction **VOX**. «**VOX**» disparaît de l'afficheur.

VOX SET (pression longue)

1. Appuyer durant une seconde sur la touche **VOX/SET (8)** pour entrer dans le mode **AJUSTEMENT DU VOX**. «**VOX**» clignote, le paramètre actif ainsi que sa valeur apparaissent dans l'afficheur. Trois paramètres permettent d'ajuster le **VOX** : La Sensibilité : **L /**

l'Anti-Vox : **R /** La Temporisation : **L**.

- 2a. Utiliser les touches **▲/▼ (3)** en façade ou les touches **UP/DN (12)** du microphone pour modifier la valeur du paramètre affiché, puis appuyer sur la touche **F (5)** pour afficher le paramètre suivant ou...
- 2b. Appuyer d'abord sur la touche **F (5)** pour afficher un autre paramètre, puis utiliser les touches **▲/▼ (3)** en façade ou les touches **UP/DN (12)** du microphone pour modifier la valeur du paramètre affiché.
3. Une fois tous les ajustements effectués, appuyer sur la Pédale **PTT (11)** pour valider et sortir. Si la fonction **BIP DE TOUCHES** est active, un long bip est émis pour confirmer le succès de l'opération (voir le § **BIP DE TOUCHES** page 34).
4. Si aucune touche n'est pressée durant 10 secondes, le poste sort automatiquement du mode **AJUSTEMENT DU VOX** sans enregistrer.
 - **Sensibilité L** : permet de régler la sensibilité du microphone (original ou vox optionnel) pour une qualité de transmission optimum. Niveau réglable de **L 1** (niveau haut) à **L 9** (niveau bas). Valeur par défaut : **L 5**.
 - **Anti-Vox R** : permet d'empêcher l'émission générée par les bruits ambiants. Niveau réglable : **RF** (émet en fonction du niveau du squelch) et de **R 0** (sans anti-vox) à **R 9** (niveau bas). Valeur par défaut : **RF**.
 - **Temporisation L** : permet d'éviter la coupure «brutale» de la transmission en rajoutant une temporisation à la fin de la parole. Niveau réglable de **L 1** (délai court) à **L 9** (délai long). Valeur par défaut : **L 1**.

L'AJUSTEMENT DU VOX n'active pas automatiquement la fonction VOX.

9) PRISE DE CHARGE USB

La prise **USB (9)** permet de recharger un smartphone, une tablette ou tout autre appareil rechargeable 5 V - 2,1 A.

10) PRISE MICRO 6 BROCHES

Elle se situe en façade de votre appareil et facilite ainsi son intégration à bord de votre véhicule.

Voir schéma de branchement en page 40.

11) PTT (Push To Talk)

Pédale d'émission, appuyer pour parler, **TX** s'affiche. Relâcher pour recevoir un message.

Voir **FONCTIONS AVEC LA PÉDALE D'ÉMISSION PTT** page 35.

TOT (Time Out Timer)

Si la touche **PTT (11)** est appuyée pendant plus de 3 minutes, l'afficheur clignote et l'émission se termine.

Un bip est émis jusqu'à ce que la touche **PTT (11)** soit relâchée.

12) SÉLECTEUR DE CANAUX : Boutons UP/DN sur le micro

Ces touches permettent d'effectuer une montée ou une descente des canaux. Un bip est émis à chaque changement de canal si la fonction **BIP DE TOUCHES** est activée. Voir fonction **BIP DE TOUCHES** page 34.

Voir aussi § 3 page 31.

A) ALIMENTATION (13,8 V / 27,6 V)

B) PRISE D'ANTENNE (SO-239)

C) PRISE POUR HAUT-PARLEUR EXTÉRIEUR (8 Ω, Ø 3,5 mm)

D) PRISE POUR HAUT-PARLEUR PA EXTÉRIEUR (8 Ω, Ø 3,5 mm)

E) PRISE POUR MICROPHONE VOX OPTIONNEL (Ø 2,5 mm)

C) FONCTIONS À L'ALLUMAGE DU POSTE

5 fonctions supplémentaires sont disponibles. Pour activer la fonction, éteindre le poste, rallumer le poste en maintenant une ou deux touches appuyées.

1) ROGER BEEP (touche ▲ sur l'appareil ou bouton **UP** du micro)

Le **ROGER BEEP** est émis quand la pédale d'émission **PTT (11)** est relâchée afin de prévenir votre interlocuteur que vous avez terminé et lui laisser la parole. Historiquement, la CB étant un mode de

communication «simplex», c'est-à-dire qu'il n'est pas possible de parler et d'écouter en même temps (comme c'est le cas pour le téléphone par exemple), il était d'usage de dire «Roger» une fois que l'on avait fini de parler afin de prévenir son correspondant qu'il pouvait parler à son tour. Le mot «Roger» a été remplacé par un bip significatif, d'où son nom "Roger Beep".

- Allumer l'appareil en maintenant la touche ▲ (**3a**) ou le bouton **UP (12)** appuyée pour activer (☑) ou désactiver (☐) la fonction **ROGER BEEP**.

- Quand la fonction est active, «**♪**» apparaît dans l'afficheur.

Remarque : Le **ROGER BEEP** est également entendu dans le haut-parleur si la fonction **BIP DE TOUCHES** est activée. Si la fonction **BIP DE TOUCHES** n'est pas activée, seul le correspondant peut entendre le **ROGER BEEP**.

En mode **PA** cette fonction n'est pas autorisée.

2) BIP DE TOUCHES (touche ▼ sur l'appareil ou bouton **DN** du micro)

Certaines opérations comme le changement de canal, l'appui sur les touches, etc. sont confirmées par un bip.

Ce bip peut être activé ou désactivé de la manière suivante :

- Allumer l'appareil en maintenant la touche ▼ (**3b**) ou le bouton **DN (12)** appuyée pour activer (☑) ou désactiver (☐) la fonction **BIP DE TOUCHES**.

- Quand la fonction est active, «**BP**» apparaît dans l'afficheur.

3) F - TYPE DE MICROPHONE (touche **F**)

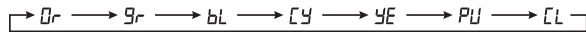
Votre THOMAS FCC AM/FM vous permet d'utiliser un microphone de type dynamique ou électret. Pour sélectionner le type :

- Allumer l'appareil tout en maintenant appuyée la touche **NB (5)**. Le symbole affiché indique le type de microphone **d'4n#** (dynamique) ou **ÉLEC** (électret). Répéter cette procédure jusqu'à l'affichage du type de microphone souhaité.

Le micro original 6 broches **PRESIDENT** est une micro électret.

4) COULEUR (touches **EMG + MODE**)

- Allumer l'appareil en maintenant appuyées les touches **MODE (6)** et **EMG (7)**. Le symbole de la couleur actuelle, parmi les sept, clignote : **Or** (orange), **Ver** (vert), **Bl** (bleu), **CY** (cyan), **YE** (jaune), **PU** (violet) ou **CL** (bleu clair).
- Utiliser les touches **▲/▼ (3)** de l'appareil ou les boutons **UP/DN (12)** du micro pour changer la couleur.



- Quand la couleur est choisie, appuyez 1 seconde sur la touche **F (5)**. Un bip est émis, les lettres de la couleur s'affichent en continu durant 1 seconde.

5) RESET

- Allumer l'appareil en maintenant la touche **EMG (7)** appuyée pour réinitialiser le poste avec les paramètres d'usine.
- «**r5**» clignote dans l'afficheur.
- Appuyer durant 1 seconde sur la touche **F (5)** pour valider.

D) FONCTIONS AVEC LA PÉDALE D'ÉMISSION PTT

4 fonctions supplémentaires sont disponibles. Pour activer la fonction, appuyer et maintenir appuyée la pédale d'émission **PTT (11)** puis, appuyer sur la touche dédiée à cette fonction. Répéter la même opération pour désactiver la fonction.

1) TALKBACK (PTT + F)

La fonction **TALKBACK** peut être activée ou désactivée en suivant la procédure suivante :

- Appuyer et maintenir appuyée la pédale d'émission **PTT (11)**.
- Appuyer brièvement sur la touche **F (5)**. Le niveau du **TALKBACK** actuel clignote 3 fois indiquant que vous pouvez régler ce niveau. Quand la fonction est active, «**TALKBACK**» apparaît dans l'afficheur. Cette fonction permet d'entendre votre propre modulation dans le haut-parleur de la CB.

2) NIVEAU DU TALKBACK (PTT + ▲/▼ sur l'appareil)

- À l'étape **b)**, ajuster le niveau du **TALKBACK** à l'aide des touches

▲/▼ (3).

- Quand la fonction est active et que «**TALBACK**» est affiché, appuyer et maintenir appuyée la pédale d'émission **PTT (11)** puis ajuster le niveau du **TALKBACK** à l'aide des touches **▲/▼ (3)**. 9 niveaux de **0** à **9**.

Remarque : Les boutons **UP/DN** du micro **(12)** ne permettent pas de régler le volume du **TALKBACK**

3) PA (PTT + MODE)

- Appuyer et maintenir appuyée la pédale d'émission **PTT (11)**.
- Appuyer brièvement sur la touche **MODE (6)** pour activer ou désactiver le mode **PA** (Public Address). Un haut-parleur de sonorisation extérieure peut être connecté sur le poste par une prise jack située sur le panneau arrière PA.SP. **(D)**.

Les messages CB reçus ou émis via le microphone seront dirigés et amplifiés vers le haut-parleur externe du **PA**. Le bouton du volume **VOL (1)** permet de régler le niveau de volume du **PA**.

Quand le mode **PA** est actif, «**PA**» et le mode de modulation utilisé (**AM**, **FM** ou **FM UK**) clignotent alternativement dans l'afficheur. Quand la pédale d'émission **PTT (11)** est appuyée, «**PA**» s'affiche à la place du canal actif. Le canal actif s'affiche à nouveau dès que la pédale **PTT (11)** est relâchée.

4) NOISE GATE **NG** (PTT + VOX)

- Appuyer et maintenir appuyée la pédale d'émission **PTT (11)**.
- Appuyer brièvement sur la touche **vox (8)** pour activer (**ON**) ou désactiver (**OFF**) la fonction. «**NG**» s'affiche quand la fonction est active.

Noise Gate : Empêche l'amplification du bruit de fond. Il en résulte des niveaux de signal optimisés.

E) CARACTÉRISTIQUES TECHNIQUES

1) GÉNÉRALES

- Canaux : 40
- Modes de modulation : AM/FM

- Gamme de fréquence : de 26.965 MHz à 27.405 MHz
- Impédance d'antenne : 50 ohms
- Tension d'alimentation : 13,8V / 27,6 V
- Dimensions (en mm) : 125 (L) x 180 (P) x 45 (H)
- Poids : \approx 0,9 kg
- Accessoires inclus : 1 microphone Electret et son support, 1 berceau, vis de fixation
- Filtre : ANL (Automatic Noise Limiter) intégré

2) ÉMISSION

- Tolérance de fréquence : +/- 200 Hz
- Puissance porteuse : 4 W AM / 4 W FM
- Émissions parasites : inférieure à 4 nW (- 54 dBm)
- Réponse en fréquence : 300 Hz à 3 kHz en AM/FM
- Puissance émise dans le canal adjacent : inférieure à 20 μ W
- Sensibilité du microphone : 7 mV
- Consommation maximum : 1,7 A à 13,8 V / 0,85 A à 27,6 V
- Distorsion maximum du signal modulé : 3 %

3) RÉCEPTION

- Sensibilité max. à 20 dB sinad : 0,5 μ V - 113 dBm AM / 0,35 μ V - 116 dBm FM
- Réponse en fréquence : 300 Hz à 3 kHz
- Sélectivité du canal adj. : 60 dB
- Puissance audio maxi : 2,5 W
- Sensibilité du squelch : min. 0,2 μ V - 120 dBm / max. 1 mV - 47 dBm
- Taux de réjection fréquence image : 70 dB
- Taux de réjection fréquence intermédiaire : 70 dB
- Consommation : 160 ~ 500 mA (13,8 V)
100 ~ 250 mA (27,6 V)

F) GUIDE DE DÉPANNAGE

1) VOTRE POSTE N'ÉMET PAS OU VOTRE ÉMISSION EST DE

MAUVAISE QUALITÉ

Vérifiez que :

- L'antenne soit correctement branchée et que le TOS soit bien réglé.
- Le micro soit bien branché.

2) VOTRE POSTE NE REÇOIT PAS OU VOTRE RÉCEPTION EST DE MAUVAISE QUALITÉ

Vérifiez que :

- Le niveau du squelch soit correctement réglé.
- Le bouton Volume soit réglé à un niveau convenable.
- L'antenne soit correctement branchée et le TOS bien réglé.
- Vous êtes bien sur le même type de modulation que votre interlocuteur.

3) VOTRE POSTE NE S'ALLUME PAS

Vérifiez :

- Votre alimentation.
- Qu'il n'y ait pas d'inversion des fils au niveau de votre branchement.
- L'état du fusible.

G) COMMENT ÉMETTRE OU RECEVOIR UN MESSAGE ?

Maintenant que vous avez lu la notice, assurez-vous que votre poste est en situation de fonctionner (antenne branchée).

Choisissez votre canal (19, 27).

Choisissez votre mode (AM, FM) qui doit être le même que celui de votre interlocuteur.

Vous pouvez alors appuyer sur la pédale de votre micro (11), et lancer le message «Attention stations pour un essai TX» ce qui vous permet de vérifier la clarté et la puissance de votre signal et devra entraîner une réponse du type «Fort et clair la station». Relâchez la pédale, et attendez une réponse. Dans le cas où vous utilisez un canal d'appel (19, 27), et que la communication est

établie avec votre interlocuteur, il est d'usage de choisir un autre canal disponible afin de ne pas encombrer le canal d'appel.

H) GLOSSAIRE

Au fil de l'utilisation de votre TX, vous découvrirez parfois un langage particulier employé par certains cibistes. Afin de vous aider à mieux le comprendre, vous trouverez ci-après dans le glossaire et le code «Q.» un récapitulatif des termes utilisés. Toutefois, il est évident qu'un langage clair et précis facilitera le contact entre tous les amateurs de radiocommunication. C'est la raison pour laquelle les termes que vous lirez ci-dessous sont donnés à titre indicatif, mais ne sont pas à utiliser de façon formelle.

ALPHABET PHONÉTIQUE INTERNATIONAL

A Alpha	H Hotel	O Oscar	V Victor
B Bravo	I India	P Papa	W Whiskey
C Charlie	J Juliett	Q Quebec	X X-ray
D Delta	K Kilo	R Romeo	Y Yankee
E Echo	L Lima	S Sierra	Z Zulu
F Foxtrott	M Mike	T Tango	
G Golf	N November	U Uniform	

LANGAGE TECHNIQUE

AM	: Amplitude Modulation (modulation d'amplitude)
BLU	: Bande latérale unique
BF	: Basse fréquence
CB	: Citizen Band (canaux banalisés)
CH	: Channel (canal)
CQ	: Appel général
CW	: Continuous waves (morse)
DX	: Liaison longue distance
DW	: Dual watch (double veille)
FM	: Frequency modulation (modulation de fréquence)
GMT	: Greenwich Meantime (heure méridien Greenwich)
GP	: Ground plane (antenne verticale)
HF	: High Frequency (haute fréquence)

LSB	: Low Side Band (bande latérale inférieure)
RX	: Receiver (récepteur)
SSB	: Single Side Band (Bande latérale unique)
SWR	: Standing Waves Ratio
SWL	: Short waves listening (écoute en ondes courtes)
SW	: Short waves (ondes courtes)
TOS	: Taux d'ondes stationnaires
TX	: Transceiver. Désigne un poste émetteur-récepteur CB. Indique aussi l'émission.
UHF	: Ultra-haute fréquence
USB	: Up Side Band (bande latérale supérieure)
VHF	: Very high Frequency (très haute fréquence)

LANGAGE CB

ALPHA LIMA	: Amplificateur linéaire
BAC	: Poste CB
BASE	: Station de base
BREAK	: Demande de s'intercaler, s'interrompre
CANNE À PÊCHE	: antenne
CHEERIO BY	: Au revoir
CITY NUMBER	: Code postal
COPIER	: Écouter, capter, recevoir
FIXE MOBILE	: Station mobile arrêtée
FB	: Fine business (bon, excellent)
INFÉRIEURS	: Canaux en-dessous des 40 canaux autorisés (interdits en France)
MAYDAY	: Appel de détresse
MIKE	: Micro
MOBILE	: Station mobile
NÉGATIF	: Non
OM	: Opérateur radio
SUCETTE	: Micro
SUPÉRIEURS	: Canaux au-dessus des 40 canaux autorisés (interdits en France)
TANTE VICTORINE	: Télévision
TONTON	: Amplificateur de puissance
TPH	: Téléphone
TVI	: Interférences TV
VISU	: Se voir

VX : Vieux copains
 WHISKY : Watts
 WX : Le temps
 XYL : L'épouse de l'opérateur
 YL : Opératrice radio
 51 : Poignée de mains
 73 : Amitiés
 88 : Grosses bises
 99 : Dégager la fréquence
 144 : Polarisation horizontale, aller se coucher
 318 : Pipi
 600 ohms : le téléphone
 813 : Gastro liquide (apéritif)

CODE «Q»

QRA : Emplacement de la station
 QRA Familial : Domicile de la station
 QRA PRO : Lieu de travail
 QRB : Distance entre 2 stations
 QRD : Direction
 QRE : Heure d'arrivée prévue
 QRG : Fréquence
 QRH : Fréquence instable
 QRI : Tonalité d'émission
 QRJ : Me recevez-vous bien ?
 QRK : Force des signaux (R1 à R5)
 QRL : Je suis occupé
 QRM : Parasites, brouillage
 QRM DX : Parasites lointains
 QRM 22 : Police
 QRN : Brouillage atmosphérique (orages)
 QRO : Fort, très bien, sympa
 QRP : Faible, petit
 QRPP : Petit garçon
 QRPPette : Petite fille
 QRQ : Transmettez plus vite
 QRR : Nom de la station
 QRRR : Appel de détresse

QRS : Transmettez plus lentement
 QRT : Cessez les émissions
 QRU : Plus rien à dire
 QRV : Je suis prêt
 QRW : Avertissez que j'appelle
 QRX : Restez en écoute un instant
 QRZ : Indicatif de la station : par qui suis-je appelé ?
 QSA : Force de signal (S1 à S9)
 QSB : Fading, variation
 QSJ : Prix, argent, valeur
 QSK : Dois-je continuer la transmission ?
 QSL : Carte de confirmation de contact
 QSO : Contact radio
 QSP : Transmettre à...
 QSX : Voulez-vous écouter sur...
 QSY : Dégagement de fréquence
 QTH : Position de station
 QTR : Heure locale

CANAUX D'APPEL

27 AM : appel général en zone urbaine
 19 AM : Routiers
 9 AM : Appel d'urgence

CONDITIONS GÉNÉRALES DE GARANTIE

Cet appareil est garanti **2 ans** pièces et main d'œuvre dans son pays d'achat contre tout défaut de fabrication validé par notre service technique. Le service après-vente PRESIDENT se réserve le droit de ne pas appliquer la garantie en cas de panne causée par une antenne autre que celles distribuées par PRESIDENT. Une extension de garantie de **3 ans** est proposée systématiquement pour l'achat simultané d'un appareil et d'une antenne PRESIDENT, portant la durée totale de la garantie à **5 ans**. Pour être valide, l'enregistrement de la garantie doit être complété et soumis dans les 30 jours suivant la date d'achat à PRESIDENT ELECTRONICS en ligne sur www.president-electronics.us/warranty-registration. Vous pouvez également accéder à cette page d'enregistrement de garantie en utilisant votre smartphone pour lire (l'application doit être disponible) le QR code. Vous recevrez un email de confirmation si l'inscription est complétée avec succès. Veuillez conserver une copie de cet e-mail pour vos dossiers.

Toute réparation sous garantie sera gratuite et les frais de retour seront à la charge de PRESIDENT. Une preuve d'achat doit être jointe à l'appareil à réparer. Les dates indiquées sur le bon de garantie et la preuve d'achat doivent correspondre. Dans le cas où l'appareil n'est pas sous garantie, la réparation et le retour de l'appareil seront facturés. Aucune pièce détachée ne sera envoyée ni échangée par PRESIDENT au titre de la garantie. Ne procédez pas à l'installation de l'appareil sans avoir lu ce manuel d'utilisation. La garantie est uniquement valable dans le pays d'achat.

Exclusions (non couvertes par la garantie):

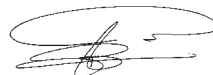
- Les dommages causés par un accident, un choc ou un emballage inadéquat.
- Transistors de puissance, microphones, lampes, fusibles et le non-respect des caractéristiques de montage et d'utilisation (antenne mal réglée (TOS), des transistors de puissance de sortie finale, inversion de polarité, mauvaises connexions, surtension ...).
- La garantie ne peut pas être prorogée en raison d'une immobilisation de l'appareil pendant par le service après-vente de PRESIDENT, ni par le remplacement d'un ou de plusieurs composants ou pièces de détachées.
- Des appareils ayant subi des modifications visant à transformer les caractéristiques d'agrément, les réparations effectuées par des tiers non agréés par PRESIDENT ELECTRONICS.

Si vous notez un dysfonctionnement:

- Vérifiez l'alimentation électrique de votre appareil et la qualité du fusible.
- Vérifiez que l'antenne et le microphone sont correctement connectés.
- Assurez-vous que le niveau du squelch soit correctement réglé, que la configuration programmée soit la bonne.
- En cas de dysfonctionnement réel, veuillez d'abord contacter votre revendeur qui décidera de la conduite à tenir.

En cas d'intervention non couverte par la garantie, un devis sera établi avant toute réparation. Merci de votre confiance dans la qualité et l'expérience de PRESIDENT. Nous vous recommandons de lire attentivement ce manuel afin que vous soyez entièrement satisfait de votre achat.

Directeur technique
et
Service qualité



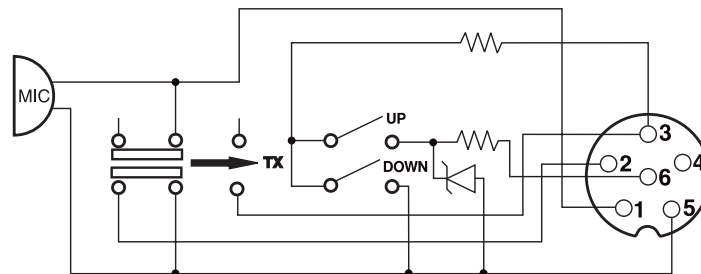
Enregistrement de garantie



TABLEAU DES FRÉQUENCES
TABLA DE FRECUENCIAS
FREQUENCY TABLE

N° du canal N° Canal Channel	Fréquences Frecuencia Frequency	N° du canal N° Canal Channel	Fréquences Frecuencia Frequency
1	26,965 MHz	21	27,215 MHz
2	26,975 MHz	22	27,225 MHz
3	26,985 MHz	23	27,255 MHz
4	27,005 MHz	24	27,235 MHz
5	27,015 MHz	25	27,245 MHz
6	27,025 MHz	26	27,265 MHz
7	27,035 MHz	27	27,275 MHz
8	27,055 MHz	28	27,285 MHz
9	27,065 MHz	29	27,295 MHz
10	27,075 MHz	30	27,305 MHz
11	27,085 MHz	31	27,315 MHz
12	27,105 MHz	32	27,325 MHz
13	27,115 MHz	33	27,335 MHz
14	27,125 MHz	34	27,345 MHz
15	27,135 MHz	35	27,355 MHz
16	27,155 MHz	36	27,365 MHz
17	27,165 MHz	37	27,375 MHz
18	27,175 MHz	38	27,385 MHz
19	27,185 MHz	39	27,395 MHz
20	27,205 MHz	40	27,405 MHz

PRISE MICRO 6 BROCHES
CONEXIÓN DEL MICRO 6 PINS
6-PIN MICROPHONE PLUG



1 Modulation	Modulación	Modulation
2 RX	RX	RX
3 TX - UP/DOWN	TX - UP/DOWN	TX - UP/DOWN
4 -	-	-
5 Masse	Masa	Ground
6 Alimentation	Alimentación	Power Supply

IC RSS-GEN, Sec 7.1.2 Warning Statement - (Required for Transmitters)

ENGLISH:

Under Industry Canada regulations, this radio transmitter may only operate using an antenna of a type and maximum (or lesser) gain approved for the transmitter by Industry Canada. To reduce potential radio interference to other users, the antenna type and its gain should be so chosen that the equivalent isotropically radiated power (e.i.r.p.) is not more than that necessary for successful communication.

FRANÇAIS :

Conformément à la réglementation d'Industrie Canada, le présent émetteur radio peut fonctionner avec une antenne d'un type et d'un gain maximal (ou inférieur) approuvé pour l'émetteur par Industrie Canada. Dans le but de réduire les risques de brouillage radioélectrique à l'intention des autres utilisateurs, il faut choisir le type d'antenne et son gain de sorte que la puissance isotrope rayonnée équivalente (p.i.r.e.) ne dépasse pas l'intensité nécessaire à l'établissement d'une communication satisfaisante.

IC RSS-GEN, Sec 7.1.2 Warning Statement - (Required for Transmitters w/ detachable antennas)

ENGLISH:

This radio transmitter has been approved by Industry Canada to operate with the antenna types listed below with the maximum permissible gain and required antenna impedance for each antenna type indicated. Antenna types not included in this list, having a gain greater than the maximum gain indicated for that type, are strictly prohibited for use with this device.

FRANÇAIS :

Le présent émetteur radio a été approuvé par Industrie Canada pour fonctionner avec les types d'antennes énumérés ci-dessous et ayant un gain admissible maximal et l'impédance requise pour chaque type d'antenne. Les types d'antennes non inclus dans cette liste, ou dont le gain est supérieur au gain maximal indiqué, sont strictement interdits pour l'exploitation de l'émetteur.

RF Exposure Warning Statements (FCC/ISED)

ENGLISH:

The antenna used for this radio must be properly installed and maintained and must provide a separation distance of at least 21 inches (53 cm) from all persons and must not be collocated or operated in conjunction with any other antenna or transmitter. Never transmit if any person is closer than the specified distance to the antenna.

Note that PRESIDENT does not specify or supply any antenna with this transceiver. While a 0 dBi gain antenna is normal for a typical installation, the above limit applies to any antenna with up to 3 dBi gain.

FRANÇAIS :

L'antenne utilisée pour cette radio doit être correctement installée et entretenue. Elle doit respecter une distance minimum de 53 cm (21 pouces) de l'utilisateur et ne doit pas être installée à proximité ou utilisée conjointement avec tout autre antenne ou émetteur. N'utilisez pas votre radio si vous ne respectez pas la distance spécifiée.

Note: PRESIDENT ne recommande ni ne fournit aucune antenne avec cet émetteur-récepteur. Alors qu'un gain d'antenne de 0 dBi est normal pour une installation traditionnelle, la limite mentionnée ci-dessus s'applique à n'importe quelle antenne avec un gain maximal de 3 dBi.

IC RSS-GEN, Sec 8.4 / RSP-100, Sec 8.4

ENGLISH:

This device complies with Industry Canada's license-exempt RSSs. Operation is subject to the following two conditions: (1) This device may not cause interference; and (2) This device must accept any interference, including interference that may cause undesired operation of the device.

FRANÇAIS :

Le présent appareil est conforme aux normes CNR d'Industrie Canada applicables aux appareils radio exempts de licence. L'exploitation est autorisée aux deux conditions suivantes : (1) l'appareil ne doit pas produire de brouillage, et (2) l'utilisateur de l'appareil doit accepter tout brouillage radioélectrique subi, même si le brouillage est susceptible d'en compromettre le fonctionnement.

Part 15 FCC

ENGLISH:

This device complies with part 15 of the FCC Rules. Operation is subject to the following two conditions: (1) This device may not cause harmful interference, and (2) this device must accept any interference received, including interference that may cause undesired operation.

FRANÇAIS :

Cet appareil est conforme à la partie 15 des règles FCC. Son fonctionnement est soumis aux deux conditions suivantes: (1) Cet appareil ne doit pas causer d'interférences nuisibles, et (2) cet appareil doit accepter toute interférence reçue, y compris les interférences susceptibles de provoquer un fonctionnement indésirable.

Part 15.21 FCC

ENGLISH:

Changes or modifications not expressly approved by the party responsible for compliance could void the user's authority to operate the equipment.

FRANÇAIS:

Les changements ou modifications non expressément approuvés par la partie responsable de la conformité peuvent annuler le droit de l'utilisateur à faire fonctionner l'équipement.



Group
PRESIDENT
ELECTRONICS USA

HEAD OFFICE/SIÈGE SOCIAL: USA - 1007 Collier Center Way, Naples, Florida 34110
Web: <http://www.president-electronics.us> • Phone: +1 239.302.3100
Email: info@president-electronics.us



PRINTED IN P.R.C.

2153/08-21 v1.05

PRESIDENT