

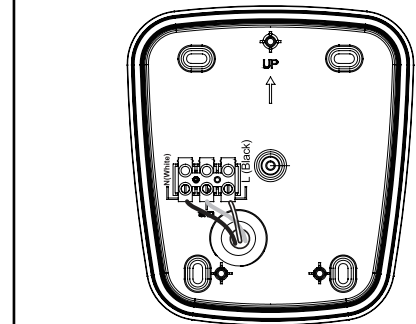
Installation Steps

Turn off the power at fuse or circuit box.

1. The fixture mounting bracket is pre-assembled on the light fixture. Unscrew both the decorative cover and the fixture mounting screw in order to remove the mounting bracket.
2. Install the mounting strap to the outlet box with the stamped word "FRONT" facing away from the outlet box, using two mounting screws that best fit the outlet box. (Choose one group suitable mounting screws among three groups)
3. Pull out the source wires from the outlet box. Make wire connections using wire nuts as follows:
 - Connect the black wire from the fixture to the black wire from the power source.
 - Connect the white wire from the fixture to the white wire from the power source.
 - Connect the grounding wire from the fixture to the grounding wire from the power source. (usually green / yellow insulation)
 Carefully tuck the wires back into the outlet box.
4. Place mounting bracket against the outlet box, insert the mounting bracket screw through the mounting bracket hole, thread mounting bracket screw into the center hole of the mounting strap. Tighten the mounting bracket screw securely.
 - ▲ When mounting to a wall, the "UP" arrow must point upward. (See Fig. 1)
 - ▲ When mounting to an eave, the "UP" arrow must point toward the building.
5. Attach the back plate of the light fixture to the mounting bracket, secure it with the fixture mounting screw.
6. With silicone caulking compound, caulk completely around where the mounting bracket meets the wall surface.

CAUTION: Be sure to caulk completely where the mounting bracket meets the wall surface to prevent water from seeping into the outlet box.

Fig. 1



Turn on the power at fuse or circuit box.

Adjusting the Sensor Head:

1. Rotate the motion sensor so the controls face toward the ground.

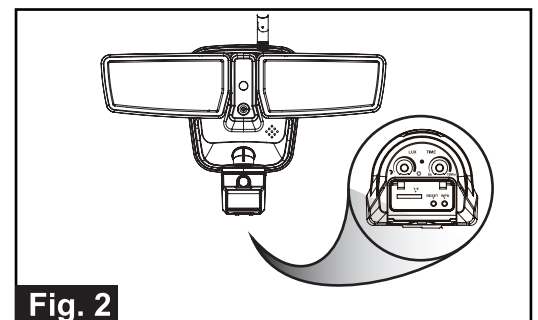
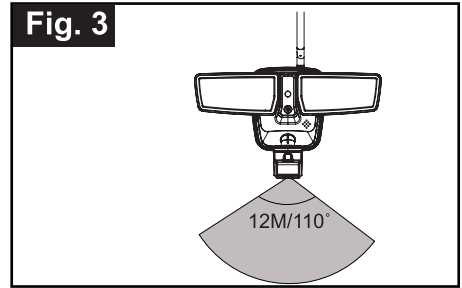


Fig. 2

Adjusting the Motion Sensor Detection Zone:

1. Perform a “walk test”: walk in an arc across the front of the motion sensor.(See Fig.3)
2. Watch the light. The light will come on and the red LED will flash indicating motion has been detected.
3. Stop, wait for the light to turn off, and then begin walking again.
4. Continue, gently grasp the motion sensor and move it from side to side or up and down to adjust the detection zone.

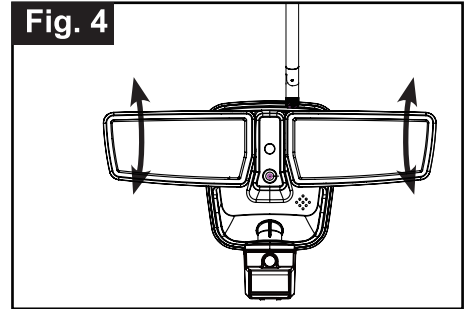
Fig. 3



Adjusting the Light Head:

1. Gently grasp the light heads and tilt them up or down, left or right to adjust the light coverage area. Keep the light heads at least 1” (25mm) away from the sensor.(See Fig. 4)
2. Keep the light heads 30° below horizontal to avoid water damage and electrical shock.

Fig. 4



Function and Operation

Note: When power is first applied, the light will turn on. The sensor will take 30 seconds to warm up.

1. LUX MODE

The “LUX” control determines how dark the surrounding light level need to be before the motion sensor will turn on the light when motion is detected.

● TEST MODE(daytime and nighttime operation)

Turn the knob clockwise to ☀, the light turn on after expiration of the warm-up period, the light will enter a 5-second TEST mode. The light will stay when motion is detected. When motion is no longer detected,the light will remain on for the predetermined shut-off delay time you set (5s~10 min), and then turn off automatically.

● AUTO MODE(nighttime operation only)

Turn the knob counterclockwise to 🌙, the light turn on after expiration of the warm-up period, the light will enter AUTO mode, the light will stay when motion is detected. When motion is no longer detected,the light will remain on for the predetermined shut-off delay time you set (5s~10min), and then turn off automatically.
The light will turn off automatically at dawn.

2. Manual Override MODE(nighttime operation only)

To shift to the manual override mode, set the knob arrow to ☺. Turn the wall switch “OFF”, then turn it “ON” twice within 3 seconds. The light will remain on all night long.
To shift back to the “AUTO” mode, turn the wall switch “OFF”, then turn it “ON” twice within 3 seconds again.
The light will turn off automatically at dawn.

Fig. 5

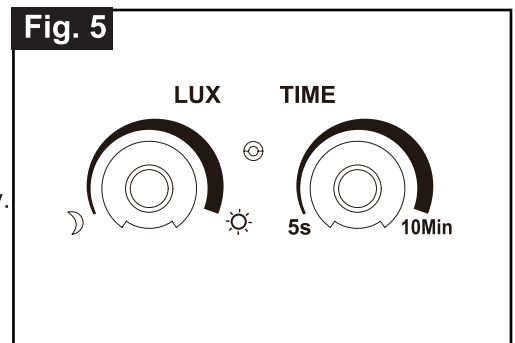
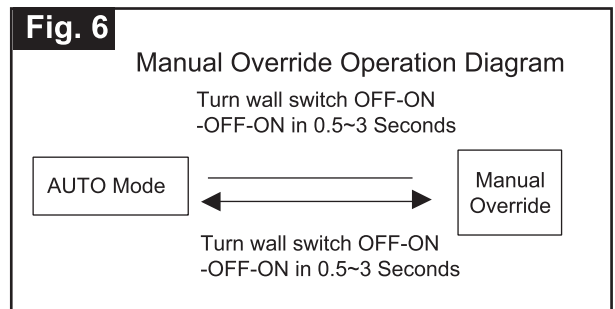


Fig. 6



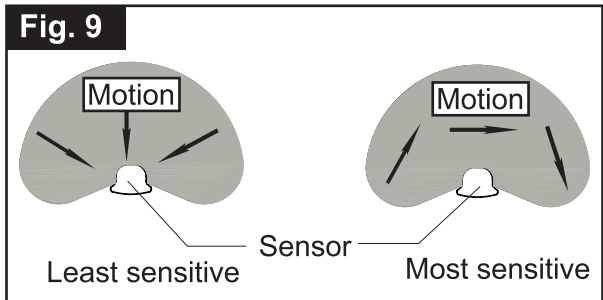
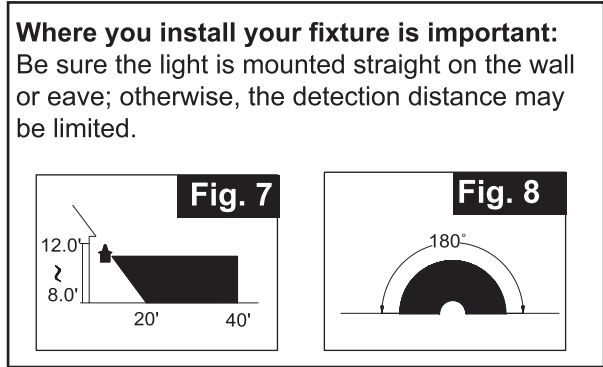
Customization Options:

Shut-off Delay

- The shut-off delay is the length of time the light will stay at brightness after motion has ceased to be detected.
- You can set the shut-off delay by rotating the delay time knob arrow so it points to the desired time setting within “TIME” range. To increase the shut-off delay, turn the knob clockwise. To decrease the shut-off delay, turn the knob counterclockwise.

Notes:

1. The sensitivity of the motion sensor will increase as the environmental temperature gets cooler. You may wish to make adjustments when the season changes. For best performance, gently clean the lens with a soft cloth every 1 or 2 months to assure maximum sensitivity.
2. For best performance, install fixture at least 8 feet above the ground. At such a height, the fixture will provide a detection distance of up to 40 feet at 77 degrees Fahrenheit. (See Fig.7)
3. The sensor detects movement across a detection range of 180 degrees. (See Fig.8)
4. The sensor will be more sensitive to motion across its detection path than motion directly towards it. (See Fig.9)
5. To reduce possible nuisances, do not mount the fixture near a heat source like an air conditioner, vent or furnace exhaust, or in a direction facing any reflecting object or other light source.



Troubleshooting

---The light does not come on at all:

1. Make sure the wall switch and circuit breaker are on.
2. Make sure the wiring is correct.
3. Cover the sensor with dark color cloth to verify that the ambient light level is not too high.

---Light flash:

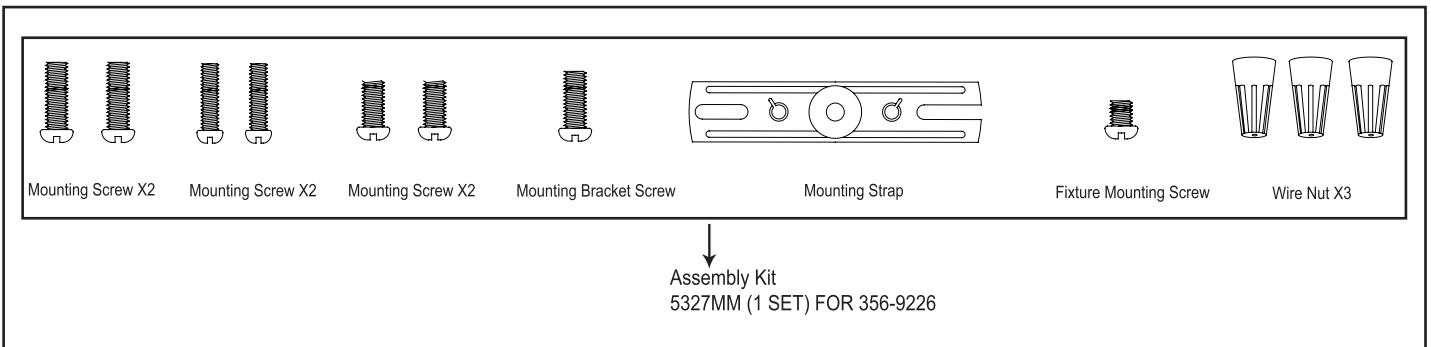
Cover PIR sensor len with black cloth / aluminum foil paper, if the ligh function is normal, then following.

1. Check any heat around the detection area.
2. Check the PIR sensor facing any tree.
3. Check the PIR sensor facing any fan or air condition.

---PIR sensor will not activate during daytime:

1. Adjust the dusk level control to daytime(full clockwise)

The following parts are available for re-order if damaged or missing. Call us toll-free at 1-800-887-6326



Brief Introduction of WIFI Camera

1. The SLFLEDWIFI floodlight camera combines an LED security floodlight with an intergrated wireless WIFI camera device.
2. The basic function of WIFI camera is to transmit remote video data through a WIFI network. Using the H.264 hardware compression technigue, the transmission speed of high quality vedio images across the network & internet can reach 25 frames per second real time.
3. The transmission of WIFI camera video data is based on WIFI protocol. The build-in web server supports firefox, chrome remote configuration and update firmware. You can use the SLFLEDWIFI to monitor areas in your home and office, or control the camera through WIFI network and manage images.

Product Features

1. Powerful high- speed video protocol processor
2. High-sensitivity 1/4"CMOS sensor
3. Maximum 1.3 megapixel
4. High-brightness LED illumination night vision
5. Optimized H.264 video compression transmission
6. Multileve user management and password setting
7. Build-in Web server that can be accessed by users through IE browser
8. Support wireless network (WI-FI/ 802.11/b/g/n)

5-YEAR LIMITED WARRANTY:

This Patriot Lighting fixture carries a limited warranty against defects in material or workmanship. If the Patriot Lighting product fails at any time within five (5) years after the original date of sale due to defects in material or workmanship, return the product to Menards with the original sales receipt. At its discretion, Patriot Lighting will replace the defective fixture with the same or similar fixture or issue a refund. This warranty and any implied warranty (including but not limited to any implied warranty of merchantability or fitness for a particular purpose) does not cover glass globes, light bulbs and other expendable items. This warranty excludes coverage of finish or color against tarnishing, flaking, and discoloration. If the original purchaser ceases to own the Patriot Lighting product this warranty and any implied warranty will be void. This warranty does not cover damage caused by misuse or abuse, including but not limited to improper installation, improper usage, accident, negligence, unauthorized repair, unauthorized modifications, or unauthorized maintenance of the fixture. This warranty does not include reimbursement for inconvenience, installation, setup time, returned shipping charges or defects, losses, labor, injuries to personal property.

This warranty gives the consumer specific legal rights, and the consumer may have other rights which vary from state to state. The seller's employees are not qualified to advise on the use of the fixture. Any oral representations made will not be binding on seller or its employees.

For questions regarding this product, call us toll-free at 1-800-887-6326.

FCC Certification Requirements

Caution: Any changes or modifications in construction of this device which are not expressly approved by the party responsible for compliance could void the user's authority to operate the equipment.

This device complies with part 15 of the FCC Rules. Operation is subject to the following two conditions: (1) This device may not cause harmful interference, and (2) This device must accept any interference received, including interference that may cause undesired operation.

The manufacturer is not responsible for any radio or TV interference caused by unauthorized modifications to this equipment. Such modifications could void the user's authority to operate the equipment.

This equipment has been tested and found to comply with the limits for a Class B digital device, pursuant to Part 15 of the FCC Rules. These limits are designed to provide reasonable protection against harmful interference in a residential installation. This equipment generates, uses and can radiate radio frequency energy and, if not installed and used in accordance with the instructions, may cause harmful interference to radio communications. However, there is no guarantee that interference will not occur in a particular installation. If this equipment does cause harmful interference to radio or television reception, which can be determined by turning the equipment off and on, the user is encouraged to try to correct the interference by one or more of the following measures:

- Reorient or relocate the receiving antenna.
- Increase the separation between the equipment and receiver.
- Connect the equipment into an outlet on a circuit different from that to which the receiver is connected.

Consult the dealer or an experienced radio/TV technician for help.

The antenna(s) used for this transmitter must be installed to provide a separation distance of at least 20 cm from all persons.