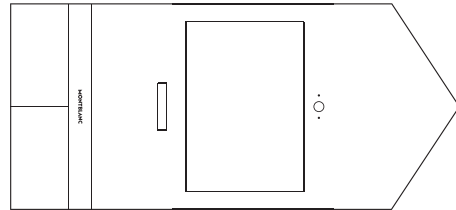




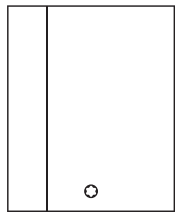
# Augmented Paper Overview

Augmented Paper Übersicht  
Présentation de l'Augmented Paper  
Panoramica Augmented Paper  
Introducción de papel aumentado  
오그멘티드 페이퍼 개요  
Augmented Paper の概要  
Augmented Paper 概览  
Augmented Paper 概覽



## Leather envelope

Lederhülle  
Étui en cuir  
Busta in pelle  
Funda de piel  
레더 엔벨로프  
レザー封筒  
皮质封面  
皮質信封



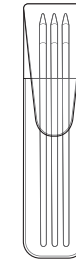
## Notebook

Notizbuch  
Carnet de notes  
Blocco note  
Cuaderno  
노트  
ノート  
笔记本  
筆記型電腦



## Writing Instrument

Schreibgerät  
Instrument d'écriture  
Strumento da scrittura  
Artículo de escritura  
필기구  
筆記具  
书写工具  
書寫工具



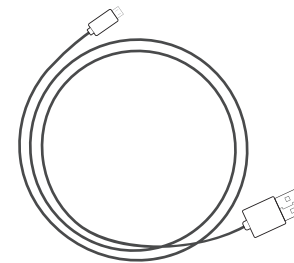
## Ballpoint refills

Kugelschreiberminen  
Recharges pour stylo bille  
Refill per penna a sfera  
Recambios para esferógrafo  
볼펜 교체용 리필  
ボールペンリフィル  
圆珠笔笔芯  
圆珠筆筆芯



## Tweezers

Pinzetten  
Pinces  
Pinzette  
Pinzas  
핀셋  
ピンセット  
镊子  
鉗子



## Charging cable

Ladekabel  
Câble de recharge  
Cavo di ricarica  
Cable de carga  
충전 케이블  
充電ケーブル  
充电线  
充電線

## Get started

Los geht's!  
Premiers pas  
Iniziare  
Introducción  
시작  
開始する  
开始  
開始

\_Thanks for purchasing the Montblanc Augmented Paper. Visit [www.montblanc.com/augmented-paper](http://www.montblanc.com/augmented-paper) for support and more information.

\_Vielen Dank, dass Sie sich für ein Montblanc Augmented Paper entschieden haben. Hilfe und weitere Informationen erhalten Sie auf [www.montblanc.com/augmented-paper](http://www.montblanc.com/augmented-paper).

\_Merci d'avoir acheté l'Augmented Paper de Montblanc. Pour plus d'informations ou si vous avez besoin d'aide, rendezvous sur la page [www.montblanc.com/augmented-paper](http://www.montblanc.com/augmented-paper).

\_La ringraziamo per aver acquistato Montblanc Augmented Paper. Visiti [www.montblanc.com/augmented-paper](http://www.montblanc.com/augmented-paper) per ricevere assistenza e ulteriori informazioni.

\_Gracias por adquirir el papel aumentado Montblanc. Visite [www.montblanc.com/augmented-paper](http://www.montblanc.com/augmented-paper) para más información y soporte.

몽블랑의 오그멘티드 페이퍼를 구매해 주셔서 감사합니다. 자세한 정보와 지원이 필요하시면, [www.montblanc.com/augmented-paper](http://www.montblanc.com/augmented-paper) 에서 확인하실 수 있습니다.

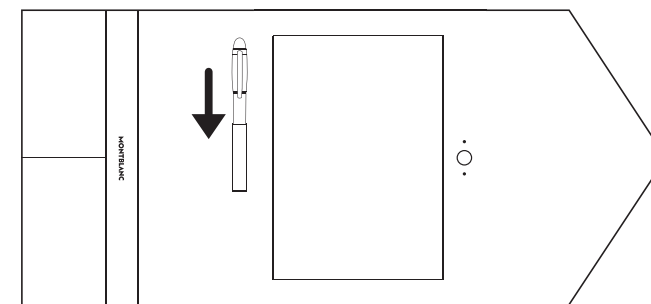
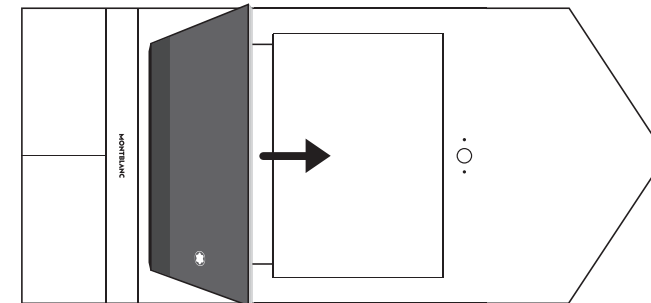
Montblanc Augmented Paperをご購入いただき、ありがとうございます。サポートおよび詳細は、[www.montblanc.com/augmented-paper](http://www.montblanc.com/augmented-paper) にアクセスしてください。

感谢购买万宝龙Augmented Paper。访问 [www.montblanc.com/augmented-paper](http://www.montblanc.com/augmented-paper) 获取支持和更多信息。

感谢您購買萬寶龍Augmented Paper。請瀏覽[www.montblanc.com/augmented-paper](http://www.montblanc.com/augmented-paper)以取得支援和了解更多詳情。

## Insert Notebook & Writing Instrument

Notizbuch & Schreibgerät einfügen  
Insérer le carnet de notes et l'instrument d'écriture  
Inserire Blocco Note e Strumento da scrittura  
Insertar Cuaderno y artículo de escritura  
노트와 필기구 삽입  
ノートと筆記具の挿入  
插入笔记本和书写工具  
插入筆記型電腦和書寫工具



## Charging

Laden  
Chargement  
In carica  
Cargando  
충전  
充電中  
充电  
正在充電

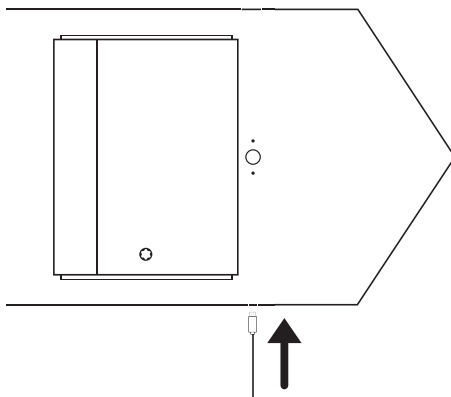
## Switch on

Einschalten  
Allumer  
Accendere  
Encender  
켜기  
電源オン  
打开  
啟動

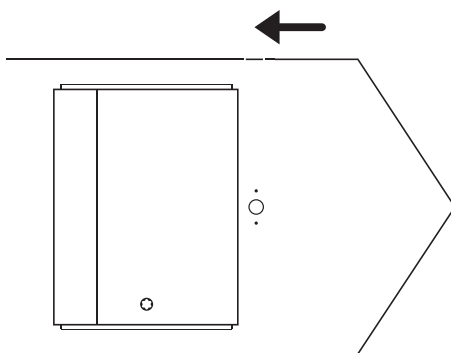
## Get App

Die App herunterladen  
Obtenir l'application  
Ottener app  
Obtener aplicación  
앱 다운로드  
アプリを取得  
获取应用程序  
下載應用程式

### 1. Charging



### 2. Switch on



\_Download and launch the "Montblanc Hub" App from the App Store or Play Store.

\_Die „Montblanc Hub“ App können Sie im App Store oder Play Store herunterladen.

\_Téléchargez et lancez l'application „Montblanc Hub“ depuis l'App Store ou le Play Store.

\_Scaricare e lanciare l'app "Montblanc Hub" dall'App Store o dal Play Store.

\_Descargue y lance la aplicación Papel aumentado Montblanc del App Store o Play Store.

앱 스토어나 플레이 스토어에서 '몽블랑의 오그멘티드 페이퍼'를 다운로드하고 앱을 시작하세요.

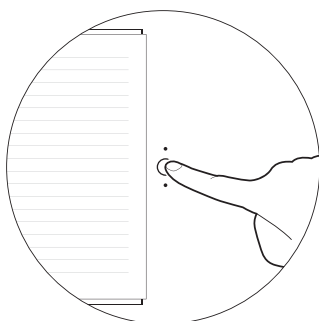
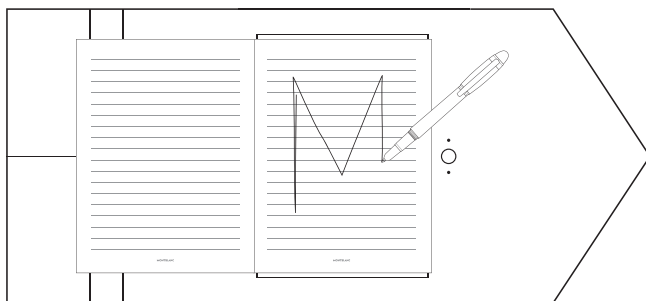
App StoreまたはPlay Store から、“Montblanc Hub” アプリをダウンロードし、起動してください。

从App Store或Play Store下载“万宝龙 Augmented Paper”应用程序，然后启动。

從App Store或Play Store 下載「萬寶龍 Augmented Paper」應用程式，然後啟動。

## Writing

Schreiben  
Écriture  
Scrittura  
Escritura  
작성  
筆記中  
书写  
書寫



### Press button for next page

Drücken Sie den Button, um zur nächsten Seite zu gelangen.

Appuyez sur le bouton pour aller à la page suivante  
Premere il pulsante per passare alla pagina successiva

Pulse el botón para la página siguiente

다음 페이지로 가려면 버튼을 누르세요.

ボタンを押して次ページへ進む

按下一页按钮

按下一页按钮

## LED indicators

LED-Anzeigen  
Voyants lumineux  
Indicatori LED  
Indicadores LED  
LED 표시기  
LEDインジケータ  
LED指示灯  
LED指示燈



### Green solid

Grünes Dauerlicht  
Vert fixe  
Verde fisso  
Relleno verde  
그린  
グリーンの点灯  
綠色常亮  
綠色常亮

### Power on, page is empty

Eingeschaltet, leere Seite  
Appareil allumé, page vide  
Accensione, la pagina è vuota  
Encendido, la página está vacía  
전원이 켜져 있으며, 페이지가 비어 있습니다.  
電源オン、ページが空白です  
电源打开, 页面为空  
電源啟動, 頁面為空



### Blue solid

Blaues Dauerlicht  
Bleu fixe  
Blu fisso  
Relleno azul  
블루  
ブルーの点灯  
藍色常亮  
藍色常亮

### Power on, page has content

Einschaltet, Seite mit Inhalt  
Appareil allumé, page avec contenu  
Accensione, la pagina include contenuti  
Encendido, la página tiene contenido  
전원이 켜져 있으며, 페이지에 콘텐츠가 있습니다.  
電源オン、ページにコンテンツがあります  
电源打开, 页面有内容  
電源啟動, 頁面有內容



### Blue blinking

Blaues Blinklicht  
Bleu clignotant  
Blu lampeggiante  
Intermitente azul  
깜박이는 블루  
ブルーの点滅  
藍色闪烁  
藍色閃爍

### Pairing

Verbinden  
Connexion  
Sincronizzazione  
Emparejamiento  
페어링  
ペアリング  
配对  
配對

## LED indicators

LED-Anzeigen  
Voyants lumineux  
Indicatori LED  
Indicadores LED  
LED 표시기  
LEDインジケータ  
LED指示灯  
LED指示燈



### Blue-orange

Blauorange  
Bleu orange  
Blu-arancione  
Azul-naranja  
블루-오렌지  
ブルーオレンジ  
藍色/橙色  
藍色/橙色

### Storage full

Voller Speicher  
Stockage plein  
Archivio pieno  
Almacenamiento completo  
저장 공간 가득 참  
空き容量がありません  
存储空间已满  
儲存空間已滿



### Orange solid

Orangefarbenes Dauerlicht  
Orange fixe  
Arancione fisso  
Relleno naranja  
오렌지  
オレンジの点灯  
橙色常亮  
橙色常亮

### Battery charging

Akku lädt  
Chargement de la batterie  
Batteria in carica  
Cargando la batería  
배터리 충전  
バッテリー充電中  
电池正在充电  
正在充電



### Orange blinking

Orangefarbenes Blinklicht  
Orange clignotant  
Arancione lampeggiante  
Relleno naranja  
깜박이는 오렌지  
オレンジの点滅  
橙色闪烁  
橙色閃爍

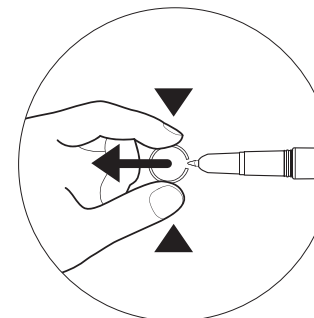
### Low battery

Schwacher Akku  
Batterie faible  
Livello batteria basso  
Batería baja  
배터리 부족  
低バッテリー  
电池电量低  
電量不足

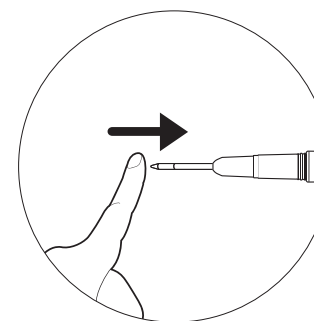
## Replace refill

Mine ersetzen  
Remplacer la recharge  
Sostituire refill  
Reemplazar recambio  
교체용 리필 교체  
リフィルを交換  
更換紙芯/笔芯  
更換紙/筆芯

Step 1



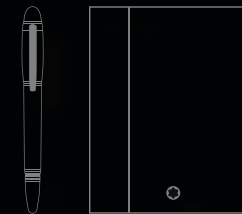
Step 2





© Montblanc Meisterstück Meisterstück Meisterstück Meisterstück Meisterstück Meisterstück Meisterstück Meisterstück Meisterstück Meisterstück  
© Montblanc 2016 | Montblanc Augmented Paper | Mat. No. 123456789 | Printed in Germany

# Augmented Paper Safety Manual



Sicherheitshinweise  
 Consignes de sécurité  
 informazioni di sicurezza  
 Informacion de seguridad  
 안전정보  
 安全に関する情報  
 安全信息  
 安全信息

# MONTBLANC

## Augmented Paper

### EN:

#### Safety

Please read the following warnings and safety information carefully to prevent incidents. Any configuration or use other than what is in line with the suggested and intended use is not covered or guaranteed.

#### Precautions

To ensure the best performance of your product and to prevent damage, please use only the writing instruments, refills, tweezers and notebooks recommended by Montblanc. Montblanc cannot be held responsible for any damage resulting from the usage of other writing instruments, refills, tweezers or notebooks. Please contact a Montblanc Boutique or an authorised Montblanc Retailer if you require refills or if you lose your Montblanc product(s).

Please use original Montblanc A5 Notebooks made for Augmented Paper only. Accuracy will differ with other notebooks in use and may lead to malfunction of the device.

Do not force items into the slots and pockets. Failure to do so may result in damage.

Montblanc cannot be held responsible for damage or loss of data caused by the use of the device.

Do not service the device yourself. For service and maintenance contact your Montblanc Boutique or an authorised Montblanc Retailer.

#### Warnings

Do not disassemble, repair, modify, open, drop, puncture, crush, insert objects, shred or try to damage the device in any manner. Refrain from putting high pressure on it or placing it near or in a heat source. Failure to do so will void the warranty and may result in fire, electric shocks and/or other damage, including human injury.

Do not place metallic objects on the device or place the device on top of metallic objects, e.g. metallic tables.

Keep the device away from magnets and magnetic fields. Failure to do so may result in interference, malfunction or damage.

Do not expose the device to liquids, high humidity, humidity ranges that exceed specified usage conditions, open flames, elevated temperatures, severe temperature fluctuations, dust, shock, vibration, or mechanical stress. Failure to do so may result in malfunction or electric shock. In the event of liquid being spilled on the device, stop using it, switch it off and contact a Montblanc Boutique or an authorised Montblanc Retailer.

This device connects to peripherals using Bluetooth® technology. Please follow the guidelines for communication devices provided by officials when travelling in airplanes or in locations where their usage is banned. Montblanc cannot be held responsible for damages.

Do not apply excessive pressure to the nib when using the pen. If the pen is damaged, refrain from using it as it may result in malfunction or damage of the device.

If the device begins to swell or expand, emits strong odour, or becomes hot to the touch, discontinue usage and contact a Montblanc Boutique or an authorised Montblanc Retailer. If the battery inside the device leaks, discontinue use, and do not allow the device to contact your skin or eyes. In the event of accidental contact, wash the affected area with large amounts of water and seek medical assistance immediately.

The device is not a toy. Keep the device and accessories away from small children

Once the device is fully charged, do not leave it plugged in if it is not in use. Damages resulting from the usage of an improper charger are not covered by the warranty. Only use the enclosed USB cable to charge the device. Handle the USB cable with care. Do not place objects on the USB cable, bend it sharply, or apply heavy stress. Keep the cable away from liquids. Damage to the USB cable, may result in malfunction, electric shock or fire.

The data on the device as well as the connection between the device and your mobile device is not encrypted.

#### Cleaning instructions

Before cleaning the device, disconnect the device from any power source and switch it off. Only use a soft cloth and apply soft pressure when cleaning. Do not use any aggressive chemicals, detergents or solutions. Avoid getting moisture in any openings. Such damage is not covered by the warranty.

#### Disposal

If you wish to discard this product please contact your local authorities or dealer and ask for the correct method of disposal. Penalties may be applicable for incorrect disposal of this waste, in accordance with your national legislation.



#### Montblanc International Guarantee

The following Montblanc International Guarantee applies to Montblanc Products sold or presented for guarantee service in any country (including the United States of America, Canada and Australia).

#### What the Montblanc International Guarantee Covers and For How Long

Your Montblanc Product has been manufactured according to the high quality standards of Montblanc with all the care and patience dedicated to them by our devoted craftsmen. Nevertheless, the Montblanc Product is covered by this Montblanc International Guarantee against defects in manufacturing and materials. Please contact one of the authorised Montblanc boutiques, Montblanc dealers or Montblanc service centres located around the world and they will be able to provide guarantee service as defined herein (for a complete list of authorised Montblanc boutiques, Montblanc dealers and Montblanc service centres, please consult the Montblanc website [www.montblanc.com](http://www.montblanc.com)).

Montblanc warrants its product against defects in materials and manufacturing for a period of two (2) years from the date of purchase (the "Guarantee period"). If the product is returned during the Guarantee period, Montblanc will repair or replace any defective Montblanc Product or part free of charge within a reasonable time after the product is returned, subject to the right to charge for shipping. Upon expiration of the Guarantee period, any repairs will be subject to a service charge.

#### How to Obtain Service

You may obtain service by bringing or sending the Montblanc Product to your authorised Montblanc boutique, Montblanc dealer or to any Montblanc service centre as further indicated in this service guide. You are responsible for transportation costs, including but not limited to postage, insurance and packing materials. We recommend that any shipments to us include certified delivery and insurance.

In order to obtain service through this Montblanc International Guarantee, the returned Montblanc Product must be accompanied by the original Guarantee Certificate that was included with the Montblanc Product at the time of purchase, duly completed, dated, stamped and signed by an authorised Montblanc boutique or Montblanc dealer. Such Guarantee Certificate may only be completed by an authorised Montblanc boutique or Montblanc dealer.

What is Not Covered under the Montblanc International Guarantee

The Montblanc International Guarantee does not cover:

- defects and damages due to loss, theft, fire or other causes beyond our control.
- defects and damages resulting from misuse, negligence or accident.
- defects and damages caused by improper use (knocks, dents, crushing, etc.), alterations, tampering, dismantling or services and repairs completed by anyone other than an authorised Montblanc boutique, Montblanc dealer or Montblanc service centre, or by the use of components or accessories (such as bottled ink or cartridges) other than those produced or recommended by Montblanc.
- defects and damages due to normal wear and tear.
- Montblanc Products where the serial number has been removed or is not clearly legible, or where any part of the original Montblanc Product has been removed, changed, altered, replaced, erased or defaced.
- routine maintenance and cleaning.
- battery cells, leather straps, rubber and metal bracelets.

#### Montblanc Service Contacts

Only authorized Montblanc boutiques, Montblanc dealers and Montblanc service centres are entitled to provide guarantee service as defined herein. For more information and a complete list of authorized Montblanc boutiques, Montblanc dealers and Montblanc service centres, please consult the Montblanc website [www.montblanc.com](http://www.montblanc.com) or ask the authorized Montblanc boutique or Montblanc dealer indicated on your Guarantee Certificate or in your sales documentation.

#### Regulatory Statement

##### FCC Notice

This device complies with Part 15 of the FCC Rules. Operation is subject to the following two conditions: (1) this device may not cause harmful interference, and (2) this device must accept any interference received, including interference that may cause undesired operation.

This equipment has been tested and found to comply with the limits for a Class B digital device, pursuant to Part 15 of FCC Rules. These limits are designed to provide reasonable protection against harmful interference in a residential installation.

This equipment generates, uses and can radiate radio frequency energy and, if not installed and used in accordance with the instructions, may cause harmful interference to radio communications. However, there is no guarantee that interference will not occur in a particular installation. You can determine whether the equipment is causing interference by disconnecting it from your computer. If the interference stops, it was probably caused by the equipment. If the equipment does cause interference to radio or television reception, you may be able to correct the interference by using one or more of the following measures:

- Rotate the television or radio antenna until the interference stops.
- Move the equipment farther away from the television or radio.
- Plug the equipment and computer into an outlet that is on a different circuit from the television or radio.

If necessary, consult your Montblanc dealer or an experienced radio/television technician for help. Changes or modifications to this product not authorized by Montblanc could void the FCC Certification and negate your authority to operate the product.

#### FCC Radiation Exposure Statement:

This equipment complies with FCC radiation exposure limits set forth for an uncontrolled environment. End users must follow the specific operating instructions for satisfying RF exposure compliance. This transmitter must not be co-located or operating in conjunction with any other antenna or transmitter.

The radiated output power of this device is far below the FCC radiofrequency exposure limits.

The further RF exposure reduction can be achieved if the product can be kept as far as possible from the user body or set the device to lower output power if such function is available.

#### Industry Canada

This device complies with Industry Canada's licence-exempt RSSs. Operation is subject to the following two conditions:

- This device may not cause interference; and
- This device must accept any interference, including interference that may cause undesired operation of the device.

#### Radiation Exposure Statement:

The product complies with the Canada portable RF exposure limit set forth for an uncontrolled environment and are safe for intended operation as described in this guide. The further RF exposure reduction can be achieved if the product can be kept as far as possible from the user body or set the device to lower output power if such function is available.

#### EU Conformity information



The product complies with European EMC, R&TTE and RoHS Directive.



## Environmental Compliance

### WEEE



Reuse, recycling, and recovery. You are urged to recycle this product when replacing it with a newer product or when it has outlived its useful life by bringing it to an appropriate collection point for recyclable materials in your community or region. By doing this, you can help improve the environment of your community as well as minimize the potential negative effects created should any hazardous substance that may possibly be present within waste material reach the environment during the disposal process.

Within the European Union, users are required not to dispose of Waste Electrical and Electronic Equipment (WEEE) as unsorted municipal waste, according to the WEEE Directive or the corresponding local laws of the Member States. Products for which this is applicable will be marked with the WEEE symbol shown at the beginning of this note unless this is not feasible because of the size or the function of the product. Montblanc products are subject to the Directive WEEE and therefore you should always collect them separately and bring them to the appropriate collection point in your community or region.

### For customers in the USA and Canada recycling Lithium-ion Batteries



You can help preserve our environment by returning your used rechargeable batteries to the collection and recycling location nearest you. For more information regarding recycling of rechargeable batteries, call toll free 1-800-822-8837, or visit <http://www.rbrcc.org/>. Caution: Do not handle damaged or leaking Li-Ion battery.

### EU Battery Disposal Information



Note: This symbol mark is for EU countries only. This symbol mark is according to the directive 2006/66/EC Article 20 Information for end-users and Annex II. Your product is designed and manufactured with high quality materials and components which can be recycled and/or reused. This symbol means that batteries and accumulators, at their end-of-life, should be disposed of separately from your household waste. In the European Union there are separate collection systems for used Batteries and accumulators. Please, dispose of batteries and accumulators correctly at your local community waste collection/recycling centre.

Disposal of the built-in lithium-ion battery  
Please contact Montblanc Customer Care about the disposal of the built-in lithium-ion battery.

IDA (INFOCOMM DEVELOPMENT AUTHORITY OF SINGAPORE)

The Augmented Paper has been tested and found to comply with IDA standards.

Compliance with  
IDA Standards  
DB106046

## DE:

### Sicherheitshinweise

Bitte lesen Sie aufmerksam die folgenden Sicherheitshinweise durch, um Unfälle zu vermeiden. Jegliche Konfiguration und Verwendung, die vom vorgesehenen Gebrauch abweicht, ist von der Garantie ausgenommen.

### Vorsichtsmaßnahmen

Für eine optimale Funktion Ihres Produkts und zur Vermeidung von Schäden verwenden Sie bitte ausschließlich die Schreibgeräte, Minen, Pinzetten und Notizbücher, die von Montblanc empfohlen werden. Montblanc haftet nicht für Schäden, die aus der Verwendung anderer Schreibgeräte, Minen, Pinzetten oder Notizbücher entstehen. Wenn Sie Minen benötigen oder Ihr(e) Montblanc Produkt(e) verloren haben, wenden Sie sich bitte an eine Montblanc Boutique oder an einen autorisierten Montblanc Händler.

Bitte verwenden Sie ausschließlich original Montblanc A5 Notizbücher, die für Augmented Paper geeignet sind. Die Verwendung anderer Notizbücher kann zu Abweichungen bei der Präzision führen und die Funktion des Gerätes beeinträchtigen.

Zwängen Sie keine Gegenstände in die Spalten und Fächer. Eine Missachtung kann zu Schäden führen.

Montblanc haftet nicht für die durch die Verwendung des Gerätes entstandene Beschädigung oder den Verlust von Daten.

Reparieren Sie das Gerät nicht selbst. Für eine Wartung oder Reparatur wenden Sie sich bitte an Ihre Montblanc Boutique oder an einen autorisierten Montblanc Händler.

### Warnhinweise

Versuchen Sie nicht, das Gerät zu zerlegen, zu reparieren, zu verändern, zu öffnen, herunterfallen zu lassen, zu durchstoßen, zu zerdrücken, Gegenstände einzuführen, zu zerkleinern oder es in irgendeiner anderen Weise zu beschädigen. Vermeiden Sie hohen Druck und halten Sie es von Hitzequellen fern. Bei Missachtung dieser Vorsichtsmaßnahmen ist die Garantie ungültig und es kann zu Stromschlägen und/oder Schäden kommen bzw. es können Menschen verletzt werden.

Legen Sie keine metallischen Gegenstände auf das Gerät. Legen Sie das Gerät nicht auf metallische Gegenstände wie bspw. einen Metalltisch.

Halten Sie das Gerät von Magneten und Magnetfeldern fern. Eine Missachtung kann zu Störungen, Funktionsfehlern oder Schäden führen.

Halten Sie das Gerät fern von Flüssigkeiten, hoher Luftfeuchtigkeit, Feuchtigkeit oberhalb des angegebenen Verwendungsrahmens, offenen Flammen, erhöhten Temperaturen, starken Temperaturschwankungen, Staub, Erschütterungen, Vibrationen oder mechanischem Stress. Eine Missachtung kann zu Funktionsstörungen oder Stromschlägen führen. Sollte Flüssigkeit auf das Gerät tropfen, stoppen Sie die Anwendung, schalten Sie das Gerät aus und wenden Sie sich an eine Montblanc Boutique oder an einen autorisierten Montblanc Händler.

Das Gerät verbindet sich über Bluetooth® mit anderen Peripheriegeräten. Bitte halten Sie sich an die Bestimmungen für die Verwendung von Kommunikationsgeräten der zuständigen Obrigkeit, wenn Sie im Flugzeug reisen oder sich an Orten befinden, an denen ihr Gebrauch untersagt ist. Montblanc haftet nicht für Schäden.

Üben Sie beim Verwenden des Schreibgeräts keinen übermäßigen Druck auf die Feder aus. Vermeiden Sie die Verwendung eines beschädigten Schreibgeräts, da es zu Funktionsstörungen oder Schäden am Gerät führen kann.

Stoppen Sie die Verwendung des Geräts, wenn es sich ausdehnt, einen starken Geruch erzeugt oder heiß wird und wenden Sie sich an eine Montblanc Boutique oder an einen autorisierten Händler. Stoppen Sie die Verwendung des Geräts, wenn der Akku im Innern leckt, und vermeiden Sie jeglichen Kontakt mit Augen und Haut. Bei versehentlichem Kontakt waschen Sie die betroffenen Stellen sofort mit viel Wasser aus und suchen Sie umgehend einen Arzt auf.

Das Gerät ist kein Spielzeug. Halten Sie das Gerät und das Zubehör von kleinen Kindern fern.

Entfernen Sie das Gerät vom Ladegerät, wenn es voll aufgeladen ist und Sie es nicht benutzen. Die Garantie erstreckt sich nicht auf Schäden, die durch die Verwendung nicht sachgemäßer Ladegeräte entstehen. Verwenden Sie ausschließlich das beigefügte USB-Kabel zum Aufladen des Geräts. Behandeln Sie das USB-Kabel mit Vorsicht. Legen Sie keine Gegenstände auf das USB-Kabel, wickeln Sie es nicht zu stark auf und strapazieren Sie es nicht. Halten Sie das Kabel von Flüssigkeiten fern. Schäden am USB-Kabel können zu Funktionsstörungen, Stromschlägen oder Feuer führen.

Die Daten auf dem Gerät und die Verbindung zwischen dem Gerät und Ihrem Mobiltelefon sind nicht verschlüsselt.

### Pflegетipps

Trennen Sie das Gerät vor dem Reinigen von jeglicher Stromquelle und schalten Sie es aus. Verwenden Sie für die Reinigung ein weiches Tuch und üben Sie nur einen sanften Druck aus. Verwenden Sie keine scharfen Chemikalien, Reinigungsmittel oder Lösungsmittel. Vermeiden Sie das Eindringen von Feuchtigkeit in die Öffnungen. Derartige Schäden sind nicht von der Garantie gedeckt.

### Entsorgung

Wenn Sie dieses Produkt entsorgen möchten, wenden Sie sich bitte an die örtlichen Behörden oder Händler und fragen Sie, wie Sie das Gerät ordnungsgemäß entsorgen müssen. Im Einklang mit landesspezifischen Gesetzen kann eine nicht ordnungsgemäße Entsorgung bestraft werden.



### Montblanc Internationale Garantie

Die folgende internationale Montblanc Garantie betrifft Montblanc Produkte, die in jedem Land (inkl. der USA, Kanada und Australien) verkauft wurden oder zu Garantieleistungen vorgelegt wurden.

Zeitraum und Schäden, die von der internationalen Montblanc Garantie abgedeckt sind

Ihr Montblanc Produkt wurde nach den anspruchsvollen Qualitätsstandards von Montblanc mit höchster Sorgfalt und Pflege von unseren Handwerksmeistern mit leidenschaftlicher Hingabe geschaffen. Dennoch wird das Montblanc Produkt von dieser internationalen Montblanc Garantie vor Herstellungs- und Materialschäden geschützt. Um die hier erläuterten Garantieleistungen in Anspruch zu nehmen, wenden Sie sich bitte an eine autorisierte Montblanc Boutique, einen autorisierten Montblanc Händler oder an ein autorisiertes Montblanc Service Center, die Ihnen weltweit zur Verfügung stehen (eine ausführliche

Liste aller autorisierten Montblanc Boutiquen, Montblanc Händler und Montblanc Service Center finden Sie auf der Montblanc Website [www.montblanc.com](http://www.montblanc.com)).

Die Montblanc Garantie erstreckt sich auf Material- und Herstellungsfehler am Produkt über einen Zeitraum von zwei (2) Jahren ab Kaufdatum (die „Garantiezeit“). Bei einer Rückgabe des Produktes innerhalb der Garantiezeit wird Montblanc das beschädigte Montblanc Produkt vollständig oder in Teilen innerhalb eines angemessenen Zeitraumes, nachdem das Produkt eingereicht wurde, kostenlos reparieren oder ersetzen. Die Marke behält sich das Recht vor, Versandkosten zu berechnen. Nach Ablauf der Garantiezeit sind alle Reparaturen kostenpflichtig.

### Inanspruchnahme der Garantieleistung

Um die Leistung in Anspruch zu nehmen, bringen oder schicken Sie Ihr Montblanc Produkt zu einer autorisierten Montblanc Boutique, einem autorisierten Montblanc Händler oder einem autorisierten Montblanc Service Center wie im weiteren Verlauf erläutert. Sie tragen die Kosten für den Transport, einschließlich, aber nicht beschränkt auf Porto, Versicherung und Verpackungsmaterial. Wir empfehlen Ihnen, uns Ihre Sendungen per Einschreiben zu schicken und sie zu versichern.

Um die internationale Montblanc Garantie in Anspruch nehmen zu können, muss dem zurückgesendeten Montblanc Produkt das originale Garantiezertifikat beigefügt sein, das Sie beim Kauf des Montblanc Produktes erhalten haben. Das Zertifikat muss von einer autorisierten Montblanc Boutique oder einem autorisierten Montblanc Händler ordnungsgemäß ausgefüllt, datiert, abgestempelt und unterschrieben sein. Das Garantiezertifikat darf nur von einer autorisierten Montblanc Boutique oder einem autorisierten Montblanc Händler ausgefüllt sein.

### Ausnahmen von der internationalen Montblanc Garantie

Von der internationalen Montblanc Garantie ausgenommen sind:

- Mängel und Schäden, die durch Verlust, Diebstahl, Feuer oder durch höhere Gewalt entstanden sind.
- Mängel und Schäden, die durch Zweckentfremdung, Fahrlässigkeit oder Unfälle entstanden sind.
- Mängel und Schäden, die durch unsachgemäßen Gebrauch (Stöße, Kerben, Einklemmung usw.), Veränderungen, Eingriffe, Demontage oder Wartungen und Reparaturen durch andere Dritte als eine autorisierte Montblanc Boutique, einen autorisierten Montblanc Händler oder ein autorisiertes Montblanc Service Center entstanden sind oder aber durch die Verwendung von anderen als die von Montblanc hergestellten oder empfohlenen Bauteile oder Accessoires (bspw. Tinte in Fässern oder Tintenpatronen) verursacht wurden.
- Mängel und Schäden durch gewöhnlichen Verschleiß.
- alle Montblanc Produkte, deren Seriennummer entfernt wurde oder nicht mehr eindeutig lesbar ist oder wenn Teile des originalen Montblanc Produktes entfernt, ausgewechselt, geändert, ersetzt, gelöscht oder unkenntlich gemacht wurden.
- die regelmäßige Wartung und Reinigung.
- Batterien, Leder-, Kautschuk- und Metallarmbänder.

### Montblanc Service Kontakte

Ausschließlich autorisierten Montblanc Boutiquen, Montblanc Händlern und Montblanc Service Centern ist es gestattet, die hier beschriebenen Garantieleistungen zu erbringen. Für weitere Informationen und eine vollständige Liste der autorisierten Montblanc Boutiquen, Montblanc Händler und Montblanc Service Center gehen Sie bitte auf die Montblanc Website ([www.montblanc.com](http://www.montblanc.com)) oder wenden sich an eine der autorisierten Montblanc Boutiquen oder an einen autorisierten Montblanc Händler, die auf Ihrem Garantiezertifikat oder in Ihren Kaufunterlagen aufgeführt sind.

### EU Konformitätsinformation



Das Produkt erfüllt die Anforderungen der europäischen Richtlinien EMV, RÖTTE sowie RoHS.

### Einhaltung von Umweltstandards

#### WEEE-RICHTLINIE



Wiederverwendung, Recycling und Reparatur. Wenn Sie das Gerät durch ein neueres ersetzen oder die Nutzungsdauer des Geräts abgelaufen ist, sollten Sie das Produkt bei einer Recycling-Sammelstelle in Ihrer Nähe abgeben. Sie leisten dadurch einen aktiven Beitrag zum Umweltschutz in Ihrer Gemeinde und tragen dazu bei, dass keinerlei in dem Gerät vorhandene Schadstoffe bei der Entsorgung in die Umwelt gelangen. Gemäß der WEEE-Richtlinie und laut Vorschriften in den einzelnen Mitgliedsstaaten ist die Entsorgung von Elektro- und Elektronikschrott im normalen Hausmüll untersagt. Produkte, auf die diese Richtlinie zutreffen, sind mit dem Symbol zur Kennzeichnung von Elektro- und Elektronikgeräten am Anfang dieses Hinweises versehen, es sei denn, diese Kennzeichnung ist aufgrund des Formats oder der Funktion des Produkts nicht möglich. Produkte von Montblanc unterliegen der WEEE Richtlinie. Die Geräte sollten daher stets getrennt gesammelt und der entsprechenden Entsorgungsstelle in Ihrer Region oder Gemeinde zugeführt werden.

### Information der EU Zur Entsorgung von Batterien



Hinweis: Dieses Symbol gilt nur für EU-Staaten. Dieses Symbol wird gemäß der Richtlinie 2006/66/EG Artikel 20, Informationen für Endverbraucher, Anhang II, verwendet. Dieses Produkt wurde unter Verwendung hochwertiger Materialien und Bestandteile entwickelt und hergestellt, die recycelt und/oder wiederverwendet werden können. Dieses Symbol besagt, dass Batterien und Akkus nach ihrem Lebenszyklus nicht im Hausmüll entsorgt werden dürfen. In der Europäischen Union gibt es unterschiedliche Sammelsysteme für gebrauchte Batterien und Akkus. Bitte entsorgen Sie Batterien und Akkus vorschriftsmäßig bei Ihrer kommunalen Sammel-/Recyclingstelle. Bitte unterstützen Sie uns bei der Erhaltung unserer Umwelt! Bitte wenden sich an eine der autorisierten Montblanc Boutiquen, an einen autorisierten Montblanc Händler oder kontaktieren Sie den Montblanc Support bezüglich der Entsorgung der eingebauten Lithium-Ionen-Batterie.

### FR:

#### Sécurité

Afin de prévenir tout incident, veuillez lire attentivement les mises en garde et consignes de sécurité ci-après. La garantie ne s'applique pas en cas de configuration ou d'utilisation non conforme à celle recommandée ou prévue.

#### Précautions d'emploi

Afin de ne pas endommager votre produit et de garantir son fonctionnement optimal, veuillez à utiliser uniquement les instruments d'écriture, recharges, pinces et carnets de notes recommandés par Montblanc. La société Montblanc ne peut être tenue responsable en cas de dommages liés à l'utilisation d'autres instruments d'écriture, recharges, pinces ou carnets de notes. En cas de perte de l'un ou plusieurs de vos produits Montblanc, ou si vous avez besoin de recharges, veuillez contacter une boutique Montblanc ou un revendeur Montblanc agréé.

Veuillez utiliser des carnets de notes Montblanc A5 originaux, conçus exclusivement pour l'Augmented Paper. Outre qu'elle ne permet pas un niveau de précision équivalent, l'utilisation d'autres carnets de notes risque d'entraîner un dysfonctionnement de l'appareil.

N'essayez pas d'insérer un objet de force dans les fentes ou les poches ; vous risqueriez d'endommager l'appareil.

La société Montblanc ne peut être tenue responsable en cas de dommages ou de perte de données résultant d'une mauvaise utilisation de l'appareil.

Ne procédez pas vous-même à la révision de l'appareil. Contactez votre boutique Montblanc ou un revendeur agréé Montblanc pour sa révision ou son entretien.

#### Mises en garde

Gardez-vous de démonter, réparer, modifier, ouvrir, faire tomber, percer ou écraser l'appareil. De même, n'y insérez aucun objet et ne tentez pas de le mettre en pièces ni de l'endommager d'une quelconque manière. Évitez de soumettre l'appareil à une forte pression, de l'approcher ou de le mettre en contact direct avec une source de chaleur. Le non-respect de ces consignes annule la garantie et risque de provoquer un incendie, un choc électrique et/ou d'autres dommages, y compris des blessures corporelles.

Maintenez l'appareil à distance des aimants et des champs magnétiques afin d'éviter tout dysfonctionnement, interférence ou dommage.

Évitez tout contact de l'appareil avec un liquide et ne l'exposez pas à une forte humidité, à un taux d'humidité situé hors de la plage de fonctionnement indiquée, à une flamme nue, à une température élevée, à de fortes amplitudes thermiques, à la poussière, aux chocs, aux vibrations ou à une forte contrainte mécanique. Vous risqueriez de provoquer un dysfonctionnement de l'appareil ou de subir un choc électrique. En cas de renversement de liquide sur l'appareil, cessez son utilisation, éteignez-le puis contactez une boutique Montblanc ou un revendeur agréé Montblanc.

Cet appareil se connecte aux périphériques grâce à la technologie Bluetooth®. Veuillez observer les consignes du personnel compétent relatives aux appareils de communication lors de vos voyages en avion ou dans les lieux où leur utilisation est proscrite. La société Montblanc ne peut être tenue responsable en cas d'infraction donnant lieu à une amende.

Lors de l'utilisation du stylo, la pression exercée sur sa plume ne doit pas être excessive. Si le stylo est abîmé, évitez de l'utiliser : cela pourrait causer un dysfonctionnement de l'appareil, voire l'endommager.

Si l'appareil se dilate ou s'élargit, qu'il dégage une forte odeur ou que sa température s'accroît anormalement, interrompez son utilisation et contactez une boutique Montblanc ou un revendeur agréé Montblanc. En cas de fuite de la batterie logée à l'intérieur de l'appareil, interrompez son utilisation et évitez tout contact de ce dernier avec votre peau ou vos yeux. En cas de contact accidentel, rincez abondamment à l'eau la zone touchée et consultez immédiatement un médecin.

Cet appareil n'est pas un jouet et doit être conservé, ainsi que ses accessoires, hors de portée des jeunes enfants.

Une fois le chargement de l'appareil terminé, débranchez-le si vous ne l'utilisez pas. Les dommages résultant de l'utilisation d'un chargeur inadapté ne sont pas couverts par la garantie. Utilisez uniquement le câble USB fourni pour recharger l'appareil. Manipulez ce câble avec précaution en ne posant sur lui aucun objet, en ne le pliant pas de manière excessive, ni en le soumettant à une pression importante. Évitez tout contact du câble USB avec un liquide. Abîmé, le câble USB peut être à l'origine d'un dysfonctionnement de l'appareil, d'un choc électrique ou d'un incendie.

Les données enregistrées sur l'appareil, ainsi que la connexion entre ce dernier et votre appareil mobile, ne sont pas cryptées.

#### Consignes de nettoyage

Avant de nettoyer l'appareil, débranchez-le de sa source d'alimentation et éteignez-le. Nettoyez-le à l'aide d'un tissu doux, sans trop appuyer. N'utilisez aucun produit chimique, solution ou détergent corrosif. Évitez toute infiltration d'humidité au niveau des ouvertures. Les dommages qui en résulteraient ne sont pas couverts par la garantie.

#### Mise au rebut

Pour savoir où et comment jeter ce produit, veuillez contacter les autorités locales compétentes ou le vendeur concerné. Une mise au rebut non conforme peut être passible de sanction, selon la législation nationale en vigueur.



#### Garantie Internationale Montblanc

La présente Garantie Internationale Montblanc s'applique aux produits Montblanc vendus ou retournés au service de garantie dans n'importe quel pays (y compris les États-Unis, le Canada et l'Australie).

Produits et durée couverts par la Garantie Internationale Montblanc.

Votre Produit Montblanc a été fabriqué dans le respect le plus strict des normes de qualité Montblanc, avec toute la patience et le soin de nos artisans les plus dévoués. Néanmoins, le Produit Montblanc est couvert par la présente Garantie Internationale Montblanc pour tout défaut de fabrication ou de matériaux. Veuillez contacter l'une des boutiques, revendeurs agréés ou centres de service Montblanc présents partout dans le monde (liste complète disponible sur le site Montblanc [www.montblanc.com](http://www.montblanc.com)) pour bénéficier du présent service de garantie.

Montblanc garantit ses produits pour les défauts de matériaux ou de fabrication pendant une période de deux (2) ans à partir de la date d'achat (ci-après dénommée «Période de Garantie»). Si le produit est retourné pendant la Période de Garantie, Montblanc s'engage à réparer ou à remplacer gratuitement tout produit ou élément Montblanc défectueux dans un délai raisonnable après réception, sous réserve de facturation des frais d'expédition. Après expiration de la Période de Garantie, tout service de réparation est facturé.

#### Comment bénéficier du service

Vous pouvez bénéficier du service en apportant ou en envoyant votre produit Montblanc à votre boutique, votre revendeur agréé ou votre centre de service Montblanc selon les modalités énoncées ci-dessous. Vous êtes responsable des coûts de transport, incluant (mais sans s'y limiter) les frais postaux, l'assurance et l'emballage. Nous vous recommandons d'accompagner tout colis qui nous est adressé d'un accusé de réception et d'une assurance. Afin de bénéficier de la Garantie Internationale Montblanc pour ce service, le produit Montblanc retourné doit être accompagné de son Certificat de Garantie original, fourni avec le produit au moment de l'achat, dûment rempli, daté, tamponné et signé par une boutique Montblanc ou un revendeur Montblanc agréé. Ce Certificat de Garantie peut seulement être rempli par une boutique Montblanc ou un revendeur Montblanc agréé.

Ce qui n'est pas couvert par la Garantie Internationale Montblanc

La Garantie Internationale Montblanc ne couvre pas :

- les défauts et les dégâts liés à la perte, le vol, l'incendie ou toute autre cause hors de notre contrôle ;
- les défauts et les dégâts résultant d'une mauvaise utilisation, d'une négligence ou d'un accident ;
- les défauts et les dégâts résultant d'un usage impropre (chocs, cabossage, écrasement, etc.), de modifications, retouches, désassemblage ou services et réparations effectués par un agent autre qu'une boutique, un revendeur ou un centre de services Montblanc agréés, ou par l'utilisation de composants et d'accessoires (tels que des flacons d'encre ou des cartouches) autres que ceux fabriqués ou recommandés par Montblanc ;
- les défauts et les dégâts liés à une usure et une détérioration normales ;
- tout produit Montblanc dont le numéro de série a été retiré ou n'est pas clairement lisible, ou tout produit Montblanc dont une partie a été enlevée, changée, altérée, remplacée, effacée ou défigurée ;
- les réparations de routine et le nettoyage ;
- les batteries, les bracelets en cuir, en caoutchouc et en métal.

#### Contacts service Montblanc

Seuls les boutiques, revendeurs et centres de service Montblanc agréés sont habilités à fournir les présents services de garantie. Pour de plus amples informations et pour une liste complète des boutiques Montblanc, des revendeurs Montblanc et des centres de service Montblanc agréés, rendez-vous sur le site Montblanc [www.montblanc.com](http://www.montblanc.com), ou bien adressez-vous à la boutique ou au revendeur Montblanc agréés figurant sur votre Certificat de Garantie ou sur votre preuve d'achat.

## Déclarations de Conformité

### Conformité FCC

Cet appareil est conforme à la section 15 de la réglementation FCC. Son fonctionnement est soumis aux deux conditions suivantes : (1) cet appareil ne peut causer d'interférences néfastes, et (2) il doit accepter la réception de toutes interférences, y compris celles susceptibles de perturber son fonctionnement. Ce produit a été vérifié et réceptionné conformément aux prescriptions relatives aux appareils numériques de classe B, selon la section 15 de la réglementation FCC. Ces prescriptions sont destinées à fournir, dans le cas d'une installation domestique, un niveau de protection approprié contre de telles interférences. L'équipement décrit dans le présent manuel génère, utilise et peut émettre des fréquences radio. S'il n'est pas installé et utilisé correctement, il risque d'entraîner des interférences dans la réception radio et télévision. L'absence d'interférences n'est toutefois pas garantie dans certaines installations. Vous pouvez déterminer si la tablette provoque des interférences en la déconnectant de l'ordinateur. Si les interférences cessent, elles sont probablement provoquées par le matériel. Si votre matériel perturbe la réception des signaux de radio ou de télévision, les mesures suivantes peuvent aider à résoudre ce problème :

- Modifiez l'orientation de l'antenne du téléviseur ou de la radio jusqu'à ce que les interférences cessent.
- Éloignez davantage le matériel du téléviseur ou de la radio.
- Branchez l'ordinateur et le matériel sur une prise secteur appartenant à un circuit différent de celui du téléviseur ou de la radio.

Le cas échéant, consultez votre revendeur. Montblanc agréé ou un technicien radio/télévision expérimenté. Tout changement ou modification apporté à ce produit et non autorisé par Montblanc peut rendre la certification FCC nulle et non avenue et entraîner l'expiration de l'autorisation d'exploitation du produit.

### Déclaration FCC relative à l'exposition aux radiations

Cet équipement est conforme aux limites de la FCC relatives à l'exposition aux rayonnements précisés pour un environnement non contrôlé. Les utilisateurs finaux doivent respecter les instructions d'utilisation concernant la conformité en matière d'exposition aux radiofréquences. Ce transmetteur ne doit pas être placé près d'une autre antenne ou émetteur, et il ne doit pas être utilisé en conjonction avec ces derniers.

### Industrie Canada

Le présent appareil est conforme aux CNR d'Industrie Canada applicables aux appareils radio exempts de licence. L'exploitation est autorisée aux deux conditions suivantes :  
1) l'appareil ne doit pas produire de brouillage;  
2) l'utilisateur de l'appareil doit accepter tout brouillage radioélectrique subi, même si le brouillage est susceptible d'en compromettre le fonctionnement.

### Déclaration d'exposition aux radiations

Le produit est conforme aux limites d'exposition pour les appareils portables RF pour les États-Unis et le Canada établies pour un environnement non contrôlé. Le produit est sûr pour un fonctionnement tel que décrit dans ce manuel. La réduction aux expositions RF peut être augmentée si l'appareil peut être conservé aussi loin que possible du corps de l'utilisateur ou que le dispositif est réglé sur la puissance de sortie la plus faible si une telle fonction est disponible.

### Information de Conformité UE



Le produit est conforme aux exigences des directives européennes EMC, R&TTE et RoHS.

## Conformité avec les Normes Environnementales

### WEEE



Réutilisation, recyclage et récupération. Une fois en fin de vie ou après son remplacement par un produit plus récent, il est fortement conseillé de recycler ce produit en le déposant dans un point de collecte de matériaux recyclables de votre région. Ce faisant, vous aiderez à protéger l'environnement et minimiserez les effets négatifs causés par d'éventuels écoulements de substances dangereuses lors de la mise au rebut. Au sein de l'Union Européenne, il est interdit aux utilisateurs de jeter les déchets d'équipements électriques et électroniques avec les ordures ménagères non triées, conformément à la Directive WEEE, ou aux lois équivalentes des États membres. Les produits concernés sont dotés du symbole WEEE illustre au début de cette remarque, sauf impossibilité due à la taille ou à la fonction du produit. Les produits Montblanc sont soumis à la Directive WEEE et doivent donc être mis au rebut séparément, dans un point de collecte de votre région.

### Informations Concernant la mise au rebut des Batteries au sein de l'Union Européenne



Remarque : ce symbole n'est utilisé que dans les pays de l'UE. Ce symbole est conforme à la directive 2006/66/CE Article 20 Informations pour l'utilisateur final et Annexe II. Votre produit a été conçu et fabriqué avec des composants et des matériaux de haute qualité qui peuvent être recyclés et/ou réutilisés. Ce symbole signifie que les batteries et les piles, lorsqu'elles sont usées, doivent être jetées séparément des déchets ménagers. Dans l'Union européenne, il existe des systèmes de collecte spécifiques pour les batteries et les piles usagées. Veuillez jeter correctement vos piles et vos batteries au centre de collecte ou de recyclage le plus proche. Merci de nous aider à protéger l'environnement dans lequel nous vivons !

Élimination de la batterie au lithium-ion intégrée

Veuillez contacter l'assistance de Montblanc pour l'élimination de la batterie au lithium-ion intégrée.

### IT:

#### Sicurezza

Per evitare incidenti, leggere attentamente le seguenti avvertenze e le informazioni di sicurezza. Qualsiasi configurazione o utilizzo diverso da quello previsto e suggerito non è coperto né garantito.

#### Precauzioni

Onde garantire le migliori prestazioni del prodotto ed evitare danni, utilizzare unicamente strumenti da scrittura, pinzette, refill e blocchi note raccomandati da Montblanc. Montblanc non sarà ritenuta responsabile dei danni derivanti dall'uso di altri strumenti da scrittura, refill, pinzette o blocchi note. Qualora necessitasse di refill, o dovesse perdere il suo prodotto (o i suoi prodotti) Montblanc, si rivolga a una Boutique Montblanc o a un Rivenditore Autorizzato Montblanc.

Utilizzi solo Blocchi Note A5 originali Montblanc realizzati esclusivamente per Augmented Paper. L'utilizzo di altri blocchi note può compromettere l'accuratezza e causare il malfunzionamento del dispositivo.

Non inserire forzatamente articoli nelle tasche e nelle aperture. Il mancato rispetto di questi accorgimenti può causare danni.

Montblanc non sarà ritenuta responsabile dei danni o delle perdite di dati causati dall'uso del dispositivo.

Non effettuare riparazioni sul dispositivo di propria iniziativa. Per interventi di riparazione o di manutenzione, rivolgersi esclusivamente alla propria Boutique Montblanc o a un Rivenditore Autorizzato Montblanc.

#### Avvertenze

Non smontare, riparare, modificare, aprire, perforare, schiacciare, o far cadere il dispositivo. Inoltre, non cercare mai di inserirvi oggetti, né di farlo a pezzi o danneggiarlo. Evitare di esercitare una pressione eccessiva sul dispositivo, o di posizionarlo vicino a, o direttamente sopra, fonti di calore. Il mancato rispetto di queste avvertenze annulla gli effetti della garanzia e può causare incendi, scariche elettriche e/o altri danni, fra cui infortuni alle persone.

Non posizionare oggetti metallici sul dispositivo, né sistemare il dispositivo sopra oggetti metallici come ad esempio tavoli di metallo.

Tenere il dispositivo lontano da magneti e da campi magnetici. Il mancato rispetto di questi accorgimenti può causare interferenze, malfunzionamento e danni.

Non esporre il dispositivo alle seguenti condizioni: liquidi, eccessiva umidità, tassi di umidità superiori alle condizioni d'uso specificate, fiamme libere, temperature elevate, eccessivi sbalzi di temperatura, polvere, urti, vibrazioni o sollecitazioni meccaniche. Il mancato rispetto di questi accorgimenti può causare un malfunzionamento o scariche elettriche. Nel caso in cui il dispositivo entri in contatto con del liquido, smettere di usarlo, spegnerlo e rivolgersi a una Boutique Montblanc o a un Rivenditore Autorizzato Montblanc.

Questo dispositivo si connette a unità periferiche mediante tecnologia Bluetooth®. Attenersi alle linee guida per i dispositivi di comunicazione fornite dalle autorità durante i voli aerei, o nei luoghi in cui il loro uso è proibito. Montblanc non sarà ritenuta responsabile di eventuali danni.

Quando si usa la penna, non esercitare eccessiva pressione sul pennino. Se la penna è danneggiata, evitare di usarla poiché potrebbe causare un malfunzionamento o danni al dispositivo.

Se il dispositivo tende a gonfiarsi o a espandersi, se emette un forte odore o diventa caldo al tatto, smettere di usarlo e rivolgersi a una Boutique Montblanc o a un Rivenditore Autorizzato Montblanc. Se la batteria all'interno del dispositivo presenta delle perdite, smettere di usare il dispositivo ed evitare che entri in contatto con la pelle o gli occhi. In caso di contatto accidentale, sciacquare abbondantemente la zona colpita con acqua e rivolgersi subito al proprio medico.

Il dispositivo non è un giocattolo. Tenere il dispositivo e gli accessori fuori dalla portata dei bambini

Una volta che il dispositivo è completamente carico, non lasciarlo attaccato alla corrente se non si usa. I danni derivanti dall'uso di un caricabatterie inappropriato non sono coperti dalla garanzia. Usare solo il cavo USB incluso per caricare il dispositivo. Maneggiare con cura il cavo USB. Non posizionare oggetti sul cavo USB, non piegarlo troppo e non applicarvi pesi. Tenere il cavo lontano da liquidi.

I danni al cavo USB possono causare malfunzionamento, scariche elettriche o incendi.

I dati sul dispositivo, nonché la connessione fra il dispositivo e il dispositivo mobile, non sono criptati.

#### Istruzioni per la pulizia

Prima di pulire il dispositivo, scollegarlo da qualunque presa di corrente e spegnerlo. Usare solo un panno morbido ed esercitare una pressione delicata durante la pulizia. Non usare sostanze chimiche, detersivi o soluzioni aggressive. Evitare che le aperture e le cavità restino umide. Tali danni non sono coperti dalla garanzia.

#### Smaltimento

Se si desidera gettare questo prodotto, rivolgersi alle autorità locali o al rivenditore per conoscere il modo più opportuno per smaltirlo. Qualora tali rifiuti non vengano smaltiti in base alla legge nazionale vigente, è possibile incorrere in multe.



#### Garanzia Internazionale Montblanc

La presente Garanzia Internazionale Montblanc è riconosciuta al cliente per Prodotti Montblanc acquistati o presentati in assistenza sotto garanzia in qualsiasi Paese (inclusi Stati Uniti d'America, Canada e Australia).

Copertura e durata della Garanzia Internazionale Montblanc Il Suo Prodotto Montblanc è stato realizzato con estrema cura e dedizione dai nostri artigiani secondo gli elevati standard qualitativi di Montblanc. I Prodotti Montblanc sono comunque coperti dalla presente Garanzia Internazionale Montblanc nell'eventualità di difetti di fabbricazione o materiali difettosi. Per usufruire dei servizi in garanzia riportati di seguito, si prega di rivolgersi a una Boutique Montblanc, a un rivenditore Montblanc o a un Centro Servizi Montblanc autorizzati in tutto il mondo (per l'elenco completo delle Boutique Montblanc, dei rivenditori Montblanc e dei Centri Servizi autorizzati, visitare il sito Montblanc [www.montblanc.com](http://www.montblanc.com)).

Montblanc garantisce i suoi prodotti da difetti di fabbricazione o materiali difettosi per un periodo di due (2) anni dalla data di acquisto ("periodo di garanzia"). Qualora il prodotto venga restituito durante il periodo di garanzia, Montblanc si impegna a riparare o sostituire gratuitamente il Prodotto Montblanc difettoso o parte di esso entro un lasso di tempo ragionevole dal momento della restituzione del prodotto, riservandosi il diritto di addebitare eventuali spese di spedizione. Trascorso il periodo di garanzia, gli interventi di riparazione saranno soggetti all'addebito delle spese di assistenza.

#### Ricevere assistenza

È possibile ricevere assistenza portando o inviando il Prodotto Montblanc a una Boutique Montblanc, a un rivenditore Montblanc o a un Centro Servizi Montblanc autorizzati, come specificato nella presente guida. Le spese di trasporto sono a carico del cliente, inclusi eventuali costi aggiuntivi come spese postali, assicurative o di imballaggio. Montblanc raccomanda di effettuare la spedizione tramite raccomandata e con copertura assicurativa.



La presente Garanzia Internazionale Montblanc può essere fatta valere restituendo il Prodotto Montblanc unitamente al Certificato di Garanzia originale rilasciato al momento dell'acquisto del Prodotto Montblanc. Il Certificato di Garanzia deve essere compilato in ogni sua parte e riportare la data di acquisto, il timbro e la firma di una Boutique Montblanc o di un rivenditore Montblanc autorizzati. Solo le Boutique Montblanc o i rivenditori Montblanc autorizzati possono compilare tale Certificato di Garanzia.

#### Esclusioni dalla Garanzia Internazionale Montblanc

Sono esclusi dalla presente Garanzia Internazionale Montblanc

- difetti e danni dovuti a smarrimento, furto, incendio o altre cause fuori dal nostro controllo;
- difetti e danni dovuti a uso anomalo, negligenza o incidenti;
- difetti e danni dovuti a uso improprio (urti, ammaccature, forti pressioni ecc.), modifiche, manomissioni, smontaggio o interventi e riparazioni non eseguiti da personale di Boutique Montblanc, rivenditori Montblanc o Centri Servizi Montblanc autorizzati, oppure impiegando componenti o accessori (come boccette o cartucce d'inchiostro) non originali o non consigliati da Montblanc;
- difetti e danni dovuti a normale usura;
- Prodotti Montblanc il cui numero seriale è stato rimosso o non è più leggibile, o che hanno subito la rimozione, la modifica, l'alterazione, la sostituzione, l'eliminazione o la deturpazione di una o più componenti;
- regolari interventi di manutenzione e pulizia;
- celle delle batterie, cinturini in pelle, bracciali in caucciù e metallo.

#### Contatti Servizi Montblanc

Sono autorizzati a prestare servizi in garanzia come specificato nella presente guida unicamente le Boutique Montblanc, i rivenditori Montblanc e i Centri Servizi Montblanc autorizzati. Per maggiori informazioni e per l'elenco completo delle Boutique Montblanc, dei rivenditori Montblanc e dei Centri Servizi Montblanc autorizzati, visitare il sito [www.montblanc.com](http://www.montblanc.com) o rivolgersi alla Boutique Montblanc o al rivenditore Montblanc indicati nel Certificato di Garanzia o nei documenti di acquisto.

#### Dichiarazione de Legge Informazioni di Conformità UE



Il prodotto corrisponde alle esigenze delle direttive europee EMC, R&TTE e RoHS.

#### INFORMAZIONI SULLO SMALTIMENTO E SUL RICICLAGGIO

Riutilizzo, riciclaggio e recupero. In caso di sostituzione del presente prodotto con una versione più recente o al termine della durata di utilizzo del prodotto stesso, siete pregati di riciclarlo smaltendolo in un centro di raccolta per materiali riciclabili presente nel vostro comune o nella vostra regione. Così facendo, contribuirete al miglioramento dell'ambiente, riducendo al minimo i potenziali effetti negativi causati da sostanze pericolose che potrebbero essere presenti nei materiali di scarto e che potrebbero andare disperse nell'ambiente durante il processo di smaltimento. All'interno dell'Unione Europea, gli utenti non possono smaltire rifiuti di apparecchiature elettriche ed elettroniche come rifiuti comunali non differenziati, come indicato nella Direttiva WEEE, o dalla legislazione corrispondente nei singoli Stati Membri. I prodotti per cui è applicabile tale direttiva saranno contrassegnati con il simbolo WEEE, mostrato all'inizio della presente nota, fatta eccezione per i prodotti le cui dimensioni e/o

funzioni non siano compatibili con suddetto simbolo. I prodotti Montblanc sono soggetti alla Direttiva WEEE, e pertanto devono sempre essere smaltiti separatamente e portati in un centro di raccolta idoneo presente nel vostro comune o nella vostra regione.

#### Informazioni UE sullo Smaltimento delle Batterie



Nota: questo marchio è valido solo per i Paesi UE ed è conforme alla direttiva 2006/66/CE Articolo 20 Informazioni per utenti finali e allegato II. Il prodotto è stato progettato e fabbricato con materiali e componenti di alta qualità, che possono essere riciclati e/o riutilizzati. Questo simbolo indica che le batterie e gli accumulatori, al termine della loro vita utile, devono essere smaltiti separatamente dai rifiuti domestici. In Unione Europea, vi sono sistemi di raccolta separata per batterie e accumulatori utilizzati. Smaltire batterie e accumulatori correttamente presso centri di riciclo/raccolta rifiuti locali. Aiutaci a rispettare l'ambiente in cui viviamo!

Smaltimento della batteria agli ioni di litio incorporata Per lo smaltimento della batteria agli ioni di litio incorporata, si prega di contattare il supporto tecnico Montblanc.

#### ES:

#### Seguridad

Para evitar incidentes, lea detenidamente la siguiente información de advertencia y seguridad. Las configuraciones o un uso distintos a lo previsto o estipulado no están ni cubiertos ni garantizados.

#### Precauciones

Para garantizar un funcionamiento óptimo de su producto y evitar daños, utilice únicamente los artículos de escritura, recambios, pinzas y cuadernos recomendados por Montblanc. Montblanc no se hace responsable de los daños causados por el uso de otros artículos de escritura, recambios, pinzas o cuadernos. Contacte con una Boutique Montblanc o un distribuidor autorizado si necesita comprar recambios o si pierde algún producto Montblanc.

Solo utilice los cuadernos Montblanc A5 originales para el papel aumentado. La precisión será diferente con otros cuadernos y el dispositivo puede funcionar incorrectamente.

No fuerce los artículos en las ranuras y compartimentos. El incumplimiento de esta recomendación puede causar daños.

Montblanc no será responsable de los daños o pérdidas de datos causados por el uso del dispositivo.

No repare el dispositivo usted mismo(a). Para la reparación y el mantenimiento, contacte con una Boutique Montblanc o un distribuidor autorizado.

#### Advertencias

No desmonte, repare, modifique, abra, deje caer, perfore, triture, inserte objetos, parta ni trate de dañar de forma alguna el dispositivo. Evite someterlo a una presión elevada o colocarlo cerca de una fuente de calor. El incumplimiento de esta recomendación dejará la garantía sin validez y podría provocar un incendio, descargas eléctricas y/u otros daños, incluyendo lesiones personales.

No coloque objetos metálicos en el dispositivo, ni coloque el dispositivo en la superficie de objetos metálicos, por ejemplo, mesas metálicas. Mantenga el dispositivo alejado de imanes y campos magnéticos, con ello evitará interferencias, daños y un mal funcionamiento.

No permita que el dispositivo entre en contacto con líquidos, ni lo exponga a una excesiva humedad, o a rangos de humedad que superen las condiciones específicas de uso, llamas abiertas, temperaturas elevadas, fluctuaciones severas de temperatura, polvo, choque, vibración o tensión mecánica. De lo contrario, puede provocar el mal funcionamiento del dispositivo o una descarga eléctrica. En el caso de que se derrame líquido en el dispositivo, deje de usarlo, apáguelo y contacte con una Boutique Montblanc o un distribuidor autorizado de Montblanc.

Este dispositivo se conecta a los periféricos que utilizan la tecnología Bluetooth®. Respete las instrucciones oficiales relativas a los dispositivos de comunicación cuando viaje en avión o en lugares donde su uso esté prohibido. Montblanc no se hace responsable de los daños.

Al usar el artículo de escritura, no ejerza una presión excesiva en la punta. Si el artículo de escritura está dañado, no lo utilice, ya que puede causar un mal funcionamiento o daños en el dispositivo.

Si el dispositivo se hincha o expande, emite un olor fuerte, o está caliente al tacto, deje de usarlo y contacte con una Boutique Montblanc o un distribuidor autorizado de Montblanc. Si la batería del dispositivo tiene fugas, no lo utilice y no permita que el dispositivo entre en contacto con la piel o los ojos. En caso de contacto accidental, lave la zona afectada con agua abundante y solicite asistencia médica inmediatamente.

El dispositivo no es un juguete. Mantenga el dispositivo y los accesorios fuera del alcance de los niños. Cuando el dispositivo esté completamente cargado, no lo deje conectado si no está en uso. Los daños causados por el uso de un cargador inapropiado no están cubiertos por la garantía. Para cargar el dispositivo utilice únicamente el cable USB suministrado. Manipule el cable USB con cuidado. No coloque objetos sobre el cable USB, no lo doble ni ejerza ninguna presión. No permita que el cable entre en contacto con líquidos. Un cable USB dañado puede causar un mal funcionamiento, una descarga eléctrica o un incendio.

Los datos en el dispositivo, así como la conexión entre el dispositivo y su dispositivo móvil no están cifrados.

#### Instrucciones de limpieza

Antes de limpiar el dispositivo, desconéctelo de toda fuente de energía y apáguelo. Al limpiar el dispositivo, utilice solo un paño suave, aplicando una ligera presión. No utilice productos químicos, detergentes o soluciones abrasivas. Evite que entre humedad por las aberturas. Este daño no está cubierto por la garantía.

#### Eliminación de desechos

Si desea deshacerse de este producto, contacte con las autoridades locales o con el distribuidor para conocer el método correcto de eliminación. De conformidad con su legislación nacional, podrán aplicarse sanciones por la eliminación incorrecta de residuos.



#### Garantía Internacional Montblanc

La siguiente Garantía Internacional Montblanc se aplica a los Productos Montblanc vendidos o presentados para un servicio de garantía en cualquier país (incluyendo Estados Unidos, Canadá y Australia). Lo que cubre la Garantía Internacional Montblanc y su periodo de validez

Su Producto Montblanc ha sido elaborado conforme a los estándares de calidad Montblanc más elevados. Es fruto del trabajo meticuloso y persistente de nuestros dedicados artesanos. A pesar de estos cuidados, todo Producto Montblanc está cubierto por una Garantía Internacional Montblanc contra eventuales defectos de fabricación y de materiales. Póngase en contacto con una de las boutiques Montblanc, uno de los distribuidores autorizados Montblanc o uno de los centros de servicio Montblanc en todo el mundo (para conocer la lista completa de boutiques, distribuidores y centros de servicio Montblanc autorizados, consulte el sitio Web

Montblanc [www.montblanc.com](http://www.montblanc.com)), quienes podrán suministrarle el servicio de garantía como se define en este documento.

Montblanc garantiza sus productos contra los defectos de materiales y/o fabricación durante un periodo de dos (2) años a partir de la fecha de compra (el "Periodo de garantía"). Si el producto es enviado a Montblanc durante el Periodo de garantía, Montblanc realizará la reparación sin coste o cambiará el Producto Montblanc en un plazo razonable a partir de la devolución del producto, y se reserva el derecho de facturar los gastos de envío. Terminado el Periodo de garantía, todas las reparaciones serán facturadas.

#### Para obtener un servicio

Para obtener un servicio, debe llevar o enviar su Producto Montblanc a su boutique Montblanc autorizada, un distribuidor Montblanc autorizado o un centro de servicio Montblanc, como se indica en la presente guía de servicio. Los costes de transporte, incluyendo, entre otros, el porte, el seguro y los materiales de embalaje, son su responsabilidad. Si va a enviar su Producto Montblanc, le recomendamos que lo haga mediante correo certificado con un seguro.

Para que se aplique la Garantía Internacional Montblanc, debe enviar su Producto Montblanc con el Certificado de Garantía original, entregado con el producto en el momento de la compra, debidamente cumplimentado, fechado, sellado y firmado por la boutique Montblanc autorizada o el distribuidor Montblanc autorizado. El Certificado de Garantía sólo puede ser cumplimentado por una boutique Montblanc autorizada o un distribuidor Montblanc autorizado.

Lo que no cubre la Garantía Internacional Montblanc

La Garantía Internacional Montblanc no cubre:

- defectos y daños por causa de pérdida, robo, fuego u otras causas ajenas a nuestro control;
- defectos y daños producidos por un uso indebido, negligencia o accidente;
- defectos y daños que resultan de accidentes o uso indebido (golpes, mellas, deformaciones, etc.), modificaciones, manipulaciones, desmontajes, servicios o reparaciones no efectuados por una boutique Montblanc autorizada, un distribuidor Montblanc autorizado o un centro de servicio Montblanc, o por el uso de componentes y accesorios (tintero o cartuchos, por ejemplo) que no sean los producidos o recomendados por Montblanc;
- defectos y daños que resultan del desgaste normal;

- (e) ningún Producto Montblanc en el que el número de serie haya sido borrado o no sea claramente legible, o al que se haya retirado, cambiado, alterado, reemplazado, borrado o deformado algún componente original;
- (f) mantenimiento de rutina o limpieza;
- (g) pilas, correas de piel, caucho y brazaletes de metal.

#### Contactos de servicio Montblanc

Las boutiques, distribuidores y centros de servicio Montblanc autorizados son los únicos que pueden proporcionar un servicio de garantía como se define en el presente documento. Si desea más información y la lista completa de boutiques, distribuidores y centros de servicio Montblanc autorizados, consulte el sitio Web de Montblanc [www.montblanc.com](http://www.montblanc.com) o diríjase a la boutique Montblanc autorizada o al distribuidor Montblanc autorizado que figura en su Certificado de Garantía o en el documento de venta.

#### Declaraciones Reglamentarias Información de Conformidad UE



El producto corresponde a las exigencias de las directivas europeas EMC, R&TTE y RoHS.

#### Mexico IFETEL aviso:

La operación de este equipo está sujeta a las siguientes dos condiciones: (1) es posible que este equipo o dispositivo no cause interferencia perjudicial y (2) este equipo o dispositivo debe aceptar cualquier interferencia, incluyendo la que pueda causar su operación no deseada.

#### Conformidad Medioambiental

##### WEEE



Reutilización, reciclado y recuperación. Le recomendamos que recicle este producto cuando lo sustituya por uno nuevo o cuando haya pasado su periodo de vida útil. Para ello, llévelo a un punto de recogida de materiales para reciclaje de su localidad o comarca. Al hacerlo, ayudará a mejorar el medioambiente de su localidad, así como a reducir los posibles efectos negativos que se produzcan por cualquier sustancia presente en los materiales de desecho que entre en contacto con el medioambiente durante el proceso de eliminación. En la Unión Europea, los usuarios no deben desechar equipos electrónicos y eléctricos como un vertido municipal, según lo estipulado en la directiva WEEE, o en las leyes locales correspondientes de cada estado miembro.

Los productos a los que se les aplica esta instrucción están marcados con el símbolo WEEE que aparece al principio de esta nota, a menos que no sea posible por el tamaño o la función del producto. Los productos Montblanc están sujetos a la directiva WEEE y, por tanto, deberá separarlos y llevarlos al punto de recogida adecuado de su localidad o provincia.

#### Información sobre Eliminación de Baterías en la UE



Nota: Este símbolo solo es válido para países de la UE.

El símbolo está conforme con el artículo 20 (Información para usuarios finales) y el anexo II de la Directiva 2006/66/CE. El producto ha sido diseñado y fabricado con materiales y componentes de alta calidad que pueden ser reciclados o reutilizados. Este símbolo indica que las pilas y acumuladores no deben ser eliminados junto con la basura doméstica al finalizar su vida útil. La Unión Europea cuenta con sistemas de recogida selectiva de pilas y acumuladores usados. Elimine debidamente las pilas y acumuladores en un centro de reciclaje/recogida de residuos de su municipio. ¡Ayúdenos a conservar el medio ambiente en el que vivimos!

#### Eliminación de la batería de iones de litio incorporada

Por favor, póngase en contacto con el servicio de atención al cliente de Montblanc para eliminar la batería de iones de litio incorporada.

#### KR:

##### 안전

사고 예방을 위해 다음 경고문과 안전 관련 정보를 주의 깊게 읽어 주십시오. 사용 목적에 부합되지 않는 구성이나 사용법은 보증 서비스로 보장되지 않습니다.

##### 주의

제품을 최상의 상태로 유지하고 제품 손상을 방지하기 위하여, 몽블랑에서 권고하는 필기구와 교체용 리필, 핀셋, 노트만을 사용해야 합니다. 몽블랑은 그 외 필기구와 교체용 리필, 핀셋이나 노트 사용으로 인한 어떠한 손상에도 책임지지 않습니다. 교체용 리필이 필요하거나 몽블랑 제품을 잃어버린 경우, 몽블랑 부티크나 공식 판매점으로 문의하시기 바랍니다.

오그멘티드 페이퍼만을 위해 제작된 몽블랑의 A5 노트를 사용하십시오. 다른 노트를 사용하면 정확성이 달라질 수 있으며, 이는 제품 고장으로 이어질 수 있습니다.

슬롯이나 포켓에 아이টে를 강제로 넣지 마십시오. 이러한 행동은 제품 손상으로 이어질 수 있습니다.

몽블랑은 장치 사용으로 인한 데이터 손상이나 손실에 대한 책임 을 지지 않습니다.

장치를 직접 고치지 마십시오. 장치에 대한 서비스나 유지보수가 필요하다면, 몽블랑 부티크나 공식 판매점에 문의하시기 바랍니다.

##### 경고

장치를 분해, 수리, 변형, 열기, 떨어뜨리기, 구멍 내기, 부수기, 물건을 넣거나 자르기 등을 삼가고, 어떠한 방식으로든 장치에 손상을 가하지 마십시오. 장치에 강한 압력을 가하거나 열에 가까이 두지 마십시오. 이러한 행동으로 보증은 무효가 될 수 있으며, 화재, 전기 충격 및/또는 부상을 포함한 다른 피해를 일으킬 수 있습니다.

장치 위에 금속성 물건을 두거나 금속 테이블과 같은 금속성 물건 위에 장치를 두지 마십시오.

장치를 자석이나 자기장 가까이 두지 마십시오. 이러한 행동은 전자 방해, 제품 고장 또는 손상으로 이어질 수 있습니다.

액체와 높은 습도, 명시된 사용 조건을 초과하는 습도 범위, 화염, 높은 온도, 극심한 온도 변화, 먼지, 충격, 진동이나 기계적 응력에 장치를 노출하지 마십시오. 이러한 행동은 제품 고장이나 전기 충격으로 이어질 수 있습니다. 장치에 액체를 쏟은 경우, 장치 사용을 중단하고 전원을 끈 후, 몽블랑 부티크나 공식 판매점에 문의하시기 바랍니다.

이 장치는 블루투스® 기술을 사용하고 있는 주변 장치에 연결됩니다. 비행기로 여행 중이거나 장치 사용이 금지된 장소에서 사용할 때는 공식적으로 권고되는 커뮤니케이션 장치에 대한 가이드라인을 따라야 합니다. 몽블랑은 어떠한 손상에도 대해서도 책임 지지 않습니다.

펜을 사용할 때는 눈에 과도한 압력을 가하지 마십시오. 펜이 손상되면, 장치의 고장이나 손상을 야기할 수 있으므로 사용을 중단합니다.

장치가 팽창 및 확장되기 시작하거나, 강력한 냄새를 내뿜거나, 만질 때 뜨겁다면, 사용을 중단하고 몽블랑 부티크나 공식 판매점에 문의하시기 바랍니다. 장치 내 배터리가 샌다면, 사용을 중단하고 피부나 눈에 장치를 접촉하지 마십시오. 잘못해서 장치에 접촉한 경우, 많은 양의 물로 접촉된 부위를 세척하고 즉시 의사의 도움을 받아야 합니다.

장치가 완전히 충전되면, 사용 중이 아닐 때는 플러그를 꽂아둔 채로 두지 마십시오. 적합하지 않은 충전기 사용으로 인한 손상은 보장되지 않습니다. 장치를 충전할 때는 동봉된 USB 케이블만을 사용해야 합니다. USB 케이블은 조심히 취급해야 합니다. USB 케이블 위에 물건을 올려두거나 과하게 구부리거나 과도한 압박을 가하지 마십시오. 케이블은 액체가 닿지 않는 곳에 보관합니다. USB 케이블 손상은 고장이나 전기 충격 또는 화재의 원인이 될 수 있습니다.

장치의 데이터뿐만 아니라 장치와 모바일 장치 간 연결은 암호화되어 있지 않습니다.

##### 세척 방법

장치 세척 전에 장치가 전기에 연결되어 있다면 이를 차단하고 장치의 전원을 끄니다. 부드러운 천만을 사용하고 가벼운 압력을 가해 세척합니다. 강한 화학 제품이나 세제, 솔루션을 사용하지 마십시오. 입구에 습기가 차지 않도록 합니다. 이러한 손상은 보증 서비스로 보장되지 않습니다.

##### 폐기

이 제품을 폐기하려면, 현지 당국이나 몽블랑 판매처에 올바른 폐기 방법을 문의하시기 바랍니다. 올바른 방법으로 폐기하지 않으면, 해당 국가의 법률에 따라 벌금이 적용될 수 있습니다.



##### 몽블랑 국제 보증

아래 몽블랑 국제 보증은 보증 서비스를 위해 소개되거나 판매되는 몽블랑 제품에 적용되며, 모든 국가에 제공됩니다(미국, 캐나다, 호주 포함).

##### 몽블랑 국제 보증의 제품 내용과 보증 기간

귀하의 몽블랑 제품은 몽블랑의 높은 품질 표준에 따라 몽블랑의 숙련된 장인들의 세심한 정성과 오랜 시간의 작업을 거쳐 제작되었습니다. 그럼에도 불구하고 제조 과정이나 소재에서 발생할 수 있는 결함에 대비하여, 몽블랑 제품에는 몽블랑 국제 보증이 제공됩니다. 전 세계에 위치한 공식 인증 몽블랑 부티크나 몽블랑 판매처, 몽블랑 서비스 센터 중 한 곳에 문의하시면, 아래 명시된 보증 서비스를 제공해 드릴 것입니다(공식 인증 몽블랑 부티크, 몽블랑 판매처, 몽블랑 서비스 센터의 전체 목록은 몽블랑 웹사이트 [www.montblanc.com](http://www.montblanc.com)을 참조하십시오).

몽블랑은 구입일로부터 2년간("보증 기간") 소재나 제조상의 결함에 대한 제품의 품질 보증을 제공합니다. 보증 기간 내에 제품을 반품할 경우, 몽블랑은 제품이 반납된 후 적절한 시간 내에 결함이 생긴 몽블랑 제품이나 부품을 무상으로 수리 및 교체해 드리며, 배송비는 유료로 청구할 수 있습니다. 보증 기간이 만료되면, 모든 수리는 유료 서비스로 전환됩니다.

##### 서비스 이용 방법

이 서비스 가이드에 제시된 공식 인증 몽블랑 부티크나 몽블랑 판매처, 몽블랑 서비스 센터로 귀하의 몽블랑 제품을 가져가거나 보내면 서비스를 받으실 수 있습니다. 우편료와 보험, 포장재를 포함하지만 이에 국한되지는 않으며 모든 배송비는 귀하께서 부담합니다. 몽블랑으로 제품을 배송할 때 공인된 배송 및 보험을 이용할 것을 권장합니다.

몽블랑 국제 보증을 통해 서비스를 받으시려면, 몽블랑 구매 당시 공식 인증 몽블랑 부티크나 몽블랑 판매처가 보증 내용과 날짜, 서명, 날인을 완료하여 제품과 함께 제공했던 국제 보증서 원본을 동봉하여 몽블랑 제품과 함께 반송해야 합니다. 몽블랑 국제 보증서는 공식 인증 몽블랑 부티크나 몽블랑 판매처만이 작성할 수 있습니다.

##### 몽블랑 국제 보증이 제공되지 않는 경우

다음의 경우는 몽블랑 국제 보증이 제공되지 않습니다.

- 분실, 도난, 화재 및 그 밖의 통제 불가능한 요인으로 인한 결함 및 손상
- 오용, 부주의, 사고로 인해 발생한 결함 및 손상
- 부적절한 사용(떨리기, 누르기, 부수기 등), 개조, 조작, 분해 또는 공식 인증 몽블랑 부티크나 몽블랑 판매처, 몽블랑 서비스 센터 이외의 곳에서 완료된 서비스 및 수리로 인해 발생한 결함이나 손상, 또는 몽블랑이 생산하거나 권장한 구성품이나 부품(병잉크, 카트리지 등) 이외의 것들을 사용하여 발생한 결함 및 손상
- 자연적인 마모로 인한 결함 및 손상
- 일련번호가 제거되거나 분명히 읽을 수 없는 몽블랑 제품 또는 몽블랑 원제품의 부품이 하나라도 제거, 변경, 개조, 교체, 삭제 또는 훼손된 경우
- 정기 유지보수 및 세척
- 배터리 셀, 리더 스트랩, 러버 및 메탈 브레이슬릿

##### 몽블랑 서비스 문의처

공식 인증 몽블랑 부티크와 몽블랑 판매처, 몽블랑 서비스 센터만이 본 문서에 명시된 보증 서비스를 제공할 수 있습니다. 더 자세한 정보나 공식 인증 몽블랑 부티크, 몽블랑 판매처, 몽블랑 서비스 센터의 전체 목록은 몽블랑 웹사이트 [www.montblanc.com](http://www.montblanc.com)을 참조하시기거나, 보증서나 기타 구매 증명서에 명시된 공식 인증 몽블랑 부티크 또는 몽블랑 판매처에 문의하시기 바랍니다.

##### 인증내역

- KC (방송 통신 위원회) 기 준
1. 기기명칭 : Augmented Paper
  2. 모델명 : AUGP-100
  3. 인증번호 : MSIP-CRM-MBd-AUGP-100
  4. 상호 : Montblanc-Simplo GmbH
  5. 정격전압 : DC 5V, 500 mA
  6. 제조년월일 : SERIAL 번호를참조하여주십시오
  7. 제조자/제조국가 : Montblanc-Simplo GmbH, Germany
  8. 안내 : Montblanc-Simplo GmbH
  9. 주소 : 서울시 중구 퇴계로 100, 남산스테이트타워 16층, 064431
  10. 전화번호 : 82-1670-4810

URL: [www.montblanc.com/ko-kr](http://www.montblanc.com/ko-kr)

해당 무선설비는 운용 중 전파혼신 가능성이 있으므로 인명안전과관련된 서비스는 할 수 없음

이 기기는 가정용(B급) 전자파적합기기로서 주로 가정에서 사용하는 것을 목적으로 하며, 모든 지역에서 사용할 수 있습니다.

**JP:****安全性**

思わぬ事故を防ぐために、以下の注意事項と安全性に関する情報をよくお読みください。想定される使用目的以外の設定や使用は保証の対象となりません。

**使用上の注意**

製品を最高のパフォーマンスで使用し、損傷を防ぐために、筆記具、リフィル、ピンセット、ノートはモンブランが推奨するもののみをご使用ください。モンブランは、その他の筆記具、リフィル、ピンセットまたはノートの使用に起因するあらゆる損害の責任を負いません。リフィルが必要な場合、あるいはご使用のモンブラン製品を紛失された場合は、モンブラン プティックまたはモンブラン正規取扱店までご連絡ください。Augmented Paper専用で作られたモンブランのA5ノートをご使用ください。その他のノートを使用すると、精度に差異が生じ、デバイスの誤動作を招く恐れがあります。

スロットやポケットに無理に押し込まないでください。損傷の原因となります。

モンブランは、デバイスの使用に起因する損傷やデータ損失の責任を負いません。

ご自身でデバイスの修理を行わないでください。修理やメンテナンスの際は、モンブラン プティックまたはモンブラン正規取扱店までご連絡ください。

**警告**

いかなる方法によっても、デバイスを分解、修理、変更、落下、破砕したり、デバイスを開いたり、穴を開けたり、異物を挿入したり、細かく刻んだり、あるいはデバイスに損傷を与えるようなことをしないでください。高圧下に晒したり、熱源の付近、あるいはそのなかにデバイスを置かないでください。この場合は保証の対象となりません。また、発火や感電、またはその他の損傷が生じる恐れがあり、人に危害が及ぶ場合があります。

デバイスの上に金属体を置いたり、金属製のテーブルなどの金属体の上にデバイスを置かないでください。

デバイスは磁石や磁場から離れたところに置いてください。支障や誤動作、損傷の恐れがあります。

デバイスを液体、高湿度、あるいは指定された使用条件を超越する湿度、直火、高温、急激な温度変化、粉塵、衝撃、振動、機械的ストレスに晒さないでください。誤動作や感電の恐れがあります。デバイスの上に液体がこぼれた場合は、使用を中止し、電源をオフにして、モンブラン プティックまたはモンブラン正規取扱店までご連絡ください。

このデバイスはBluetooth® テクノロジーを使用して周辺機器と接続します。飛行機に搭乗する場合や、使用が禁止されている地域を旅行する場合は、各当局が発行している通信デバイスのガイドラインに従ってください。モンブランはいかなる損傷にも責任を負いません。

ペンを使用する際はペン先に過剰な圧力を与えないでください。ペンが損傷した場合は、使用を中止してください。デバイスの誤動作、損傷の原因になります。

デバイスが膨張または拡大したり、強い臭いを発したり、触れると熱くなった場合は、使用を中止し、モンブラン プティックまたはモンブラン正規取扱店までご連絡ください。内蔵バッテリーが漏れる場合は、使用を中止するとともにデバイスが肌や目に触れない

ようにしてください。誤って触れてしまった場合は、その箇所を大量の水で洗い流し、すぐに医師の診察を受けてください。このデバイスはおもちゃではありません。デバイスおよび付属品は幼児の手に届かないよう注意してください。

充電が完了したら、使用しない場合に電源に接続したままにしないでください。不適切な充電器を使用したことによる損傷は、保証の対象にはなりません。デバイスの充電には、同梱のUSBケーブルのみを使用してください。USBケーブルは慎重に扱ってください。USBケーブルの上に物を置いたり、鋭く折り曲げたり、強いストレスを加えないでください。ケーブルが液体に触れないようにしてください。USBケーブルが損傷すると、誤動作や感電、発火の恐れがあります。

デバイス上のデータおよびデバイスとモバイル装置との接続は、暗号化されません。

**お手入れについて**

デバイスをお手入れする前に、電源との接続を解除し、電源をオフにしてください。お手入れをする際は、必ず柔らかな布で優しく拭いてください。強い化学物質や洗剤、液剤は使用しないでください。隙間に水分が入らないようにしてください。そうした損傷は保証の対象にはなりません。

**廃棄について**

本製品を廃棄したい場合は、お住まいの地域の自治体または販売業者に連絡し、適切な廃棄方法について問い合わせてください。本製品を不適切な方法で廃棄すると、国の法規により罰せられる可能性があります。

**モンブラン国際保証**

以下のモンブラン国際保証は、各国(米国、カナダ、オーストラリアを含む)において保証書とともに販売または贈呈されたモンブラン製品に適用します。

**モンブラン国際保証の保証範囲と期間**

モンブラン製品は、モンブランの高い品質基準に従って、専門のクラフツマンが丹精込めて丁寧に制作しています。万一、製造上および素材に不具合があった場合には、本製品は本モンブラン国際保証の対象となります。最寄りのモンブランの正規のプティック・販売店・サービスセンター(モンブランのウェブサイトwww.montblanc.comにて、世界のモンブランの正規のプティック・販売店・サービスセンター一覧をご参照ください)にご連絡ください。本保証書に規定されたサービスが適用されます。

モンブランは、製品の製造および素材の不具合について、購入日より2年間の保証期間を設けています。保証期間中に不具合が生じた製品については、モンブランは製品または部品の修理または交換を、相応の時間をいただき無料で行います。製品を送付いただく場合は、送料はお客様ご自身の負担となります。保証期間が終了している製品については、修理代が発生します。

**サービスの利用方法**

本サービスガイドに記載されたサービスをご利用いただくには、お手元のモンブラン製品をお近くのモンブランの正規のプティック・販売店・サービスセンターにお持ち込みまたはご送付ください。送料、保険、梱包材などの輸送に関わるコストはお客様のご負担となります。製品を送付される場合には、配達証明および保険を利用されるようお願いいたします。

本モンブラン国際保証によるサービスは、お預かりする製品の購入時にモンブランの正規のプティック・販売店において、正式に購入日など必要事項がもれなく記入され、捺印がされた、製品とともにお渡しいた保証書の原本を、製品とともにご提出いただいた場合にのみ適用になります。この保証書は、モンブランの正規のプティック・正規販売店においてのみ記入されるものです。

モンブラン国際保証が適用されない場合 以下については、モンブランの国際保証が適用されません。

- 紛失、盗難、火災、その他不可抗力の原因による欠陥や損傷
- 誤った使い方、不注意、事故による欠陥や損傷
- 不適切な使用(強打、へこみ、圧搾など)・変造・不正加工・分解による欠陥や損傷モンブランの正規のプティック・販売店・サービスセンター以外の者により行われたサービスや修理による欠陥や 損傷モンブランが製造または推奨するもの以外の部品やアクセサリ(ボトルインクやカートリッジなど)の使用による欠陥や 損傷
- 通常の使用による消耗や消耗にて生じた不具合
- シリアルナンバーの欠如あるいは判読不能のモンブラン製品、オリジナルのパーツが除去・変造・交換・抹消・汚損されているモンブラン製品
- 定期的なメンテナンスやクリーニング
- 電池、レーザートラップ、ラバーまたはメタル製のプレスレット類

**モンブラン カスタマーサービスお問い合わせ先**

モンブランの正規のプティック・販売店・サービスセンターのみが、本保証書に記載された保証サービスを提供する権利を持ちます。詳細については、およびモンブランの正規のプティック・販売店・サービスセンターの一覧については、モンブランのウェブサイトwww.montblanc.comをご参照いただくか、保証書またはモンブランが発行する明細書等に記載されたモンブランのプティックまたは正規販売店にお問い合わせください。

**規制文書****電波障害自主規制等について**

この装置は、クラスB情報技術装置です。この装置は、家庭環境で使用されていることを目的としています。この装置がラジオやテレビジョン受信機に近接して使用されると、受信障害を引き起こすことがあります。取扱説明書に従って正しい取り扱いをして下さい。VCCI-B

**電波法(RF)規制**

日本国内で本製品をご使用になる場合のお願い この機器の使用周波数帯では、電子レンジ等の産業・科学・医療用機器のほか工場の製造ライン等で使用されている移動体識別用の構内無線局(免許を要する無線局)及び特定小電力無線局(免許を要しない無線局)並びにアマチュア無線局(免許を要する無線局)が運用されています。

- この機器を使用する前に、近くで移動体識別用の構内無線局及び特定小電力無線局並びにアマチュア無線局が運用されていないことを確認して下さい。
- 万一、この機器から移動体識別用の構内無線局に対して有害な電波干渉の事例が発生した場合には、速やかに使用周波数を変更するか又は電波の発射を停止した上、サポート窓口にご連絡頂き、混信回避のための処置等(例えばパーティションの設置など)についてご相談して下さい。
- その他、この機器から移動体識別用の特定小電力無線局あるいはアマチュア無線局に対して有害な電波干渉の事例が発生した場合など何かお困りのことが起きたときは、サポート窓口へお問い合わせ下さい。

**環境への適合**

内蔵型充電式電池の回収・リサイクルについて  
本製品はリサイクル可能なリチウムイオン電池を内蔵しています。

**Li-ion 00**

この充電式電池の取り外しはお客様自身では行わず、回収方法などについてはMontblancサポートセンターまでお問い合わせ下さい。Montblancホームページ www.montblanc.com/augmented-paper

**SC:****安全**

请仔细阅读以下警告和安全信息，以防发生事故。我们不负责任或保证所推荐和预期用途以外的任何配置或使用。

**注意事項**

为确保产品的最佳性能，防止损坏，请仅使用万宝龙推荐的书写工具、纸/笔芯、镊子和笔记本。万宝龙不负责由于使用其他书写工具、纸/笔芯、镊子或笔记本而引起的任何损坏。如果您需要纸/笔芯，或丢失万宝龙产品，请联系万宝龙精品店或万宝龙授权经销商。

请仅使用专为Augmented Paper制造的正品万宝龙A5笔记本。使用其他笔记本将导致精度不同，并可能导致设备出现故障。

不要将产品用力放入插槽和口袋中，否则会导致损坏。

万宝龙不负责由于设备使用导致的损坏或数据丢失。

不要擅自维修设备。如需保养和维修，请联系万宝龙精品店或万宝龙授权经销商。

**警告**

不要拆卸、维修、修改、打开、抛扔、穿刺、挤压、强插、拆解或试图以任何方式损害设备。远离高压，禁止放在热源附近或热源之中。否则会导致保修无效，引发火灾、触电和/或其他伤害，包括人员伤亡。

不要在设备上放置金属物，或将设备放在金属物(如金属桌面)上。

让设备远离磁铁和磁场。否则会引起干扰、故障或损坏。

不要将设备暴露在液体、高湿度、超过指定使用条件的湿度范围、明火、高温、极端温度变化、灰尘、冲击、振动或机械应力下，否则会造成故障或触电。如果有液体飞溅到设备上，停止使用，关闭电源，联系万宝龙精品店或万宝龙授权经销商。

使用蓝牙技术将此设备连接至外设。乘坐飞机旅行或在禁止使用的场所，请遵守官方规定的通信设备使用准则。万宝龙对损坏概不负责。

在使用墨水笔时，笔帽不要过度用力。如果书写笔损坏，禁止使用，因为这可能会导致设备故障或损坏。



如果设备开始增大或膨胀，散发强烈气味，或者热得无法触摸，应停止使用，联系万宝龙精品店或万宝龙授权经销商。如果设备内的电池发生泄漏，应停止使用，不要让设备接触皮肤或眼睛。如果意外接触，应用大量水冲洗受影响部位，并立即就医。

此设备不是玩具，应将设备和配件放在儿童无法触及的地方。如果设备已充满电，在不使用时应拔出插头。由于使用不合适的充电器造成的损坏不包括在保修内。仅使用随附的USB电缆为设备充电。小心处理USB电缆。不要在USB电缆上放置物体，不要剧烈弯曲，或施加过大张力。让电缆远离液体。如

果USB电缆损坏，可能会造成故障、触电或火灾。

设备上的数据以及设备与手机之间的连接未加密。

#### 清洁说明

在清洁设备前，将设备与任何电源断开，并关机。仅使用软布，在清洁时轻轻用力即可。不要使用任何刺激性化学品、洗涤剂或溶液。避免在任何开口处留下水分。此类损坏不包括在保修内。

#### 弃置

如果想要弃置此产品，请联系您的地方当局或经销商，咨询正确的弃置方法。根据国家/地区的法律，不正确弃置此废品可能会受到处罚。



#### 万宝龙国际保修

以下万宝龙国际保修适用于所有国家（包括美国、加拿大和澳大利亚）销售或赠予的享受保修服务的万宝龙产品。

#### 万宝龙国际保修包括的内容及期限

您的万宝龙产品由我们的娴熟工匠大师依照万宝龙高质量标准倾注 所有精力和耐心打造。因此，万宝龙产品在制造和材质方面的瑕疵 均涵盖在本万宝龙国际保修范围内。请联系全球授权万宝龙专卖店、万宝龙经销商或万宝龙服务中心（要获取授权万宝龙专卖店、万宝龙经销商或万宝龙服务中心的完整名单，请访问万宝龙网站 [www.montblanc.com](http://www.montblanc.com)），他们将提供此处规定的保修服务。万宝龙保证其产品享有自购买之日起两（2）年（“保修期”）的材质和制造瑕疵保修服务。如果在保修期内产品被退回，万宝龙将在收到产品后的合理时间内维修或更换任何瑕疵的万宝龙产品 或部分免费，并酌情收取运费。保修期过后，任何维修都将收取服务费。如何享受服务 您可以将万宝龙产品亲自送至或寄送至授权本服务指南稍后标示的 万宝龙专卖店、万宝龙经销商或任何万宝龙服务中心。您将负责支付运费，包括但不限于邮费、保险费和包装材料费。我们建议在您向我们发货时将发货和保险证明一并寄给我们。

为享受此万宝龙国际保修服务，寄回的万宝龙产品必须附带原始保修证书，内附万宝龙产品的购买日期，并由授权万宝龙专卖店或万宝龙经销商妥善填写、标注日期、盖章及签字。此国际保修证书只能由授权万宝龙专卖店或万宝龙经销商填写。

#### 万宝龙国际保修不包括的内容

万宝龙国际保修不包括：

- (a) 由于丢失、被盗、火灾或其他我们不可控的原因导致的瑕疵和损坏；
- (b) 由于滥用、疏忽或意外事故造成的瑕疵和损坏；
- (c) 由于使用不当（撞击、凹陷、挤压等）、更改、篡改、或由授权万宝龙专卖店、万宝龙经销商或万宝龙服务中心以

外的任何人执行的拆卸、保养及维修，或使用万宝龙制造或推荐以外的组件或配件（例如瓶装墨水或墨芯）造成的瑕疵和损坏；

- (d) 由于正常磨损导致的瑕疵和损坏；
- (e) 序列号被移除或无法清楚辨识的万宝龙产品；或者任何部分被移除、更改、改动、更换、擦除或污损的原始万宝龙产品；
- (f) 日常维护和清洗；
- (g) 电池、皮革表带、或橡胶和金属表链。

#### 万宝龙服务联系人

只有授权万宝龙专卖店、万宝龙经销商或万宝龙服务中心才有权提供此处规定的保修服务。欲获取授权万宝龙专卖店、万宝龙经销商 或万宝龙服务中心的更多信息和完整名单，请访问万宝龙网站 [www.montblanc.com](http://www.montblanc.com)，或者询问您的保修证书或您的销售文件中标示的授权万宝龙专卖店或万宝龙经销商。

#### 环境合规性 CHINA ROHS

#### 产品中有害物质的名称及含量

部位名称	有害物質					
	铅 (Pb)	汞 (Hg)	镉 (Cd)	六价铬 (Cr(VI))	多溴联苯 (PBB)	多溴联苯醚 (PBDE)
PCBA	×	○	○	○	○	○
CASE	○	○	○	○	○	○
插包	○	○	○	○	○	○
配件	○	○	○	○	○	○
印刷品	○	○	○	○	○	○

本表格依据SJ/T 11364的规定编制。  
○：表示该有害物质在该部件所有均质材料中的含量均在GB/T 26572规定的限量要求以下。  
×：表示该有害物质至少在该部件的某一均质材料中的含量超出GB/T 26572规定的限量要求，但符合欧盟RoHS指令（包括其豁免条款）

#### TC:

##### 安全

請仔細閱讀以下警告和安全資訊，以防發生事故。我們對任何不符合建議及預期用途的設置或使用方式概不負責，亦不提供任何保證。

##### 注意事項

為確保產品的最佳性能並防止損壞，請僅使用萬寶龍建議的書寫工具、紙/筆芯、鉛筆和筆記型電腦。因使用其他書寫工具、紙/筆芯、鉛筆或筆記型電腦而引致的任何損壞，萬寶龍概不負責。如您需要替換的紙/筆芯，或遺失萬寶龍產品，請聯繫萬寶龍專門店或萬寶龍授權零售商。

請僅使用專為Augmented Paper而設的原裝萬寶龍A5筆記型電腦。使用其他筆記型電腦將導致準確度有異，並可能導致設備出現故障。

不要將產品用力放入插槽和口袋中，否則會導致損壞。

萬寶龍對因使用設備而導致的損壞或資料丟失概不負責。

請勿擅自維修設備。如需保養和維修，請聯繫萬寶龍專門店或萬寶龍授權零售商。

#### 警告

不要拆卸、維修、修改、拆開、拋扔、刺穿、擠壓、強插、拆解或試圖以任何方式損害設備。遠離高壓，禁止放在熱源附近或熱源之中，否則會導致保養無效，引發火災、觸電和/或其他傷害，包括人身受傷。

不要在設備上放置金屬物件，或將設備放在金屬物件（如金屬桌面）上。

讓設備遠離磁鐵和磁場，否則會引起干擾、故障或損壞。

不要將設備暴露在液體、高濕度、超過指定使用條件的濕度範圍、明火、高溫、極端溫度變化、灰塵、衝擊、振動或機械壓力下，否則會造成故障或觸電。如不慎潑灑液體至設備上，請停止使用並關閉電源，再聯繫萬寶龍專門店或萬寶龍授權零售商。

使用藍牙技術將此設備連接至周邊設備。如正乘坐飛機或身處禁止使用設備的場所，請遵守官方規定的通訊設備使用準則。萬寶龍對損壞概不負責。

使用書寫筆時請勿過度用力，擠壓筆咀。如果書寫筆損壞，則切勿使用，否則可能會導致設備故障或損壞。

如果設備開始增大或膨脹，散發強烈氣味，或者熱得無法觸摸，應停止使用，並聯繫萬寶龍專門店或萬寶龍授權零售商。如設備的電池出現漏電，應停止使用，避免設備接觸皮膚或眼睛。如不慎接觸，應以大量清水沖洗受影響的部位，並立即就醫。此設備並非玩具，請將設備和其配件置於兒童無法觸及的地方。如設備已充滿電，在不使用時應拔出插頭。使用不合适的充电器而造成的損壞，並不包括在保養內。請僅使用隨附的USB線為設備充電。請愛護USB線。請勿在USB線上放置物件、劇烈彎曲，或施加過大壓力。請讓USB線遠離液體。如果USB線損壞，可能會導致故障、觸電或火災。

設備上的資料以及設備與手機之間的連接並未加密。

#### 清潔說明

在清潔設備前，請先關機並斷開所有電源。清潔時，僅使用軟布輕輕擦拭。請勿使用任何刺激性化學品、洗滌劑或溶液。請保持所有接口乾爽。此類損壞不包括在保養內。

#### 棄置

如要棄置此產品，請聯繫您的地方當局或零售商，查詢正確的棄置方法。根據您所在國家/地區的法律，不以正確方式棄置此廢品可能會受到處罰。



#### 法規聲明

產品名稱數位筆記本  
型號 AUGP-100

低功率電波輻射性電機管理辦法 第12條 經型式認證合格之低功率射頻電機，非經許可，公司、商號或使用者均不得擅自變更頻率、加大功率或變更原設計之特性及功能。第14條 低功率射頻電機之使用不得影響飛航安全及干擾合法通信；經發現有干擾現象時，應立即停用，並改善至無干擾時方得繼續使用。前項合法通信，指依電信法規定作業之無線電通信。低功率射頻電機須忍受合法通信或工業、科學及醫療用電波輻射性電機設備之干擾。

#### 環境法規遵守



#### 台灣廢棄物處置方法

台灣電池警告 台灣環保署要求遵守廢棄物處置法令第15條的乾電池製造或進口公司在用於銷售、廢電池請回收 贈品或促銷的電池 上用回收標誌作指示。請聯絡有資格的台灣回收公司進行妥善的電池處置。請回收利用使用後的電池

#### TR:

Türkiye Cumhuriyeti: EEE Yönetmeliğine Uygundur

#### US & CA:

Additional guarantee conditions applicable in the United States of America and Canada only:

#### Montblanc Limited Warranty

EXCEPT TO THE EXTENT PROHIBITED BY APPLICABLE LAW, THE MONTBLANC INTERNATIONAL GUARANTEE SET FORTH ABOVE IS A LIMITED WARRANTY AND SHALL BE THE EXCLUSIVE MANUFACTURER'S WARRANTY IN LIEU OF ANY OTHER EXPRESS WARRANTIES. NEITHER THIS LIMITED WARRANTY NOR ANY OTHER WARRANTIES, WHETHER EXPRESS OR IMPLIED, INCLUDING, BUT NOT LIMITED TO, ANY IMPLIED WARRANTY OF MERCHANTABILITY OR IMPLIED WARRANTY OF FITNESS FOR A PARTICULAR

PURPOSE, SHALL EXTEND BEYOND THE PERIOD OF TWO (2) YEARS FROM THE DATE OF PURCHASE. FOR A PERIOD OF TWO (2) YEARS FROM THE DATE OF PURCHASE MONTBLANC WILL, AT ITS SOLE DISCRETION, REPAIR OR REPLACE ANY DEFECTIVE MONTBLANC PRODUCT OR PART UNDER THE LIMITED WARRANTY FREE OF CHARGE SUBJECT TO THE RIGHT TO CHARGE FOR SHIPPING COSTS, AND SUBJECT TO THE FOLLOWING CONDITIONS:

THE RETURNED MONTBLANC PRODUCT MUST BE ACCOMPANIED BY THE GUARANTEE CERTIFICATE (INCLUDED WITH THE MONTBLANC PRODUCT), DULY COMPLETED, DATED, STAMPED AND SIGNED BY AN AUTHORIZED MONTBLANC BOUTIQUE OR DEALER. SUCH GUARANTEE CERTIFICATE MAY ONLY BE COMPLETED BY AN AUTHORIZED MONTBLANC BOUTIQUE OR MONTBLANC DEALER.

THE SERIAL NUMBER ORIGINALLY IMPRINTED ON THE MONTBLANC PRODUCT IS CLEARLY LEGIBLE AND NO PART OF THE ORIGINAL MONTBLANC PRODUCT OR ORIGINAL SERIAL NUMBER HAS BEEN REMOVED, CHANGED, ALTERED, REPLACED, ERASED OR DEFACED. IN ADDITION TO THE FOREGOING, ALL OTHER CONDITIONS SET FORTH IN THE MONTBLANC INTERNATIONAL GUARANTEE ARE APPLICABLE TO THE MONTBLANC LIMITED WARRANTY IN THE UNITED STATES OF AMERICA AND CANADA.

FAILURE OF ANY OF THESE CONDITIONS VOIDS ALL WARRANTY RIGHTS. THIS WARRANTY IS THE SOLE AND EXCLUSIVE REMEDY. MONTBLANC SHALL NOT BE LIABLE FOR ANY INCIDENTAL OR CONSEQUENTIAL DAMAGES.

Montblanc does not authorize any distributor or dealer of its products to make any warranties beyond this Limited Warranty or to otherwise assume for Montblanc any obligations or liability in connection with the sale or distribution of its products. Some states, provinces or territories do

not allow limitations on how long an implied warranty lasts or the exclusion or limitation of incidental or consequential damages, so the above limitations or exclusions may not apply to you.

A warranty claim may be sent to Montblanc North America LLC or Montblanc Canada Ltd. at the following addresses, or for a complete list of authorized Montblanc boutiques, Montblanc dealers and Montblanc service centres, please consult the Montblanc website [www.montblanc.com](http://www.montblanc.com), in each case using the procedure outlined in 'How to Obtain Service':

Montblanc North America LLC 15100 Trinity Blvd,  
Suite 300 Fort Worth TX 76155  
United States  
(Please send products via insured carrier only,  
no drop off available at this location)  
Ph.: +1 800 995 4810  
Email: [service@montblanc.com](mailto:service@montblanc.com)

Montblanc Canada Ltd. 4610 Eastgate Parkway  
Unit 1  
L4W 3 W6  
Mississauga, Ontario Canada  
Ph.: +1 905 602-1262  
Fax: +1 905 602-6805  
Email: [service@montblanc.com](mailto:service@montblanc.com)

Specific guarantee applicable in Australia only:  
Mandatory Statutory Rights

Our goods come with guarantees that cannot be excluded under the Australian Consumer Law. You are entitled to a replacement or refund for a major failure and compensation for any other reasonably foreseeable loss or damage. You are also entitled to have the goods repaired or replaced if the goods fail to be of acceptable quality and the failure does not amount to a major failure.

The Mandatory Statutory Rights apply only to Montblanc Products sold in Australia and presented for guarantee intervention in Australia. The Montblanc International Guarantee gives you further benefits, which are in addition to your rights under the Australian Consumer

Law. If you seek to rely on your Mandatory Statutory Rights under the Australian Consumer Law in relation to a defect in goods supplied, you may be entitled to recover any reasonably foreseeable loss or damage that results from the defect. This may include the costs associated with transporting the Montblanc Product to an authorised Montblanc boutique, Montblanc dealer or Montblanc service centre.

In Australia, the Montblanc International Guarantee is provided by: Montblanc service centre  
Level 4, 450 St Kilda Road  
Melbourne VIC 3004 Australia,  
Ph: +61 3 8866 9500  
Email: [service@montblanc.com](mailto:service@montblanc.com)

A claim under this Guarantee may be sent to the Montblanc service centre at the address above, or for a complete list of authorized Montblanc boutiques, Montblanc dealers and Montblanc service centres, please consult the Montblanc website [www.montblanc.com](http://www.montblanc.com), in each case using the procedure outlined in 'How to Obtain Service'

How State and Other Laws Apply

The Montblanc International Guarantee gives you specific legal rights, and you may also have other rights which vary in the United States of America from State to State and may in addition vary from one country, province or territory to another.

## Product Specifications

Manufacturer	Montblanc-Simplo GmbH
Brand	Montblanc
Model	AUGP-100
Temperature range	5 - 40°C (41 - 104 °F)
Humidity	30% - 80% RH
Organizer Size (W x L x D)	252mm x 58,8mm x 5mm
Organizer Weight	480g
Notebook	Augmented Paper A5 (148 x 210 mm)
Writing Instrument Size (W x L x D)	140mm x 12mm x 17mm
Writing Instrument Weight	27,4g
Communication	Bluetooth® Low Energy
Power requirements	DC 5V from USB port
Connector	USB type A (port) to Micro B (device)
Typical continues usage time	8 hours
Typical charging time	2,5 hours
Battery	Lithium polymer battery

Outer leather: Cowhide, full-grain, chrome-tanned, pigmented dyed through | Leder außen: Rindsleder, vollnarbig, chromgegerbt, mit Pigmenten durchgefärbt | Cuir extérieur: Cuir de vache, pleine fleur, tanné au chrome, pigmenté | Piel exterior: Piel de becerro, plena flor, curtido cromo, teñido con pigmentos | Pelle lato esterno: Vacchetta, pieno fiore, concia al cromo, tintura passante pigmentata | Pele exterior: Pele de vaca, granulada total, curtido ao cromo, tingido pigmentado | Кожа: яловичная кожа, зернистая, хромовое дубление, пигментная окраска на всю глубину | レザー外側:カーフスキン,フルグレイン,クロムなめし, 料染色加工 | 外层皮革: 牛皮,全粒面皮,铬盐鞣制,染料浸染  
Leather Origin: Italy | 皮革原国: イタリア | 皮革原产国: 意大利

Printed in Germany

© 2015 Montblanc-Simplo GmbH. All rights reserved. Montblanc and their respective logos are trademarks and/or registered trademarks. The Bluetooth® word mark and logos are registered trademarks owned by Bluetooth SIG, Inc. and any use of such marks by Montblanc-Simplo GmbH is under licence. All other company names and product names are trademarks and/or registered trademarks of their respective owners.

Modifications and errors excepted.