

FCC Test Report

Report No.: RF161128C08-1

FCC ID: 2AENP-MS744517

Test Model: MS744517

Received Date: Nov. 30, 2016

Test Date: Dec. 30, 2016 ~ Feb. 15, 2017

Issued Date: Mar. 01, 2017

Applicant: Montblanc-Simplo GmbH

Address: Hellgrundweg 100 22525 Hamburg Germany

Issued By: Bureau Veritas Consumer Products Services (H.K.) Ltd., Taoyuan Branch

Lab Address: No. 47-2, 14th Ling, Chia Pau Vil., Lin Kou Dist., New Taipei City, Taiwan (R.O.C)

Test Location: No. 19, Hwa Ya 2nd Rd, Wen Hwa Tsuen, Kwei Shan Hsiang, Taoyuan Hsien 333, Taiwan, R.O.C.



This report is for your exclusive use. Any copying or replication of this report to or for any other person or entity, or use of our name or trademark, is permitted only with our prior written permission. This report sets forth our findings solely with respect to the test samples identified herein. The results set forth in this report are not indicative or representative of the quality or characteristics of the lot from which a test sample was taken or any similar or identical product unless specifically and expressly noted. Our report includes all of the tests requested by you and the results thereof based upon the information that you provided to us. You have 60 days from date of issuance of this report to notify us of any material error or omission caused by our negligence, provided, however, that such notice shall be in writing and shall specifically address the issue you wish to raise. A failure to raise such issue within the prescribed time shall constitute your unqualified acceptance of the completeness of this report, the tests conducted and the correctness of the report contents. Unless specific mention, the uncertainty of measurement has been explicitly taken into account to declare the compliance or non-compliance to the specification.

Table of Contents

Release Control Record	4
1 Certificate of Conformity	5
2 Summary of Test Results	6
2.1 Measurement Uncertainty.....	6
2.2 Modification Record	6
3 General Information	7
3.1 General Description of EUT	7
3.2 Construction of EUT.....	8
3.3 Description of Test Modes.....	9
3.3.1 Test Mode Applicability and Tested Channel Detail.....	10
3.4 Description of Support Units	12
3.4.1 Configuration of System under Test	12
3.5 General Description of Applied Standards.....	12
4 Test Types and Results	13
4.1 Radiated Emission and Bandedge Measurement	13
4.1.1 Limits of Radiated Emission and Bandedge Measurement	13
4.1.2 Test Instruments	14
4.1.3 Test Procedures.....	15
4.1.4 Deviation from Test Standard	15
4.1.5 Test Set Up	16
4.1.6 EUT Operating Conditions.....	16
4.1.7 Test Results	17
4.2 Conducted Emission Measurement.....	27
4.2.1 Limits of Conducted Emission Measurement	27
4.2.2 Test Instruments	27
4.2.3 Test Procedures.....	27
4.2.4 Deviation from Test Standard	27
4.2.5 TEST SETUP.....	28
4.2.6 EUT Operating Conditions.....	28
4.2.7 Test Results	29
4.3 6 dB Bandwidth Measurement.....	31
4.3.1 Limits of 6 dB Bandwidth Measurement.....	31
4.3.2 Test Setup.....	31
4.3.3 Test Instruments	31
4.3.4 Test Procedure	31
4.3.5 Deviation from Test Standard	31
4.3.6 EUT Operating Conditions.....	31
4.3.7 Test Result	32
4.4 Conducted Output Power Measurement	33
4.4.1 Limits of Conducted Output Power Measurement.....	33
4.4.2 Test Setup.....	33
4.4.3 Test Instruments	33
4.4.4 Test Procedures.....	33
4.4.5 Deviation from Test Standard	33
4.4.6 EUT Operating Conditions.....	33
4.4.7 Test Results	33
4.5 Power Spectral Density Measurement	34
4.5.1 Limits of Power Spectral Density Measurement.....	34
4.5.2 Test Setup.....	34
4.5.3 Test Instruments	34
4.5.4 Test Procedure	34
4.5.5 Deviation from Test Standard	34
4.5.6 EUT Operating Condition	34

4.5.7 Test Results	35
4.6 Conducted Out of Band Emission Measurement	36
4.6.1 Limits of Conducted Out of Band Emission Measurement.....	36
4.6.2 Test Setup.....	36
4.6.3 Test Instruments	36
4.6.4 Test Procedure	36
4.6.5 Deviation from Test Standard	36
4.6.6 EUT Operating Condition	36
4.6.7 TEST RESULTS	37
5 Pictures of Test Arrangements.....	39
Appendix – Information on the Testing Laboratories	40

Release Control Record

Issue No.	Description	Date Issued
RF161128C08-1	Original Release	Mar. 01, 2017

1 Certificate of Conformity

Product: Montblanc SUMMIT

Brand: Montblanc

Test Model: MS744517

Sample Status: Production Unit

Applicant: Montblanc-Simplo GmbH

Test Date: Dec. 30, 2016 ~ Feb. 15, 2017

Standards: 47 CFR FCC Part 15, Subpart C (Section 15.247)
ANSI C63.10:2013

The above equipment has been tested by **Bureau Veritas Consumer Products Services (H.K.) Ltd., Taoyuan Branch**, and found compliance with the requirement of the above standards. The test record, data evaluation & Equipment Under Test (EUT) configurations represented herein are true and accurate accounts of the measurements of the sample's EMC characteristics under the conditions specified in this report.

Prepared by : Gina Liu , **Date:** Mar. 01, 2017
Gina Liu / Specialist

Approved by : David Huang , **Date:** Mar. 01, 2017
David Huang / Project Engineer

2 Summary of Test Results

47 CFR FCC Part 15, Subpart C (Section 15.247)			
FCC Clause	Test Item	Result	Remarks
15.207	AC Power Conducted Emission	Pass	Meet the requirement of limit. Minimum passing margin is -15.88 dB at 0.77000 MHz.
15.205 & 209	Radiated Emissions	Pass	Meet the requirement of limit. Minimum passing margin is -7.63 dB at 31.94 MHz.
15.247(d)	Band Edge Measurement	Pass	Meet the requirement of limit.
15.247(d)	Antenna Port Emission	Pass	Meet the requirement of limit.
15.247(a)(2)	6 dB Bandwidth	Pass	Meet the requirement of limit.
15.247(b)	Conducted power	Pass	Meet the requirement of limit.
15.247(e)	Power Spectral Density	Pass	Meet the requirement of limit.
15.203	Antenna Requirement	Pass	No antenna connector is used.

2.1 Measurement Uncertainty

Where relevant, the following measurement uncertainty levels have been estimated for tests performed on the EUT:

The listed uncertainties are the worst case uncertainty for the entire range of measurement. Please note that the uncertainty values are provided for informational purposes only and are not used in determining the PASS/FAIL results.

Measurement	Frequency	Expanded Uncertainty (k=2) (\pm)
Conducted Emissions at mains ports	150 kHz ~ 30 MHz	2.44 dB
Radiated Emissions up to 1 GHz	30 MHz ~ 200 MHz	2.93 dB
	200 MHz ~ 1000 MHz	2.95 dB
Radiated Emissions above 1 GHz	1 GHz ~ 18 GHz	2.26 dB
	18 GHz ~ 40 GHz	1.94 dB

2.2 Modification Record

There were no modifications required for compliance.

3 General Information

3.1 General Description of EUT

Product	Montblanc SUMMIT
Brand	Montblanc
Test Model	MS744517
Status of EUT	Production Unit
Power Supply Rating	5.0 Vdc (host equipment) 3.8 Vdc (Li-ion battery)
Modulation Type	GFSK
Transfer Rate	1 Mbps
Operating Frequency	2402 ~ 2480 MHz
Number of Channel	40
Output Power	2.158 mW
Antenna Type	Loop antenna with -8.05 dBi gain
Antenna Connector	N/A
Accessory Device	Refer to Note as below
Data Cable Supplied	Refer to Note as below

Note:

- The EUT contains following accessory devices.

Product	Brand	Model	Description
Battery	APACK	APP-12F-B2727I-XCX-11A	3.8 Vdc, 300 mAh
USB Cable	Montblanc	LQ032028-1 LIQI	0.8m shielded cable w/o core
Cradle	Montblanc	AC101CDPA001	Voltage rating: 30V, Temperature rating: 80 °C, Insulation resistance:DC-500V 100MΩ
LCD Panel	GIS	AW0140002001	1.39"
CPU	Qualcomm	APQ8009W	575 Pin
eMMC (=ROM)	-	-	CMP=512MB RAM/ 4GB Flash (ePOP)
Main Board	UNITECH	DBW1 GA-500, UL94-V0	
BT/WLAN Module	Qualcomm	WCN3620	

- The above EUT information is declared by manufacturer and for more detailed features description, please refer to the manufacturer's specifications or User's Manual.

3.2 Construction of EUT

Component	Vendor	Model/Spec.	Configuration			
			SKU 1	SKU 2	SKU 3	SKU 4
CPU	Qualcomm	APQ8009W / 575 Pin	v	v	v	v
Main Board	UNITECH	DBW1 GA-500, UL94-V0	v	v	v	v
eMMC 1 (=ROM 1)	KSI	04EPOP04-EL3BM627-B02 / CMP=512MB RAM/ 4GB Flash (ePOP)	v	v	v	v
LCD Panel	GIS	AW0140002001 / 1.39"	v	v	v	v
BT/WLAN Module	Qualcomm	WCN3620	v	v	v	v
Battery	APACK	APP-12F-B2727I-XCX-11A / 3.8 Vdc, 300 mAh	v	v	v	v
Bezel	N/A	Stainless steel with primary color	v	v		
		Stainless steel + paint black color			v	
		Stainless steel + paint black + number				v
Case	N/A	Stainless steel with primary color	v			v
		Titanium with silver color		v		
		Stainless steel + paint black color			v	
Caseback	N/A	Stainless steel with primary color	v	v		v
		Stainless steel + paint black color			v	
Strap		Rubber/ leather	v	v	v	v

Note: SKU1~SKU4 have the same layout, circuit, and components, but different appearance.

3.3 Description of Test Modes

40 channels are provided to this EUT:

Channel	Freq. (MHz)	Channel	Freq. (MHz)	Channel	Freq. (MHz)	Channel	Freq. (MHz)
0	2402	10	2422	20	2442	30	2462
1	2404	11	2424	21	2444	31	2464
2	2406	12	2426	22	2446	32	2466
3	2408	13	2428	23	2448	33	2468
4	2410	14	2430	24	2450	34	2470
5	2412	15	2432	25	2452	35	2472
6	2414	16	2434	26	2454	36	2474
7	2416	17	2436	27	2456	37	2476
8	2418	18	2438	28	2458	38	2478
9	2420	19	2440	29	2460	39	2480

3.3.1 Test Mode Applicability and Tested Channel Detail

EUT Configure Mode	Applicable To				Description
	RE \geq 1G	RE<1G	PLC	APCM	
1	√	√	√	√	SKU 1
2	√	√	-	-	SKU 2
3	√	√	-	-	SKU 3
4	√	√	-	-	SKU 4

Where **RE \geq 1G**: Radiated Emission above 1 GHz **RE<1G**: Radiated Emission below 1 GHz
PLC: Power Line Conducted Emission **APCM**: Antenna Port Conducted Measurement

Note: The EUT had been pre-tested on the positioned of each 3 axis. The worst case was found when positioned on **Z-plane**.
Note: "-" means no effect.

Radiated Emission Test (Above 1 GHz):

- Pre-Scan has been conducted to determine the worst-case mode from all possible combinations between available modulations, data rates and antenna ports (if EUT with antenna diversity architecture).
- Following channel(s) was (were) selected for the final test as listed below.

EUT Configure Mode	Available Channel	Tested Channel	Modulation Type	Data Rate (Mbps)
1	0 to 39	0, 19, 39	GFSK	1
2~4	0 to 39	39	GFSK	1

Radiated Emission Test (Below 1 GHz):

- Pre-Scan has been conducted to determine the worst-case mode from all possible combinations between available modulations, data rates and antenna ports (if EUT with antenna diversity architecture).
- Following channel(s) was (were) selected for the final test as listed below.

EUT Configure Mode	Available Channel	Tested Channel	Modulation Type	Data Rate (Mbps)
1~4	0 to 39	39	GFSK	1

Power Line Conducted Emission Test:

- Pre-Scan has been conducted to determine the worst-case mode from all possible combinations between available modulations, data rates and antenna ports (if EUT with antenna diversity architecture).
- Following channel(s) was (were) selected for the final test as listed below.

EUT Configure Mode	Available Channel	Tested Channel	Modulation Type	Data Rate (Mbps)
1	0 to 39	39	GFSK	1

Antenna Port Conducted Measurement:

- This item includes all test value of each mode, but only includes spectrum plot of worst value of each mode.
- Pre-Scan has been conducted to determine the worst-case mode from all possible combinations between available modulations, data rates and antenna ports (if EUT with antenna diversity architecture).
- Following channel(s) was (were) selected for the final test as listed below.

EUT Configure Mode	Available Channel	Tested Channel	Modulation Type	Data Rate (Mbps)
1	0 to 39	0, 19, 39	GFSK	1

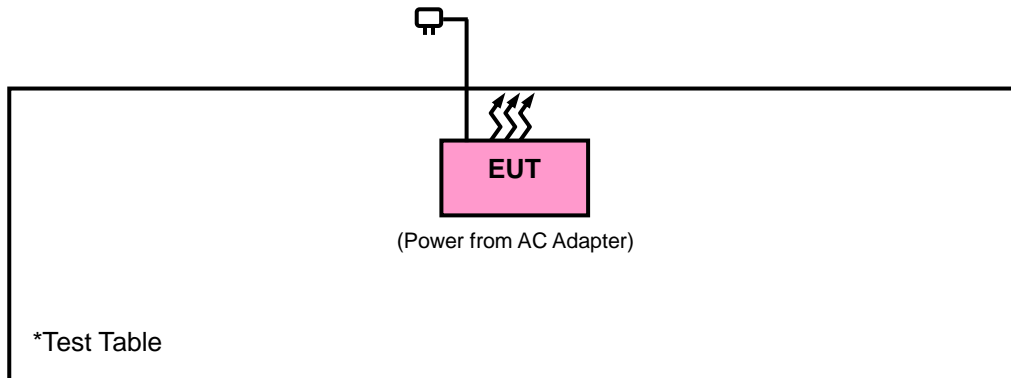
Test Condition:

Applicable To	Environmental Conditions	Input Power	Tested by
RE \geq 1G	25 deg. C, 65 % RH	120 Vac, 60 Hz	Getaz Yang, Gavin Wu
RE $<$ 1G	25 deg. C, 65 % RH	120 Vac, 60 Hz	Getaz Yang
PLC	25 deg. C, 65 % RH	120 Vac, 60 Hz	Toby Tian
APCM	25 deg. C, 65 % RH	3.8 Vdc	Taylor Liu

3.4 Description of Support Units

The EUT has been tested as an independent unit together with other necessary accessories or support units.

3.4.1 Configuration of System under Test



3.5 General Description of Applied Standards

The EUT is a RF Product. According to the specifications of the manufacturer, it must comply with the requirements of the following standards:

FCC Part 15, Subpart C (15.247)

558074 D01 DTS Meas Guidance v03r05

ANSI C63.10-2013

All test items have been performed and recorded as per the above standards.

Note: The EUT has been verified to comply with the requirements of FCC Part 15, Subpart B, Class B (DoC).
The test report has been issued separately.

4 Test Types and Results

4.1 Radiated Emission and Bandedge Measurement

4.1.1 Limits of Radiated Emission and Bandedge Measurement

Radiated emissions which fall in the restricted bands must comply with the radiated emission limits specified as below table. Other emissions shall be at least 20 dB below the highest level of the desired power:

Frequencies (MHz)	Field Strength (microvolts/meter)	Measurement Distance (meters)
0.009 ~ 0.490	2400/F (kHz)	300
0.490 ~ 1.705	24000/F (kHz)	30
1.705 ~ 30.0	30	30
30 ~ 88	100	3
88 ~ 216	150	3
216 ~ 960	200	3
Above 960	500	3

Note:

1. The lower limit shall apply at the transition frequencies.
2. Emission level (dBuV/m) = 20 log Emission level (uV/m).
3. For frequencies above 1000 MHz, the field strength limits are based on average detector, however, the peak field strength of any emission shall not exceed the maximum permitted average limits, specified above by more than 20 dB under any condition of modulation.

4.1.2 Test Instruments

Description & Manufacturer	Model No.	Serial No.	Date of Calibration	Due Date of Calibration
Test Receiver Agilent Technologies	N9038A	MY52260177	Jun. 21, 2016	Jun. 20, 2017
Spectrum Analyzer Agilent	N9010A	MY52220314	Dec. 16, 2016	Dec. 15, 2017
Spectrum Analyzer ROHDE & SCHWARZ	FSU43	101261	Dec. 13, 2016	Dec. 12, 2017
BILOG Antenna SCHWARZBECK	VULB9168	9168-472	Dec. 26, 2016	Dec. 27, 2017
HORN Antenna SCHWARZBECK	BBHA 9120 D	9120D-969	Dec. 12, 2016	Dec. 13, 2017
HORN Antenna SCHWARZBECK	BBHA 9170	9170-480	Dec. 14, 2016	Dec. 13, 2017
Loop Antenna	EM-6879	269	Aug. 11, 2016	Aug. 10, 2017
Bluetooth Tester	CBT	100980	Apr. 27, 2015	Apr. 26, 2017
Preamplifier EMCI	EMC 012645	980115	Oct. 21, 2016	Oct. 20, 2017
Preamplifier EMCI	EMC 184045	980116	Oct. 21, 2016	Oct. 20, 2017
Preamplifier EMCI	EMC 330H	980112	Oct. 21, 2016	Oct. 20, 2017
Power Meter Anritsu	ML2495A	1232002	Sep. 08, 2016	Sep. 07, 2017
Power Sensor Anritsu	MA2411B	1207325	Sep. 08, 2016	Sep. 07, 2017
RF signal cable HUBER+SUHNNER	SUCOFLEX 104	309219/4 2950114	Oct. 21, 2016	Oct. 20, 2017
RF signal cable HUBER+SUHNNER	SUCOFLEX 104	250130/4	Oct. 21, 2016	Oct. 20, 2017
RF Coaxial Cable Worken	8D-FB	Cable-Ch10-01	Oct. 21, 2016	Oct. 20, 2017
Software BV ADT	E3 6.120103	NA	NA	NA
Antenna Tower MF	MFA-440H	NA	NA	NA
Turn Table MF	MFT-201SS	NA	NA	NA
Antenna Tower & Turn Table Controller MF	MF-7802	NA	NA	NA

- Note: 1. The calibration interval of the above test instruments is 12 months and the calibrations are traceable to NML/ROC and NIST/USA.
2. The test was performed in HwaYa Chamber 10.
3. The horn antenna and preamplifier (model: EMC 184045) are used only for the measurement of emission frequency above 1GHz if tested.
4. The FCC Site Registration No. is 690701.
5. The IC Site Registration No. is IC7450F-10.

4.1.3 Test Procedures

- a. The EUT was placed on the top of a rotating table 0.8 meters (for below 1 GHz) / 1.5 meters (for above 1 GHz) above the ground at 3 meter chamber room for test. The table was rotated 360 degrees to determine the position of the highest radiation.
- b. The EUT was set 3 meters away from the interference-receiving antenna, which was mounted on the top of a variable-height antenna tower.
- c. The height of antenna is varied from one meter to four meters above the ground to determine the maximum value of the field strength. Both horizontal and vertical polarizations of the antenna are set to make the measurement.
- d. For each suspected emission, the EUT was arranged to its worst case and then the antenna was tuned to heights from 1 meter to 4 meters and the rotatable table was turned from 0 degrees to 360 degrees to find the maximum reading.
- e. The test-receiver system was set to quasi-peak detect function and specified bandwidth with maximum hold mode when the test frequency is below 1 GHz.
- f. The test-receiver system was set to peak and average detected function and specified bandwidth with maximum hold mode when the test frequency is above 1 GHz. If the peak reading value also meets average limit, measurement with the average detector is unnecessary.

Note:

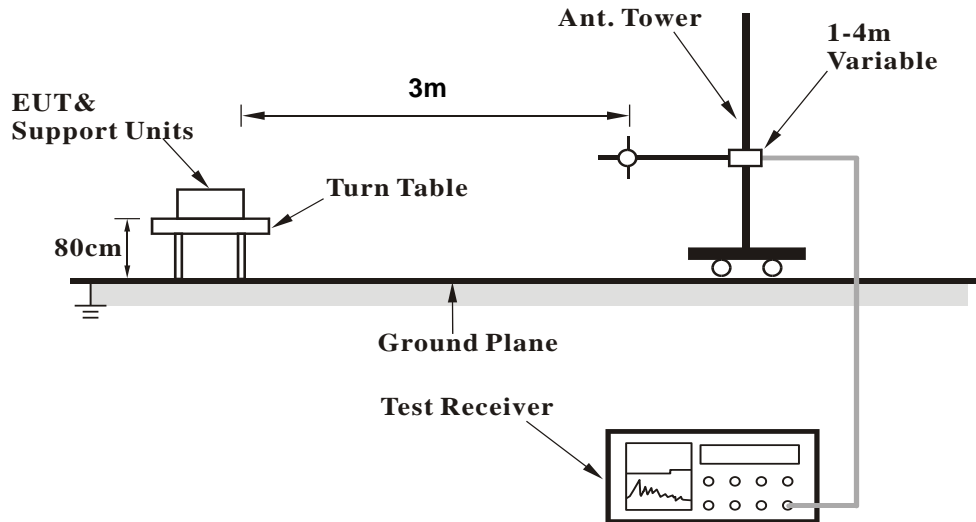
1. The resolution bandwidth and video bandwidth of test receiver/spectrum analyzer is 120 kHz & 360 kHz for Quasi-peak detection (QP) at frequency below 1 GHz.
2. The resolution bandwidth of test receiver/spectrum analyzer is 1 MHz and the video bandwidth is 3 MHz for Peak detection (PK) at frequency above 1 GHz.
3. The resolution bandwidth of test receiver/spectrum analyzer is 1 MHz and the video bandwidth is 1/T for RMS Average (Duty cycle < 98 %) for Peak detection at frequency above 1 GHz.
4. The resolution bandwidth of test receiver/spectrum analyzer is 1 MHz and the video bandwidth is 10 Hz (Duty cycle ≥ 98 %) for Average detection (AV) at frequency above 1 GHz.
5. All modes of operation were investigated and the worst-case emissions are reported.

4.1.4 Deviation from Test Standard

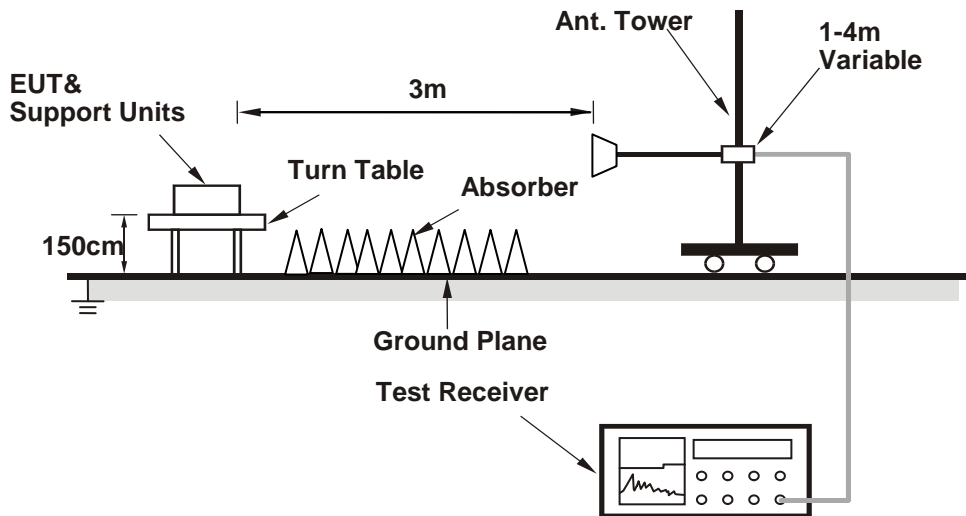
No deviation.

4.1.5 Test Set Up

<Frequency Range below 1 GHz>



<Frequency Range above 1 GHz>



For the actual test configuration, please refer to the attached file (Test Setup Photo).

4.1.6 EUT Operating Conditions

- a. Placed the EUT on the testing table.
- b. Set the EUT under transmission condition continuously at specific channel frequency.

4.1.7 Test Results

ABOVE 1 GHz DATA :

Mode 1

EUT Test Condition		Measurement Detail	
Channel	Channel 0	Frequency Range	1 GHz ~ 25 GHz
Input Power	120 Vac, 60 Hz	Detector Function	Peak (PK) Average (AV)
Environmental Conditions	25 deg. C, 65 % RH	Tested By	Getaz Yang

Antennal Polarity & Test Distance: Horizontal at 3 m										
Frequency (MHz)	Emission Level (dBuV/m)	Read Level (dBuV)	Limit (dBuV/m)	Margin (dB)	Antenna Factor (dB/m)	Cable Loss (dB)	Preamp Factor (dB)	Antenna Height (cm)	Table Angle (Degree)	Remark
2356.35	57.39	64.02	74	-16.61	26.81	4.05	37.49	159	360	Peak
2383.08	35.68	42.24	54	-18.32	26.86	4.08	37.5	159	360	Average
2402	85.63	92.15			26.91	4.09	37.52	159	360	Average
2402	88.37	94.89			26.91	4.09	37.52	159	360	Peak
4804	34.1	49.44	54	-19.9	30.97	6.79	53.1	103	270	Average
4804	42.45	57.79	74	-31.55	30.97	6.79	53.1	103	270	Peak

Antennal Polarity & Test Distance: Vertical at 3 m										
Frequency (MHz)	Emission Level (dBuV/m)	Read Level (dBuV)	Limit (dBuV/m)	Margin (dB)	Antenna Factor (dB/m)	Cable Loss (dB)	Preamp Factor (dB)	Antenna Height (cm)	Table Angle (Degree)	Remark
2385.69	56.88	63.39	74	-17.12	26.91	4.08	37.5	102	192	Peak
2389.83	35.66	42.19	54	-18.34	26.91	4.08	37.52	102	192	Average
2402	80.52	87.04			26.91	4.09	37.52	102	192	Average
2402	83.3	89.82			26.91	4.09	37.52	102	192	Peak
4804	34.17	49.51	54	-19.83	30.97	6.79	53.1	149	41	Average
4804	42.4	57.74	74	-31.6	30.97	6.79	53.1	149	41	Peak

Remarks:

- Emission Level = Read Level + Antenna Factor + Cable Loss - Preamp Factor
Margin value = Emission level – Limit value
- 2402 MHz: Fundamental frequency.

EUT Test Condition		Measurement Detail	
Channel	Channel 19	Frequency Range	1 GHz ~ 25 GHz
Input Power	120 Vac, 60 Hz	Detector Function	Peak (PK) Average (AV)
Environmental Conditions	25 deg. C, 65 % RH	Tested By	Getaz Yang

Antennal Polarity & Test Distance: Horizontal at 3 m										
Frequency (MHz)	Emission Level (dBuV/m)	Read Level (dBuV)	Limit (dBuV/m)	Margin (dB)	Antenna Factor (dB/m)	Cable Loss (dB)	Preamp Factor (dB)	Antenna Height (cm)	Table Angle (Degree)	Remark
2389.65	58.53	65.04	74	-15.47	26.91	4.08	37.5	157	360	Peak
2389.92	35.64	42.17	54	-18.36	26.91	4.08	37.52	157	360	Average
2440	86.01	92.29			27.06	4.12	37.46	157	360	Average
2440	88.68	94.96			27.06	4.12	37.46	157	360	Peak
2487.64	57.37	63.33	74	-16.63	27.2	4.16	37.32	157	360	Peak
2498.64	36.21	42.1	54	-17.79	27.2	4.16	37.25	157	360	Average
4880	34.32	49.46	54	-19.68	31.06	6.85	53.05	102	275	Average
4880	44.36	59.5	74	-29.64	31.06	6.85	53.05	102	275	Peak
Antennal Polarity & Test Distance: Vertical at 3 m										
Frequency (MHz)	Emission Level (dBuV/m)	Read Level (dBuV)	Limit (dBuV/m)	Margin (dB)	Antenna Factor (dB/m)	Cable Loss (dB)	Preamp Factor (dB)	Antenna Height (cm)	Table Angle (Degree)	Remark
2337.27	57.9	64.56	74	-16.1	26.77	4.04	37.47	100	184	Peak
2387.85	35.65	42.16	54	-18.35	26.91	4.08	37.5	100	184	Average
2440	80.23	86.51			27.06	4.12	37.46	100	184	Average
2440	83.03	89.31			27.06	4.12	37.46	100	184	Peak
2496.52	58	63.89	74	-16	27.2	4.16	37.25	100	184	Peak
2496.84	36.19	42.08	54	-17.81	27.2	4.16	37.25	100	184	Average
4880	34.33	49.47	54	-19.67	31.06	6.85	53.05	151	39	Average
4880	44.9	60.04	74	-29.1	31.06	6.85	53.05	151	39	Peak

Remarks:

- Emission Level = Read Level + Antenna Factor + Cable Loss - Preamp Factor
Margin value = Emission level – Limit value
- 2440 MHz: Fundamental frequency.

EUT Test Condition		Measurement Detail	
Channel	Channel 39	Frequency Range	1 GHz ~ 25 GHz
Input Power	120 Vac, 60 Hz	Detector Function	Peak (PK) Average (AV)
Environmental Conditions	25 deg. C, 65 % RH	Tested By	Getaz Yang

Antennal Polarity & Test Distance: Horizontal at 3 m										
Frequency (MHz)	Emission Level (dBuV/m)	Read Level (dBuV)	Limit (dBuV/m)	Margin (dB)	Antenna Factor (dB/m)	Cable Loss (dB)	Preamp Factor (dB)	Antenna Height (cm)	Table Angle (Degree)	Remark
2480	85.44	91.46			27.15	4.15	37.32	170	360	Average
2480	88.73	94.75			27.15	4.15	37.32	170	360	Peak
2483.52	36.5	42.52	54	-17.5	27.15	4.15	37.32	170	360	Average
2484.4	58.74	64.76	74	-15.26	27.15	4.15	37.32	170	360	Peak
4960	34.63	49.6	54	-19.37	31.16	6.91	53.04	100	280	Average
4960	43.59	58.56	74	-30.41	31.16	6.91	53.04	100	280	Peak
Antennal Polarity & Test Distance: Vertical at 3 m										
Frequency (MHz)	Emission Level (dBuV/m)	Read Level (dBuV)	Limit (dBuV/m)	Margin (dB)	Antenna Factor (dB/m)	Cable Loss (dB)	Preamp Factor (dB)	Antenna Height (cm)	Table Angle (Degree)	Remark
2480	80.15	86.17			27.15	4.15	37.32	100	184	Average
2480	83.18	89.2			27.15	4.15	37.32	100	184	Peak
2483.52	36.21	42.23	54	-17.79	27.15	4.15	37.32	100	184	Average
2495.6	57.44	63.33	74	-16.56	27.2	4.16	37.25	100	184	Peak
4960	34.21	49.18	54	-19.79	31.16	6.91	53.04	144	45	Average
4960	42.12	57.09	74	-31.88	31.16	6.91	53.04	144	45	Peak

Remarks:

- Emission Level = Read Level + Antenna Factor + Cable Loss - Preamp Factor
Margin value = Emission level – Limit value
- 2480 MHz: Fundamental frequency.

Mode 2

EUT Test Condition		Measurement Detail	
Channel	Channel 39	Frequency Range	1 GHz ~ 25 GHz
Input Power	120 Vac, 60 Hz	Detector Function	Peak (PK) Average (AV)
Environmental Conditions	25 deg. C, 65 % RH	Tested By	Gavin Wu

Antennal Polarity & Test Distance: Horizontal at 3 m										
Frequency (MHz)	Emission Level (dBuV/m)	Read Level (dBuV)	Limit (dBuV/m)	Margin (dB)	Antenna Factor (dB/m)	Cable Loss (dB)	Preamp Factor (dB)	Antenna Height (cm)	Table Angle (Degree)	Remark
2480	86.42	92.44			27.15	4.15	37.32	227	327	Average
2480	87.15	93.17			27.15	4.15	37.32	227	327	Peak
2483.56	36.65	42.67	54	-17.35	27.15	4.15	37.32	227	327	Average
2497.72	47	52.89	74	-27	27.2	4.16	37.25	227	327	Peak
4960	34.26	49.23	54	-19.74	31.16	6.91	53.04	111	128	Average
4960	43.49	58.46	74	-30.51	31.16	6.91	53.04	111	128	Peak
Antennal Polarity & Test Distance: Vertical at 3 m										
Frequency (MHz)	Emission Level (dBuV/m)	Read Level (dBuV)	Limit (dBuV/m)	Margin (dB)	Antenna Factor (dB/m)	Cable Loss (dB)	Preamp Factor (dB)	Antenna Height (cm)	Table Angle (Degree)	Remark
2480	85.92	91.94			27.15	4.15	37.32	165	203	Average
2480	86.6	92.62			27.15	4.15	37.32	165	203	Peak
2483.52	37.18	43.2	54	-16.82	27.15	4.15	37.32	165	203	Average
2499.96	47.42	53.31	74	-26.58	27.2	4.16	37.25	165	203	Peak
4960	34.03	49	54	-19.97	31.16	6.91	53.04	100	136	Average
4960	43.01	57.98	74	-30.99	31.16	6.91	53.04	100	136	Peak

Remarks:

- Emission Level = Read Level + Antenna Factor + Cable Loss - Preamp Factor
Margin value = Emission level – Limit value
- 2480 MHz: Fundamental frequency.

Mode 3

EUT Test Condition		Measurement Detail	
Channel	Channel 39	Frequency Range	1 GHz ~ 25 GHz
Input Power	120 Vac, 60 Hz	Detector Function	Peak (PK) Average (AV)
Environmental Conditions	25 deg. C, 65 % RH	Tested By	Gavin Wu

Antennal Polarity & Test Distance: Horizontal at 3 m										
Frequency (MHz)	Emission Level (dBuV/m)	Read Level (dBuV)	Limit (dBuV/m)	Margin (dB)	Antenna Factor (dB/m)	Cable Loss (dB)	Preamp Factor (dB)	Antenna Height (cm)	Table Angle (Degree)	Remark
2480	85.48	91.5			27.15	4.15	37.32	119	322	Average
2480	86.06	92.08			27.15	4.15	37.32	119	322	Peak
2487.64	35.54	41.5	54	-18.46	27.2	4.16	37.32	119	322	Average
2491.52	57.82	63.78	74	-16.18	27.2	4.16	37.32	119	322	Peak
4960	34.35	49.32	54	-19.65	31.16	6.91	53.04	100	121	Average
4960	44.53	59.5	74	-29.47	31.16	6.91	53.04	100	121	Peak
Antennal Polarity & Test Distance: Vertical at 3 m										
Frequency (MHz)	Emission Level (dBuV/m)	Read Level (dBuV)	Limit (dBuV/m)	Margin (dB)	Antenna Factor (dB/m)	Cable Loss (dB)	Preamp Factor (dB)	Antenna Height (cm)	Table Angle (Degree)	Remark
2480	82.73	88.75			27.15	4.15	37.32	164	2	Average
2480	83.48	89.5			27.15	4.15	37.32	164	2	Peak
2496	35.06	40.95	54	-18.94	27.2	4.16	37.25	164	2	Average
2498.84	55.47	61.36	74	-18.53	27.2	4.16	37.25	164	2	Peak
4960	34.01	48.98	54	-19.99	31.16	6.91	53.04	103	132	Average
4960	43.25	58.22	74	-30.75	31.16	6.91	53.04	103	132	Peak

Remarks:

- Emission Level = Read Level + Antenna Factor + Cable Loss - Preamp Factor
Margin value = Emission level – Limit value
- 2480 MHz: Fundamental frequency.

Mode 4

EUT Test Condition		Measurement Detail	
Channel	Channel 39	Frequency Range	1 GHz ~ 25 GHz
Input Power	120 Vac, 60 Hz	Detector Function	Peak (PK) Average (AV)
Environmental Conditions	25 deg. C, 65 % RH	Tested By	Getaz Yang

Antennal Polarity & Test Distance: Horizontal at 3 m										
Frequency (MHz)	Emission Level (dBuV/m)	Read Level (dBuV)	Limit (dBuV/m)	Margin (dB)	Antenna Factor (dB/m)	Cable Loss (dB)	Preamp Factor (dB)	Antenna Height (cm)	Table Angle (Degree)	Remark
2480	82.02	88.04			27.15	4.15	37.32	200	53	Average
2480	82.69	88.71			27.15	4.15	37.32	200	53	Peak
2491.44	57.94	63.9	74	-16.06	27.2	4.16	37.32	200	53	Peak
2493.24	36.29	42.18	54	-17.71	27.2	4.16	37.25	200	53	Average
4960	34.55	49.52	54	-19.45	31.16	6.91	53.04	100	123	Average
4960	44.51	59.48	74	-29.49	31.16	6.91	53.04	100	123	Peak
Antennal Polarity & Test Distance: Vertical at 3 m										
Frequency (MHz)	Emission Level (dBuV/m)	Read Level (dBuV)	Limit (dBuV/m)	Margin (dB)	Antenna Factor (dB/m)	Cable Loss (dB)	Preamp Factor (dB)	Antenna Height (cm)	Table Angle (Degree)	Remark
2480	79.55	85.57			27.15	4.15	37.32	200	176	Average
2480	80.3	86.32			27.15	4.15	37.32	200	176	Peak
2484.32	56.6	62.62	74	-17.4	27.15	4.15	37.32	200	176	Peak
2484.44	35.37	41.39	54	-18.63	27.15	4.15	37.32	200	176	Average
4960	34.11	49.08	54	-19.89	31.16	6.91	53.04	106	198	Average
4960	44	58.97	74	-30	31.16	6.91	53.04	106	198	Peak

Remarks:

- Emission Level = Read Level + Antenna Factor + Cable Loss - Preamp Factor
Margin value = Emission level – Limit value
- 2480 MHz: Fundamental frequency.

9 kHz ~ 30 MHz DATA:

The amplitude of spurious emissions attenuated more than 20 dB below the permissible value is not required to be report.

30 MHz ~ 1 GHz WORST-CASE DATA:

Mode 1

EUT Test Condition		Measurement Detail	
Channel	Channel 39	Frequency Range	30 MHz ~ 1 GHz
Input Power	120 Vac, 60 Hz	Detector Function	Peak (PK) Quasi-peak (QP)
Environmental Conditions	25 deg. C, 65 % RH	Tested By	Gavin Wu

Antennal Polarity & Test Distance: Horizontal at 3 m										
Frequency (MHz)	Emission Level (dBuV/m)	Read Level (dBuV)	Limit (dBuV/m)	Margin (dB)	Antenna Factor (dB/m)	Cable Loss (dB)	Preamp Factor (dB)	Antenna Height (cm)	Table Angle (Degree)	Remark
91.11	21.46	44.07	43.5	-22.04	8.38	0.97	31.96	114	226	Peak
193.93	23.23	43.9	43.5	-20.27	9.77	1.27	31.71	137	128	Peak
353.01	25.54	41.43	46	-20.46	14.22	1.77	31.88	113	177	Peak
417.03	26.02	40.43	46	-19.98	15.68	1.94	32.03	123	311	Peak
481.05	28.45	41.29	46	-17.55	16.95	2.05	31.84	136	283	Peak
707.06	26.49	34.87	46	-19.51	20.92	2.46	31.76	135	213	Peak
Antennal Polarity & Test Distance: Vertical at 3 m										
Frequency (MHz)	Emission Level (dBuV/m)	Read Level (dBuV)	Limit (dBuV/m)	Margin (dB)	Antenna Factor (dB/m)	Cable Loss (dB)	Preamp Factor (dB)	Antenna Height (cm)	Table Angle (Degree)	Remark
31.94	32.37	50.59	40	-7.63	12.3	0.59	31.11	119	165	Peak
93.05	24.24	46.68	43.5	-19.26	8.53	0.99	31.96	102	82	Peak
416.06	21.42	35.85	46	-24.58	15.66	1.94	32.03	115	26	Peak
481.05	29.25	42.09	46	-16.75	16.95	2.05	31.84	123	299	Peak
513.06	24.32	36.16	46	-21.68	17.62	2.12	31.58	100	147	Peak
579.99	26.3	37.05	46	-19.7	19.15	2.22	32.12	127	196	Peak

Remarks:

- Emission Level = Read Level + Antenna Factor + Cable Loss - Preamp Factor
Margin value = Emission level – Limit value

Mode 2

EUT Test Condition		Measurement Detail	
Channel	Channel 39	Frequency Range	30 MHz ~ 1 GHz
Input Power	120 Vac, 60 Hz	Detector Function	Peak (PK) Quasi-peak (QP)
Environmental Conditions	25 deg. C, 65 % RH	Tested By	Gavin Wu

Antennal Polarity & Test Distance: Horizontal at 3 m

Frequency (MHz)	Emission Level (dBuV/m)	Read Level (dBuV)	Limit (dBuV/m)	Margin (dB)	Antenna Factor (dB/m)	Cable Loss (dB)	Preamp Factor (dB)	Antenna Height (cm)	Table Angle (Degree)	Remark
119.24	26.69	46.5	43.5	-16.81	10.93	1.15	31.89	123	32	Peak
128.94	24.81	43.94	43.5	-18.69	11.61	1.14	31.88	134	7	Peak
493.66	20.11	32.55	46	-25.89	17.2	2.08	31.72	102	339	Peak
507.24	24.7	36.71	46	-21.3	17.48	2.11	31.6	124	107	Peak
554.77	20.58	31.84	46	-25.42	18.57	2.18	32.01	118	352	Peak
652.74	23.1	32.5	46	-22.9	20.24	2.36	32	120	147	Peak

Antennal Polarity & Test Distance: Vertical at 3 m

Frequency (MHz)	Emission Level (dBuV/m)	Read Level (dBuV)	Limit (dBuV/m)	Margin (dB)	Antenna Factor (dB/m)	Cable Loss (dB)	Preamp Factor (dB)	Antenna Height (cm)	Table Angle (Degree)	Remark
30	31.72	50.3	40	-8.28	11.98	0.58	31.14	116	28	Peak
42.61	23.82	40.66	40	-16.18	13.58	0.66	31.08	109	269	Peak
70.74	22.04	42.45	40	-17.96	10.53	0.85	31.79	107	187	Peak
576.11	29.62	40.44	46	-16.38	19.06	2.22	32.1	115	357	Peak
628.49	22.47	32.36	46	-23.53	19.95	2.31	32.15	115	59	Peak
672.14	24.48	33.42	46	-21.52	20.48	2.4	31.82	133	73	Peak

Remarks:

- Emission Level = Read Level + Antenna Factor + Cable Loss - Preamp Factor
Margin value = Emission level – Limit value

Mode 3

EUT Test Condition		Measurement Detail	
Channel	Channel 39	Frequency Range	30 MHz ~ 1 GHz
Input Power	120 Vac, 60 Hz	Detector Function	Peak (PK) Quasi-peak (QP)
Environmental Conditions	25 deg. C, 65 % RH	Tested By	Gavin Wu

Antennal Polarity & Test Distance: Horizontal at 3 m

Frequency (MHz)	Emission Level (dBuV/m)	Read Level (dBuV)	Limit (dBuV/m)	Margin (dB)	Antenna Factor (dB/m)	Cable Loss (dB)	Preamp Factor (dB)	Antenna Height (cm)	Table Angle (Degree)	Remark
120.21	30.38	50.1	43.5	-13.12	11.02	1.16	31.9	106	86	Peak
198.78	18.18	39.22	43.5	-25.32	9.43	1.29	31.76	105	108	Peak
238.55	23.68	43.03	46	-22.32	10.99	1.45	31.79	132	46	Peak
300.63	21.99	39.25	46	-24.01	12.96	1.63	31.85	123	308	Peak
318.09	25.68	42.52	46	-20.32	13.38	1.68	31.9	133	47	Peak
628.49	24.5	34.39	46	-21.5	19.95	2.31	32.15	139	125	Peak

Antennal Polarity & Test Distance: Vertical at 3 m

Frequency (MHz)	Emission Level (dBuV/m)	Read Level (dBuV)	Limit (dBuV/m)	Margin (dB)	Antenna Factor (dB/m)	Cable Loss (dB)	Preamp Factor (dB)	Antenna Height (cm)	Table Angle (Degree)	Remark
34.85	26.03	43.7	40	-13.97	12.79	0.6	31.06	100	200	Peak
64.92	29.86	49.26	40	-10.14	11.35	0.84	31.59	114	271	Peak
118.27	27.01	46.92	43.5	-16.49	10.83	1.15	31.89	119	91	Peak
237.58	17.38	36.79	46	-28.62	10.95	1.44	31.8	102	278	Peak
348.16	18.67	34.65	46	-27.33	14.1	1.76	31.84	109	38	Peak
663.41	25.66	34.81	46	-20.34	20.37	2.38	31.9	108	110	Peak

Remarks:

- Emission Level = Read Level + Antenna Factor + Cable Loss - Preamp Factor
Margin value = Emission level – Limit value

Mode 4

EUT Test Condition		Measurement Detail	
Channel	Channel 39	Frequency Range	30 MHz ~ 1 GHz
Input Power	120 Vac, 60 Hz	Detector Function	Peak (PK) Quasi-peak (QP)
Environmental Conditions	25 deg. C, 65 % RH	Tested By	Gavin Wu

Antennal Polarity & Test Distance: Horizontal at 3 m

Frequency (MHz)	Emission Level (dBuV/m)	Read Level (dBuV)	Limit (dBuV/m)	Margin (dB)	Antenna Factor (dB/m)	Cable Loss (dB)	Preamp Factor (dB)	Antenna Height (cm)	Table Angle (Degree)	Remark
117.3	26.46	46.46	43.5	-17.04	10.74	1.14	31.88	107	299	Peak
225.94	20.25	40.19	46	-25.75	10.46	1.4	31.8	132	318	Peak
317.12	25.9	42.77	46	-20.1	13.36	1.68	31.91	124	67	Peak
531.49	28.75	40.27	46	-17.25	18.04	2.14	31.7	114	20	Peak
583.87	24.64	35.31	46	-21.36	19.23	2.23	32.13	132	330	Peak
659.53	24.56	33.8	46	-21.44	20.33	2.38	31.95	139	220	Peak

Antennal Polarity & Test Distance: Vertical at 3 m

Frequency (MHz)	Emission Level (dBuV/m)	Read Level (dBuV)	Limit (dBuV/m)	Margin (dB)	Antenna Factor (dB/m)	Cable Loss (dB)	Preamp Factor (dB)	Antenna Height (cm)	Table Angle (Degree)	Remark
64.92	29.04	48.44	40	-10.96	11.35	0.84	31.59	133	31	Peak
121.18	26.97	46.62	43.5	-16.53	11.09	1.16	31.9	140	116	Peak
459.71	28.88	42.34	46	-17.12	16.52	2.01	31.99	128	51	Peak
606.18	29.29	39.49	46	-16.71	19.68	2.27	32.15	114	71	Peak
673.11	27.9	36.83	46	-18.1	20.49	2.4	31.82	102	159	Peak
740.04	27.39	34.97	46	-18.61	21.38	2.52	31.48	114	340	Peak

Remarks:

- Emission Level = Read Level + Antenna Factor + Cable Loss - Preamp Factor
Margin value = Emission level – Limit value

4.2 Conducted Emission Measurement

4.2.1 Limits of Conducted Emission Measurement

Frequency (MHz)	Conducted Limit (dBuV)	
	Quasi-peak	Average
0.15 - 0.5	66 - 56	56 - 46
0.50 - 5.0	56	46
5.0 - 30.0	60	50

4.2.2 Test Instruments

Description & Manufacturer	Model No.	Serial No.	Date Of Calibration	Due Date Of Calibration
Test Receiver ROHDE & SCHWARZ	ESCI	100613	Nov. 21, 2016	Nov. 20, 2017
RF signal cable (with 10dB PAD) Woken	5D-FB	Cable-cond1-01	Dec. 22, 2016	Dec. 21, 2017
LISN ROHDE & SCHWARZ (EUT)	ESH3-Z5	835239/001	Feb. 26, 2016	Feb. 25, 2017
LISN ROHDE & SCHWARZ (Peripheral)	ESH3-Z5	100311	Jul. 28, 2016	Jul. 27, 2017
Software ADT	BV ADT_Cond_ V7.3.7.3	NA	NA	NA

- Note: 1. The calibration interval of the above test instruments is 12 months and the calibrations are traceable to NML/ROC and NIST/USA.
 2. The test was performed in HwaYa Shielded Room 1.
 3. The VCCI Site Registration No. is C-2040.

4.2.3 Test Procedures

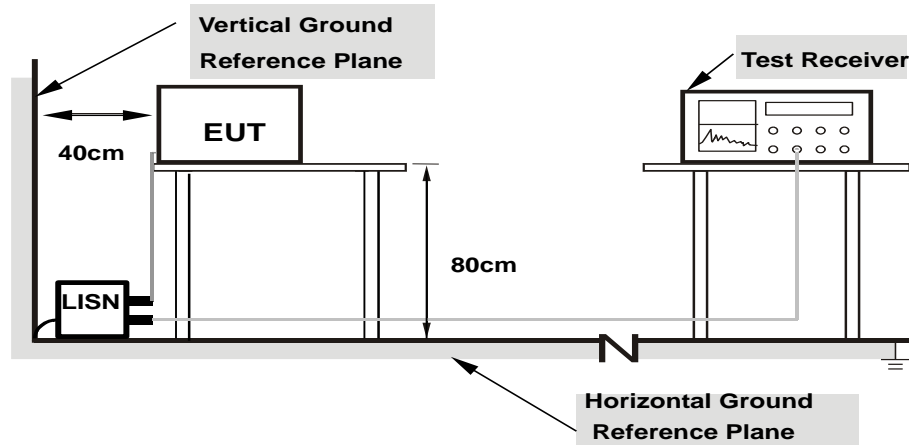
- The EUT was placed 0.4 meters from the conducting wall of the shielded room with EUT being connected to the power mains through a line impedance stabilization network (LISN). Other support units were connected to the power mains through another LISN. The two LISNs provide 50 ohm/50 uH of coupling impedance for the measuring instrument.
- Both lines of the power mains connected to the EUT were checked for maximum conducted interference.
- The frequency range from 150 kHz to 30 MHz was searched. Emission levels under (Limit – 20 dB) was not recorded.

Note: All modes of operation were investigated and the worst-case emissions are reported.

4.2.4 Deviation from Test Standard

No deviation.

4.2.5 TEST SETUP



Note: 1.Support units were connected to second LISN.

2.Both of LISNs (AMN) are 80 cm from EUT and at least 80 from other units and other metal planes

4.2.6 EUT Operating Conditions

- Placed the EUT on the testing table.
- Set the EUT under transmission condition continuously at specific channel frequency.

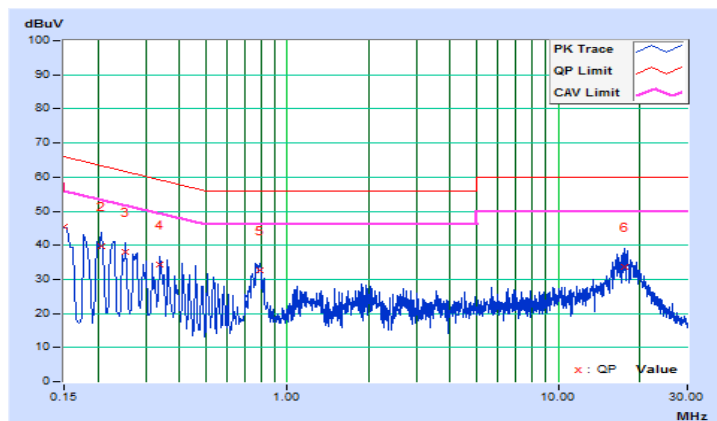
4.2.7 Test Results

Frequency Range	150kHz ~ 30MHz	Detector Function & Resolution Bandwidth	Quasi-Peak (QP) / Average (AV), 9kHz
Input Power	120Vac, 60Hz	Environmental Conditions	25°C, 65%RH
Tested by	Toby Tian	Test Date	2016/12/31

Phase Of Power : Line (L)										
No	Frequency (MHz)	Correction Factor (dB)	Reading Value (dBuV)		Emission Level (dBuV)		Limit (dBuV)		Margin (dB)	
			Q.P.	AV.	Q.P.	AV.	Q.P.	AV.	Q.P.	AV.
1	0.15000	10.11	35.43	19.48	45.54	29.59	66.00	56.00	-20.46	-26.41
2	0.20600	10.14	29.73	12.21	39.87	22.35	63.37	53.37	-23.50	-31.02
3	0.25400	10.15	27.90	10.96	38.05	21.11	61.63	51.63	-23.58	-30.52
4	0.33800	10.16	24.20	10.03	34.36	20.19	59.25	49.25	-24.89	-29.06
5	0.79000	10.18	22.52	15.44	32.70	25.62	56.00	46.00	-23.30	-20.38
6	17.48600	11.26	22.44	11.45	33.70	22.71	60.00	50.00	-26.30	-27.29

Remarks:

1. Q.P. and AV. are abbreviations of quasi-peak and average individually.
2. The emission levels of other frequencies were very low against the limit.
3. Margin value = Emission level – Limit value
4. Correction factor = Insertion loss + Cable loss
5. Emission Level = Correction Factor + Reading Value

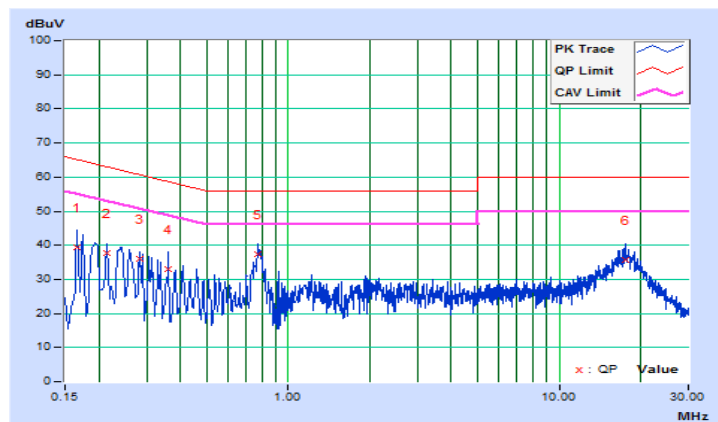


Frequency Range	150kHz ~ 30MHz	Detector Function & Resolution Bandwidth	Quasi-Peak (QP) / Average (AV), 9kHz
Input Power	120Vac, 60Hz	Environmental Conditions	25°C, 65%RH
Tested by	Toby Tian	Test Date	2016/12/31

Phase Of Power : Neutral (N)										
No	Frequency (MHz)	Correction Factor (dB)	Reading Value (dBuV)		Emission Level (dBuV)		Limit (dBuV)		Margin (dB)	
			Q.P.	AV.	Q.P.	AV.	Q.P.	AV.	Q.P.	AV.
1	0.16600	10.13	29.42	12.39	39.55	22.52	65.16	55.16	-25.61	-32.64
2	0.21406	10.15	27.58	12.28	37.73	22.43	63.05	53.05	-25.32	-30.62
3	0.28200	10.16	25.74	12.36	35.90	22.52	60.76	50.76	-24.86	-28.24
4	0.36200	10.17	22.97	11.85	33.14	22.02	58.68	48.68	-25.54	-26.66
5	0.77000	10.19	27.25	19.93	37.44	30.12	56.00	46.00	-18.56	-15.88
6	17.57000	11.37	24.30	11.74	35.67	23.11	60.00	50.00	-24.33	-26.89

Remarks:

1. Q.P. and AV. are abbreviations of quasi-peak and average individually.
2. The emission levels of other frequencies were very low against the limit.
3. Margin value = Emission level – Limit value
4. Correction factor = Insertion loss + Cable loss
5. Emission Level = Correction Factor + Reading Value

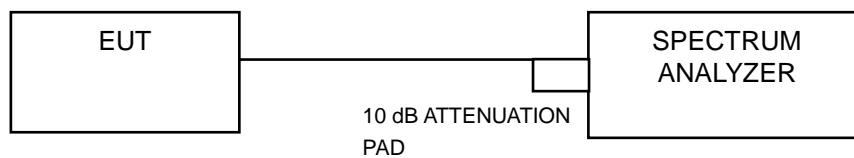


4.3 6 dB Bandwidth Measurement

4.3.1 Limits of 6 dB Bandwidth Measurement

The minimum of 6 dB Bandwidth Measurement is 0.5 MHz.

4.3.2 Test Setup



4.3.3 Test Instruments

Refer to section 4.1.2 to get information of above instrument.

4.3.4 Test Procedure

- Set resolution bandwidth (RBW) = 100 kHz
- Set the video bandwidth (VBW) $\geq 3 \times$ RBW, Detector = Peak.
- Trace mode = max hold.
- Sweep = auto couple.
- Measure the maximum width of the emission that is constrained by the frequencies associated with the two amplitude points (upper and lower) that are attenuated by 6 dB relative to the maximum level measured in the fundamental emission

4.3.5 Deviation from Test Standard

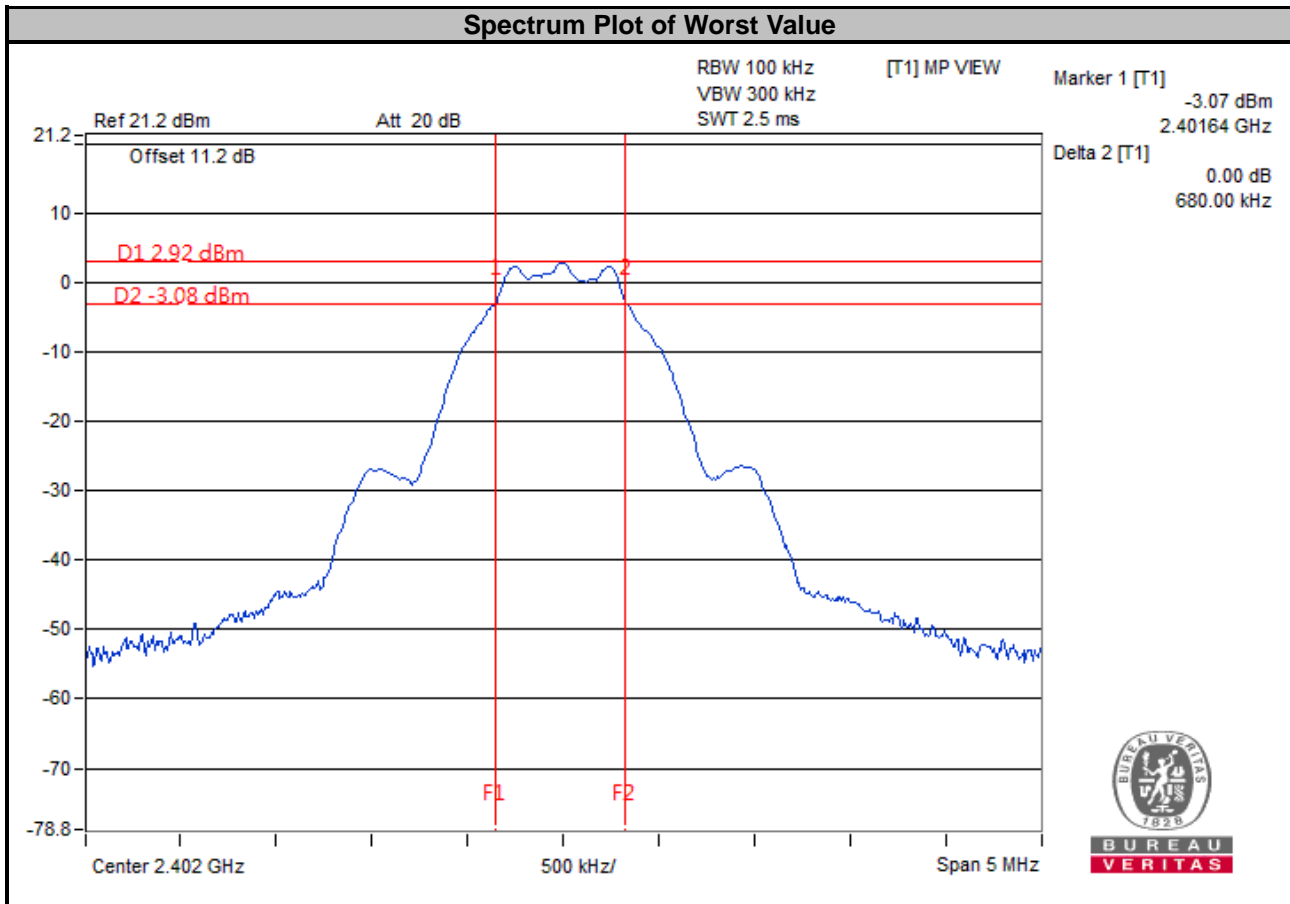
No deviation.

4.3.6 EUT Operating Conditions

The software provided by client to enable the EUT under transmission condition continuously at lowest, middle and highest channel frequencies individually.

4.3.7 Test Result

Channel	Frequency (MHz)	6 dB Bandwidth (MHz)	Minimum Limit (MHz)	Pass / Fail
0	2402	0.68	0.5	Pass
19	2440	0.68	0.5	Pass
39	2480	0.68	0.5	Pass

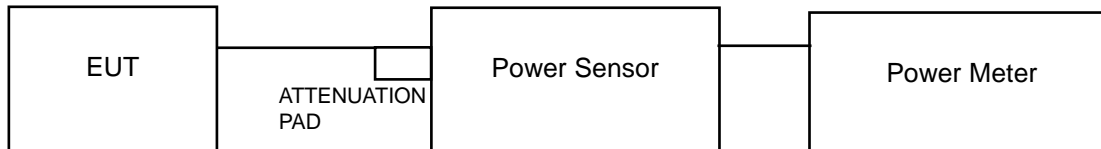


4.4 Conducted Output Power Measurement

4.4.1 Limits of Conducted Output Power Measurement

For systems using digital modulation in the 2400–2483.5 MHz bands: 1 Watt (30 dBm)

4.4.2 Test Setup



4.4.3 Test Instruments

Refer to section 4.1.2 to get information of above instrument.

4.4.4 Test Procedures

A peak / average power sensor was used on the output port of the EUT. A power meter was used to read the response of the peak / average power sensor. Record the power level.

4.4.5 Deviation from Test Standard

No deviation.

4.4.6 EUT Operating Conditions

The software provided by client to enable the EUT under transmission condition continuously at lowest, middle and highest channel frequencies individually.

4.4.7 Test Results

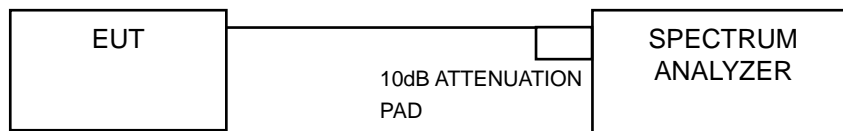
Channel	Frequency (MHz)	Peak Power (mW)	Peak Power (dBm)	Limit (dBm)	Pass / Fail
0	2402	2.158	3.34	30	Pass
19	2440	2.099	3.22	30	Pass
39	2480	2.032	3.08	30	Pass

4.5 Power Spectral Density Measurement

4.5.1 Limits of Power Spectral Density Measurement

The Maximum of Power Spectral Density Measurement is 8 dBm.

4.5.2 Test Setup



4.5.3 Test Instruments

Refer to section 4.1.2 to get information of above instrument.

4.5.4 Test Procedure

- Set the RBW = 3 kHz, VBW = 10 kHz, Detector = peak.
- Sweep time = auto couple, Trace mode = max hold, allow trace to fully stabilize.
- Use the peak marker function to determine the maximum power level in any 100 kHz band segment within the fundamental EBW.

4.5.5 Deviation from Test Standard

No deviation.

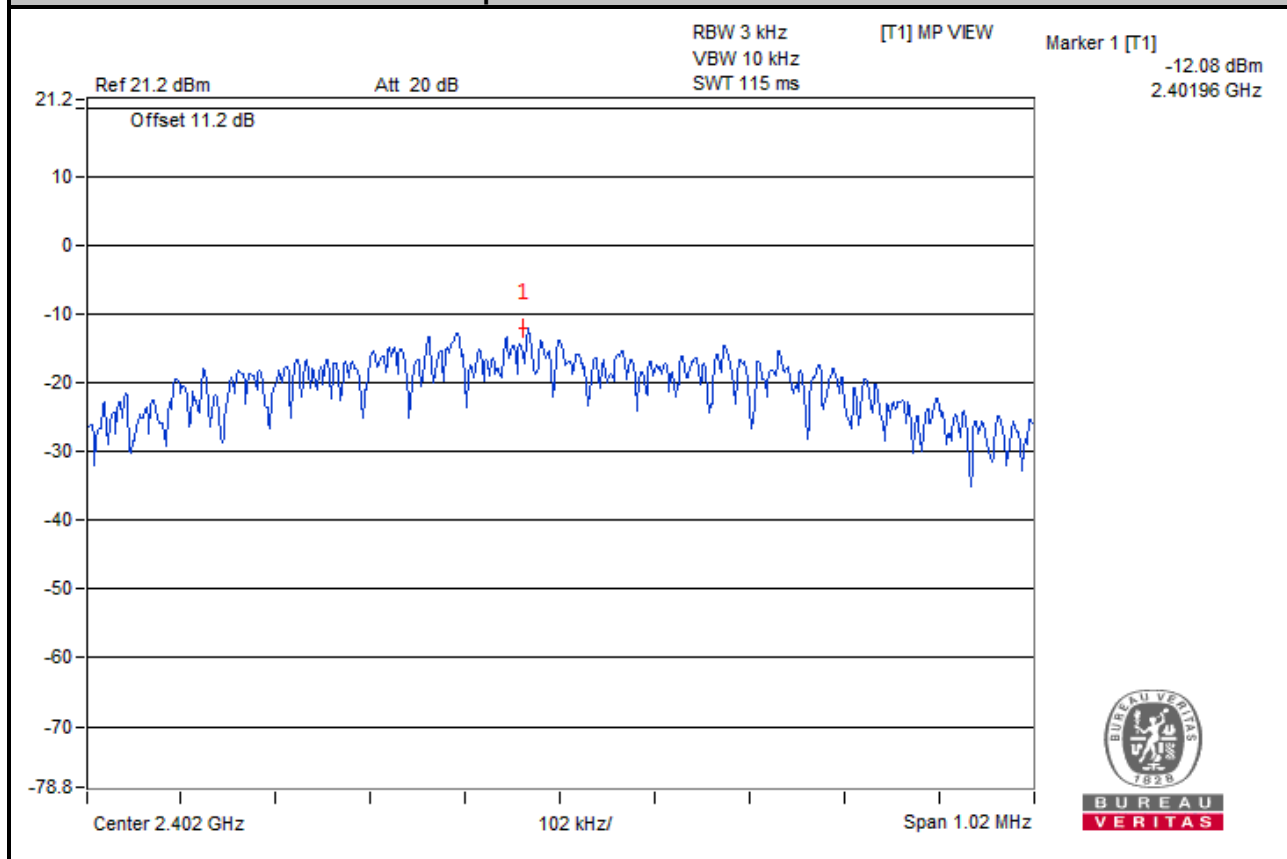
4.5.6 EUT Operating Condition

The software provided by client to enable the EUT under transmission condition continuously at lowest, middle and highest channel frequencies individually.

4.5.7 Test Results

Channel	Frequency (MHz)	PSD (dBm/3 kHz)	Limit (dBm/3 kHz)	Pass / Fail
0	2402	-12.08	8	Pass
19	2440	-12.26	8	Pass
39	2480	-12.35	8	Pass

Spectrum Plot of Worst Value

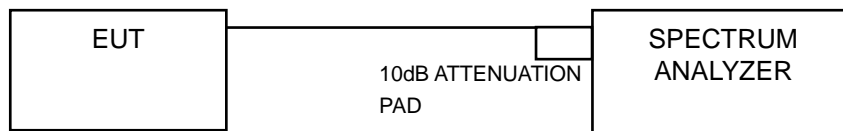


4.6 Conducted Out of Band Emission Measurement

4.6.1 Limits of Conducted Out of Band Emission Measurement

Below -20 dB of the highest emission level of operating band (in 100 kHz Resolution Bandwidth).

4.6.2 Test Setup



4.6.3 Test Instruments

Refer to section 4.1.2 to get information of above instrument.

4.6.4 Test Procedure

MEASUREMENT PROCEDURE REF

1. Set the RBW = 100 kHz.
2. Set the VBW \geq 300 kHz.
3. Detector = peak.
4. Sweep time = auto couple.
5. Trace mode = max hold.
6. Allow trace to fully stabilize.
7. Use the peak marker function to determine the maximum power level in any 100 kHz band segment within the fundamental EBW.

MEASUREMENT PROCEDURE OOB

1. Set RBW = 100 kHz.
2. Set VBW \geq 300 kHz.
3. Detector = peak.
4. Sweep = auto couple.
5. Trace Mode = max hold.
6. Allow trace to fully stabilize.
7. Use the peak marker function to determine the maximum amplitude level.

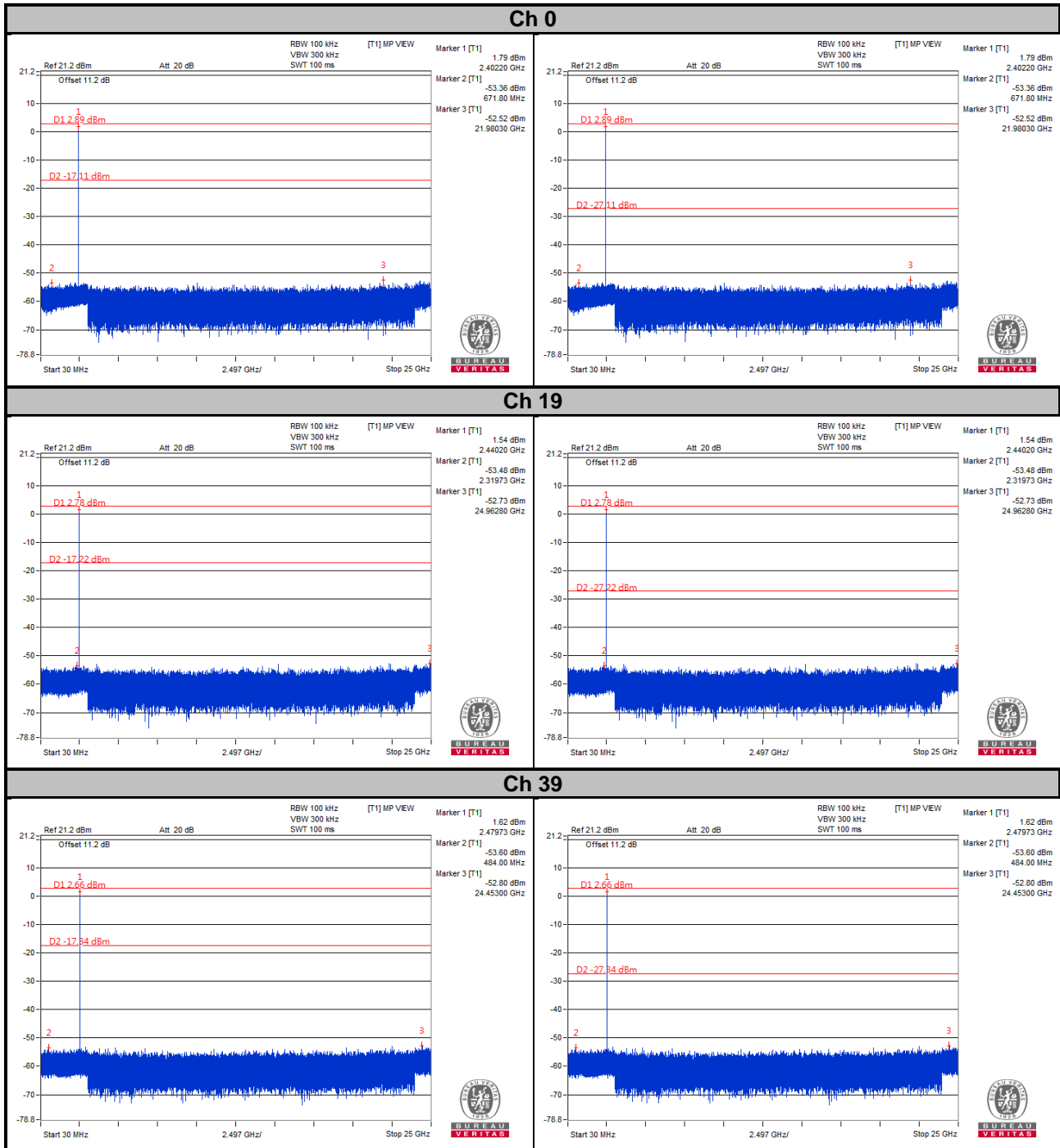
4.6.5 Deviation from Test Standard

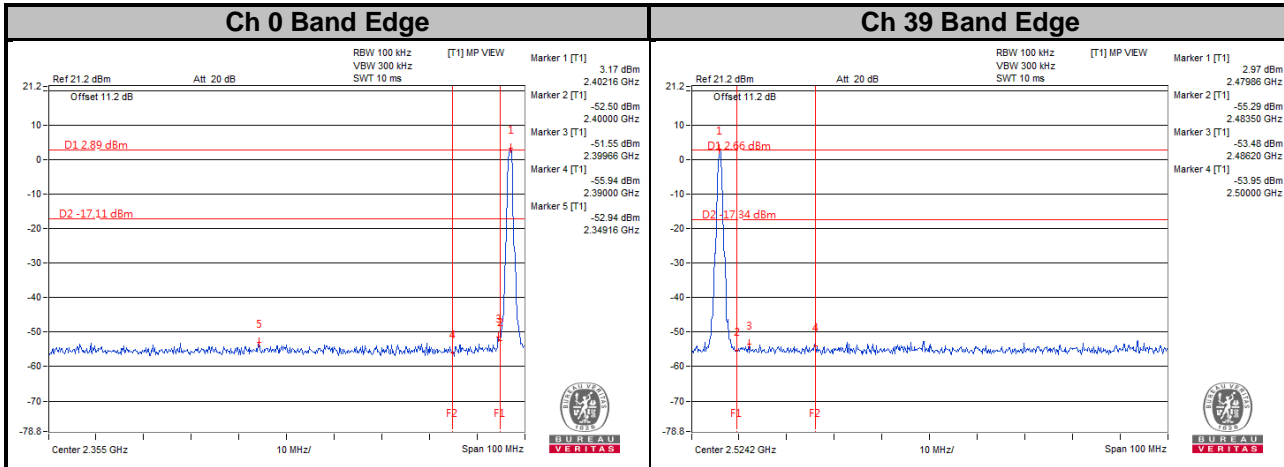
No deviation.

4.6.6 EUT Operating Condition

The software provided by client to enable the EUT under transmission condition continuously at lowest, middle and highest channel frequencies individually.

4.6.7 TEST RESULTS





5 Pictures of Test Arrangements

Please refer to the attached file (Test Setup Photo).

Appendix – Information on the Testing Laboratories

We, Bureau Veritas Consumer Products Services (H.K.) Ltd., Taoyuan Branch, were founded in 1988 to provide our best service in EMC, Radio, Telecom and Safety consultation. Our laboratories are accredited and approved according to ISO/IEC 17025.

If you have any comments, please feel free to contact us at the following:

Linko EMC/RF Lab

Tel: 886-2-26052180

Fax: 886-2-26051924

Hsin Chu EMC/RF/Telecom Lab

Tel: 886-3-6668565

Fax: 886-3-6668323

Hwa Ya EMC/RF/Safety

Tel: 886-3-3183232

Fax: 886-3-3270892

Email: service.adt@tw.bureauveritas.com

Web Site: www.bureauveritas-adt.com

The address and road map of all our labs can be found in our web site also.

--- END ---