



# EMC TEST REPORT

<b>Applicant</b>	Montblanc-Simplo GmbH
<b>FCC ID</b>	2AENP-MBTW4810
<b>Product</b>	Montblanc TWIN
<b>Brand</b>	Montblanc
<b>Marketing Name</b>	MBTW-4810
<b>Model</b>	MBTW-4810
<b>Report No.</b>	RXA1712-0445EMC01R1
<b>Issue Date</b>	June 6, 2018

TA Technology (Shanghai) Co., Ltd. tested the above equipment in accordance with the requirements in **FCC Code CFR47 Part15B (2017)/ ANSI C63.4 (2014)**. The test results show that the equipment tested is capable of demonstrating compliance with the requirements as documented in this report.

*Wei Liu*

*Guangchang Fan*

*Performed by: Wei Liu/ Manager*

*Approved by: Guangchang Fan/ Director*

## TA Technology (Shanghai) Co., Ltd.

*No.145, Jintang Rd, Tangzhen Industry Park, Pudong Shanghai, China*

*TEL: +86-021-50791141/2/3*

*FAX: +86-021-50791141/2/3-8000*



## Table of Contents

1	Test Laboratory.....	4
1.1	Notes of the Test Report.....	4
1.2	Test facility.....	4
1.3	Testing Location.....	5
2	General Description of Equipment under Test.....	6
2.1	Client Information.....	6
2.2	General information.....	6
2.3	Applied Standards.....	7
2.4	Test Mode.....	8
3	Test Case Results.....	9
3.1	Radiated Emission.....	9
3.2	Conducted Emission.....	15
4	Main Test Instrument.....	17
	ANNEX A: The EUT Appearance and Test Configuration.....	18
	A.1 EUT Appearance.....	18
	A.2 Test Setup.....	20



### Summary of measurement results

Number	Test Case	Clause in FCC Rules	Conclusion
1	Radiated Emission	15.109, ANSI C63.4-2014	PASS
2	Conducted Emission	15.107, ANSI C63.4-2014	NT
Test Date: February 6, 2018 ~ February 13, 2018			

# 1 Test Laboratory

## 1.1 Notes of the Test Report

This report shall not be reproduced in full or partial, without the written approval of **TA technology (shanghai) co., Ltd.** The results documented in this report apply only to the tested sample, under the conditions and modes of operation as described herein .Measurement Uncertainties were not taken into account and are published for informational purposes only. This report is written to support regulatory compliance of the applicable standards stated above.

## 1.2 Test facility

### **CNAS (accreditation number: L2264)**

TA Technology (Shanghai) Co., Ltd. has obtained the accreditation of China National Accreditation Service for Conformity Assessment (CNAS).

### **FCC (Designation number: CN1179, Test Firm Registration Number: 446626)**

TA Technology (Shanghai) Co., Ltd. has been listed on the US Federal Communications Commission list of test facilities recognized to perform electromagnetic emissions measurements.

### **IC (recognition number is 8510A)**

TA Technology (Shanghai) Co., Ltd. has been listed by industry Canada to perform electromagnetic emission measurement.

### **VCCI (recognition number is C-4595, T-2154, R-4113, G-10766)**

TA Technology (Shanghai) Co., Ltd. has been listed by industry Japan to perform electromagnetic emission measurement.

### **A2LA (Certificate Number: 3857.01)**

TA Technology (Shanghai) Co., Ltd. has been listed by American Association for Laboratory Accreditation to perform electromagnetic emission measurement.



### 1.3 Testing Location

Company: TA Technology (Shanghai) Co., Ltd.  
Address: No.145, Jintang Rd, Tangzhen Industry Park, Pudong Shanghai, China  
City: Shanghai  
Post code: 201201  
Country: P. R. China  
Contact: Xu Kai  
Telephone: +86-021-50791141/2/3  
Fax: +86-021-50791141/2/3-8000  
Website: <http://www.ta-shanghai.com>  
E-mail: [xukai@ta-shanghai.com](mailto:xukai@ta-shanghai.com)

## 2 General Description of Equipment under Test

### 2.1 Client Information

<b>Applicant</b>	Montblanc-Simplo GmbH
<b>Applicant address</b>	Montblanc-Simplo GmbH, Hellgrundweg 100, 22525 Hamburg, Germany
<b>Manufacturer</b>	Montblanc-Simplo GmbH
<b>Manufacturer address</b>	Montblanc-Simplo GmbH, Hellgrundweg 100, 22525 Hamburg, Germany

### 2.2 General information

EUT Description	
Device Type:	Portable Device
Product Name:	Montblanc TWIN
Model Number:	MBTW-4810
IMEI:	/
HW Version:	42-00060-01_R3
SW Version:	snowcap_estrap_0.2.17
Antenna Type:	Internal Antenna
Test Mode:	Transfer Data Mode
EUT Accessory	
Battery	Manufacturer: CHONGQING VDL ELECTRONICS CO.,LTD. Model: 261318
USB Cable	Manufacturer: Simula Tech Inc. Model: CB845Q 83.5cm Cable, Shielded
Auxiliary test equipment	
PC	PC Manufacturer: Dell Model: E5450 (SN : P48G001)
Note: The information of the EUT is declared by the manufacturer.	



## 2.3 Applied Standards

According to the specifications of the manufacturer, it must comply with the requirements of the following standards:

### Test standards

**FCC Code CFR47 Part15B (2017)**

**ANSI C63.4 (2014)**

## 2.4 Test Mode

Test Mode	
Mode 1:	Adapter + USB cable +Idle
Mode 2:	USB Copy(EUT with PC) + USB cable +Idle
Mode 3:	Idle

During the test, the preliminary test was performed in all modes with all frequency bands (BT), mode 2 (USB Copy + USB cable +Idle) selected as the worst condition. The test data of the worst-case condition was recorded in this report.



### 3 Test Case Results

#### 3.1 Radiated Emission

##### Ambient condition

Temperature	Relative humidity	Pressure
24°C~26°C	45%~50%	102.5kPa

##### Methods of Measurement

The EUT is placed on a non-metallic table 0.8m above the horizontal metal reference ground plane. The distance between EUT and receive antenna should be 3 meters. During the test, the EUT was operating in its typical mode. The test method is according to ANSI C63.4-2014. Sweep the whole frequency band through the range from 30MHz to the 5th harmonic of the carrier. During the test, the height of receive antenna shall be moved from 1 to 4 meters, and the antenna shall be performed under horizontal and vertical polarization. The turn table shall be rotated from 0 to 360 degrees for detecting the maximum of radiated signal level.

The data of cable loss and antenna factor has been calibrated in full testing frequency range before the testing. During the test, the EUT is worked at maximum output power.

Set the spectrum analyzer in the following:

Below 1GHz:

RBW=100 kHz / VBW=300 kHz / Sweep=AUTO

Above 1GHz:

(a) PEAK: RBW=1MHz / VBW=3MHz/ Sweep=AUTO

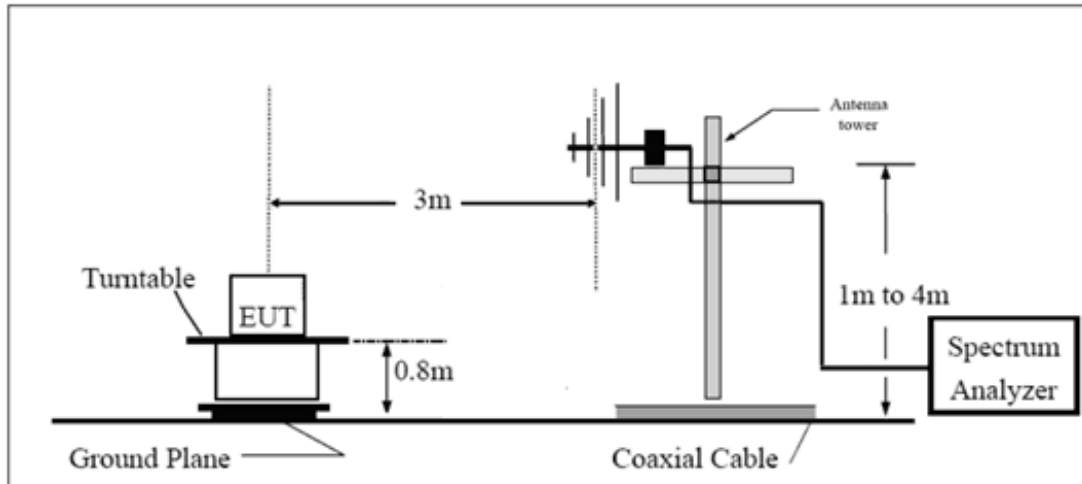
(b) AVERAGE: RBW=1MHz / VBW=10Hz / Sweep=AUTO

The radiated emission was measured in the following position: EUT stand-up position (Z axis), lie-down position (X, Y axis). The worst emission was found in stand-up position (Z axis) and the worst case was recorded.

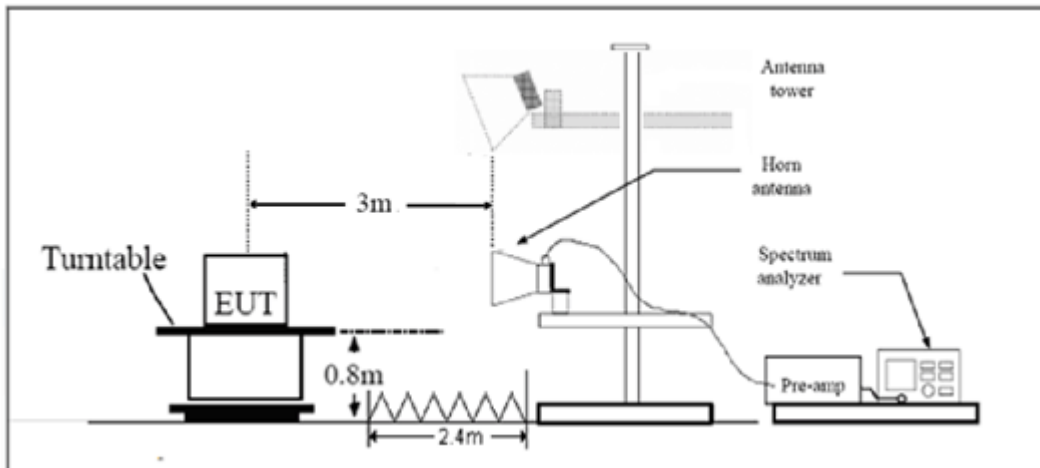
During the test, EUT is connected to a laptop via a USB cable in the case of Transfer Data mode. The EUT is used as the peripheral equipment of the PC. The data is transferred from EUT to PC; PC is connected to server via a long LAN cable.

## Test Setup

### Below 1GHz



### Above 1GHz



Note: Area side:2.4mX3.6m

Antenna Tower meets ANSI C63.4 requirements for measurements above 1 GHz by keeping the antenna aimed at the EUT during the antenna's ascent/ descent along the antenna mast.

**Limits**

Frequency (MHz)	Field Strength (dB $\mu$ V/m)	Detector
30 -88	40.0	Quasi-peak
88-216	43.5	Quasi-peak
216 – 960	46.0	Quasi-peak
960-1000	54.0	Quasi-peak
1000-5 <sup>th</sup> harmonic of the highest frequency or 40GHz, which is lower	54 74	Average Peak

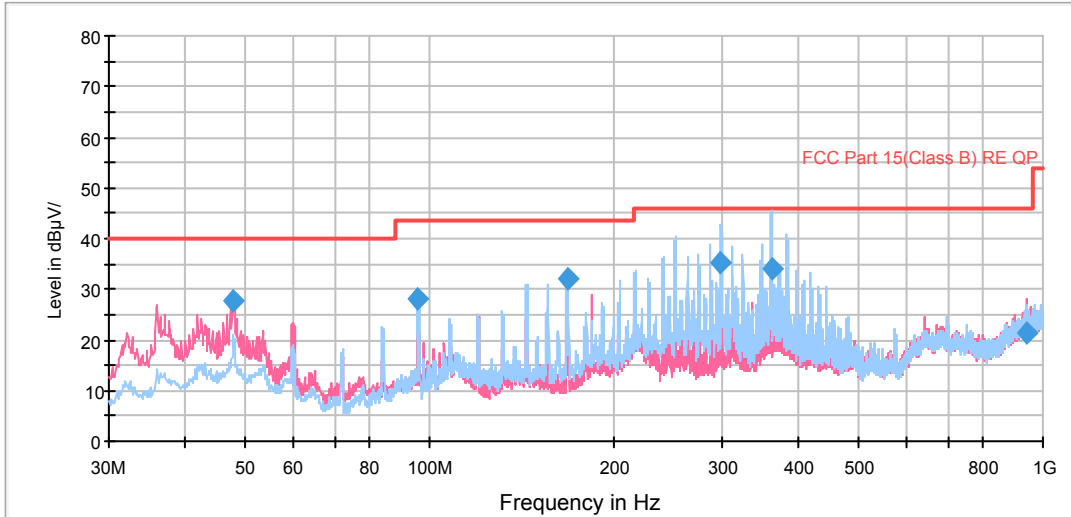
**Measurement Uncertainty**

The assessed measurement uncertainty to ensure 95% confidence level for the normal distribution is with the coverage factor  $k = 1.96$ .  $U = 3.704$  dB.

**Test Results**

The following graphs display the maximum values of horizontal and vertical by software.  
 For above 1GHz, Blue trace uses the peak detection, Green trace uses the average detection.

RE 0.03-1GHz QP Class B

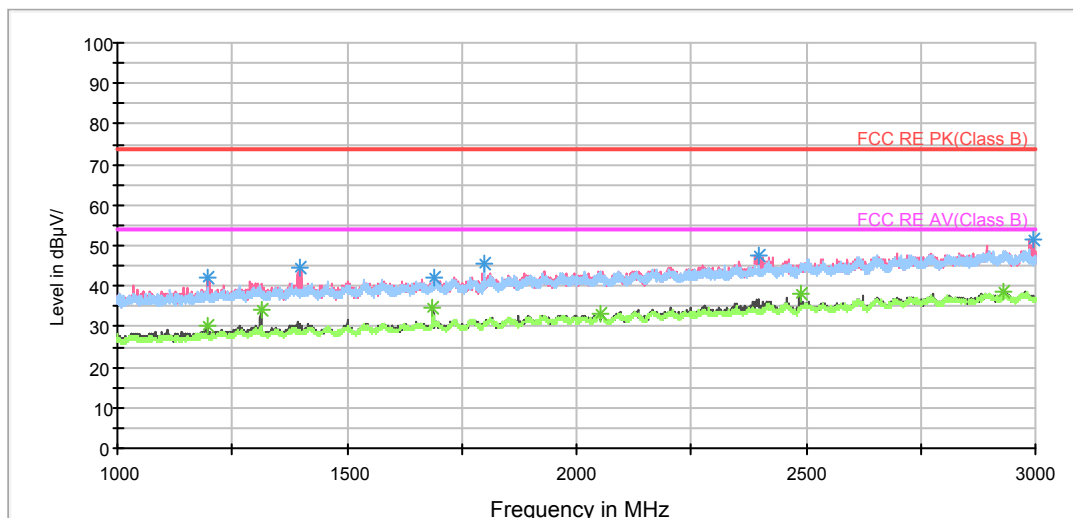


Radiated Emission from 30MHz to 1GHz

Frequency (MHz)	Quasi-Peak (dBuV/m)	Reading value (dBuV/m)	Height (cm)	Polarization	Azimuth (deg)	Correct Factor (dB)	Margin (dB)	Limit (dBuV/m)
47.883750	27.5	45.6	121.0	V	351.0	-18.1	12.5	40.0
95.737500	28.2	51.9	219.0	H	0.0	-23.7	15.3	43.5
168.285000	32.1	59.9	196.0	H	8.0	-27.8	11.4	43.5
298.871250	35.1	57.8	120.0	H	325.0	-22.7	10.9	46.0
360.790000	34.2	53.4	100.0	H	329.0	-19.2	11.8	46.0
939.678750	21.6	32.4	125.0	V	330.0	-10.8	24.4	46.0

- Remark:**
1. Quasi-Peak = Reading value + Correction factor
  2. Correction Factor = Antenna factor+ Insertion loss(cable loss+amplifier gain)
  3. Margin = Limit – Quasi-Peak

RE 1G-3GHz PK+AV

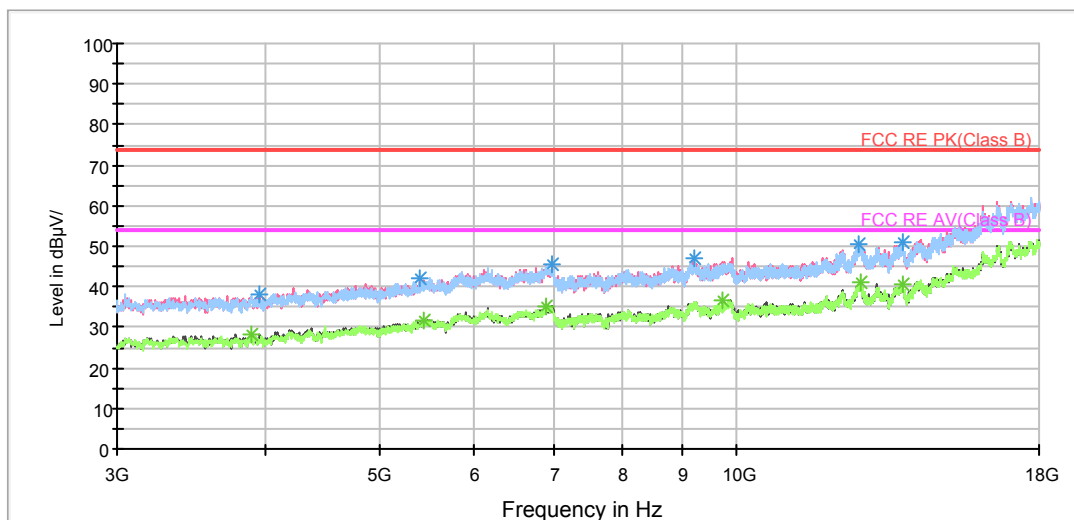


Radiated Emission from 1GHz to 3GHz

Frequency (MHz)	Peak (dBuV/m)	Reading value (dBuV/m)	Height (cm)	Polarization	Azimuth (deg)	Correct Factor (dB)	Margin (dB)	Limit (dBuV/m)
1195.750000	42.2	50.4	100.0	V	319.0	-8.2	31.8	74
1395.250000	44.6	51.7	100.0	V	0.0	-7.1	29.4	74
1691.750000	42.0	47.0	100.0	H	44.0	-5.0	32.0	74
1799.250000	45.5	49.5	100.0	H	141.0	-4.0	28.5	74
2395.750000	47.5	48.8	100.0	V	0.0	-1.3	26.5	74
2994.250000	51.5	49.2	100.0	V	354.0	2.3	22.5	74

Frequency (MHz)	Average (dBuV/m)	Reading value (dBuV/m)	Height (cm)	Polarization	Azimuth (deg)	Correct Factor (dB)	Margin (dB)	Limit (dBuV/m)
1196.250000	30.2	38.4	200.0	V	77.0	-8.2	23.8	54
1312.500000	34.2	41.8	100.0	V	214.0	-7.6	19.8	54
1687.500000	34.9	39.9	100.0	V	293.0	-5.0	19.1	54
2051.000000	33.2	36.4	200.0	V	246.0	-3.2	20.8	54
2487.000000	38.3	38.2	200.0	V	139.0	0.1	15.7	54
2931.250000	38.7	36.9	100.0	H	44.0	1.8	15.3	54

RE 3-18GHz PK+AV



Radiated Emission from 3GHz to 18GHz

Frequency (MHz)	Peak (dBuV/m)	Reading value (dBuV/m)	Height (cm)	Polarization	Azimuth (deg)	Correct Factor (dB)	Margin (dB)	Limit (dBuV/m)
3948.750000	38.1	39.2	100.0	V	270.0	-1.1	35.9	74
5394.375000	41.9	39.5	100.0	V	182.0	2.4	32.1	74
6975.000000	45.4	39.1	100.0	V	0.0	6.3	28.6	74
9213.750000	47.1	37.1	100.0	H	320.0	10.0	26.9	74
12691.875000	50.4	36.2	100.0	H	234.0	14.2	23.6	74
13809.375000	50.9	36.4	100.0	V	152.0	14.5	23.1	74

Frequency (MHz)	Average (dBuV/m)	Reading value (dBuV/m)	Height (cm)	Polarization	Azimuth (deg)	Correct Factor (dB)	Margin (dB)	Limit (dBuV/m)
3894.375000	28.1	29.4	100.0	V	315.0	-1.3	25.9	54
5441.250000	31.6	28.7	100.0	V	209.0	2.9	22.4	54
6903.750000	35.3	29.0	100.0	H	101.0	6.3	18.7	54
9742.500000	36.6	26.6	100.0	V	341.0	10.0	17.4	54
12714.375000	41.1	27.2	100.0	H	189.0	13.9	12.9	54
13813.125000	40.8	26.3	100.0	V	143.0	14.5	13.2	54

### 3.2 Conducted Emission

#### Ambient condition

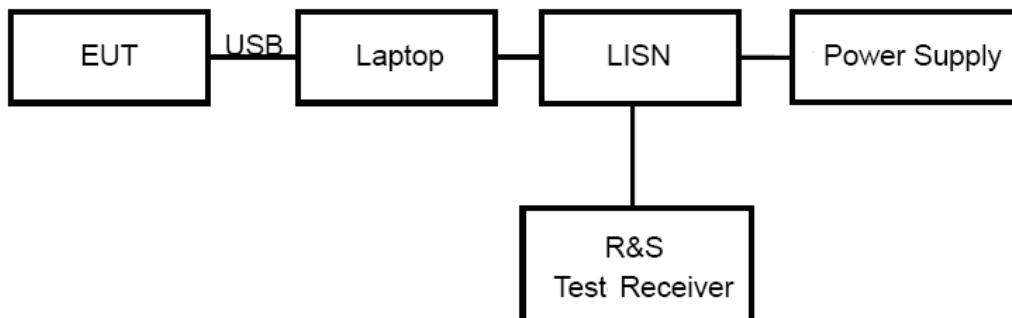
Temperature	Relative humidity	Pressure
24°C ~26°C	50%~55%	102.5kPa

#### Methods of Measurement

The EUT is placed on a non-metallic table of 80cm height above the horizontal metal reference ground plane. During the test, the EUT was operating in its typical mode. The test method is according to ANSI C63.4-2014. Connect the AC power line of the EUT to the L.I.S.N. Use EMI receiver to detect the average and Quasi-peak value. RBW is set to 9 kHz, VBW is set to 30kHz. The measurement result should include both L line and N line.

During the test, EUT is connected to a laptop via a USB cable in the case of Transfer Data mode. The EUT is used as the peripheral equipment of the PC. The data is transferred from EUT to PC; PC is connected to server via a long LAN cable.

#### Test Setup



Note: Power Supply is AC Power source and it is used to change the voltage 120V/60Hz.

#### Limits

Frequency (MHz)	Conducted Limits(dBμV)	
	Quasi-peak	Average
0.15 - 0.5	66 to 56 *	56 to 46 *
0.5 - 5	56	46
5 - 30	60	50

\*: Decreases with the logarithm of the frequency.

#### Measurement Uncertainty

The assessed measurement uncertainty to ensure 95% confidence level for the normal distribution is with the coverage factor  $k = 1.96$ .  $U = 2.57$  dB.



## Test Results

The equipment doesn't connected to public network, therefore this requirement do not apply.



## 4 Main Test Instrument

Name	Manufacturer	Type	Serial Number	Last Cal.	Cal. Due Date
Signal Analyzer	R&S	FSV30	100815	2017-12-17	2018-12-16
EMI Test Receiver	R&S	ESCI	100948	2017-05-20	2018-05-19
Loop Antenna	SCHWARZBECK	FMZB1519	1519-047	2017-02-18	2019-02-17
Trilog Antenna	SCHWARZBECK	VULB 9163	9163-201	2017-11-18	2020-11-17
Horn Antenna	R&S	HF907	100126	2014-12-06	2019-12-05
Horn Antenna	ETS-Lindgren	3160-09	00102643	2015-01-30	2020-01-29
Bore Sight Antenna mast	ETS	2171B	00058752	NA	NA
Test software	EMC32	R&S	V9.26.0	NA	NA

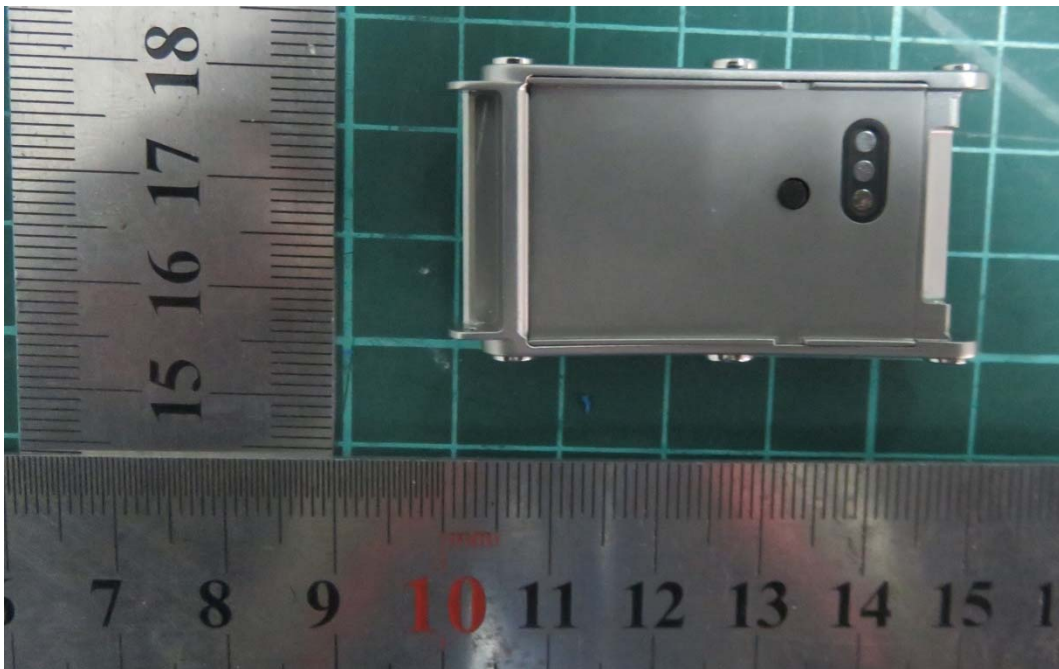
\*\*\*\*\*END OF REPORT \*\*\*\*\*

## ANNEX A: The EUT Appearance and Test Configuration

### A.1 EUT Appearance



Front Side



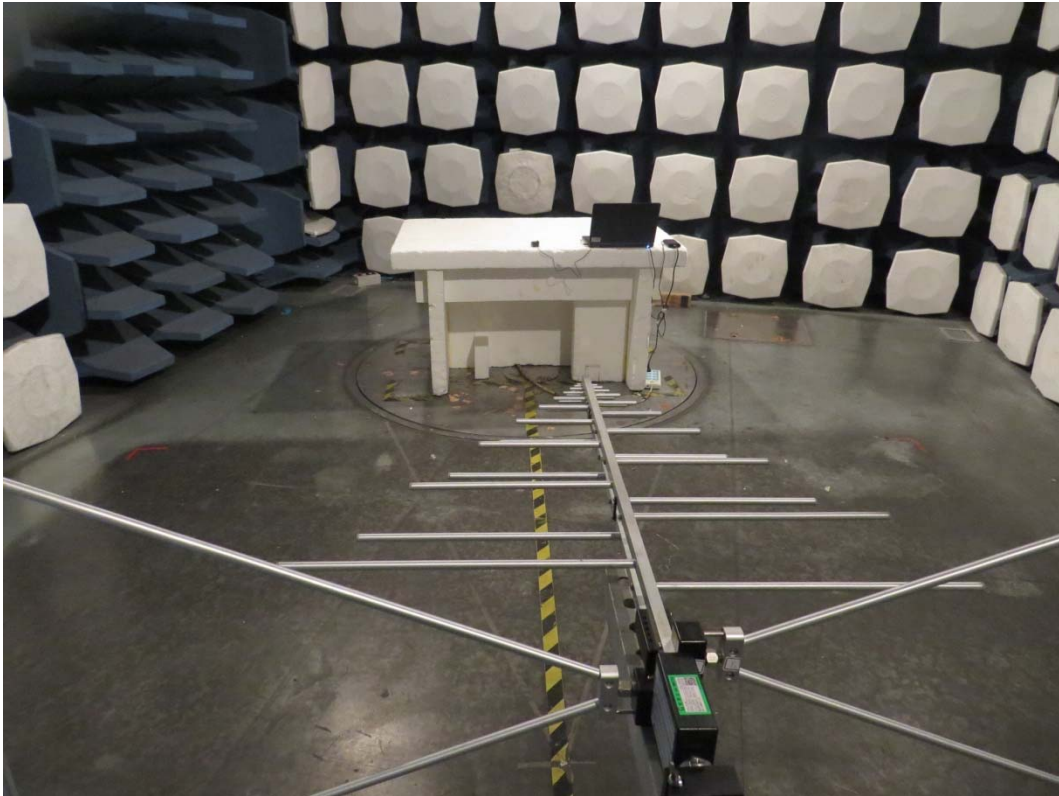
Back Side

a: EUT

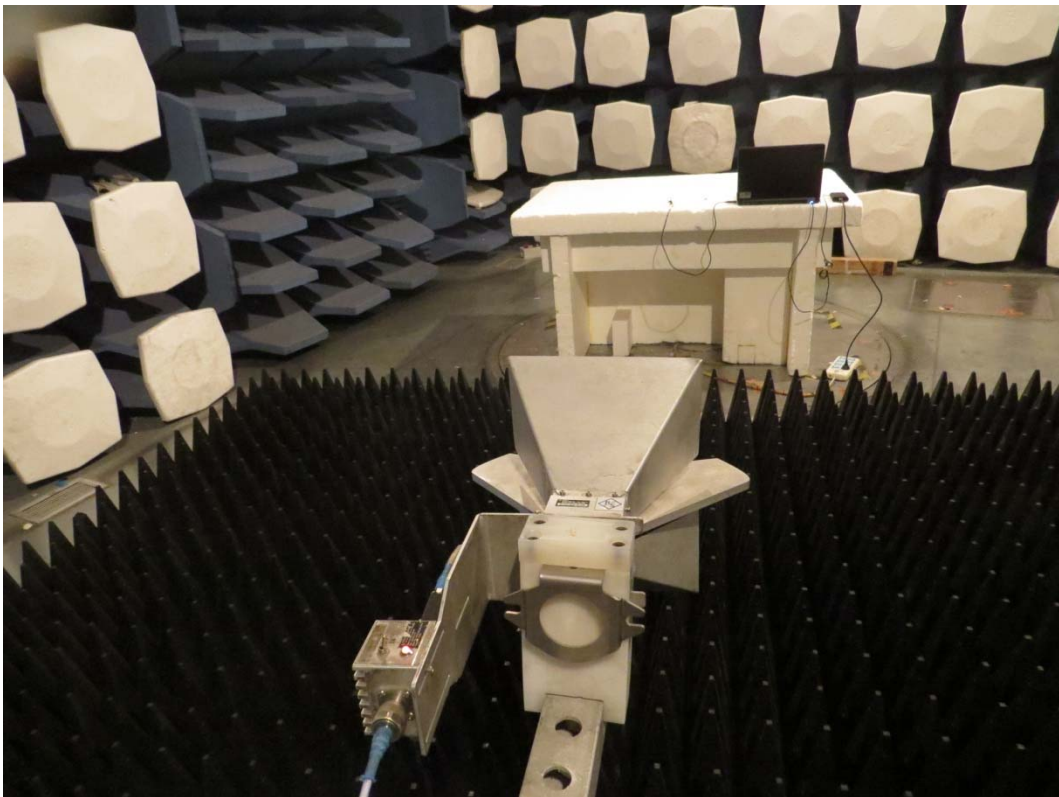


b: USB Cable  
Picture 1 EUT

## A.2 Test Setup



a: Below 1GHz



b: Above 1GHz

**Picture 2 Radiated Emission Test Setup**