

**Z CAM IPMAN AMBR (Model: AM001)**

1. Manufacturer's name: Shenzhen ImagineVision Technology Limited  
Address: 1A, F5, TCL International E City, 1001 Zhong Shan Park Road, Nan Shan, Shenzhen, China

2. Importer's name: XXX  
Address: XXX

3. Operation temperature: 0°C to 40°C

4. This device should be installed and operated with a minimum distance of 20cm between the radiator and your body.

5. WARNING: Please refer the information on exterior bottom enclosure for electrical and safety information before installing or operating the apparatus.

6. FCC warning

This equipment has been tested and found to comply with the limits for a Class B digital device, pursuant to part 15 of the FCC Rules. These limits are designed to provide reasonable protection against harmful interference in a residential installation. This equipment generates, uses and can radiate radio frequency energy and, if not installed and used in accordance with the instructions, may cause harmful interference to radio communications. However, there is no guarantee that interference will not occur in a particular installation. If this equipment does cause harmful interference to radio or television reception, which can be determined by turning the equipment off and on, the user is encouraged to try to correct the interference by one or more of the following measures:

- Reorient or relocate the receiving antenna.
- Increase the separation between the equipment and receiver.
- Connect the equipment into an outlet on a circuit different from that to which the receiver is connected.
- Consult the dealer or an experienced radio/TV technician for help.

MODIFICATION: Any changes or modifications not expressly approved by the grantee of this device could void the user's authority to operate the device.

7. This device complies with part 15 of the FCC Rules. Operation is subject to the following two conditions: (1) This device may not cause harmful interference, and (2) this device must accept any interference received. To satisfy FCC exterior labeling requirements, the following text must be placed on the exterior of the end product. " FCC ID: 2AENNZCAMAMBR2107".

Because the working frequency of the device is in 5150-5250 MHZ, so this device is suitable for indoor use of the equipment.

### **What's in the box?**

- Z CAM AMBR main unit x 1.
- HDMI cable x 1.
- Type-C cable x 1.

### **How to power Z CAM AMBR?**

- Mount NP-F battery on to the rear socket of the main unit.
- Press and hold the release button next to the socket to unmount the battery.

### **How to switch on Z CAM AMBR?**

- Ensure that power is connected.
- Long press the power button on the back for 1 second to start.
- In standby mode, long press the power button on the back for 1 second and the shutdown window will be displayed on the screen, then select shutdown.
- In case of emergency, long press the power button on the back for 5 second to force shutdown.

### **How to feed video signal to the HDMI input of Z CAM AMBR?**

- Connect HDMI output of camera or other equipment to HDMI 1 or HDMI 2 of the main unit.

### **How to get video signal from the HDMI output of Z CAM AMBR?**

- Connect HDMI input of monitor or other equipment to HDMI OUT of the main unit.

### **How to get audio signal from audio output of Z CAM AMBR?**

- Connect to the input of earphones or other audio receiving device to 3.5mm headphone jack of the main unit.

### **How to feed microphone signal to the microphone input of Z CAM AMBR?**

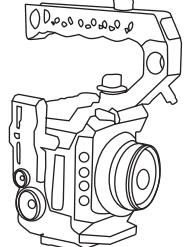
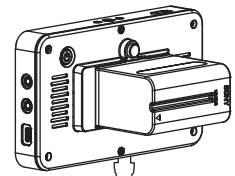
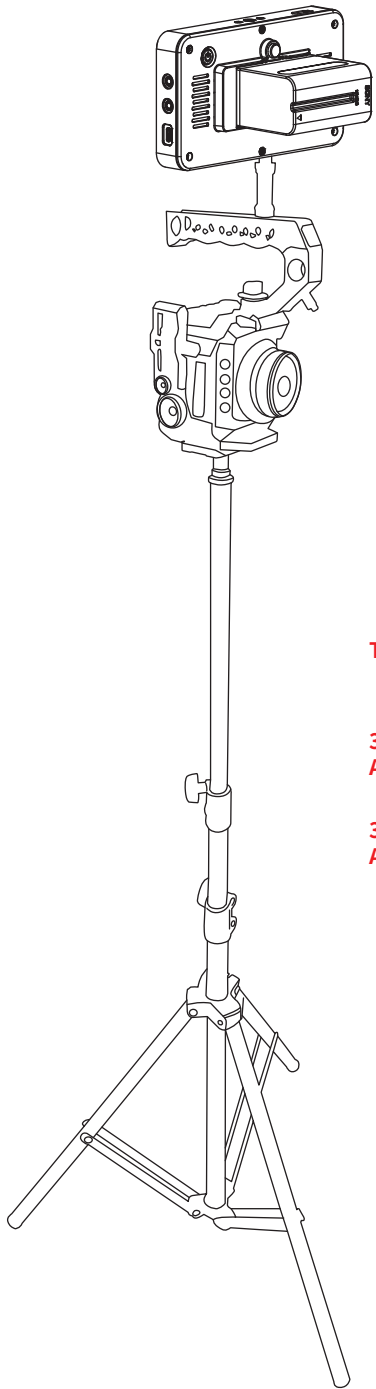
- Connect microphone output to 3.5mm microphone socket of the main unit.

### **How to connect Z CAM AMBR to Ethernet??**

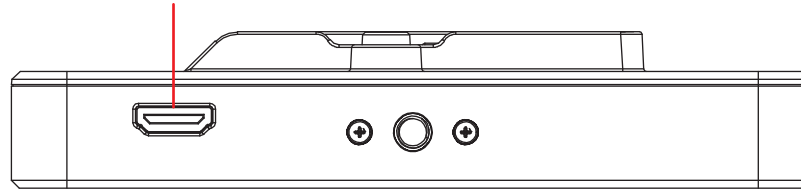
- Connect the Ethernet cable to the Ethernet port of the main unit.
- Select the " ⚙️ " icon in the menu, select the network and Internet function, enter the Ethernet function, set the Ethernet IP mode to DHCP, and wait for the automatic acquisition of IP. After completion, the upper right corner of the screen will show The " 🌐 " icon is displayed.

### **How to use HDMI video monitoring feature?**

- Camera HDMI output signal must be 1080p30 or below (1080i not supported)
- Connect camera HDMI output to HDMI 1 or HDMI 2 of main unit.
- Open main unit "Camera" app icon as " 📹 " , once the camera HDMI signal is output, it will be transmitted to "Camera" app.



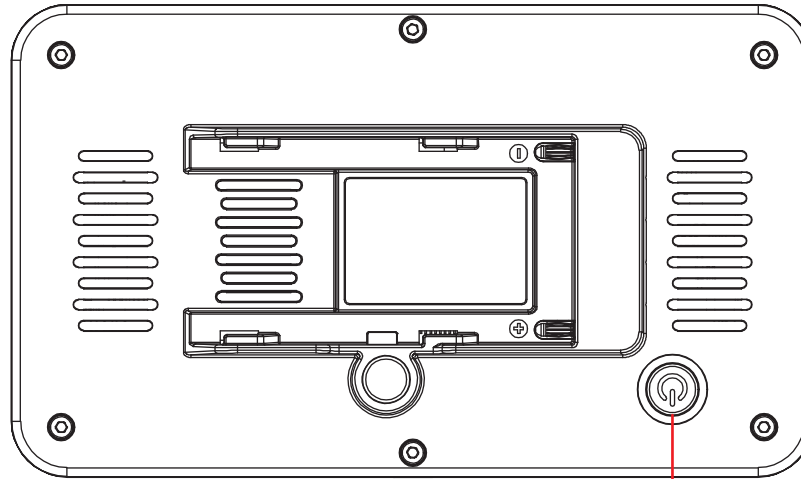
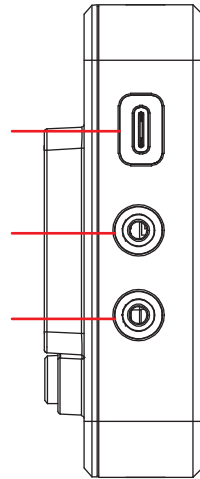
HDMI OUTPUT



Type C

3.5mm  
Audio-out Port

3.5mm  
Audio-in Port



Power ON / OFF

HDMI INPUT2

Ethernet Port

HDMI INPUT1

