

Z CAM E2 Flagship Series

(Z CAM E2-S6 / E2-F6 / E2-F8 / E2-M4)

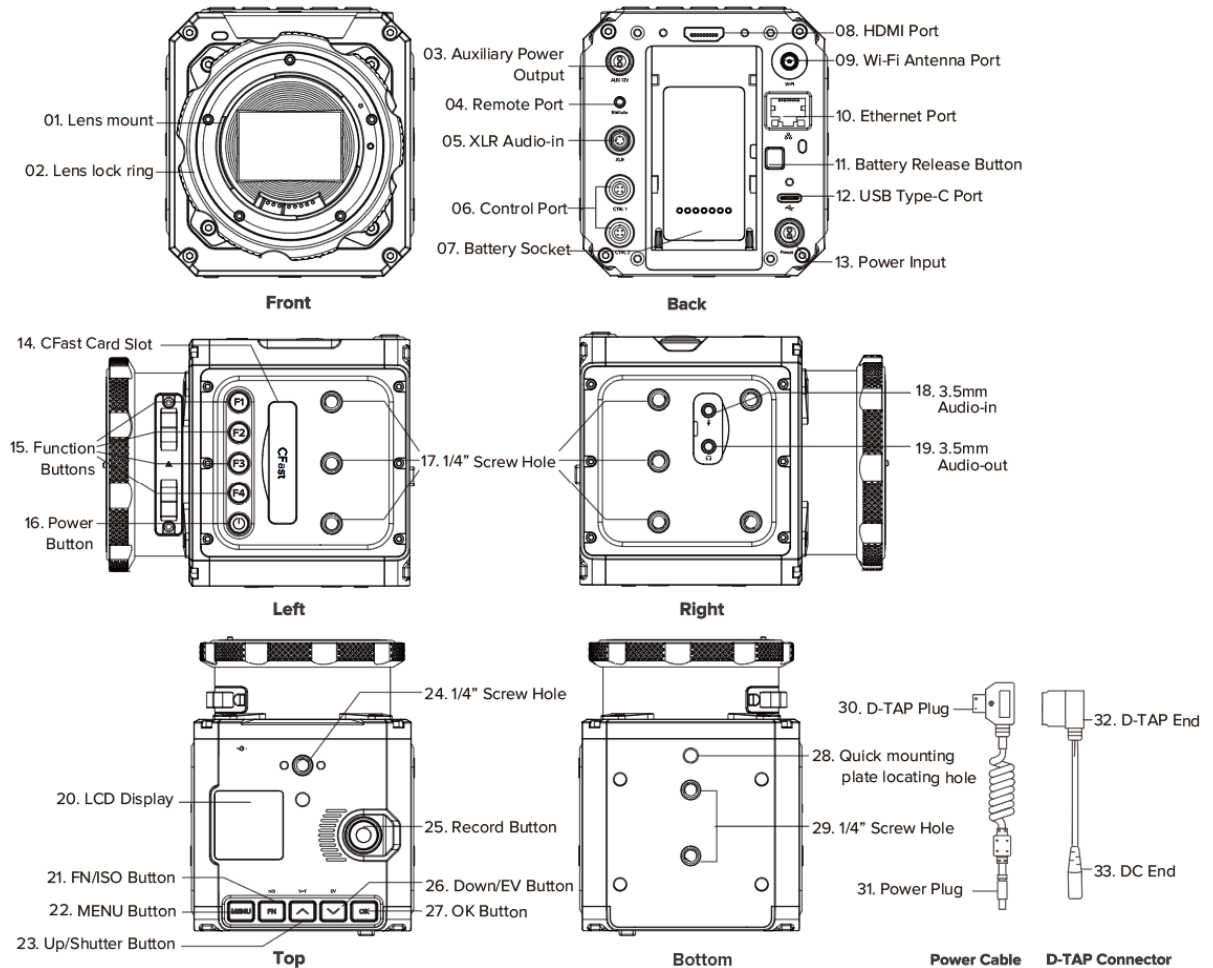
Product Name	Model Name
Z CAM E2-S6	E1701
Z CAM E2-F6	E1901
Z CAM E2-F8	E1902
Z CAM E2-M4	E1511

User Manual v0.2

(Firmware 0.93)

1. Introduction

1.1. Camera Introduction



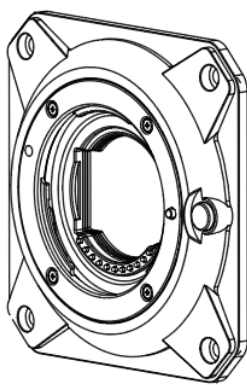
1.2. Lens Mount

There are EF or PL lens mount options for Z CAM E2 flagship series, and MFT lens mount for Z CAM E2-S6 only. It's interchangeable and you can purchase additional lens mount module to change it with professional tools (only for EF and PL lens mount) *.

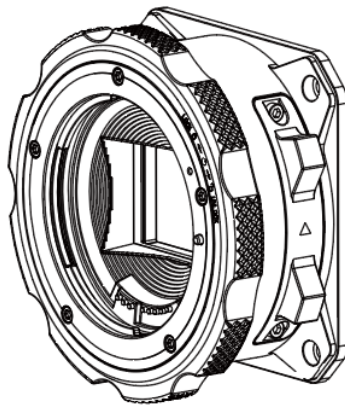
Model	Lens Mount
-------	------------

Z CAM E2-M4	MFT
Z CAM E2-S6	EF / PL / MFT
Z CAM E2-F6	EF / PL
Z CAM E2-F8	EF / PL

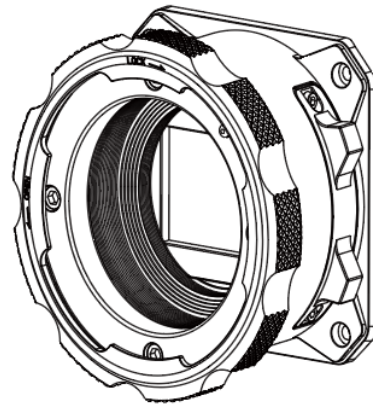
* Replacement of lens mount is recommended to be operated by the manufacturer's designated agent/dealer or under professional guidance. The failure of the camera may be appearing due to changing the lens mount by the user.



MFT lens mount



EF lens mount



PL lens mount

1.3. LCD Screen

The content displayed on the LCD Screen will be different when the camera is in different mode.

- **Standby & Recording**

Standby

Recording

Resolution — 6KP29.97 — Battery — 12V

Left & Right Audio Channel — L: — R: — Remaining time — 01h06

Video mode — STBY — Standby

ISO — A ISO500 — M 5000K — Focus method — AF

Shutter speed — A 1/60 — F2.8 — EV 0.0 — AF

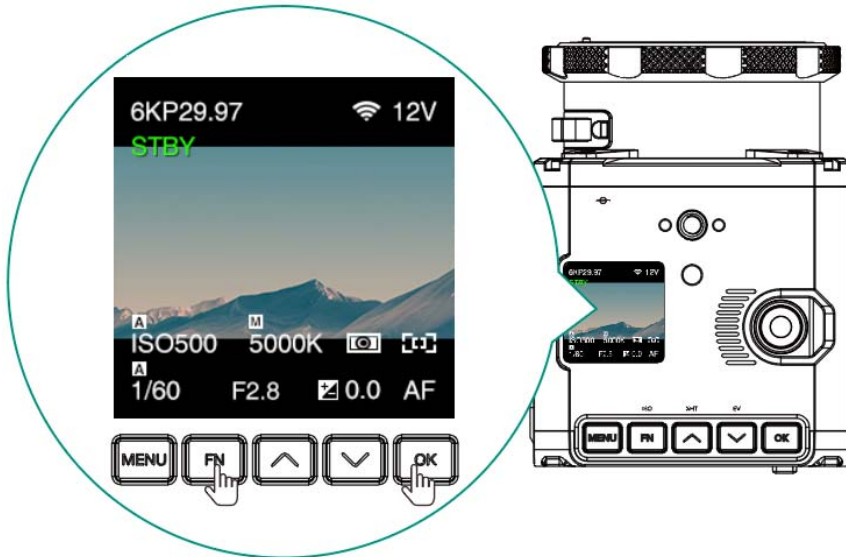
Aperture — EV

White balance

Recording time

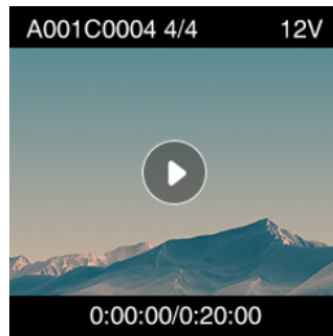
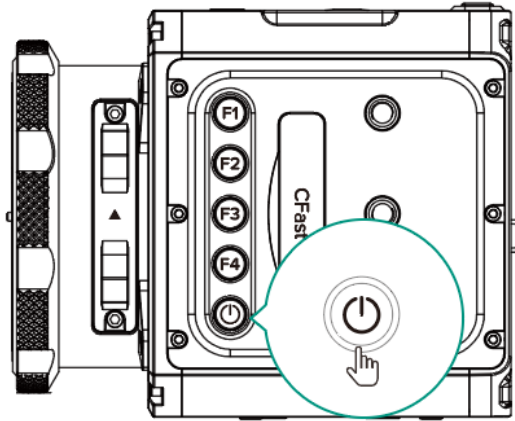
- **Preview**

Press **FN + OK** button when the camera is in **Standby** mode, it will switch to **Preview** mode. Press **FN + OK** again to come back to **Standby** mode.

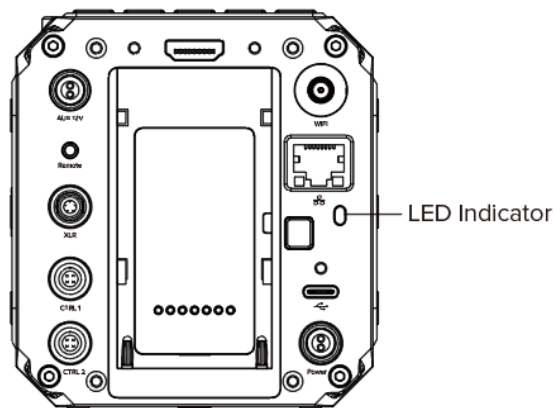
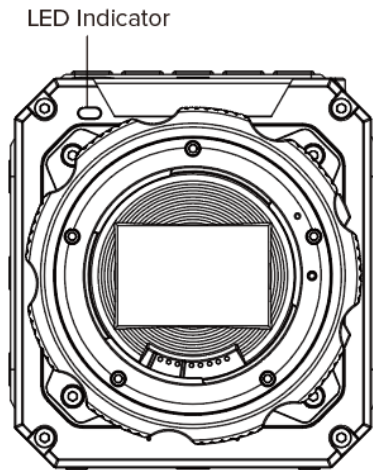


- **Playback**

Short press **Power** button when the camera is in **Standby / Preview** mode, it will switch to **Playback** mode. Short press **Power** button again to come back to **Standby / Preview** mode.



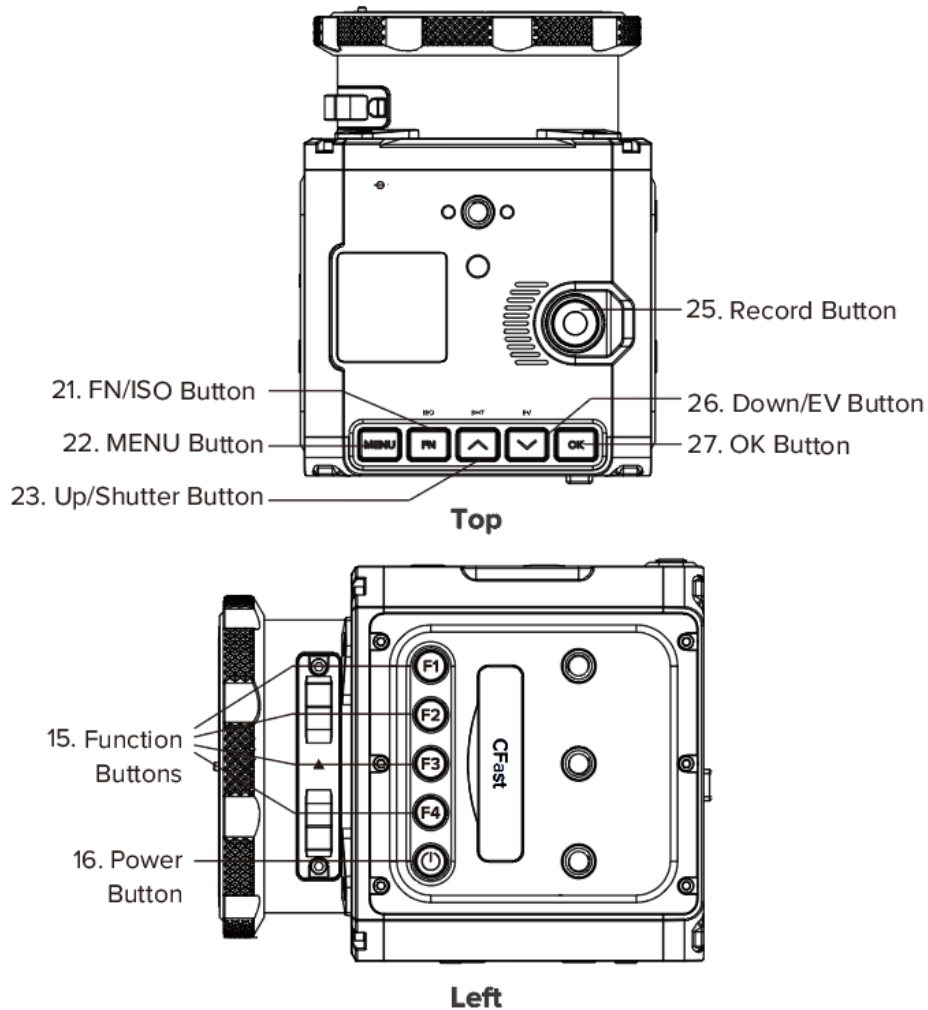
1.4. LED Indicator Status



- **Green** : Standby
- **Red** : Recording.
- **Flashing Red (every 1s)** : No memory card.
- **Flashing Red (every 0.5s)** : Memory card is full.

- **Flashing Red** (every 0.2s) : Camera overheat.
- **Flashing Red** (very fast) : Critical error.
- **Flashing Red** (fast & slow alternant) : Low battery

1.5. Buttons

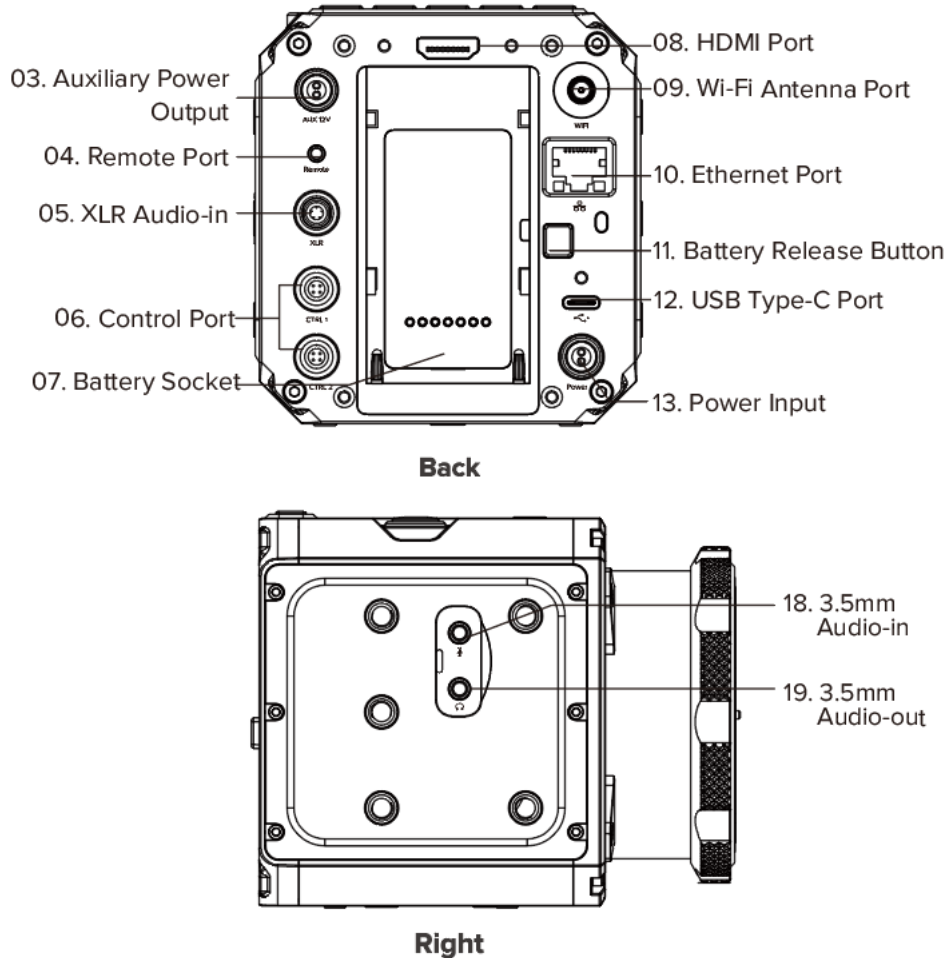


- **MENU button:** Enter / exit the camera settings, or return to the previous menu in camera settings.
- **FN / ISO button:** FN function in camera settings, or ISO quick setting in standby / preview / recording mode by default.
- **Up / SHT button:** Up selection (or add value) in camera settings, or Shutter Speed / Shutter Angle quick setting in standby / preview / recording mode by default.

- **Down / EV button:** Down selection (or reduce value) in camera settings, or EV quick setting in standby / preview / recording mode by default.
- **OK button:** Confirmation in camera settings, or to trigger the Auto Focus function in standby / preview / recording mode by default (with lens supports auto focus and the Auto Focus function on the camera is enabled).
- **F1 button:** AEL (Auto Exposure Lock) by default.
- **F2 button:** Load profile by default.
- **F3:** Aperture quick setting by default.
- **F4:** No function by default.
- **Power button:** Long press for 3 seconds to power on / off the camera, short press to switch to / back from **Playback** mode.

Note: Quick setting function of FN / Up / Down / OK / F1 / F2 / F3 / F4 buttons can be changed in system menu (2.10 System – User button).

1.6. Interfaces



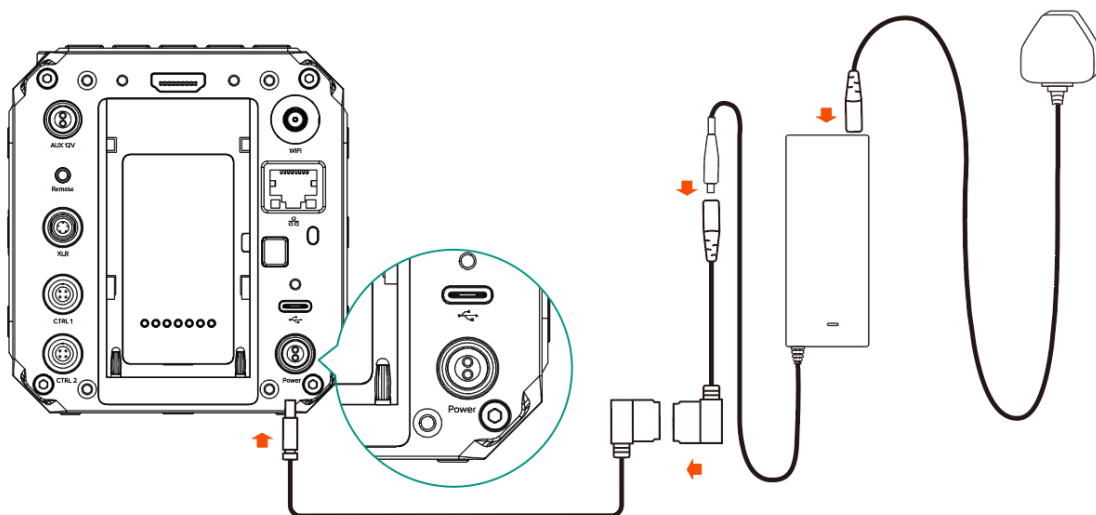
- **Auxiliary Power Output:** DC 12V (2-pin LEMO socket), can supply power to other devices.
- **Remote:** 2.5mm jack socket, compatible with Sony LANC protocol.
- **XLR audio-in:** 5-pin LEMO port for dual-channel XLR microphone, require additional XLR audio connector (compatible with ARRI Mini XLR connector).
- **Control Port:** 2 x serial port (4 pin aviation connector), support RS232 protocol.
- **HDMI port:** HDMI 2.0 Type A standard port
- **Wi-Fi antenna port:** Connect Wi-Fi antenna to use 5GHz Wi-Fi antenna port, support 802.11 a/n/ac standard.
- **Ethernet port:** Gigabit Ethernet port for camera control, setting & live preview.
- **USB Type C port:** USB 3.0 standard. Can be connected to mobile devices for camera control, setting and live preview, and be connected to computers for data transmission.

* Due to the used enclosure material, the product shall only be connected to a USB Interface of version 3.0. The connection to so called power USB is prohibited.

- **3.5mm Audio-in:** 3.5mm (TRS) jack socket for stereo audio input (Mic Level & Line Level supported), can connect to microphone or audio output device.
- **3.5mm Audio-out:** 3.5mm (TRS) jack socket for support stereo output, can be connected to headset or earphone.

1.7. Power Options

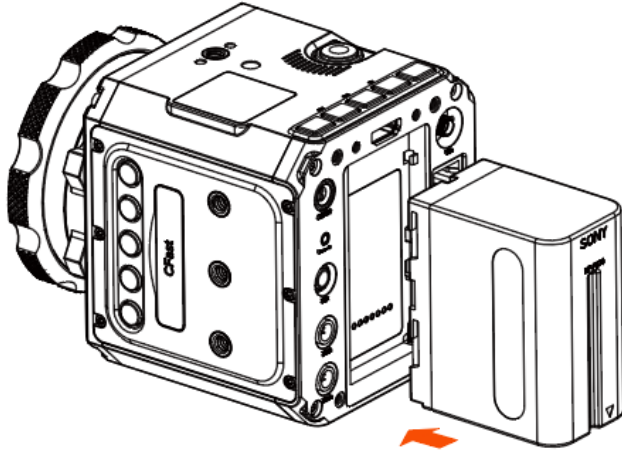
- **External Power Source:** The camera comes with a power cable (D-TAP plug end), D-TAP/DC connector , and can be connected to an AC/DC power adapter with 12V / 5A output, and 2.1 x 5.5mm DC plug. (Power adapter not included in the package)



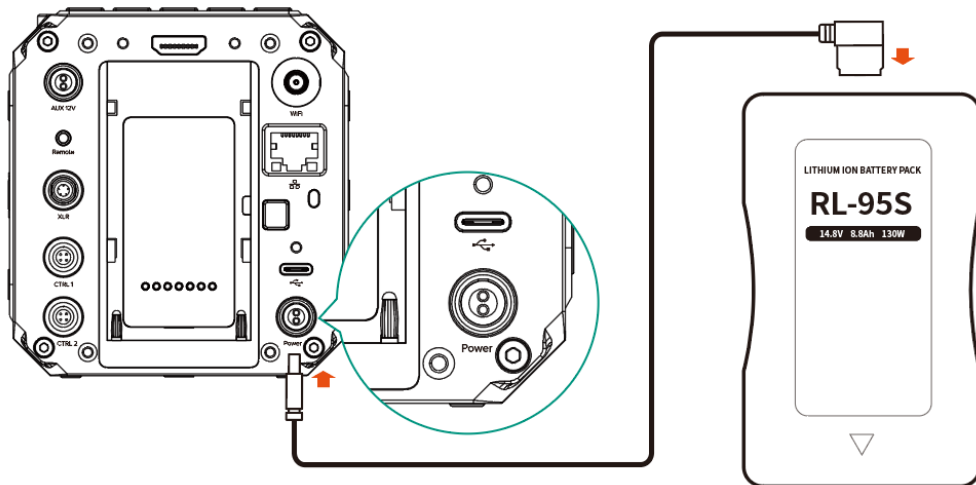
AC/DC power adapter not included in the standard package. Please use an appropriate & qualified power adapter, or consult the dealer to buy one.

The recommended AC/DC Power Adapter is 12V/5A output, 5.5x2.1mm DC plug, and the adapter shall be CE approval type.

- **Camera Battery:** The battery socket is compatible with SONY NP-F series batteries, including NP-F970/770/550 etc. (Battery not included in the package)



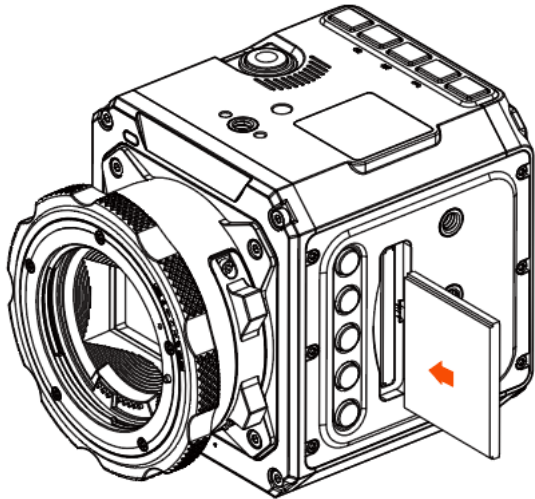
- **V Mount Battery:** Connect the camera to a V mount battery (with D-TAP port) with the power cable (D-TAP plug).



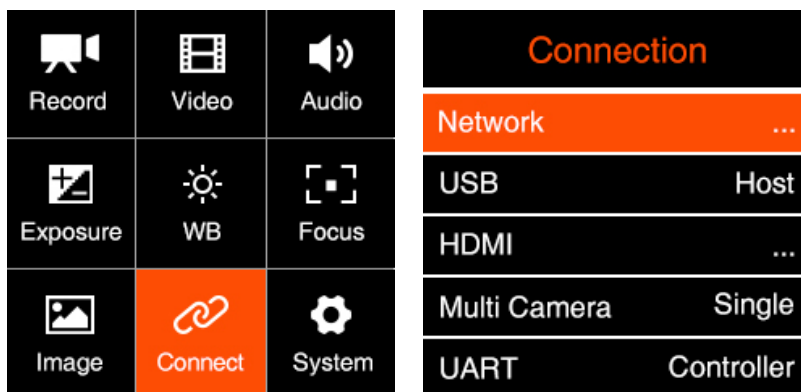
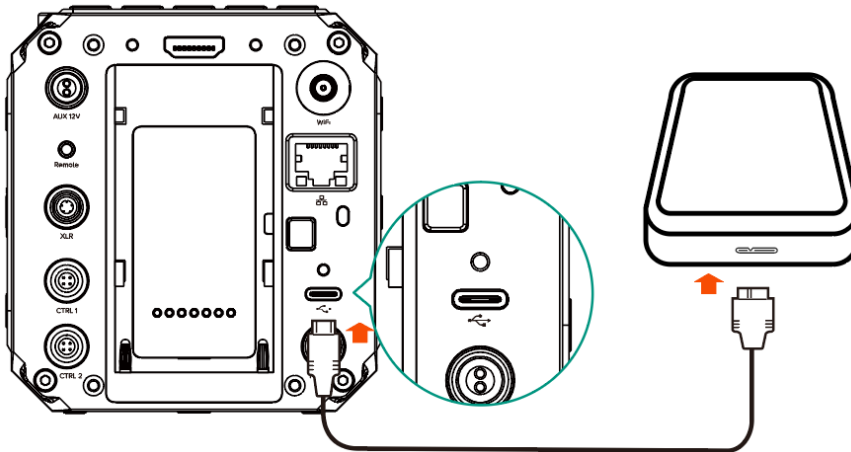
1.8. Storage

The camera uses CFast 2.0 card or SSD as storage.

- **CFast card:** The camera has 1 x internal CFast card slot, which supports CFast 2.0 standard. Insert the CFast card with correct direction, push it to the end until it's locked. To take out the CFast card, push in the card and it will be unlocked, then take it out from the slot.



- **SSD:** Connect the SSD through USB-C port on back of camera as storage. (Note: USB-C port must be in “Host” mode, see **2.9 Connect - USB**)



Please note that the SSD will NOT be recognized if there is a CFast card in the camera.

Attention: When using a CFast or SSD on Z CAM E2 for the first time, please format it before recording (**2.10 System – Format Card**).

2. Camera Settings

2.1. Quick Setting

When the camera is in **Standby** or **Recording** mode, some key settings can be quickly accessed by pressing the buttons on the camera.

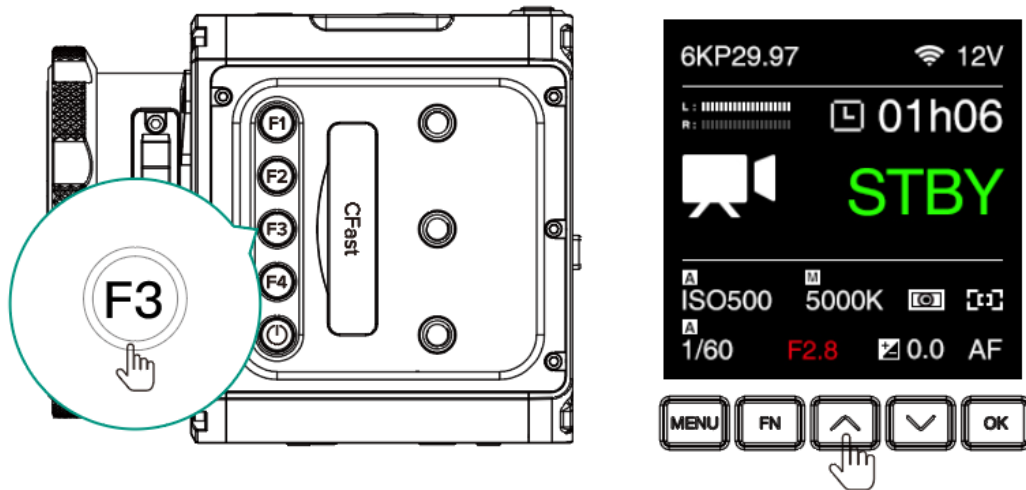
- **ISO:** Press **FN** to set ISO, then press **Up / Down** to adjust the value, and **OK** to confirm.



- **Shutter:** Press **UP** to set shutter speed / angle (refer to **2.5 Exposure – Shutter Operation** about shutter speed / shutter angle), then press **Up / Down** to adjust the value, and **OK** to confirm.



- **Aperture:** Press **F3** to set the aperture, then press **Up / Down** to adjust the value, and **OK** to confirm.



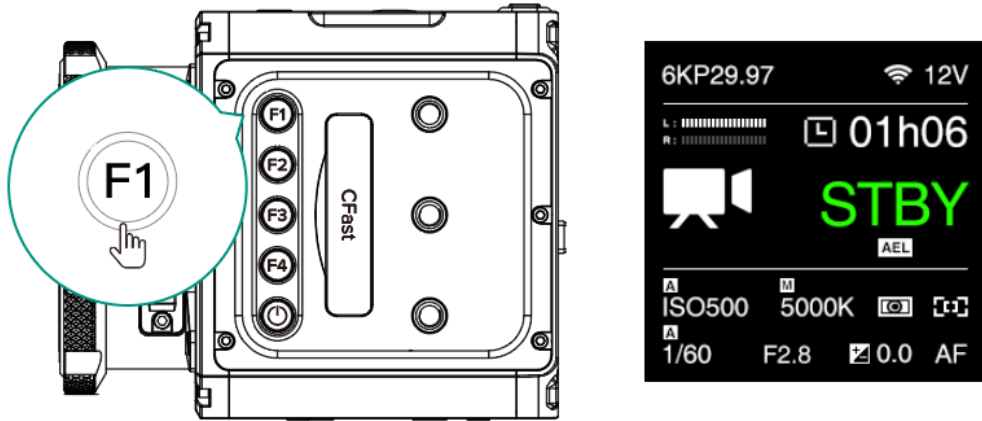
- **EV:** Press **DOWN** to set EV, then press **Up / Down** to adjust the value, and **OK** to confirm.



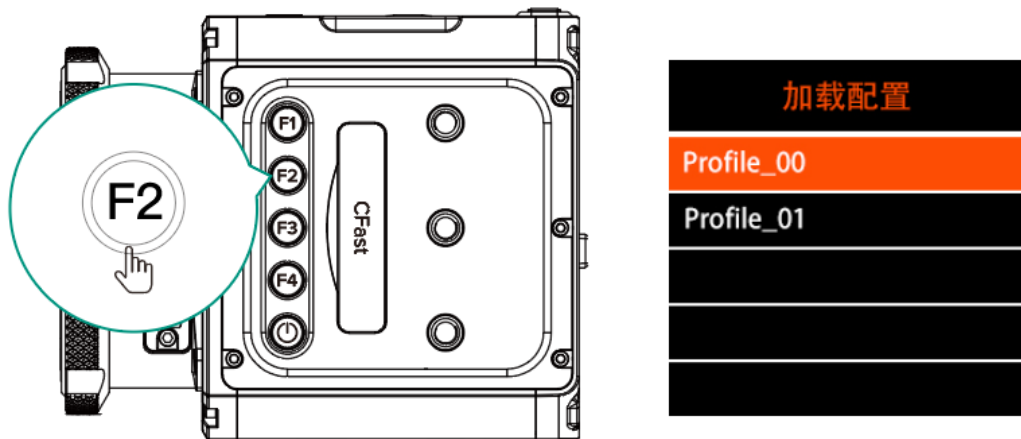
- **AF:** When the lens supports auto focus and the Focus on the camera is set to AF, press **OK** to trigger the auto focus function.



- **AEL (F1):** Press **F1** to lock the exposure, then press again to unlock

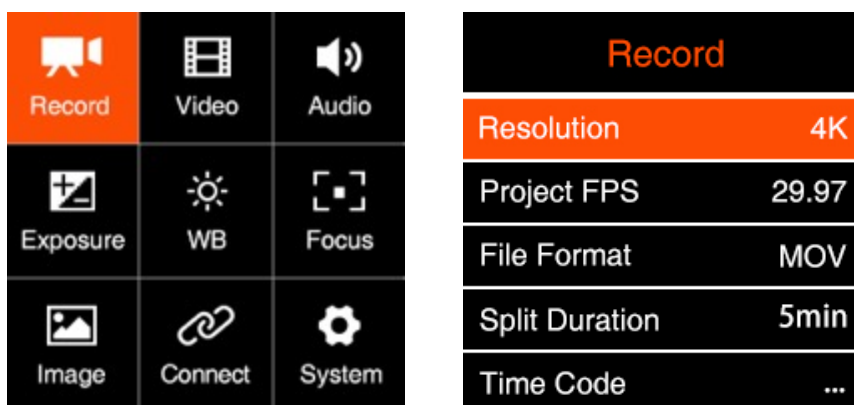


- **Load profile (F2):** Load the configuration saved in the camera. (2.10 System User Profile).



Note: Quick setting function on the buttons can be changed in system setting (2.10 System – User Button).

2.2. Record



- **Resolution**

- **Z CAM E2-M4**

Resolution	Details
4K DCI	4096 x 2160
4K UHD	3840 x 2160
4K DCI 2.4:1	4096 x 1728
4K UHD 2.4:1	3840 x 1620
4K 4:3	3696 x 2772
4K 6:5	3312 x 2760
Super 16	2704 x 1600
FHD	1920 x 1080

- **Z CAM E2-S6**

Resolution	Details
6244 x 4168	Open Gate
6K UHD	5760 x 3240
6K DCI	6144 x 3240
6K 2.4:1	6144 x 2592 (2.4:1 aspect ratio)
5K 4:3	5552 x 4164 (4:3 aspect ratio), can be used with anamorphic lens.
5K 6:5	4992 x 4160 (6:5 aspect ratio), can be used with anamorphic lens.
4K DCI (Low Noise)	4096 x 2160, Low Noise Mode*
4K DCI	4096 x 2160

4K 2.4:1	4096 x 1728 (2.4:1 aspect ratio)
4K UHD (Low Noise)	3840 x 2160, Low Noise Mode*
4K UHD	3840 x 2160
Super16 (16:9)	3392 x 1908 (16:9), S16 mode, suitable for S16 cinema camera lens.
FHD	1920 x 1080

- Z CAM E2-F6

Resolution	Details
6064 x 4040	Open Gate
6K UHD	5760 x 3240
6K DCI	6064 x 3196
6K 2.4:1	6064 x 2560 (2.4:1 aspect ratio)
5K 4:3	5376 x 4032 (4:3 aspect ratio), can be used with anamorphic lens.
5K 6:5	4848 x 4040 (6:5 aspect ratio), can be used with anamorphic lens.
4K DCI	4096 x 2160
4K UHD	3840 x 2160
4K 2.4:1	4096 x 1728 (2.4:1 aspect ratio)
Super16 (16:9)	2112 x 1188 (16:9), S16 mode, suitable for S16 cinema camera lens.
FHD	1920 x 1080

- Z CAM E2-F8

Resolution	Details
8K 2.4:1	8192 x 3456

8K UHD	7680 x 4320
6K DCI	6144 x 3240
6K UHD	5760 x 3240
4K UHD	3840 x 2160
Super16 (16:9)	3392 x 1908 (16:9), S16 mode, suitable for S16 cinema camera lens.

** With lower noise in shadow area in this mode, but the jelly effect will be more obvious. So it is suitable for static scenes shooting or less moving scene.*

- **Project FPS:** Frame rate of the video project. It will be different for each camera when the resolution is set to different values.

- **Z CAM E2-M4**

Resolution	Frame Rate (fps)
4096 x 2160 (4K DCI) / 3840 x 2160 (4K UHD) □ 4096 x 1728 (4K DCI 2.4:1) / 3840 x 1620 (4K UHD 2.4:1) 3696 x 2772 (4:3) / 3312 x 2760 (6:5) / 2704 x 1600 (Super 16) / 1920 x 1080 (FHD)	23.98 / 24 / 25 / 29.97 / 50 / 59.94

- **Z CAM E2-S6**

Resolution	Frame Rate (fps)
6244x4168 / 6K DCI / 6K UHD / 5K 4:3 / 5K 6:5 / 4K DCI (Low Noise)/ 4K UHD (Low Noise)	23.98 / 24 / 25 / 29.97
6K 2.4:1 / 4K DCI / 4K 2.4:1 / 4K UHD / Super16 (16:9) / FHD	23.98 / 24 / 25 / 29.97 / 50 / 59.94

- **Z CAM E2-F6**

Resolution	Frame Rate (fps)
6064 x 4040 / 6K DCI / 6K UHD / 5K 4:3 /	23.98 / 24 / 25 / 29.97

5K 6:5 /	
6K 2.4:1 / 4K DCI / 4K UHD / 4K 2.4:1 / Super16 (16:9) / FHD	23.98 / 24 / 25 / 29.97 / 50 / 59.94

Z CAM E2-F8

Resolution	Frame Rate (fps)
8K 2.4:1 / 8K UHD / 6K DCI / 6K UHD	23.98 / 24 / 25 / 29.97
4K UHD / Super16 (16:9)	23.98 / 24 / 25 / 29.97 / 50 / 59.94

- **File format:** MOV / MP4
- **Split duration:** 1 / 5 / 10 / 15 / 20 / 30 / 60 min. The camera will split the video with the length set here automatically.

Note: After the first section via camera automatically splitting, the out of sync problem between audio and video will happen. You need to use “Z CAM™ Video Concatenator” to merge the video section before the post editing and processing. The download link as below:

<http://www.z-cam.com/cn/software-update/>

- **Time Code:** Set the time code, there are sub-items as below:
 - **Time Code Source:** Internal / External
 - **Time Code Value:** Reset / Manual / Current
 - **Reset:** Reset the time code value to 0.
 - **Manual Input:** Set the time code value manually 00:00:00:00 (hour:minute:second:frame) .
 - **Current Time:** Set time according to the camera system setting time.
 - **Count Up:** Rec Run / Free Run.
 - **Rec Run:** Counts the time code only when recording video.
 - **Free Run:** Counts the time code even when not recording video (including when the camera is power off)
 - **Time Code Mode:** DF / NDF.
 - **DF:** The camera modifies the difference between recorded time and time code. Seconds and frames are separated by “.”. (Example: 00:00:00.00)

- **NDF:** Records the time code without drop frame. Seconds and frames are separated by “:.”. (Example: 00:00:00:00)

- **HDMI Display:** On / Off. To enable / disable the display of time code through HDMI output.

- **Playback FR:** Default / VFR. When it’s set to Default, the frame rate of playback will be the same as set in Project FPS, when it’s set VFR, the frame rate of playback will be the same as set in Variable Frame Rate (2.3 Video – Variable Frame Rate)

For example: Set “Record”-“Project FPS” to 29.97, and “Video”-“Variable Frame Rate” to 120. If the "playback FR" is set to “Default”, the playback frame rate of the video is 29.97fps (4-fold slow motion). If the "playback frame rate" is set to “Variable Frame Rate”, the playback frame rate of the video is 120fps (normal speed).

- **Meta Setup:** Set the camera metadata, include “Camera ID” and “Reel Name”.
 - Camera ID: A ~ Z
 - Reel Name: 001 ~ 999
- **Pre Roll:** On / Off. Set “Pre Roll” to “ON”, there would appear one red flashing circle on the left of remaining recording time (See the below picture) . To press **Record** button to start recording, the camera will automatically save the first 5 seconds before pressing record button.

2.3. Video



Video	
Variable Framerate	Off
Encoder	H.265
Bitrate	High
Proxy Track	Off
Rotation	Normal

- **Variable Frame Rate (VFR):** With VFR you can set a different frame rate for capturing based on the Project FPS for recording, in this way you can get a slow-motion or fast-motion footage.

VFR options are related to the Resolution and Project FPS in Record setting. And the maximum VFR is related to the exact camera model and resolution, see below:

Z CAM E2-S6

Resolution	Max Variable Frame Rate (fps)
6244 x 4148	30
6K DCI	48
6K UHD	48
6K 2.4:1	60
5K 4:3	30
5K 6:5	30
4K DCI	75
4K DCI (Low Noise)	30
4K UHD	75
4K UHD (Low Noise)	30
4K 2.4:1	100
Super16 (16:9)	75
FHD	120

Z CAM E2-F6

Resolution	Max Variable Frame Rate (fps)
6064 x 4040	30
6K DCI	48
6K UHD	48
6K 2.4:1	60

5K 4:3	30
5K 6:5	30
4K DCI	72
4K UHD	72
4K 2.4:1	120
Super16 (16:9)	170
FHD	120

Z CAM E2-F8

Resolution	Max Variable Frame Rate (fps)
8K 2.4:1	30
8K UHD	30
6K DCI	30
6K UHD	30
4K UHD	60
Super16 (16:9)	60

*Each resolution to the highest variable frame rate subject to H.265 encoder standard.

- **Encoder:** H.264 / H.265 / ZRAW

The corresponding color bit depth and sampling of each encoding format are as follows:

Encoder	H.264	H.265	ZRAW
Color Bit Depth	8bit	10bit	12bit

Color Sampling	4:2:0	4:2:0	N/A
-----------------------	-------	-------	-----

Max frame rate @30fps for ZRAW encoder.

- **Bitrate:** High / Middle / Low. Value of the bitrate varies in different resolution and frame rate.

Resolution	Frame Rate Range (fps) *	Bitrate (Mbps)		
		H	M	L
8K (8K 2.4:1, 8K UHD)	FR <= 30	500	400	200
6K (Open Gate, 6K DCI, 6K UHD, 6K 2.4:1)	30 < FR <= 60	300	190	130
	FR <= 30	250	160	100
5K (5K 4:3, 5K 6:5)	FR <= 30	250	160	100
4K (4K DCI, 4K UHD, 4K 2.4:1) / Super16 (16:9)	FR > 60	300	200	160
	30 < FR <= 60	230	150	100
	FR <= 30	200	130	60
FHD	FR > 60	200	130	60
	30 < FR <= 60	60	30	15
	FR <= 30	30	20	10

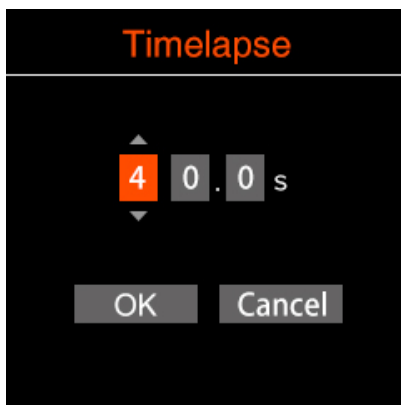
* If **VFR** is activated, the frame rate here refers to the frame rate in **VFR**, otherwise it refers to the frame rate in **Movie Format**.

For ZRAW, the bitrate is 1.2Gbps.

- **Proxy Track:** On / Off. To enable or disable proxy track recording during video recording, it will automatically “On” when using ZRAW as recording encoder, which will record a second video track (H.265) into the video file.
- **Rotation:** Normal / Upside Down. Rotate the image by 180 degrees.

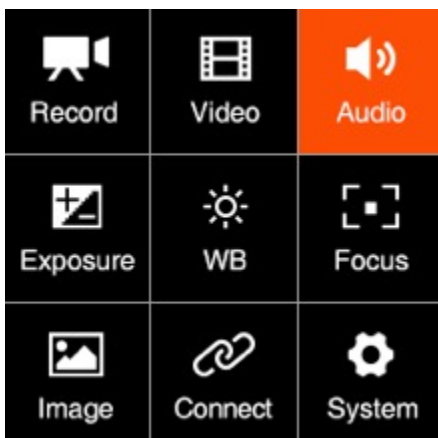
Note: This setting is available only when the frame rate of recording is under 30fps (include 30fps). The display on the LCD and the video output from HDMI will not be rotated during preview and recording in current firmware, and only the video recorded in the storage will be rotated when it’s set to “Upside Down”.

- **Timelapse:** Off / Manual, when it’s Off, the camera is in normal record mode. When it is set to a specific value, the camera is in time lapse video mode.



- **VFR Control:** Coarse / Fine
 - Coarse: Adjust based on the camera’s preset value within the range of VFR
 - Fine: VFR fine control within the range of VFR, 1 frame per step.

2.4. Audio

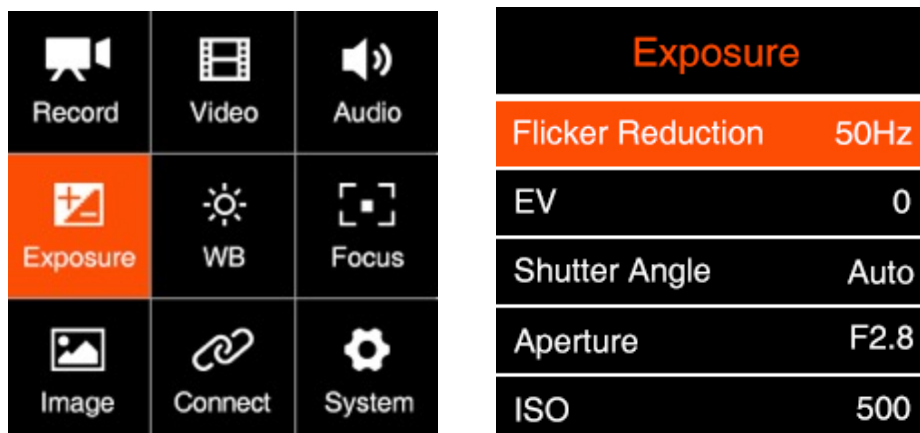


Audio	
Encoder	AAC
Input	XLR
Input Level	Mic Level
Input Gain	0dB
Output Gain	0dB

- **Encoder:** None / AAC / PCM
- **Input:** Off / Microphone / XLR / Mic Left + XLR Right / Mic Right + XLR Left
 - **Off:** Turn off all audio input.
 - **Microphone:** The camera will use built-in microphone as audio input if there is no external microphone plugged into the 3.5mm audio-in port, and will use the external microphone if there is one plugged into the 3.5mm audio-in port.
 - **XLR:** Take XLR port as audio-in
 - **Mic Left + XLR Right:** Take 3.5mm audio-in(microphone) left channel, and XLR port right channel to merge for audio-in
 - **Mic Right + XLR Left:** Take 3.5mm audio-in(microphone) right channel, and XLR port left channel to merge for audio-in
- **Input Level:** Mic Level / Line Level
- **Input Gain:** -18 ~ 6 dB, can be set manually.
- **Output Gain:** -6 ~ 6 dB, can be set manually.
- **Phantom Power:** Enable / Disable. Available when “Input” is set to “XLR,” “Mic Left + XLR Right” and “Mic Right + XLR Left” to enable or disable the phantom power of the XLR port.
- **Audio Level Display:** Disable / Enable , enabling this setting displays the audio level on the standby screen.



2.5. Exposure



- **Flicker Reduction** : 60Hz / 50Hz. It's set to eliminate light flicking caused by the frequency of the electricity, which is 60Hz in North America and some parts of Asia. (South Korea , Philippines , Taiwan of China), And 50Hz for China mainland, other countries and regions.

- **EV**: -3.0 ~ 3.0

- **Shutter Speed / Shutter Angle**: This setting depends on whether “Shutter Speed” or “Shutter Angle” is selected in **2.5 Exposure - Shutter Operation**

Shutter Speed: Auto / Manual (1~1/8000”) *

Shutter Angle: Auto / Manual (1° ~ 360°)

* *The minimum shutter speed “1” is available only when " variable frame rate "is set to “1”.*

- **Aperture**: It shows the range of aperture of the lens, and can be adjusted manually if it's an electrical lens. Only for lenses with electronic contacts. If the lens used is a purely mechanical without electronic contacts, the aperture value is not shown here.
- **ISO**: ISO optional values depend on the setting in ISO control. The native ISO value varies from different models.

ISO Control	ISO
Fine	400 ~ 125000
Dual Native ISO	Z CAM E2-F6: 400 / 2500 Z CAM E2-S6 & E2-F8: 400 / 1250

- **eND:** (to be added later).
- **Minimum ISO:** This setting will only be enabled when **ISO** is set to “Auto”.
- **Max ISO:** This setting will only be enabled when **ISO** is set to “Auto”.
- **Max Shutter Speed / Max Shutter Angle:** This setting will be activated if Shutter Speed / Shutter Angle is in **Auto** mode.

Max Shutter Speed: Auto / Manual (1" ~ 1/1600") *

Max Shutter Angle: Auto / Manual (1°~ 360°)

** Minimum shutter speed “1” is optional only when variable frame rate is set to “1”.*

- **Metering Mode:** Center / Average / Spot, it sets the metering mode of exposure.
- **Shutter Operation:** Speed / Angle
- **ISO Control:** Fine / Native ISO
 Fine: ISO can be set in detail value within ISO range (according to standard ISO definition)
 Native ISO: only native ISO can be selected.
- **AE Speed:** Slow / Normal / Fast
- **Lock In Record:** Off / On. Enable this function, it will automatically lock the exposure during recording.

2.6. White Balance

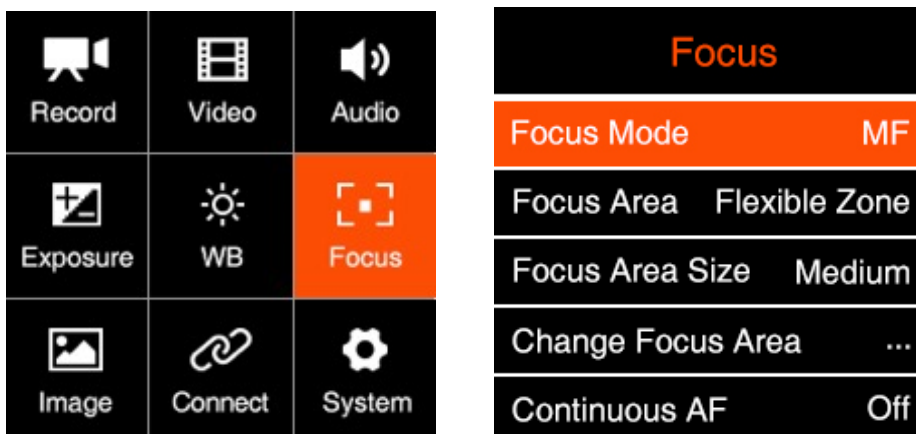


White Balance	
Mode	Manual
Kelvin	7500
Tint	21
Priority	Ambiance
Lock In Record	Off

- **Mode:** Auto / Incandescent / Cloudy / D10000 / Fluorescent / Daylight / Shade / Manual
- **Kelvin:** When **White Balance** is set to “Auto” or “Preset Value”, it shows the current color temperature, when **White Balance** is set to “Manual”, it can be adjusted manually (2300 K ~ 7500 K)
- **Tint:** -100 ~ 100, default is 0.
- **Priority:** Ambiance / White
 - **Ambiance:** To increase the intensity of the image’s warm color cast when shooting a tungsten-light scene.
 - **White:** To reduce the intensity of the image’s warm color cast when shooting a tungsten-light scene.
- **Lock In Record:** Off / On. Enable this function, it will automatically lock the white balance during recording.

* AWB always use white priority in Z-Log2

2.7. Focus



- **Focus Mode:** MF (Manual Focus) / AF (Auto Focus)
- **Focus Area:** Flexible Zone / Human Track. This will only be enabled when **Focus Mode** is set to “Auto Focus”.
 - **Flexible Zone:** Can move focus area via Up / Down button
 - **Human Track:** The camera can detect whether there is a human body in the

picture. If yes, the focus area will keep tracking the human body automatically.

- **Focus Area size:** Small / Medium / Large. This will only be enabled when **Focus Mode** is set to “AF” and **Focus Area** is set to “Flexible Zone”.
- **Change Focus Area:** Move the focus area via Up / Down button. This will only be enabled when **Focus Mode** is set to “AF” and **Focus Area** is set to “Flexible Zone”.
- **Continuous AF (CAF):** On / Off. This will only be enabled when **Focus Mode** is set to “Auto Focus”. When CAF is activated, the camera will continuously adjust the focus as to follow the target object when it is moving.
- **Live CAF:** On / Off. This will only be enabled when **CAF** is set to “On”. Active continuous focus in real time according to the scene.
- **CAF Sensitivity:** High / Medium / Low. This will only be enabled when **CAF** is activated.
- **MF Assist**
 - **Preview:** On / Off
 - **Recording:** On / Off

This will only be enabled when Focus Mode is set to **MF**. When it is set to On, the image in the focus mode will enlarged to 2 x size on the screen(both LCD display and HDMI output) when the focus is being adjusted manually. And it be set for Preview and Recording separately.

2.8. Image

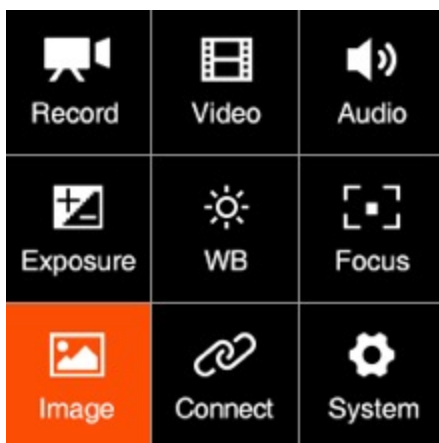
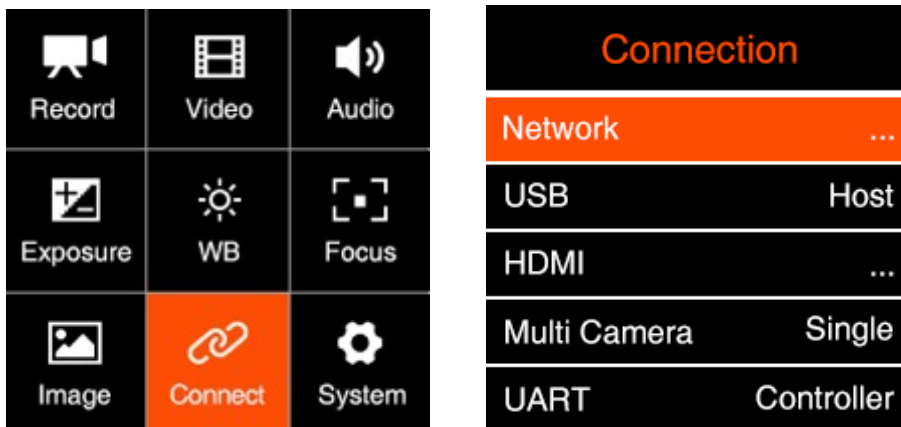


Image	
Image Profile	Z-Log2
Sharpness	Weak
Brightness	50
Saturation	50
Contrast	50

- **Image Profile:** Rec.709 / Z-Log2 / Flat / HLG
 - **Rec.709:** It is Rec.709 like color space, which is usually used for directly output
 - **Z-Log2:** It is the log developed by Z CAM, with 13 stops of dynamic range and reserve more detail in highlight area, good enough for post processing.

- **FLAT:** It is 709 like curve with color information, and lower the contrast for easy post processing.
- **HLG (Hybrid Log-Gamma):** Encode the high-light and low-light parts of the HDR signal in two different ways in which the low-light part use the standard gamma curve and the high-light part use the logarithmic curve.
- **Sharpness:** Strong / Medium / Weak, default Medium.
- **Brightness:** 0~100, default is 50.
- **Saturation:** 0~100, default is 50.
- **Contrast:** 0~100, default 50.
- **Luminance Level:** Full / Limited. The range of luminance level is 0~255 when it's set to Full, and 16~235 when it's set to Limited.

2.9. Connect



- **Network:** there are sub-items as below:
 - **Wi-Fi:** Off / On. When the Wi-Fi is activated, here will show the Wi-Fi ID, which is ZCAM-E2-XX-XXXX (last four digits which match to the camera ID), and the default password is: **12345678**, which can only be changed with iOS app (**6. Using Z Camera App**)
 - **Wi-Fi IP:** Here will show IP address of the Wi-Fi when it's is activated.
 - **ETH. Mode (Ethernet Mode):** Direct / Router / Static
 - **Router:** Camera is connected to the computer through a router, IP address will be assigned by the router.
 - **Direct:** Camera is connected to the computer directly through Ethernet

cable, camera will generate the IP address. The default is: 10.98.32.1

- **Static:** to set the IP address with configuration file. (Please contact Z CAM's technical support if you want to set this)

- **ETH. IP:** IP address of the Ethernet when it's connected.

- **USB:** Host / Mass Storage / Network / Serial

- **Host:** The camera will act as a host device which can transfer data to external storage (SSD e.g.) or communicate with external device like smart phone or tablet etc. with **Z Camera** app (**6. Using Z Camera App**).

- **Mass Storage:** The camera will be recognized as a storage when it is connected to a computer (PC / Mac), and the file on the CFast card inside the camera can be accessed.

- **Network:** The camera will act as a RNDIS device.

The camera will be recognized as a RNDIS device when it is connected to a computer (PC / Mac) or external device. Computer or external device can access or control the camera using the HTTP API. (for HTTP API information, contact Z CAM technical support)

- **Serial:** The camera will be controlled by UART command from a computer through USB port.

- **HDMI:** Display Info. / OSD Layout / Resolution / Use EDID

- **Display Info:** On / Off. Turn on / off camera status on HDMI monitor.

- **OSD Layout:** Type 1 / Type 2

Type 1: Assist tool as waveform etc. display on the video directly.

Type 2: Add the black frame area to display assist tool.

- **Resolution:** Auto / Manual (options supported by the HDMI display).

Auto: The camera will select the most suitable format (resolution & frame rate) from the HDMI monitor.

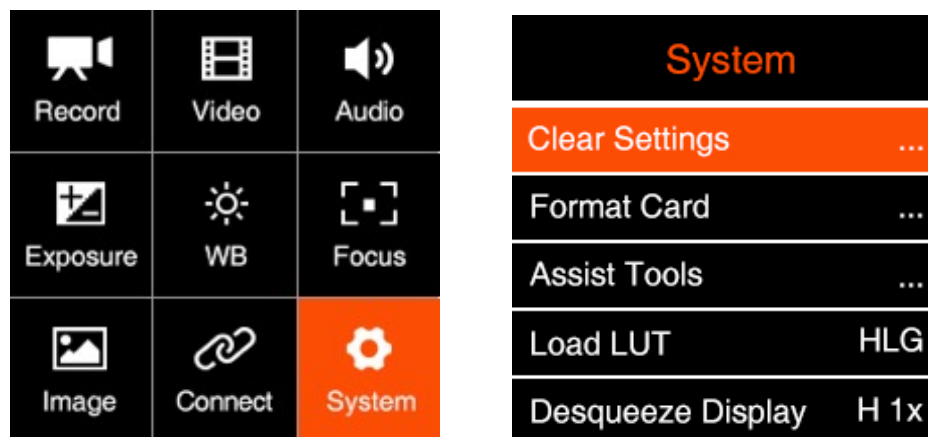
Manual: Here will list the formats supported by the HDMI monitor for the user to select manually.

- **Use EDID:** Disable / Enable. This setting determines whether the camera automatically reads the EDID information of the HDMI connected monitor.

- **UART Role :** Controller / Pelco D / Multiplexer / Linear TC.

- **UART Role2** : Controller / Pelco D / Multiplexer / Linear TC, can set separately:
 - **Controller**: The camera will be controlled by UART command from a computer through COM port.
 - **Pelco D** : The camera will control the external device like a gimbal through COM port with Pelco D protocol.
 - **Multiplexer** : Need 3rd-party device to support.
 - **Linear TC**: to be supported with extra accessories later.

2.10. System



- **Clear Settings** : Clear all the Settings in the camera and set them to default values.
- **Format Card** : Format the CFast card or the external SSD connected through USB Type C port (if there is no CFast card in the camera). **Please note that formatting will erase ALL DATA in the storage!**
- **Assist Tools**: There is three sub-items in this setting: Display / Scope / Peak / Exposure / Frame Line / Center Mark / Grid Line / Safe Area
 - **Display**: On / Off. To enable or disable the assist tool on the display. Please note that when the assist tool is enabled, the effect will be output through HDMI together with the video stream. So you would need to turn it off if you are using external recorder though HDMI connection.
 - **Scope**: Tool / Opacity / Measure
 - Tool: Disable / Waveform / Parade / Vectorscope / Histogram, HDMI output

monitor view

-Opacity: 10~100, adjust the tool's transparency on the display

-Measure: Without LUT / With LUT, if it's set to " With LUT", then the scope tool will measure on the video with LUT, otherwise it will measure the video without LUT.

■ **Peak:** Enable / Color / Monochrome / Threshold

- **Enable:** Off / On, to enable / disable the Peak tool and set the color of peaking focus.
- **Color:** Red, Green, Blue, Orange and White, choose the color of peaking focus display.
- **Monochrome:** Off / On, enable "Monochrome", the screen becomes black and white, the peak color setting to remain.
- **Threshold:** 10~100, the high threshold means the extraneous edges on the back wall are not quite in focus.

■ **Exposure:** Tool / Zebra1 Setting / Zebra2 Setting

- **Tool:** Disable / False Color / Zebra / Monochrome

Select the appropriate exposure assist tool or turn it off. The False Color/ Waveform / Vectorscope are only displayed on the HDMI output screen.

- **Zebra1 setting:** 55~100, it can only be set when the tool is selected as "zebra".
- **Zebra2 setting:** 0~50, it can only be set when the tool is selected as "zebra".

■ **Frame line:** Ratio / Color

- **Ratio:** None / 2.4:1 / 2.35:1 / 1.9:1 / 1.85:1 / 4:3 Frame line can be displayed on the HDMI output screen according to the selected ratio.
- **Color:** Red, Green, Blue, Orange and White, can choose the color of frame line.

■ **Center Mark:** Enable / Color

- **Enable:** On / Off, when setting "Enable", there display cross mark on the center of HDMI output screen.
- **Color:** Red, Green, Blue, Orange and White, can choose the color of center mark.

■ **Grid Line:** On / Off, to turn on / off the grid line on HDMI output.

- **Safe Area:** On / Off, to turn on / off the safe area frame line on HDMI output.
- **Load LUT:** None / Rec709 / V709 / LC709A / zRGB_AR / zRGB_AX2 / sRGB / sCINE_709 / Rec2020 / HLG / P3D60 / P3D65 / P3DCI / F709 / Import

Note:

1. To import external LUT, the LUT file must be saved to **MISC/looks/preview/** of the storage (CFast card or external SSD).
 2. The LUT file must be x33 cube format.
 3. File name of the LUT can not exceed 16 letters and with no space.
 4. LUT is available in playback mode
- **Desqueeze Display:** H 1x / H 1.33x / H 1.5x / H 1.8x / H 2x / V 1x / V 1.33x / V 1.5x / V 1.8x / V 2x.. When the camera is using an anamorphic lens, it's to set the de-squeeze ratio as to horizontally or vertically resize the image correctly.
 - **User Profile :** Save Profile / Load Profile / Save To Card / Load From Card
 - **Save Profile:** Export current camera settings to a file and save it in the memory of the camera.
 - **Load Profile:** Select the saved configuration in the camera, import and apply it to the camera settings.
 - **Save To Card:** Export the current camera settings as a configuration file and save in storage of the camera (save in /MISC/profile/ directory, with file name suffix.prf)
 - **Load From Card:** Import the configuration file from the storage, and apply it to the camera settings.

Note: Configuration files saved on a memory card can be renamed, but only in English letters.

- **User Button:** Users can set the function for the keys (including **FN / F1 / F2 / F3 / F4 / POWER / UP / DOWN / OK**) on the camera except **MENU**. It can be defined as shortcut setting functions., which includes as below:

Playback (for power button only) / AE Lock / AF Lock / White Balance Lock / Aperture / ISO / Peak / Exposure Tool / Scope Tool / White Balance / HDMI OSD / Shutter / Exposure Value / AF / Magnifier / Focus Area / None

Note: the custom function of the power button is short press trigger, long press the power button is still on/off function.

- **Record Indicator:** On / Off. Set both front LED light and back LED light on / off
- **Restore Lens Pos.:** Disable / Enable.

When it's set to "Enable", the camera will remember the latest focusing position of the lens when the camera is shut down and restore it when it's powered on again (with the same lens only).

- **LCD Brightness:** 10 ~ 100, default 50.
- **Power:** Auto Power Off / Auto Standby / Low Alarm / Power Output
 - **Auto Power OFF :** Off / 30s / 1min / 2mins / 4mins / 8mins / 15mins
 - **Auto Standby:** Off / 1min / 5mins / 15mins
 - **Low Alarm:** NP-F series battery / V Mount battery, Low alarm voltage value for camera can be set for the different batteries.
 - **NP-F series battery:** 6.6V ~ 7.0V, Default as 6.8V
 - **V Mount Battery:** 13.1V ~ 13.5V, Default as 13.5V
 - **Power Output:** auxiliary power output, DC 12V (2-pin LEMO socket) / 2A max., can supply power to other devices.
- **Language :** 简体中文 / English
- **Date / Time:** Set the date and time of the camera.
- **Time Zone:** Set the time zone of the camera.
- **Camera Status:** Displays the current status of the camera, including storage capacity (used and remaining space) , temperature (inside the camera) , firmware version and camera ID etc.



- **Version:** Firmware version of the camera. If there is other version of firmware (newer

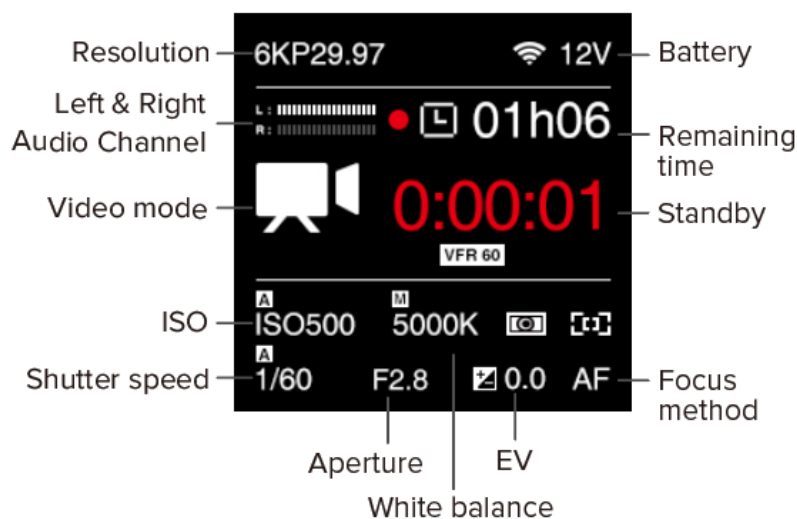
or older) on root of storage (CFast card or external SSD), press OK when Version is selected and there will pop up a message to update the firmware.

3. Video Recording

3.1. Start / Stop Recording

While camera is in **Standby** mode with CFast card inserted or SSD connected (and the storage is not full), press **Record** button to start recording, and press **Record** button again to stop recording.

The recording time and remaining time for recording (depends on the capacity of the storage) would appear on the LCD display.



3.2. Variable Frame Rate (VFR) Video Recording

VFR will enable you to record a footage with higher / lower frame rate in capturing than in playback, which is usually called slow motion / fast motion effect.

For example, to use Z CAM E2-F6 record a 4K 2.4:1 @120fps footage with playback frame rate in 4K 2.4:1 @29.97fps for example, you would need to follow the steps as below:

- 1) In **Record** setting, set **Resolution** to “4K 2.4:1”, **Project FPS** to “29.97” and make sure **Playback FR** is set to “Default”.
- 2) In **Video** setting, set **Variable Frame Rate (VFR)** to “120”.

- Go back to the standby status, an “VFR 120” icon would show up on LCD display, which means the camera is working with VFR in 120fps.

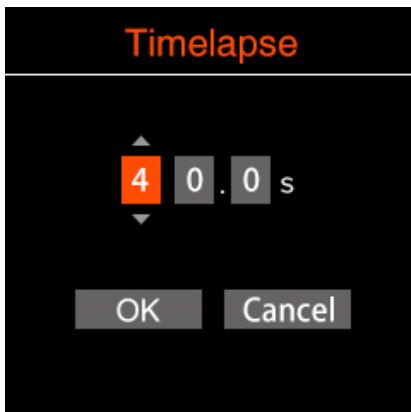
Note: Different resolution and frame rate settings correspond to different variable frame rate range. Refer to **2.2 Record** and **2.3 Video**.

3.3. Timelapse Video Recording

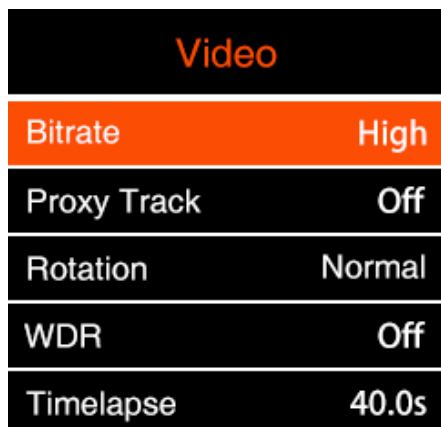
With **Timelapse** function, the camera can record time-lapse video with steps are as follows:

- Set **Video - Variable Framerate** to "off", otherwise it is not able to enable Timelapse setting.
- In **Video - Timelapse** setting, set the Timelapse interval value (the interval is the time between each frame shot) through the **FN** key (skip to the next setting item), and **UP/DOWN** button, then select “OK” to confirm it.

The minimum unit of interval time is milliseconds (0.1s), and the range can be set as 0.2s ~ 60s.



- After the timelapse interval is confirmed, the value will show in the item **Timelapse**, and the camera icon will change to timelapse recording mode on the standby screen.



- 4) Set other required video parameters, except the **Variable Framerate** can not be opened, the rest is the same as normal recording video.
- 5) Press **Record** button and the camera will start recording. Note that the recording time shown on the screen is the time-length of the video file that is being recorded, but not the time used for recording.

The formula to calculate the time required for recording and the time-length of the video file is:

Recording time = Timelapse interval time x frame rate x time-length of video file

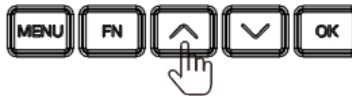
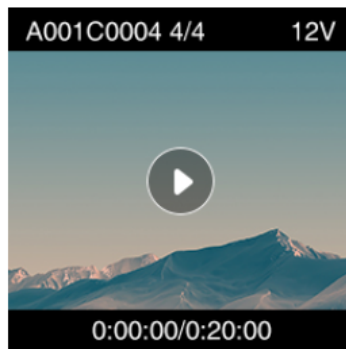
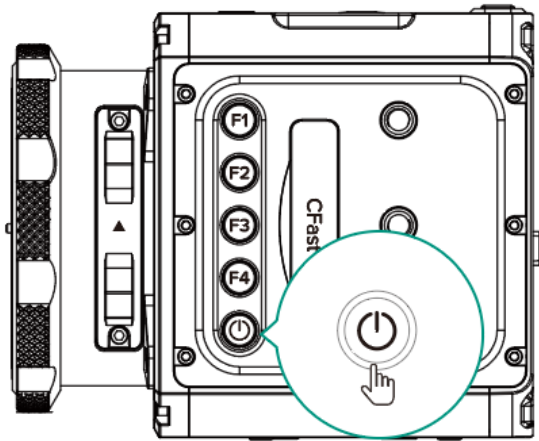
For example, if the timelapse interval is set to 0.5s and the recording frame rate is 25fps, then as to record 1 minute of timelapse video, the time required for recording will be $0.5 \times 25 \times 1 = 12.5$ minutes.

4. Video Playback & File Management

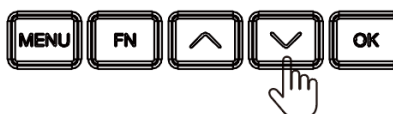
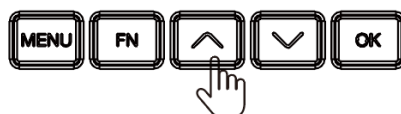
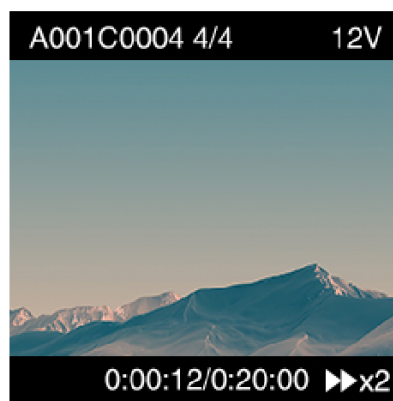
4.1. Video Playback

While camera is in **Standby** mode, short press **Power** button to enter into **Playback** mode, on the LCD display there would list the file folders on the storage(CFast card or external SSD).

Come into the folder then will show the thumbnail, video serial No. and the total number of the latest video in the folder. Press **Up** / **Down** button to browse the footages inside the folder.



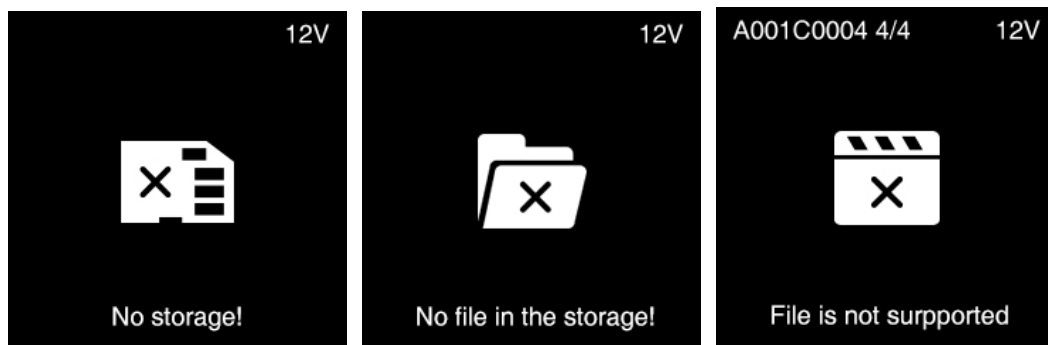
Press **OK** button to play the selected footage. When the footage is being played, press the **Up / Down** button to speed up / slow down (2x faster / slower).



Press **OK** button to pause, and press **MENU** button to stop it.



Please note if there is no storage in the camera, or there is storage in the camera but no video footage in the storage (or other files not supported), there will be alert message on the screen.



Note : LUT is supported in playback

4.2. Delete Video

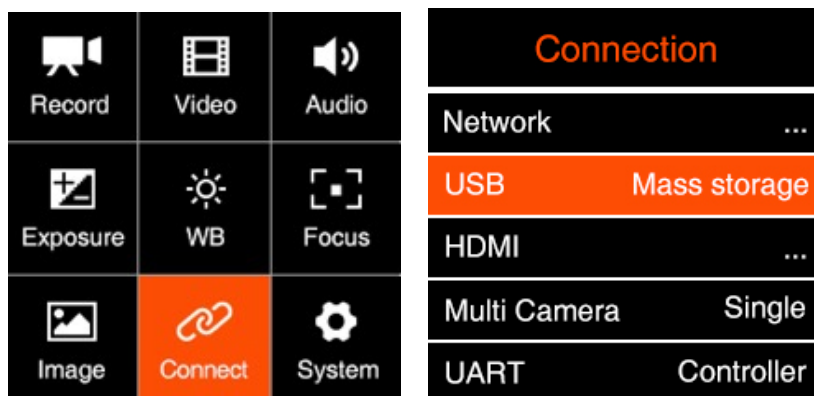
Under Playback mode, **long press FN button** when the video is not playing, there will be a pop-up confirmation message "Delete the file?" , select "Confirm" and then press **OK** to delete the file.

Note: The deleted file is not restorable, please double check before this action.

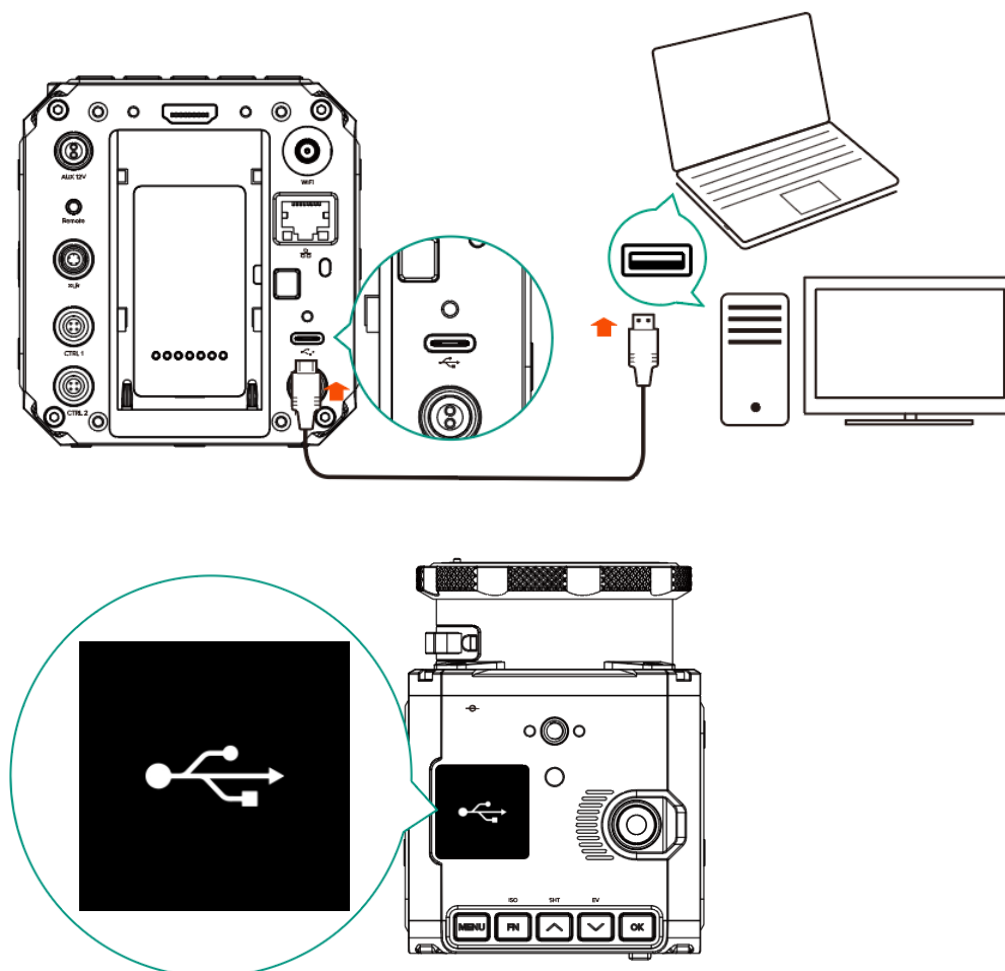
4.3. Download Video

Besides taking out the CFast card to get the footages recorded, you can also get the footages from the camera (with CFast card inside) to a computer through a USB Type C cable:

1. Power on the camera.
2. In **Connect** setting, set **USB** to “Mass storage”.



3. Connect the camera to a computer with a USB Type C cable, an “USB” icon would show up on LCD screen, then it’s connected successfully.



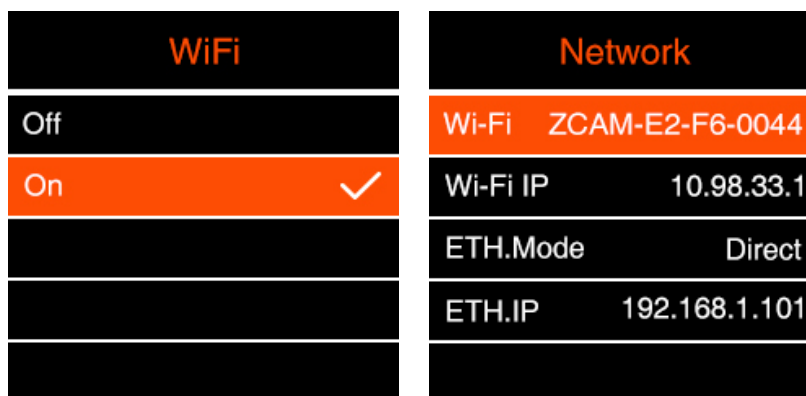
4. PC will detect the camera and shows it as external storage device. You can access & manage the files in the CFast card inside the camera.

5. Connect to the Camera

5.1. Wi-Fi Connection

You can connect the camera to an external device (smart phone / tablet) or a computer (PC / Mac) through Wi-Fi with following steps:

1. Install a Wi-Fi antenna to the **Wi-Fi Antenna Port** of the camera.
2. In **Connect – Network** setting menu, set the **Wi-Fi** to “On” , go back to **Network** setting, there will show the Wi-Fi ID: ZCAM-E2-XX-XXXX (last 4 digits match to camera ID) on the **Wi-Fi** item.



3. Press **MENU** to go back to **Standby** screen, there will be a **Wi-Fi** icon on top of the screen.



4. Connect to the camera from the iOS device or a computer with that Wi-Fi ID, and the default password of the Wi-Fi is **12345678**. (not changeable for now)

*WIFI Antenna Gain: 2 dBi, one antenna in standard package

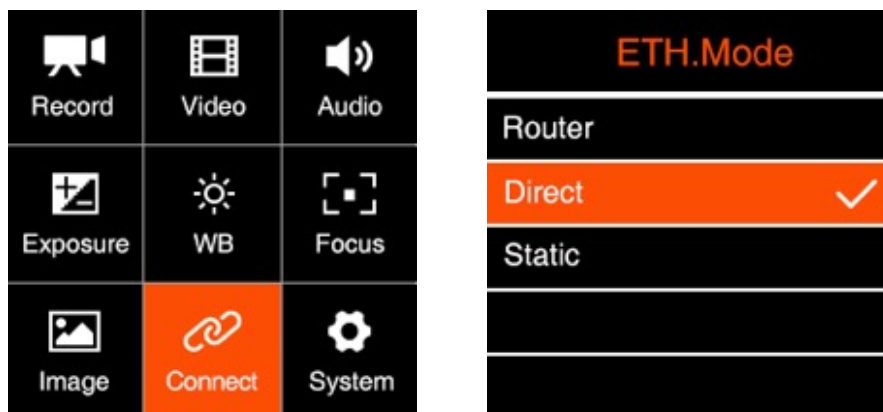
5.2. Ethernet Connection

There are 2 options to connect the camera to a computer through Ethernet: **Direct Connection** or **Connection through a Router**:

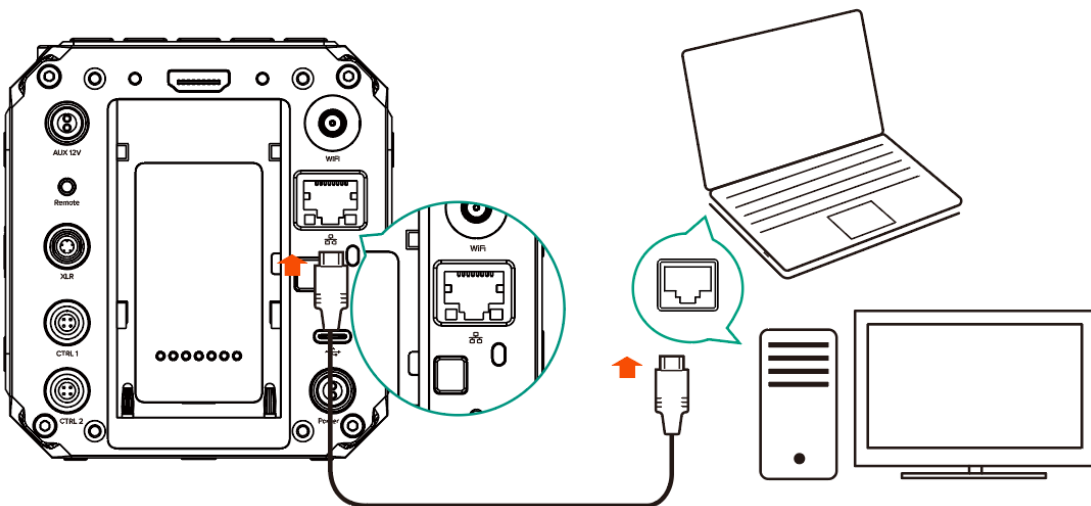
Direct connection

Follow the steps below to set up direct Ethernet connection between the camera and the computer:

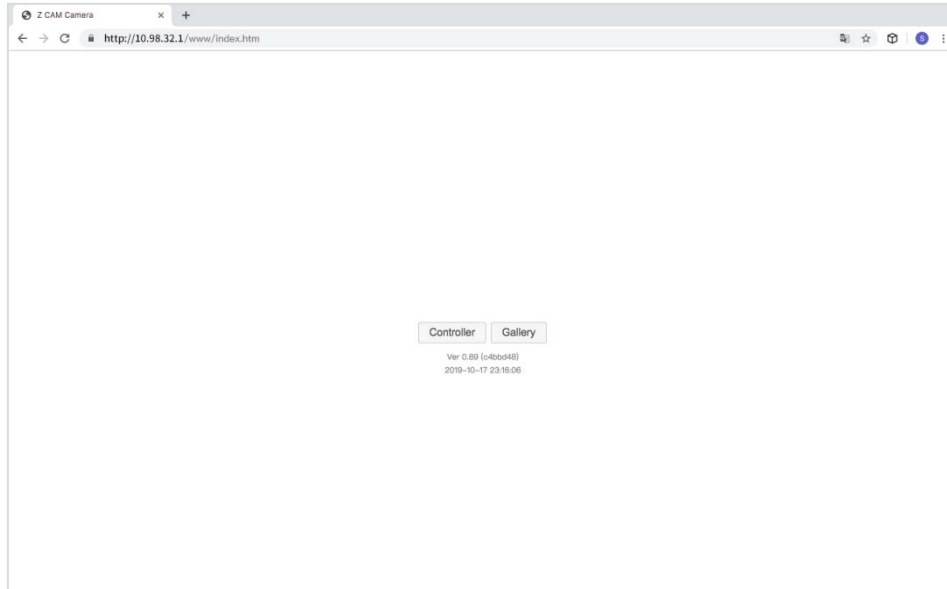
1. Set the **Network-ETH. Mode** to “Direct” in **Connect-Network** setting (default).



2. Connect the camera to a computer with an Ethernet cable.



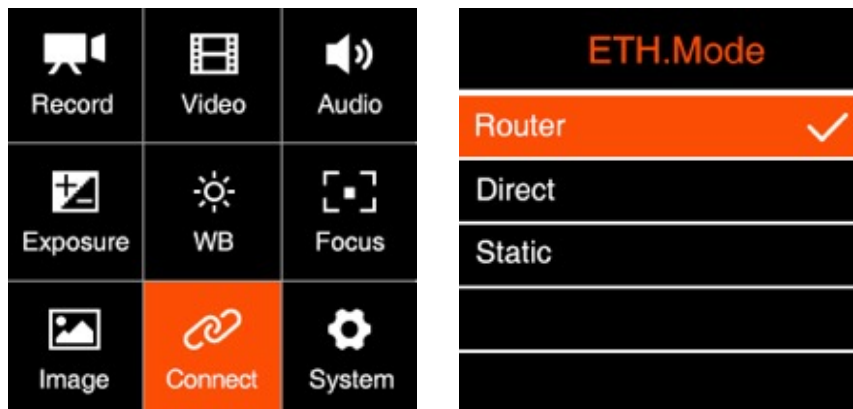
3. Open a browser on the PC / Mac, type in the address:
<http://10.98.32.1/www/index.html>. You will see the page below if it's connected successfully.



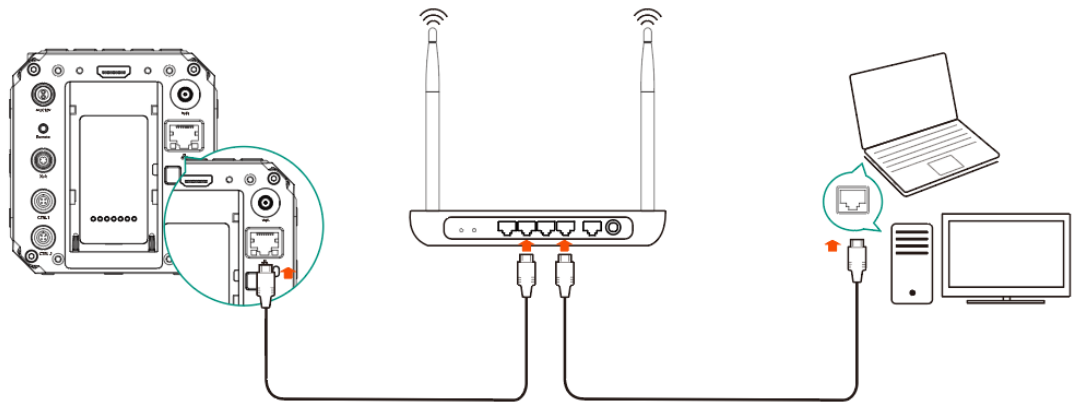
Connection through a Router

You can set up an Ethernet connection between the camera and a computer through a router with following steps:

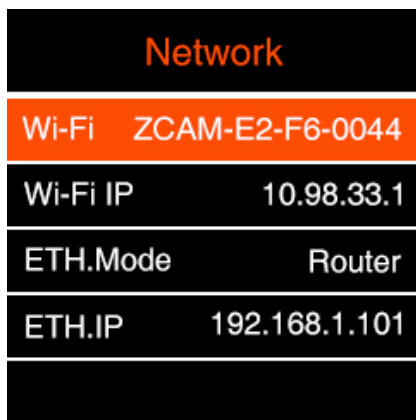
1. Set the **Network-ETH. Mode** to “Router” in **Connect-Network** setting (2.10 **Connect – Network-ETH. mode**)



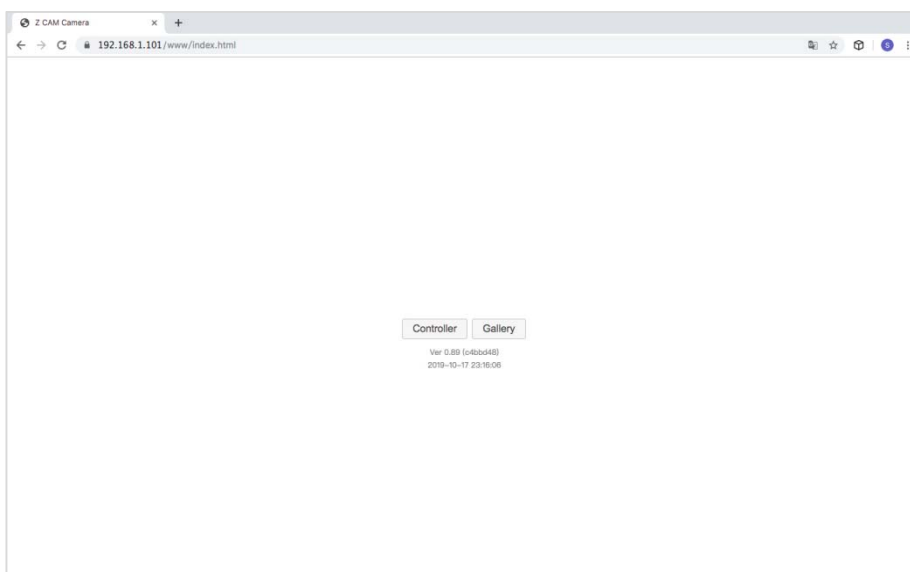
2. Connect the camera to a router with an Ethernet cable, then connect the router to the computer with Ethernet cable or Wi-Fi. (Note: Camera and PC should connect to the LAN port of router, not WAN port)



3. Check the **Connect – Network** setting, and there will show the IP address of the camera on **ETH.IP** item (e.g. 192.168.1.101) if the connection is OK.



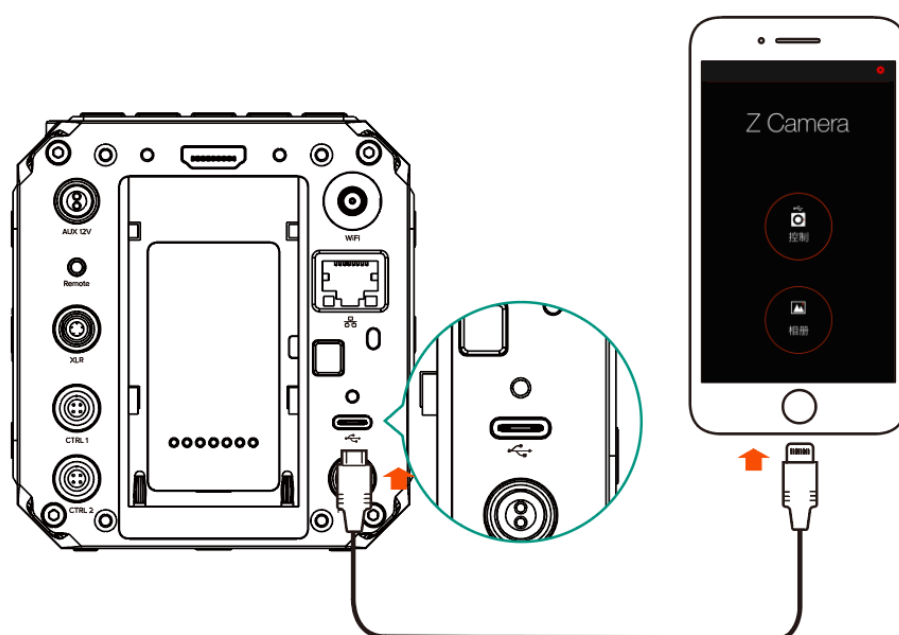
4. Open a browser on the PC / Mac, type in the address: <http://192.168.1.101/www/index.html> (192.168.1.101 is the IP address example on step 3 above, please use the actual IP address of the camera. You will see the page below if it's connected successfully).



6. Using Z Camera App

Download and install the **Z Camera** App from App Store to your device (smart phone or tablet), then you can use this device to live view and control the camera including start / stop recording and most of the settings, with following steps

- Install App: Search "Z Camera" in App Store to download and install it.
- Connect to camera: Connect the device to the camera with an USB Type C to Lightning cable as below, or through Wi-Fi.
- Wi-Fi connection refer to the section 5.1. The steps of USB connection are as follows:
 1. Connect the device to the camera via USB cable



2. If it's the 1st time to connect the device to the camera, there will be a pop-up message on your device "Trust this device?", click "Yes" and it will ask you to input password, which is the password to unlock your iOS device.
3. Open **Z Camera** App, if the camera is connected successfully, the "Control" icon will be activated (it's gray color if there is no connection) and there will be a small USB or Wi-Fi icon on (depends the connection method you use). Click the "Control" icon and you will come into the live-view and control panel.



Details about the Z Camera app will be added in the future update of the document.

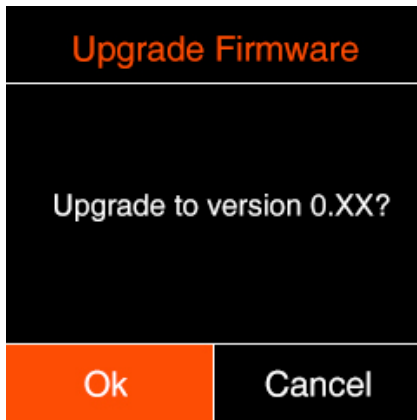
In the App, you can monitor and play back the video of the camera in real time, and set camera parameters through the menu.

7. Firmware Upgrade

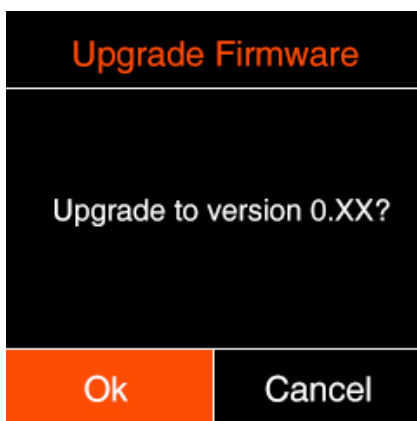
Follow the steps below to upgrade the firmware of the camera:

1. Download the latest version of firmware (**E2_FX_FW_0.93.zip**) for Z CAM E2 from Z CAM's website: <http://www.z-cam.com/e2/updates/>
2. Put the firmware file to the root directory of the CFast card (**DO NOT unzip it!**).
3. Insert the CFast card to the camera and power it on.

If the firmware version of file in the card is higher than the camera's one, there will be a pop-up message for firmware upgrade. Select "OK" and press **OK** button, the camera will upgrade the firmware* and restart the camera after it's finished.



4. If the version of the firmware file in CFast card is the same as or lower than the camera's one (to refresh or downgrade the firmware), there will be no pop-up message when the camera is powered on. Go to **Version** in **System** setting, press **OK** button and you will see the pop-up message for firmware update. Select "OK" and press **OK** button to update the firmware*.



* Please make sure the camera will not power off during the firmware upgrade / update process.

8. Camera Maintenance

- As the camera is a precise instrument, please do not flop it or let it suffer physical strike.
- As the camera is a non-waterproof of camera, please do not use it in water or a humid environment.

- If water accidentally invades the camera, please shut it down, take off the battery (if any) and the memory card, and make the camera dry within 24 hours.
- As the camera's heating range is 0-40°C, please do not place or use the camera in an environment where the temperature is lower than 0°C or higher than 40°C.
- Please do not let the camera and the already installed lens face the sun.
- Please do not touch the image sensor while removing the lens.
- Please do not blow off any dust on the sensor with a dust blower.
- Please do not use any detergent containing organic solvent to clean the camera body and the lens.
- Please use soft lens cloth to clean the camera body regularly.
- Please do not disassemble the camera by yourself.
- Please do not place the camera in a darkroom, a lab or other places where corrosive chemicals are stored.

Adaptor information :

Adaptor	Brand Name: MASS POWER
	Model No.: NBS65A120500M2
	Input:100-240V, 1.5A, 50/60Hz
	Output:12V, 5A

Operating Frequency Range&Power:

- 5.15~5.25GHz,5.725~5.85GHz
- 5.15~5.25GHz, only for indoor use

	AT	BE	BG	HR	CY	CZ	DK
	EE	FI	FR	DE	EL	HU	IE
	IT	LV	LT	LU	MT	NL	PL
	PT	RO	SK	SI	ES	SE	UK

Max Transmitter Power: 13.79dBm

This product can be used across EU member states.

RF exposure information: The Maximum Permissible Exposure (MPE) level has been calculated based on a distance of d=20 cm between the device and the human body. To maintain compliance with RF exposure requirement, use product that maintain a 20cm distance between the device and human body. After evaluation,It satisfy RF exposure compliance.

EU Regulatory Conformance

Hereby, **Shenzhen ImagineVision Technology Limited** declares that this device is in compliance with the essential requirements and other relevant provisions of Directive 2014/53/EU. For the declaration of conformity, visit the Web site www.z-cam.com



FCC statements:

This device complies with part 15 of the FCC rules. Operation is subject to the following two conditions:

- (1) this device may not cause harmful interference, and
- (2) this device must accept any interference received, including interference that may cause undesired operation.

NOTE: The manufacturer is not responsible for any radio or TV interference caused by unauthorized modifications or changes to this equipment. Such modifications or changes could void the user's authority to operate the equipment.

NOTE: This equipment has been tested and found to comply with the limits for a Class B digital device, pursuant to part 15 of the FCC Rules. These limits are designed to provide reasonable protection against harmful interference in a residential installation. This equipment generates uses and can radiate radio frequency energy and, if not installed and used in accordance with the instructions, may cause harmful interference to radio communications. However, there is no guarantee that interference will not occur in a particular installation. If this equipment does cause harmful interference to radio or television reception, which can be determined by turning the equipment off and on, the user is encouraged to try to correct the interference by one or more of the following measures:

- Reorient or relocate the receiving antenna.
- Increase the separation between the equipment and receiver.
- Connect the equipment into an outlet on a circuit different from that to which the receiver is connected.
- Consult the dealer or an experienced radio/TV technician for help.

FCC ID: 2AENNE2F

Disclaimer: All product features and technical specifications stated above are subjected to Z CAM's sole interpretation and explanation.