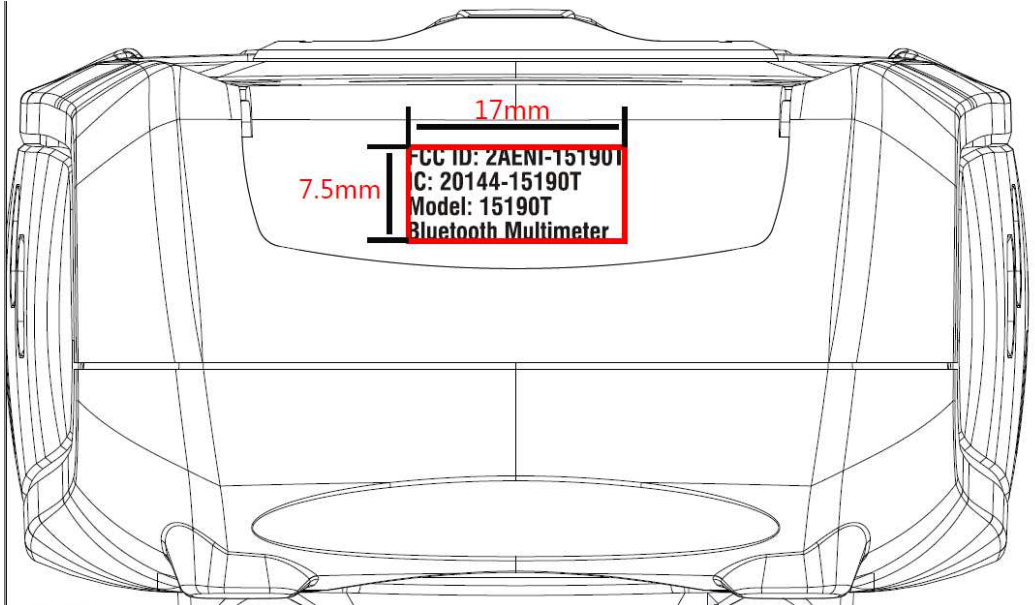




label location

FCC ID:2AENI-15190T  
IC:20144-15190T  
Model:15190T  
Bluetooth Multimeter



Size: 17mm x 7.5mm

The label is screenprinted on the product.