

# Antenna specification

ZHONGSHAN BAOYUEJIA ELECTRONICS CO LTD

No.52.2, INDUSTRY ROAD, XIAOLAN TOWN,  
ZHONGSHAN, GUANGDONG

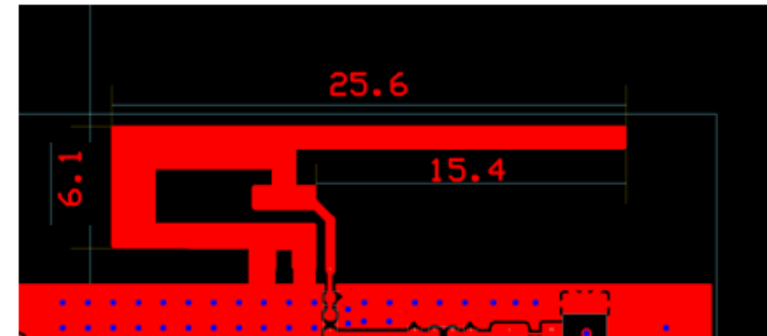
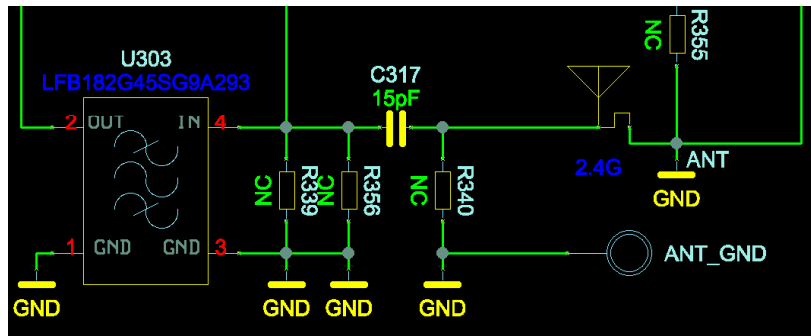
Revision	Date	Author	Change Description	Approved By
01A	2022-1-19	Lanbo Lan	Initial draft	

## Table of Contents

- 1. Antenna type and gain
- 2. Antenna VSWR.

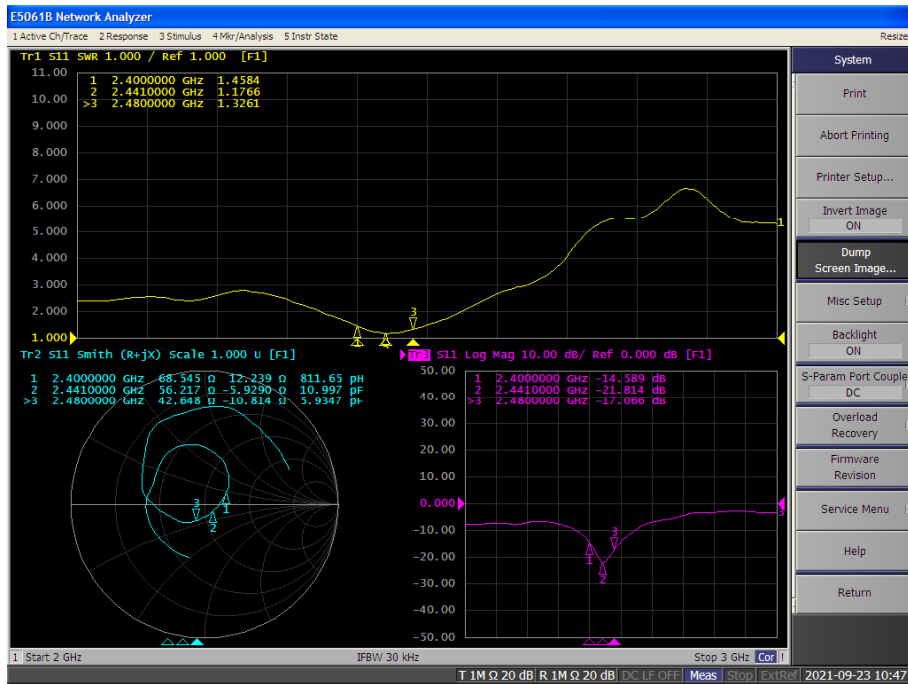
# 1.Type , sizes , material and Antenna Gain

Unit: mm



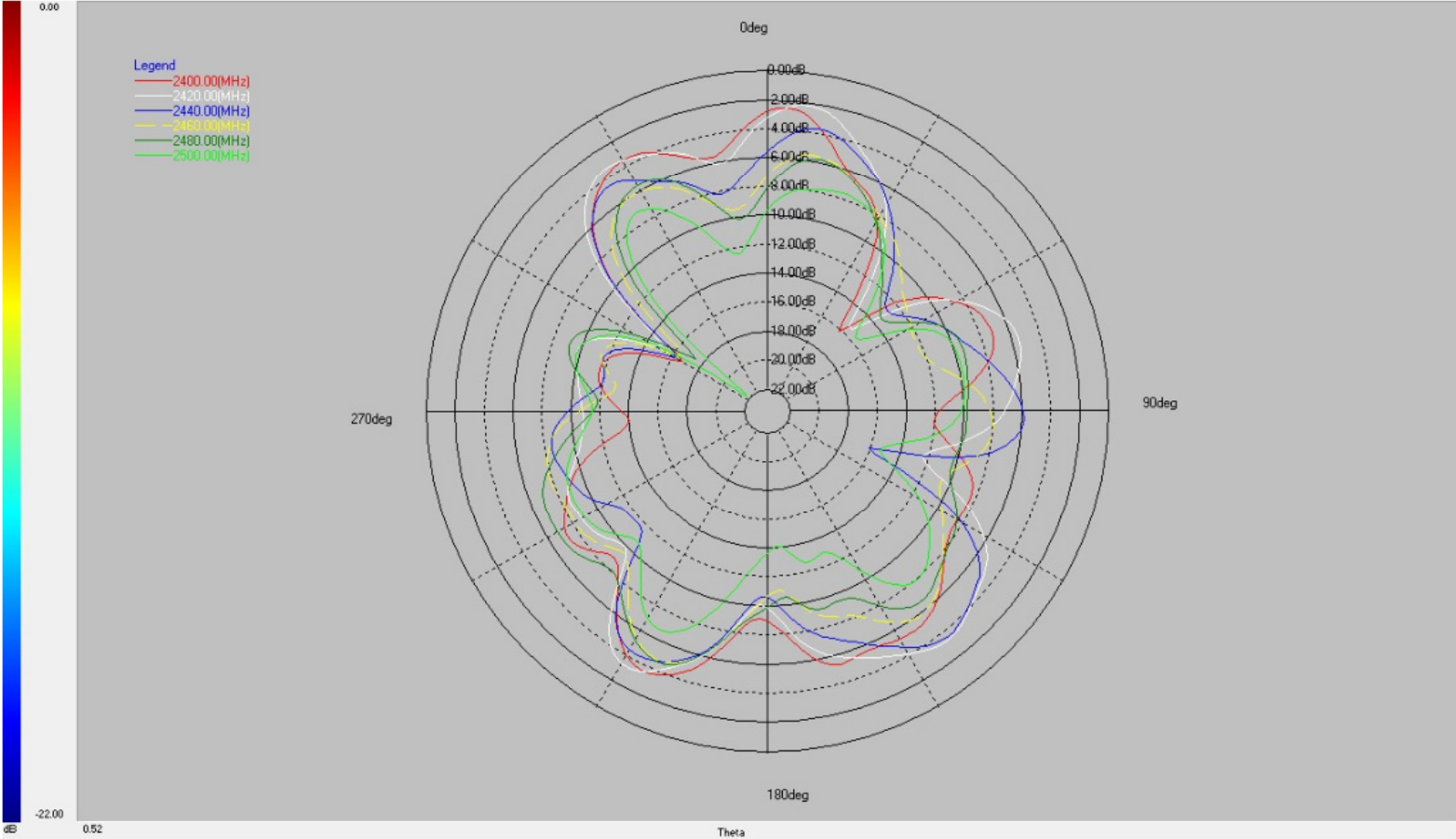
ANT Model: 2.45GHz BT ANT  
ANT Type: IFA PCB ANT  
ANT Gain: -1.8dBi  
ANT Frequency: 2400-2500MHz

## 2. Antenna VSWR , return lose test and TX power table



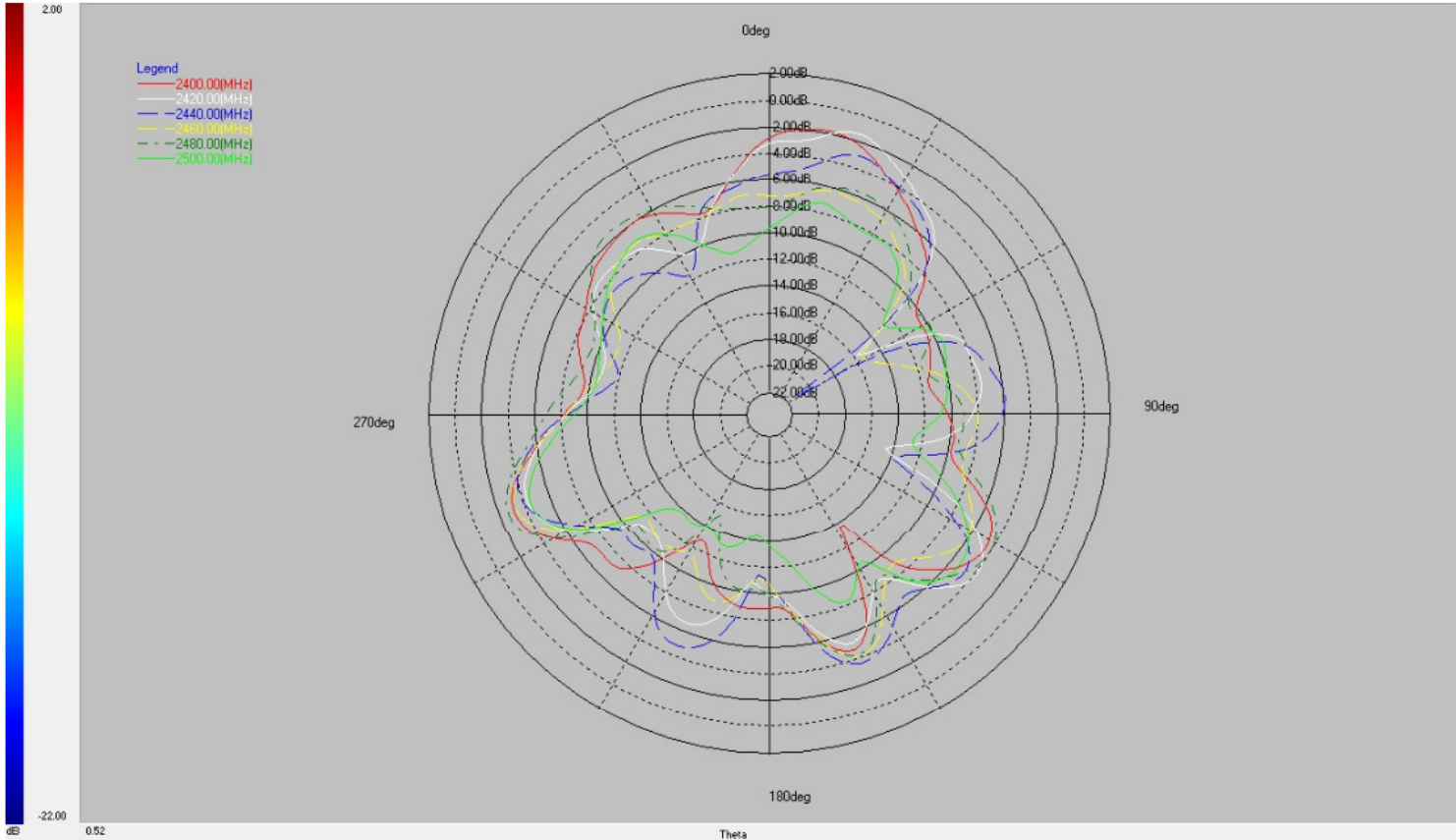
	BT	
TX Power (Direct connectinon)	2.5 dBm	

### 3. Antenna pattern Phi=0



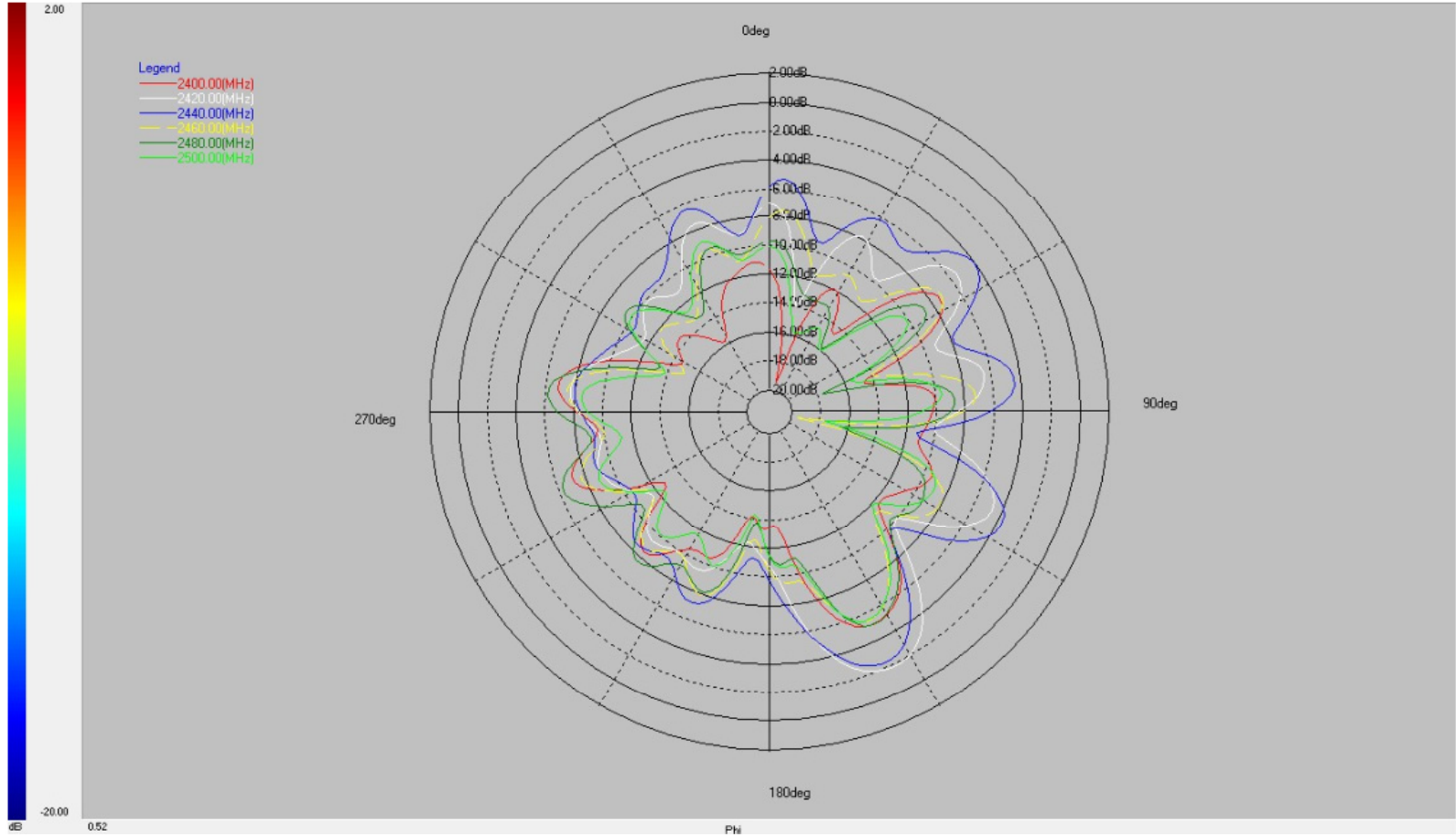
Phi=0

### 3. Antenna pattern Phi=90



Phi=90

### 3. Antenna pattern Theta=90



Theta=90