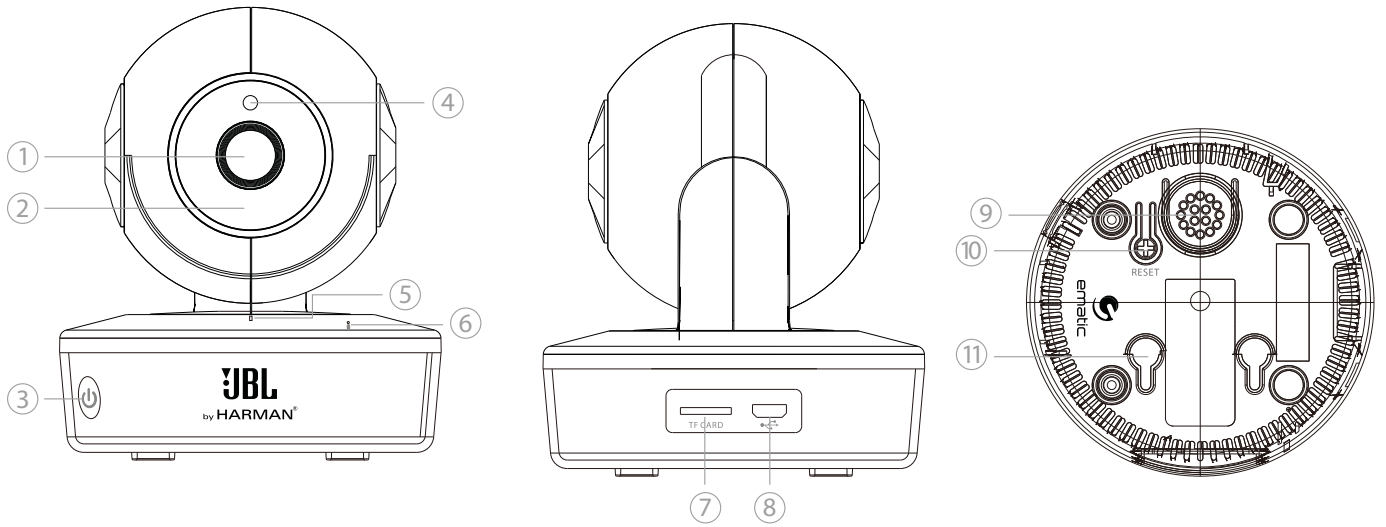


1/ Function introduction



① 720 Pcamera

④ light sensor

⑦ SD card slot, maximum support 32GB

⑩ Reset bottom

② infrared lamp

⑤ indication light for on/off

⑧ USB charger port with 5V 2A

⑪ Wall mount

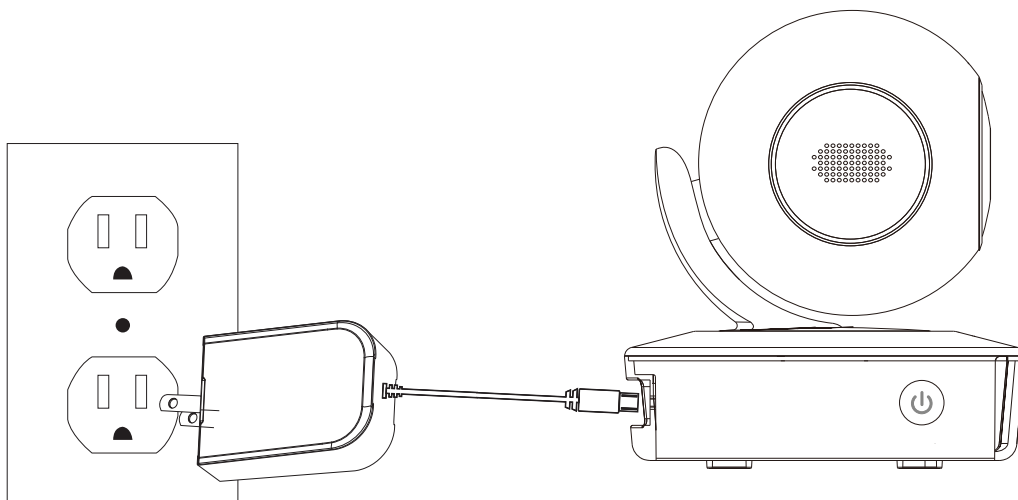
③ on/off key

⑥ Microphone

⑨ Speaker

2/ Set up indtroduction

1. plug the camera with camera charger

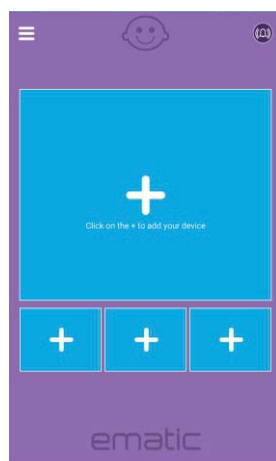


2. turn on the device, the camera system will self checking untill announce "ready for connection"

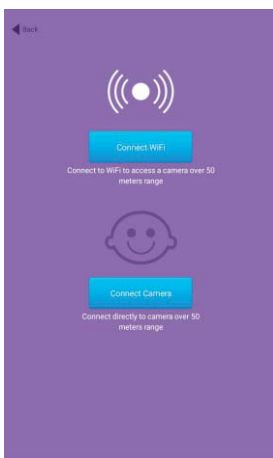
3. Turn on Parent Unit Chose "Nuecare" App and log in



4. add a camera by click "+"

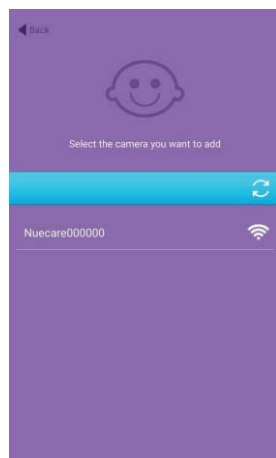


5.1 WiFi Connection



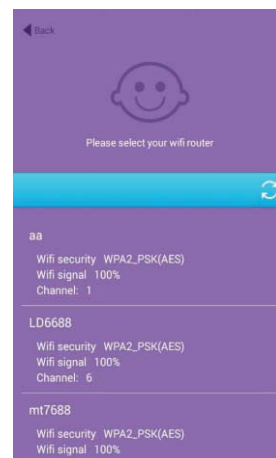
①

Chose WiFi connection



②

Refresh option to connect camera wifi



③

After WiFi connection, choose local WiFi router network



④

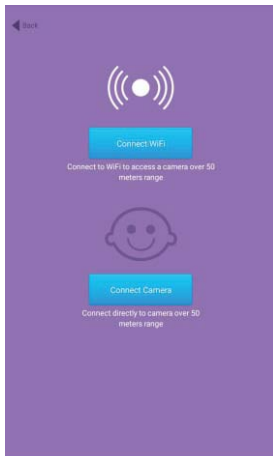
Put WiFi router password



⑤

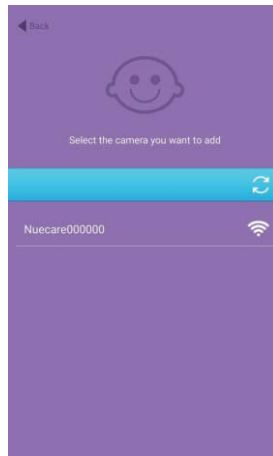
The connection is successful

5.2 Direct connection



①

Connect camera



③

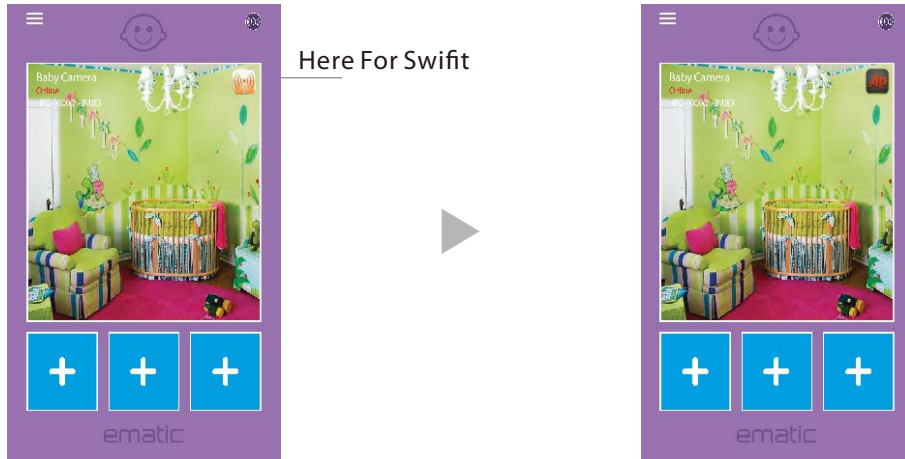
Connecting



④

Refresh option to connect camera WiFi

5.3 2.4G and WiFi Swift



5.4 Monitor delete and name modification



- ① Long press the view window to delete camera and modify
- ② Change the camera name

6.Function diagram



- ① Up and down rotating
- ② Left and right rotating
- ③ Brightness control
- ④ Contrast
- ⑤ Refresh rate
- ⑥ Picture quality
- ⑦ Screen rotation
- ⑧ Music playback
- ⑨ Take photos
- ⑩ Video recording
- ⑪ Mute
- ⑫ Night mode
- ⑬ Return
- ⑭ ⑮ Turn to the right or left

3/ Camera Features

- WiFi connectivity
- Dual mode operation, linking video to parent unit via WIFI 2.4GHz and to Miyi server via WiFi
- Motorized 180° Pan/Tilt/Zoom
- 720P solution / H.264 video compression
- Two-Way Communications
- Infrared Night Vision
- Motion triggered recording
- Easy Installation
- Works with Nuecare app

Federal Communications Commission (FCC) Statement

This device complies with part 15 of the FCC Rules. Operation is subject to the following two conditions: (1) This device may not cause harmful interference, and (2) this device must accept any interference received, including interference that may cause undesired operation.

Note: This equipment has been tested and found to comply with the limits for a Class B digital device, pursuant to part 15 of the FCC Rules. These limits are designed to provide reasonable protection against harmful interference in a residential installation. This equipment generates, uses and can radiate radio frequency energy and, if not installed and used in accordance with the instructions, may cause harmful interference to radio communications. However, there is no guarantee that interference will not occur in a particular installation. If this equipment does cause harmful interference to radio or television reception, which can be determined by turning the equipment off and on, the user is encouraged to try to correct the interference by one or more of the following measures:

- Reorient or relocate the receiving antenna.
- Increase the separation between the equipment and receiver.
- Connect the equipment into an outlet on a circuit different from that to which the receiver is connected.
- Consult the dealer or an experienced radio/TV technician for help.

Warning: Changes or modifications made to this device not expressly approved by Huafun International (China) Development Co., Ltd. may void the FCC authorization to operate this device.

Note: The manufacturer is not responsible for any radio or TV interference caused by unauthorized modifications to this equipment. Such modifications could void the user's authority to operate the equipment.

The distance between user and products should be no less than 20cm