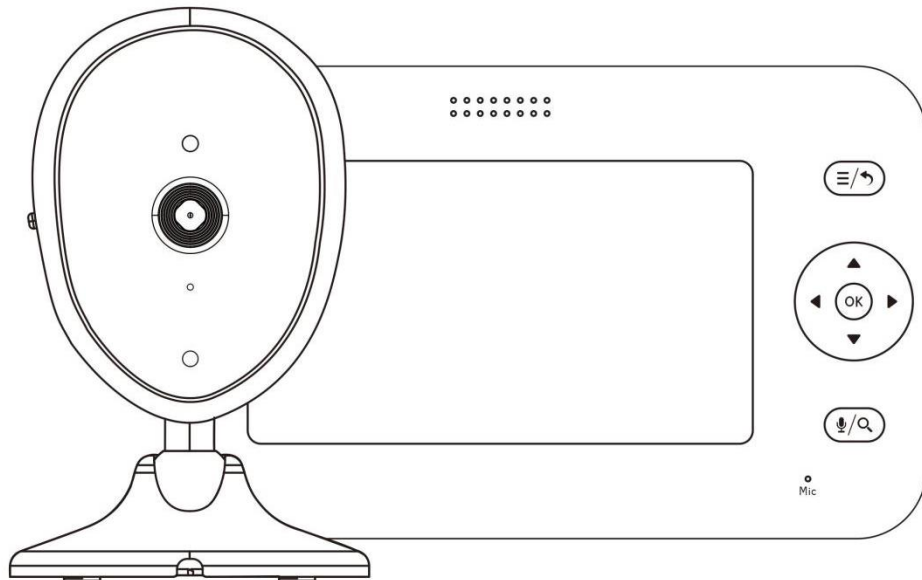


# BABY MONITOR

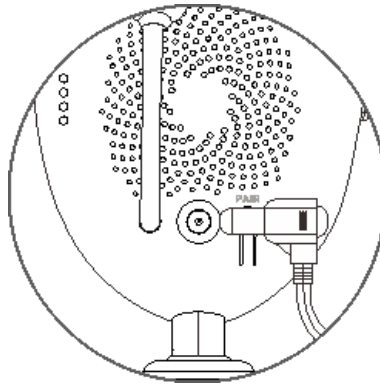
DC405



QUICK START GUIDE

## 1.Setting up your Video Baby Monitor

### 1.1. Connecting the power adapter for the baby unit

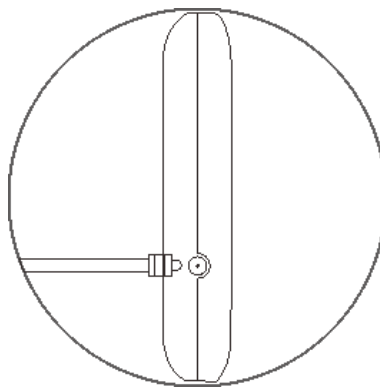



- . Connect the small plug of the adapter to the Baby Unit and the other end to the power socket
- . Only use the enclosed adapter

## WARNING

Strangulation Hazard: Children have STRANGLED in cords. Keep this cord out of the reach of the children ( more than 1 metre away).

### 1.2. Connecting the power adapter for the Parent Unit if PU is in low battery status.



- . Connect the small plug of the adapter to the Parent Unit and the other end to the power socket
- .Only use the enclosed adapter.
- .Recommended charging time of at least 16 hours before first use.
- .Press and hold the POWER button  on the parent unit to turn it ON.

## Basic operation of the keys

<b>PARENT UNIT</b>		
	ON/OFF BUTTON	Switch ON/OFF – Press Hold 3 seconds Screen Sleep/Wake – Quick Press One time
	MANU BUTTONS	Press to access different menu options
	BACK KEY	Press to back to previous directory
	UP/DOWN BUTTON	Video brightness "+" & "-"
	LEFT/RIGHT BUTTON	Navigation key
OK	OK BUTTON	Press to confirm a selection
	TALK BUTTON	Press Hold to talk
	ZOOM BUTTON	Press to digital zoom
		Press to adjust volume level
<b>BABY UNIT</b>		
OFF	ON/OFF button	Press and hold to switch the Baby Unit ON/OFF
 PAIR	PAIR button	Press and hold to pair to the Parent Unit

## 2. MENU options and Functions

### Camera

Press MENU button--- Select Camera icon---press" OK" button---Press add camera (it support add 4 camera at most) ---press OK button---then press camera " Pair" button to pair within 30 seconds.





## View

Press MENU button---Select View icon--press " OK" button---then you can choose camera 1/ camera 2/ camera 3/camera 4 or scan this 4 cameras to view.





## Lullabies

Press MENU button---Select Lullabies icon--press " OK" button---then you can choose lullaby to play from lullabies list. It will automatically single cycle once you chose one of lullaby; If chose All, it will automatically repeat all lullabies list.What's more, user can press VOL +, - button to adjust lullaby volume in this interface.



## Feeding Timer

Press MENU button---Select Feeding Timer icon--press" OK" button--then you can choose the time to remind for feeding kids.----after selected, count down bar will appear in video view interface--- when up to predefined time, monitor will alarm for 5 seconds.



## Sound Detetion

By this function selected to High/Middle/low for sensitivity level, user can hear alarm once any abnormal sound or noise happened.





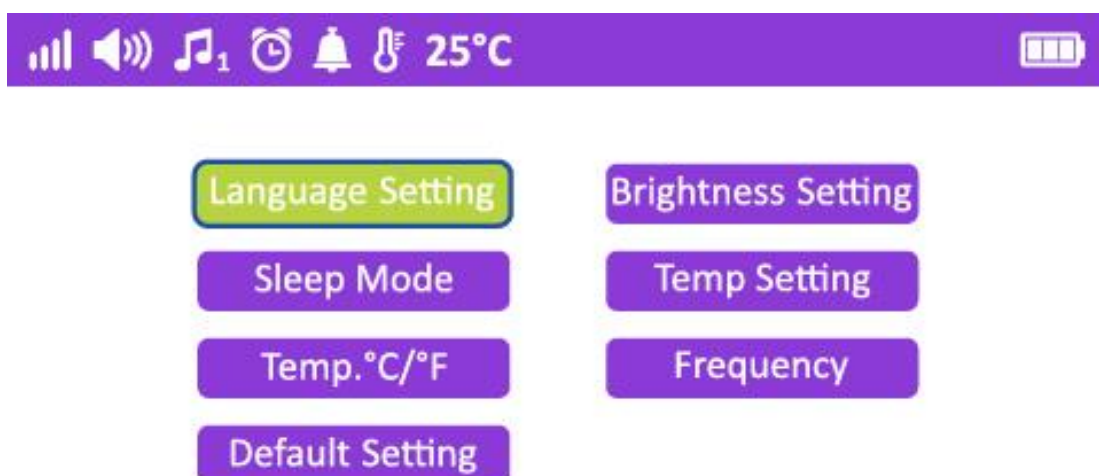
- High
- Middle
- Low
- OFF

### 3.Setting



#### 3.1 Language Setting

User can select the language to display in the settings menu.





- English
- German

### 3.2 Brightness Setting

You can select the brightness level in the settings menu.



- Language Setting
- Brightness Setting
- Sleep Mode
- Temp Setting
- Temp.°C/°F
- Frequency
- Default Setting



### 3.3 Sleep mode

By turning this function ON, the monitor will enter into power saving mode automatically after you chose 5 Mins, 30 Mins or 60 Mins. When sleep mode is activated, the display will turn off but audio will still be available. The screen will be in sleep mode and will only wake by briefly pressing the power button.



- |                   |                    |
|-------------------|--------------------|
| Language Setting  | Brightness Setting |
| <b>Sleep Mode</b> | Temp Setting       |
| Temp. °C/°F       | Frequency          |
| Default Setting   |                    |



- 5 Mins
- 30 Mins
- 60 Mins
- OFF

### 3.4 High-low Temperature alarm setting

User can adjust the highest and lowest temperature limitation data, when room temperature exceeds the limitation setting, monitor will alarm automatically.



- Language Setting
- Brightness Setting
- Sleep Mode
- Temp Setting
- Temp. °C/°F
- Frequency
- Default Setting



Low Temperature **25** °C

High Temperature **35** °C

OFF

ON

Limited in 0°C at lowest temperature and 40°C an highest temperature.

### 3.5 Temperature °C/°F switch

User can switch between °C&°F easily by accessing the Temp °C/°F setting.



Language Setting

Brightness Setting

Sleep Mode

Temp Setting

Temp.°C/°F

Frequency

Default Setting



### 3.6 Frequency

User can switch between 60Hz&50Hz in the Frequency setting.





60Hz

50Hz

### 3.7 Default Setting

User can delete all cameras and settings history by selecting this function.



Language Setting

Brightness Setting

Sleep Mode

Temp Setting

Temp. °C/°F

Frequency

Default Setting





Caution: After default setting, you have to re-pair the camera before next use.

OFF

ON

## FCC Statement

This device complies with Part 15 of the FCC rules. Operation is subject to the following two conditions: 1) this device may not cause harmful interference, and 2) this device must accept any interference received, including interference that may cause undesired operation.

Note: This equipment has been tested and found to comply with the limits for a Class B digital device, pursuant to part 15 of the FCC Rules. These limits are designed to provide reasonable protection against harmful interference in a residential installation. This equipment generates uses and can radiate radio frequency energy and, if not installed and used in accordance with the instructions, may cause harmful interference to radio communications. However, there is no guarantee that interference will not occur in particular installation. If this equipment does cause harmful interference to radio or television reception, which can be determined by turning the equipment off and on, the user is encouraged to try to correct the interference by one or more of the following measures:

- Reorient or relocate the receiving antenna.
- Increase the separation between the equipment and receiver.
- Connect the equipment into an outlet on a circuit different from that to which the receiver is connected.
- Consult the dealer or an experienced radio/TV technician for help.

Changes or modifications not expressly approved by the party responsible for compliance could void the user's authority to operate the equipment.

## Radiation Exposure Statement

This device complies with RF radiation exposure limits set forth for an uncontrolled environment. This transmitter must not be co-located or operating in conjunction with any other antenna or transmitter.

This device must operate with a minimum distance of 20 cm between the radiator and user body.