

E404X Datasheet

Preliminary pre-release version 2022-05-06

This is an preliminary pre-release datasheet and the contents are subject to change.

Functional description

Overview

The E404X is a LTE Cat M1 cellular device with support for BLE (Bluetooth LE). It is based on the Nordic nRF52840 microcontroller shared with other Gen 3 devices such as the Boron and B Series SoM. It is only intended for use in the United States, Canada, and Mexico.

It is a SMD module designed to be reflowed to your own custom base board and is the same size and has a nearly identical pin-out to the E Series module.

If you are migrating from the E402 or E404, there is a [migration guide](#) available.

There will not be 2G/3G "X" version E Series; there will not be an E310X or E314X.

New designs should use the B404X (B Series SoM) instead of the E404X.

Features

- u-blox SARA-R510S-01B LTE modem
 - LTE Cat M1 module
 - Support for United States, Canada, and Mexico only
 - 3GPP Release 14 LTE Cat M1
 - Cat M1 bands: 1, 2, 3, 4, 5, 8, 12, 13, 18, 19, 20, 25, 26, 28, 66, 71, 85¹
 - Embedded Particle EtherSIM
 - Nordic Semiconductor nRF52840 SoC
 - ARM Cortex-M4F 32-bit processor @ 64MHz

- 1MB flash, 256KB RAM
- Bluetooth 5: 2 Mbps, 1 Mbps, 500 Kbps, 125 Kbps
- Supports DSP instructions, HW accelerated Floating Point Unit (FPU) and encryption functions
- Up to +8 dBm TX power (down to -20 dBm in 4 dB steps)
- On-module additional 4MB SPI flash
- 24 mixed signal GPIO (8 x Analog, 4 x PWM), UART, I2C, SPI
- USB 2.0 full speed (12 Mbps)
- Included PMIC and Fuel Gauge for easy use in battery-powered applications
- JTAG (SWD) pins
- RGB status pins for LED
- Reset and Mode pins for buttons
- On-module MFF2 Particle SIM
- Two on-module U.FL connectors for external antennas
- FCC and PTCRB certified
- RoHS compliant (lead-free)
- Requires Device OS 4.0.0 LTS (or later)

¹ Not all bands enabled in software by default

Interfaces

This diagram for illustration only and is subject to change

Power

The E series can be powered via the VIN (3.88V-12VDC) pin, over USB, or a LiPo battery.

VIN

The input voltage range on VIN pin is 3.88VDC to 12VDC. When powering from the VIN pin alone, make sure that the power supply is rated at 10W (for example 5 VDC at 2 Amp). If the power source

is unable to meet this requirement, you'll need connect the LiPo battery as well. An additional bulk capacitance of 470uF to 1000uF should be added to the VIN input when the LiPo Battery is disconnected. The amount of capacitance required will depend on the ability of the power supply to deliver peak currents to the cellular modem.

The E404X can be powered with as little as 550 mA at 5V.

LiPo

This pin serves two purposes. You can use this pin to connect a LiPo battery directly without having to use a JST connector or it can be used to connect an external DC power source (and this is where one needs to take extra precautions). When powering it from an external regulated DC source, the recommended input voltage range on this pin is between 3.6V to 4.4VDC. Make sure that the supply can handle currents of at least 3Amp. This is the most efficient way of powering the E series since the PMIC by-passes the regulator and supplies power to the E series module via an internal FET leading to lower quiescent current.

When powered from a LiPo battery alone, the power management IC switches off the internal regulator and supplies power to the system directly from the battery. This reduces the conduction losses and maximizes battery run time. The battery provided with the E series module is a Lithium-Ion Polymer battery rated at 3.7VDC 1,800mAh. You can substitute this battery with another 3.7V LiPo with higher current rating. Remember to never exceed this voltage rating and always pay attention to the polarity of the connector.

Typical current consumption is around 180mA and up to 1.8A transients at 5VDC. In deep sleep mode, the quiescent current is 130uA (powered from the battery alone).

VBUS

This pin is internally connected to USB supply rail and will output 5V when the E series module is plugged into an USB port. It is intentionally left unpopulated. This pin will *NOT* output any voltage when the E series module is powered via VIN and/or the LiPo battery.

Most USB ports can supply only a maximum of 500mA, but the u-Blox GSM module on the E series alone can consume a peak of 800mA to 1800mA (2G/3G) or 550 mA (LTE Cat M1) of current during transmission. In order to compensate of this deficit, one must connect the LiPo battery at all times when powering from a traditional USB port for 2G/3G. The E series will intelligently source power from the USB most of the time and keep the battery charged. During peak current requirements, the additional power will be sourced from the battery. This reduces the charge-discharge cycle load on the battery, thus improving its longevity.

3V3 Pin

This pin is the output of the on-board 3.3V switching regulator that powers the microcontroller and the peripherals. This pin can be used as a 3.3V power source with a max load of 800mA. Unlike the Photon or the Core, this pin *CANNOT* be used as an input to power the E series module.

VBAT

This is the supply to the internal RTC, backup registers and SRAM. You can connect a backup battery to it (1.65 to 3.6VDC), if you wish to retain RTC/RAM when 3V3 is absent or simply tie it up to 3V3.

PMID

This pin in subject to change depending on the PMIC that is selected for the E404X.

This pin is the output of the internal boost regulator of the PMIC that can source 5.1VDC from the battery in OTG (On The Go) mode. This feature is useful when your circuitry needs a 5V source from the E series module when powered by the battery alone.

The confusing bit about this pin is that it will continue to provide 5.1VDC but only when the input voltage (VIN) is between 3.6V to 5.1VDC. As soon as the input voltage exceeds this limit, the PMID starts tracking *that* voltage. For example if VIN = 9VDC, the PMID will be 9VDC and *NOT* 5.1VDC. So you need to be careful when using it as a source for powering your external circuitry. The max current draw on this pin is 2.1A but is not recommended due to thermal limitations of the circuit board.

FCC approved antennas

Antenna	SKU	Details	Links
Wide band LTE-CAT M1 cell antenna, [x1]	PARANTC41EA	B404X, BRN404X, and E404X	Datasheet
Wide band LTE-CAT M1 cell antenna, [x50]	PARANTC41TY	B404X, BRN404X, and E404X	Datasheet

Bluetooth LE (BLE)

The E404X does not have a BLE chip antenna on the module and requires an external antenna if BLE is to be used. Using BLE on the E404X is optional, and the antenna is not required if BLE is not used.

The Particle 2.4 GHz BLE antenna is available in the [retail](#) and wholesale stores. Note: The same external antenna model is used for Wi-Fi and BLE.

Antenna	SKU	Links
Particle Wi-Fi Antenna 2.4GHz, [x1]	ANT-FLXV2	Datasheet Retail Store
Particle Wi-Fi Antenna 2.4GHz, [x50]	ANT-FLXV2-50	Datasheet

General Antenna Guidance

- The antenna placement needs to follow some basic rules, as any antenna is sensitive to its environment. Mount the antenna at least 10mm from metal components or surfaces, ideally 20mm for best radiation efficiency, and try to maintain a minimum of three directions free from obstructions to be able to operate effectively.
- Needs tuning with actual product enclosure and all components.
- For the BLE antenna, it is recommended to use a 2.4 GHz single-frequency antenna and not a 2.4 GHz + 5 GHz antenna, so as to avoid large gain at the frequency twice of 2.4 GHz which can cause the second harmonic radiation of 2.4 GHz to exceed standards.

Peripherals and GPIO

Peripheral Type	Qty	Input(I) / Output(O)
Digital	22 (max)	I/O
Analog (ADC)	8 (max)	I
UART	1	I/O
SPI	2	I/O
I2C	1	I/O
USB	1	I/O
PWM	13 (max)	O

GPIO

- GPIO is limited to 3.3V maximum (not 5V tolerant)
- If an alternate port such as SPI or Serial is not being used for that purpose, the pins can generally be used as GPIO

Pin	E404X Pin Name	E404X GPIO
16	TX	✓
17	RX	✓
19	A7 / WKP	✓

Pin	E404X Pin Name	E404X GPIO
20	A6	✓
21	A5	✓
22	A4	✓
23	A3	✓
24	A2	✓
25	A1	✓
26	A0	✓
30	B3	✓
31	B2	✓
32	B1	✓
33	B0	✓
37	D5	✓
40	D2	✓
41	D1	✓
42	D0	✓
44	C5	✓
45	C4	✓
46	C3	✓
47	C2	✓
48	C1	✓
49	C0	✓

ADC

- ADC is limited to 3.3V maximum

Pin	E404X Pin Name	E404X ADC
19	A7 / WKP	ADC7
20	A6	ADC6
21	A5	ADC5
22	A4	ADC4
23	A3	ADC3
24	A2	ADC2
25	A1	ADC1
26	A0	ADC0

UART

- One available hardware UART (`Serial1`).
- Supported baud rates: 1200, 2400, 4800, 9600, 19200, 28800, 38400, 57600, 76800, 115200, 230400, 250000, 460800, 921600 and 1000000.

Configuration options include:

- `SERIAL_8N1` - 8 data bits, no parity, 1 stop bit (default)
- `SERIAL_8E1` - 8 data bits, even parity, 1 stop bit

Other options, including odd parity, and 7 and 9 bit modes, are not available on the E404x or Gen 3 devices.

Flow control is available on Serial1 D3(CTS) and D2(RTS). If you are not using flow control (the default), then these pins can be used as regular GPIO.

- `SERIAL_FLOW_CONTROL_NONE` - no flow control
- `SERIAL_FLOW_CONTROL_RTS` - RTS flow control
- `SERIAL_FLOW_CONTROL_CTS` - CTS flow control
- `SERIAL_FLOW_CONTROL_RTS_CTS` - RTS/CTS flow control

Pin	E404X Pin Name	E404X UART
16	TX	Serial1 (TX)
17	RX	Serial1 (RX)
41	D1	Serial1 (CTS)
42	DO	Serial1 (RTS)

SPI

- Any available GPIO can be used for SPI chip select (SS).
- Generally speaking, multiple SPI devices can share a SPI bus, however the software library must enable it using SPI transactions
- `SPI_MODE_SLAVE` is only supported on `SPI1` and is limited to 8 MHz.

Pin	E404X Pin Name	E404X SPI
21	A5	SPI (MOSI)
22	A4	SPI (MISO)

Pin	E404X Pin Name	E404X SPI
23	A3	SPI (SCK)
24	A2	SPI (SS)
37	D5	SPI1 (SS)
46	C3	SPI1 (SCK)
47	C2	SPI1 (MISO)
48	C1	SPI1 (MOSI)

I2C

There is one available I2C interface on the E404X.

Pin	E404X Pin Name	E404X I2C
41	D1	Wire (SCL)
42	D0	Wire (SDA)

PWM

Pin	E404X Pin Name	E404X PWM
16	TX	✓
17	RX	✓
20	A6	✓
21	A5	✓
22	A4	✓
23	A3	✓
30	B3	✓
31	B2	✓
40	D2	✓
41	D1	✓
42	D0	✓
44	C5	✓
45	C4	✓
49	C0	✓

On the E404X, the following groups are defined. Each group must share the same frequency and resolution, but individual pins in the group can have a different duty cycle. Group 0 is shared with the RGB LED and must use the default resolution of 8 bits (0-255) and frequency of 500 Hz, but can have its own duty cycle.

- Group 0: C5, RGBB, RGBG, RGBR
- Group 1: A3, C0, D0, D1, D2
- Group 2: B2, B3, RX, TX
- Group 3: A4, A5, A6, C4

JTAG AND SWD

The E404X has a SWD only on dedicated pins that cannot be used for GPIO.

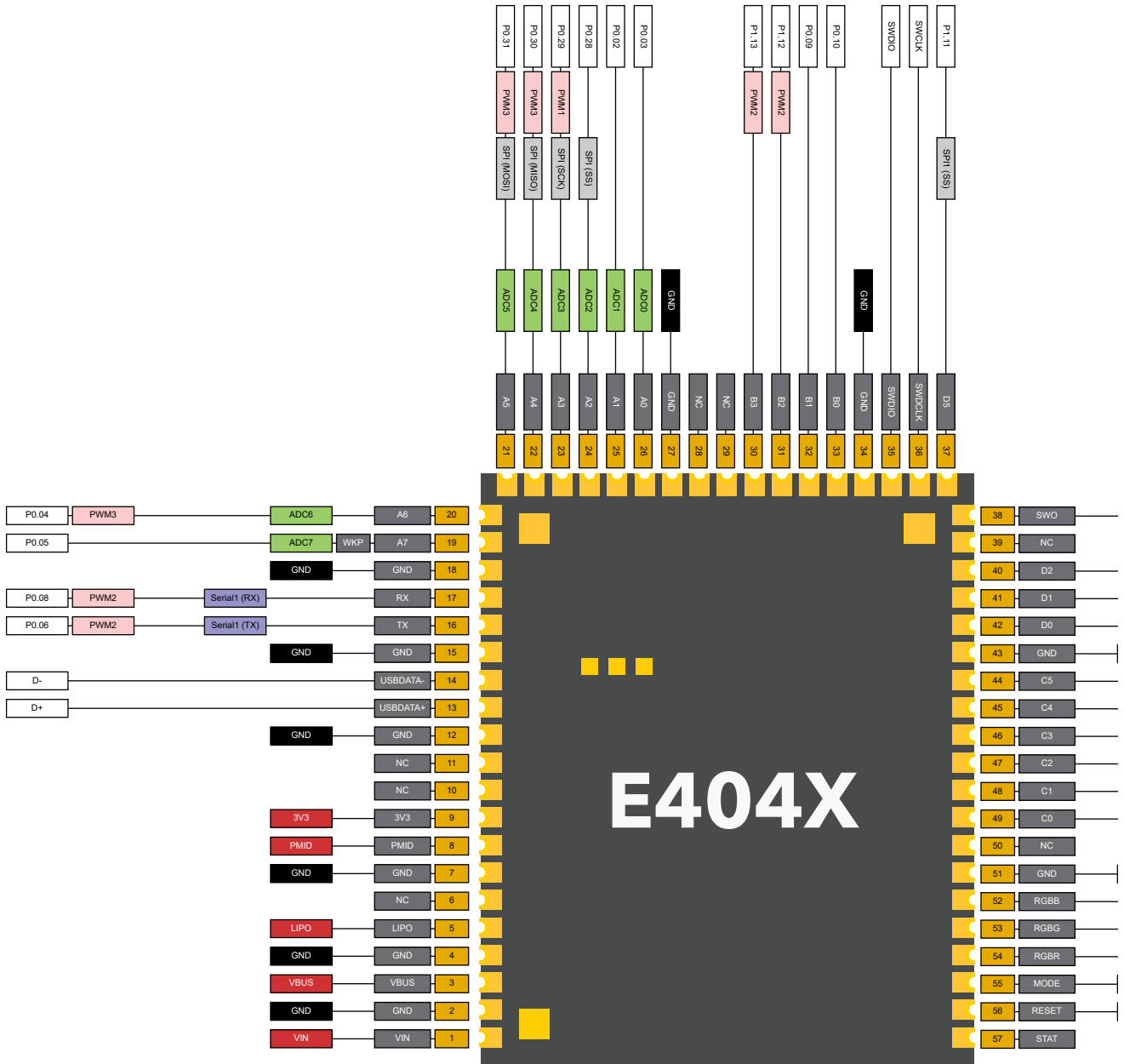
Module Pin	E Series Pin	SWD
35	D7	SWDIO
36	D6	SWCLK
38	D4	SWO
56	RESET	RESET

The nRF52840 MCU on the E404X can be programmed by:

- Particle Debugger
- Other CMSIS-DAP Debugger (DAPLink)
- Segger J/LINK

It cannot be programmed by the ST-LINK/V2.

Complete module and pin listing



Pin	Pin Name	Description	MCU
1	VIN	Power in 3.9V to 12 VDC.	
2	GND	Ground. Be sure to connect all GND pins.	
3	VBUS	Connect to VBUS power pin on the USB port	
4	GND	Ground. Be sure to connect all GND pins.	
5	LIPO	Connect to + pin on the LiPo battery, 3.6V maximum	
6	NC	Do not connect to anything	
7	GND	Ground. Be sure to connect all GND pins.	
8	PMID	Connected to the PMID pin of the PMIC (may change)	
9	3V3	Regulated 3.3V DC output, maximum load 800 mA. Cannot be used as a power input.	
10	NC	Do not connect to anything	

Pin	Pin Name	Description	MCU
11	NC	Do not connect to anything	
12	GND	Ground. Be sure to connect all GND pins.	
13	USBDATA+	USB Data+. Cannot be used as GPIO.	D+
14	USBDATA-	USB Data-. Cannot be used as GPIO.	D-
15	GND	Ground. Be sure to connect all GND pins.	
16	TX	Serial1 TX (transmitted data), GPIO D8, PWM.	P0.06
17	RX	Serial1 RX (received data), GPIO D9, PWM.	P0.08
18	GND	Ground. Be sure to connect all GND pins.	
19	A7 / WKP	A7 analog in, WKP (wakeup), GPIO D17.	P0.05
20	A6	A6 analog in, PWM, GPIO D16.	P0.04
21	A5	A5 Analog in, GPIO D15, SPI MOSI, PWM.	P0.31
22	A4	A4 Analog in, GPIO D14, SPI MISO, PWM.	P0.30
23	A3	A3 analog in, GPIO D13, SPI SCK, PWM	P0.29
24	A2	A2 Analog in, GPIO D12, SPI SS	P0.28
25	A1	A1 Analog in, GPIO D11	P0.02
26	A0	A0 Analog in, GPIO D10	P0.03
27	GND	Ground. Be sure to connect all GND pins.	
28	NC	Do not connect to anything	
29	NC	Do not connect to anything	
30	B3	B3, GPIO D21, PWM	P1.13
31	B2	B2, GPIO D20, PWM	P1.12
32	B1	B1, GPIO D19	P0.09
33	B0	B0, GPIO D18	P0.10
34	GND	Ground. Be sure to connect all GND pins.	
35	SWDIO	SWDIO for JTAG/SWD debugger. Internal pull-up. Not GPIO.	SWDIO
36	SWDCLK	SWCLK for JTAG/SWD debugger. Internal pull-down. Not GPIO.	SWCLK
37	D5	D5 GPIO, SPI1 SS	P1.11
38	SWO	SWO for JTAG/SWD debugger. Not GPIO.	SWO
39	NC	Do not connect to anything	
40	D2	D2 GPIO, PWM	P1.10
41	D1	D0 GPIO, I2C Wire SCL, Serial1 RTS, PWM	P1.02
42	D0	D0 GPIO, I2C Wire SDA, Serial1 CTS, PWM	1.01
43	GND	Ground. Be sure to connect all GND pins.	
44	C5	GPIO D29, PWM	P1.03
45	C4	GPIO D28, PWM	P0.24
46	C3	SPI1 SCK, GPIO D27.	P0.12
47	C2	SPI1 MISO, GPIO D26.	P0.11

Pin	Pin Name	Description	MCU
48	C1	SPI1 MOSI, GPIO D25.	P1.09
49	C0	GPIO D24, PWM.	P1.08
50	NC	Do not connect to anything	
51	GND	Ground. Be sure to connect all GND pins.	
52	RGBB	RGB LED Blue	P0.07
53	RGBG	RGB LED Green	P0.27
54	RGBR	RGB LED Red	P0.26
55	MODE	MODE button, has internal pull-up. Pin number constant is BTN.	P0.25
56	RESET	Hardware reset. Pull low to reset; can leave unconnected in normal operation.	P0.18
57	STAT	Charge status output from the PMIC.	
58	GND	Ground. Be sure to connect all GND pins.	
59	GND	Ground. Be sure to connect all GND pins.	
60	GND	Ground. Be sure to connect all GND pins.	

Memory Map

nRF52840 Flash Layout Overview

- Bootloader (48KB, @0xF4000)
 - User Application
 - 256KB @ 0xB4000 (Device OS 3.1 and later)
 - 128KB @ 0xD4000 (Device OS 3.0 and earlier)
- System (656KB, @0x30000)
- SoftDevice (192KB)

External SPI Flash Layout Overview (DFU offset: 0x80000000)

- OTA (1500KB, @0x00289000)
- Reserved (420KB, @0x00220000)
- FAC (128KB, @0x00200000)
- LittleFS (2M, @0x00000000)

Pin and button definition

Pin markings:

To be provided later

LED Status

Charge status LED

State	Description
ON	Charging in progress
OFF	Charging complete
Blink at 1Hz	Fault condition ^[1]
Rapid blinking	Battery disconnected ^[2]

Notes:

^[1] A fault condition can occur due to several reasons, for example, battery over/under voltage, temperature fault or safety timer fault. You can find the root cause by reading the fault register of the power management IC in firmware.

^[2] You can stop this behavior by either plugging in the LiPo battery or by disabling the charging using the appropriate firmware command.

System RGB LED

Unlike the Electron, the E series module does not have an on-board RGB status LED. We have provided its individual control pins for you to connect an LED of your liking. This will allow greater flexibility in the end design of your products.

For a detailed explanation of different color codes of the RGB system LED, please take a look [here](#).

LED status

System RGB LED

Unlike the Boron or Electron, the E404X module does not have an on-module RGB system status LED. We have provided its individual control pins for you to connect an LED of your liking. This will

allow greater flexibility in the end design of your products.

A detailed explanation of different color codes of the RGB system LED can be found [here](#).

Technical Specifications

Absolute maximum ratings ^[1]

Supply voltages

Parameter	Symbol	Min	Typ	Max	Unit
Supply voltages					
Supply Input Voltage	VCC	-0.3		+6.0	V
Supply Input Voltage	3V3	-0.3		+3.9	V
VBUS USB supply voltage	VUSB	-0.3		+5.8	V
I/O pin voltage					
VI/O, VDD ≤ 3.6 V	IO	-0.3		VDD + 0.3	V
VI/O, VDD > 3.6 V	IO	-0.3		+3.9	V
Radio					
BT RF input level (52840)				10	dBm
Environmental					
Storage temperature		-40		+85	°C

[1] Stresses beyond those listed under absolute maximum ratings may cause permanent damage to the device. These are stress ratings only, and functional operation of the device at these or any other conditions beyond those indicated under recommended operating conditions is not implied. Exposure to absolute-maximum-rated conditions for extended periods may affect device reliability.

Recommended operating conditions

Parameter	Symbol	Min	Typ	Max	Unit
Supply voltages					
Supply Input Voltage	VCC	+3.6	+3.8	+4.2	V
Supply Input Voltage	3V3	+3.0	+3.3	+3.6	V

Parameter	Symbol	Min	Typ	Max	Unit
VBUS USB supply voltage	VUSB	+4.35	+5.0	+5.5	V
Environmental					
Normal operating temperature ¹		-20	+25	+65	°C
Extended operating temperature ²		-40		+85	°C
Humidity Range Non condensing, relative humidity				95	%

Notes:

¹ Normal operating temperature range (fully functional and meet 3GPP specifications).

² Extended operating temperature range (RF performance may be affected outside normal operating range, though module is fully functional)

Power consumption

To be provided at a later date.

Radio specifications

The E404X has two radio modules.

nRF52840

- Bluetooth® 5, 2.4 GHz
 - 95 dBm sensitivity in 1 Mbps Bluetooth® low energy mode
 - 103 dBm sensitivity in 125 kbps Bluetooth® low energy mode (long range)
 - 20 to +8 dBm TX power, configurable in 4 dB steps

u-blox SARA-R510S-01B

Parameter	Value	FCC Certified
Protocol stack	3GPP Release 14	
RAT	LTE Cat M1 Half-Duplex	
LTE FDD Bands	Band 71 (600 MHz)	✓
	Band 12 (700 MHz)	✓
	Band 66 (1700 MHz)	✓

Parameter	Value	FCC Certified
	Band 85 (700 MHz)	
	Band 13 (750 MHz)	✓
	Band 20 (800 MHz)	
	Band 5 (850 MHz)	✓
	Band 18 (850 MHz)	
	Band 19 (850 MHz)	
	Band 26 (850 MHz)	✓
	Band 8 (900 MHz)	
	Band 4 (1700 MHz)	✓
	Band 3 (1800 MHz)	
	Band 2 (1900 MHz)	✓
	Band 25 (1900 MHz)	✓
	Band 1 (2100 MHz)	
Power class	Class 3 (23 dBm)	

- LTE Cat M1 for United States, Canada, and Mexico
- Not all bands are enabled in software by default.
- FCC Certification in the United States only tests bands in use in the United States.
- Particle LTE Cat M1 devices are not certified for use in Europe or other countries that follow EU certification requirements.

I/O Characteristics

These specifications are based on the nRF52840 datasheet.

Symbol	Parameter	Min	Typ	Max	Unit
VIH	Input high voltage	0.7 xVDD		VDD	V
VIL	Input low voltage	VSS		0.3 xVDD	V
VOH,SD	Output high voltage, standard drive, 0.5 mA, VDD ≥ 1.7	VDD - 0.4		VDD	V
VOH,HDH	Output high voltage, high drive, 5 mA, VDD ≥ 2.7 V	VDD - 0.4		VDD	V
VOH,HDL	Output high voltage, high drive, 3 mA, VDD ≥ 1.7 V	VDD - 0.4		VDD	V
VOL,SD	Output low voltage, standard drive, 0.5 mA, VDD ≥ 1.7	VSS		VSS + 0.4	V
VOL,HDH	Output low voltage, high drive, 5 mA, VDD ≥ 2.7 V	VSS		VSS + 0.4	V
VOL,HDL	Output low voltage, high drive, 3 mA, VDD ≥ 1.7 V	VSS		VSS + 0.4	V
IOL,SD	Current at VSS+0.4 V, output set low, standard drive, VDD ≥ 1.7	1	2	4	mA
IOL,HDH	Current at VSS+0.4 V, output set low, high drive, VDD ≥ 2.7V	6	10	15	mA

Symbol	Parameter	Min	Typ	Max	Unit
IOL,HDL	Current at VSS+0.4 V, output set low, high drive, VDD >= 1.7V	3			mA
IOH,SD	Current at VDD-0.4 V, output set high, standard drive, VDD ≥ 1.7	1	2	4	mA
IOH,HDH	Current at VDD-0.4 V, output set high, high drive, VDD >= 2.7V	6	9	14	mA
IOH,HDL	Current at VDD-0.4 V, output set high, high drive, VDD >= 1.7V	3			mA
tRF,15pF	Rise/fall time, standard drivemode, 10-90%, 15 pF load ¹		9		ns
tRF,25pF	Rise/fall time, standard drive mode, 10-90%, 25 pF load ¹		13		ns
tRF,50pF	Rise/fall time, standard drive mode, 10-90%, 50 pF load ¹		25		ns
tHRF,15pF	Rise/Fall time, high drive mode, 10-90%, 15 pF load ¹		4		ns
tHRF,25pF	Rise/Fall time, high drive mode, 10-90%, 25 pF load ¹		5		ns
tHRF,50pF	Rise/Fall time, high drive mode, 10-90%, 50 pF load ¹		8		ns
RPU	Pull-up resistance	11	13	16	kΩ
RPD	Pull-down resistance	11	13	16	kΩ
CPAD	Pad capacitance		3		pF

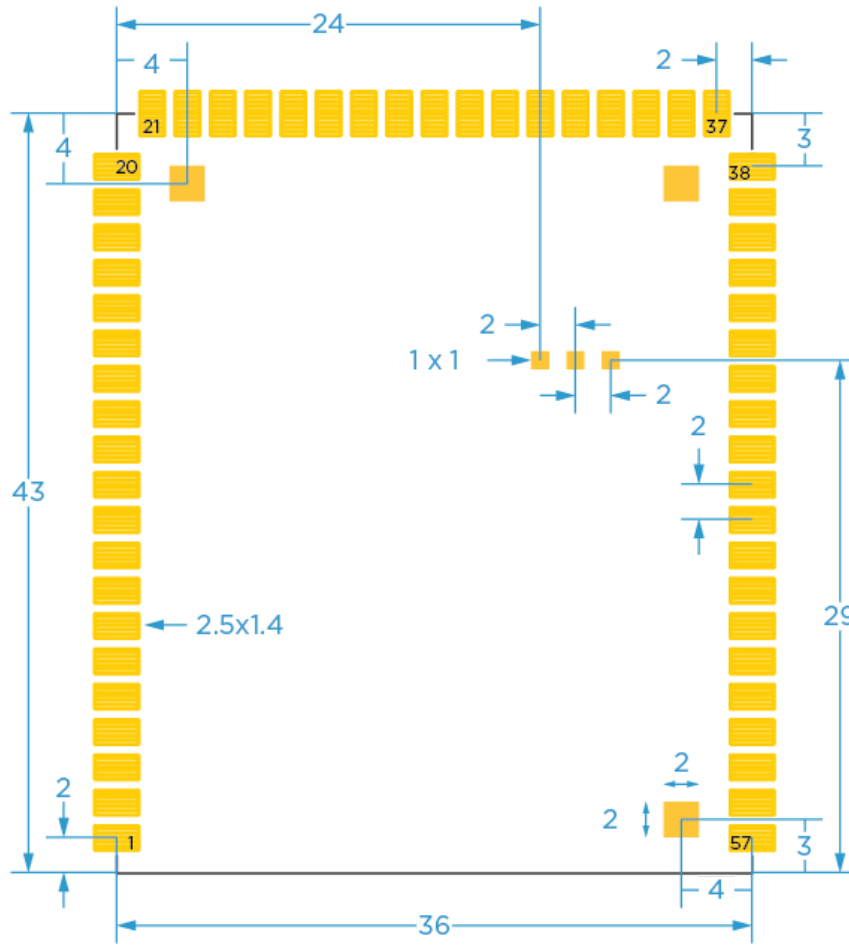
- Rise and fall times based on simulations
- GPIO default to standard drive (2mA) but can be reconfigured to high drive (9mA) in Device OS 2.0.0 and later using the [pinSetDriveStrength\(\)](#) function.

Mechanical Specifications

Dimensions and Weight

- Width = 36 mm
- Height = 43 mm
- Thickness = 4.6 mm
- Weight = 8 gms

Recommended PCB land pattern



An E series part for EAGLE can be found in the [Particle EAGLE library](#).

Schematics

To be provided at a later date

Country compatibility

Country	Model	Technologies	Carriers
Canada	E404	M1	Bell Mobility, Rogers Wireless, Telus
Mexico	E404	M1	AT&T
United States	E404	M1	AT&T

Ordering information

To be provided at a later date

Product Handling

ESD Precautions

The E series contains highly sensitive electronic circuitry and is an Electrostatic Sensitive Device (ESD). Handling an E series without proper ESD protection may destroy or damage it permanently. Proper ESD handling and packaging procedures must be applied throughout the processing, handling and operation of any application that incorporates EØs. ESD precautions should be implemented on the application board where the E series is mounted. Failure to observe these precautions can result in severe damage to the E series!

Connectors

The U.FL antenna connectors are not designed to be constantly plugged and unplugged. The antenna pin is static sensitive and you can destroy the radio with improper handling. A tiny dab of glue (epoxy, liquid tape or hot glue) on the connector can be used to securely hold the plug in place.

Default settings

The E series comes pre-programmed with a bootloader and a user application called Tinker. This application works with an iOS and Android app also named Tinker that allows you to very easily toggle digital pins, take analog and digital readings and drive variable PWM outputs.

The bootloader allows you to easily update the user application via several different methods, USB, OTA, Serial Y-Modem, and also internally via the Factory Reset procedure. All of these methods have multiple tools associated with them as well.

You may use the [Particle Web IDE](#) to code, compile and flash a user application OTA (Over The Air). [Particle Workbench](#) is a full-featured desktop IDE for Windows, Mac, and Linux based on VSCode and supports both cloud-based and local gcc-arm compiles. The [Particle CLI](#) provides a command-line interface for cloud-based compiles and flashing code over USB.

Glossary

Term	Definition
SMPS	Switch Mode Power Supply
SIM	Subscriber Identity Module
RF	Radio Frequency
SMT	Surface Mount Technology (often associated with SMD which is a surface mount device).
LED	Light Emitting Diode
RGB LED	Red green and blue LEDs combined and diffused in one package.
USB	Universal Serial Bus
Quiescent current	Current consumed in the deepest sleep state.
FT	Five-tolerant; Refers to a pin being tolerant to 5V.
3V3	+3.3Volt; The regulated +3.3V supply rail. Also used to note a pin is only 3.3V tolerant.
PMIC	Power Management Integrated Circuit
LiPo	Lithium-ion Polymer Battery
GSM	Global System for Mobile Communications
CDMA	Code Division Multiple Access
OTA	Over The Air; describing how firmware is transferred to the device.
uC	Microcontroller

FCC IC Warnings and End Product Labeling Requirements

Federal Communication Commission Interference Statement This equipment has been tested and found to comply with the limits for a Class B digital device, pursuant to Part 15 of the FCC Rules. These limits are designed to provide reasonable protection against harmful interference in a residential installation. This equipment generates, uses and can radiate radio frequency energy and, if not installed and used in accordance with the instructions, may cause harmful interference to radio communications. However, there is no guarantee that interference will not occur in a particular installation. If this equipment does cause harmful interference to radio or television reception, which can be determined by turning the equipment off and on, the user is encouraged to try to correct the interference by one of the following measures:

- Reorient or relocate the receiving antenna.
- Increase the separation between the equipment and receiver.
- Connect the equipment into an outlet on a circuit different from that to which the receiver is connected.
- Consult the dealer or an experienced radio/TV technician for help.

FCC Caution: Any changes or modifications not expressly approved by the party responsible for compliance could void the user's authority to operate this equipment. This device complies with Part 15 of the FCC Rules. Operation is subject to the following two conditions:

1. This device may not cause harmful interference, and
2. This device must accept any interference received, including interference that may cause undesired operation.

FCC Radiation Exposure Statement: This equipment complies with FCC radiation exposure limits set forth for an uncontrolled environment. This transmitter module must not be co-located or operating in conjunction with any other antenna or transmitter. This End equipment should be installed and operated with a minimum distance of 20 centimeters between the radiator and your body.

IMPORTANT NOTE: In the event that these conditions can not be met (for example certain laptop configurations or co-location with another transmitter), then the FCC authorization is no longer considered valid and the FCC ID can not be used on the final product. In these circumstances, the OEM integrator will be responsible for re-evaluating the end product (including the transmitter) and obtaining a separate FCC authorization.

End Product Labeling The final end product must be labeled in a visible area with the following:

Contains FCC ID: 2AEMI-E404X

To be provided at a later date

Manual Information to the End User The OEM integrator has to be aware not to provide information to the end user regarding how to install or remove this RF module in the user's manual of the end product which integrates this module.

Canada Statement This device complies with Industry Canada's licence-exempt RSSs. Operation is subject to the following two conditions:

1. This device may not cause interference; and
2. This device must accept any interference, including interference that may cause undesired operation of the device.

Le présent appareil est conforme aux CNR d'Industrie Canada applicables aux appareils radio exempts de licence.

L'exploitation est autorisée aux deux conditions suivantes:

1. l'appareil ne doit pas produire de brouillage;
2. l'utilisateur de l'appareil doit accepter tout brouillage radioélectrique subi, même si le brouillage est susceptible d'en compromettre le fonctionnement.

Caution Exposure: This device meets the exemption from the routine evaluation limits in section 2.5 of RSS102 and users can obtain Canadian information on RF exposure and compliance. Le dispositif répond à l'exemption des limites d'évaluation de routine dans la section 2.5 de RSS102 et les utilisateurs peuvent obtenir des renseignements canadiens sur l'exposition aux RF et le respect.

The final end product must be labelled in a visible area with the following: The Industry Canada certification label of a module shall be clearly visible at all times when installed in the host device, otherwise the host device must be labelled to display the Industry Canada certification number of the module, preceded by the words "Contains transmitter module", or the word "Contains", or similar wording expressing the same meaning, as follows:

Contains transmitter module IC: 20127-E404X

This End equipment should be installed and operated with a minimum distance of 20 centimeters between the radiator and your body. Cet équipement devrait être installé et actionné avec une distance minimum de 20 centimètres entre le radiateur et votre corps.

The end user manual shall include all required regulatory information/warning as shown in this manual.

For an in-depth review on certifications, please click [here](#).

Revision history

Revision	Date	Author	Comments
pre	2022-01-25	RK	Pre-release
	2022-03-14	RK	Minor edits; no functional changes
	2022-05-06	RK	Wire1 is not exposed on C4/C5
	2022-07-28	RK	Update PWM assignments
	2022-09-08	RK	Update antenna, FCC, and IC
	2022-09-16	RK	Add minimum Device OS version, is 4.0.0
	2022-10-12	RK	Removed power consumption section, was for B404 not E404X

2022-07-28 PWM changes

Several PWM channel assignments have been changed in Device OS 5.0.0-beta.1.

Pin	New Assignment	Old Assignment	Notes
A2	No PWM	PWM2	
A3	PWM1	PWM2	
A6	PWM3		
B2	PWM2	PWM0	No longer shared with RGB LED
B3	PWM2	PWM1	
C4	PWM3		
C5	PWM0		Shared with RGB LED
D0	PWM1	PWM3	
D1	PWM1	PWM3	

Known Errata

Contact

Web

<https://www.particle.io>

Community Forums

<https://community.particle.io>

Email

<https://support.particle.io>