

# **APPROVAL SPECIFICATION**

**Product : 2.4G PCB built-in antenna**

**Model Name : ANT-FLXV2**

**Date : 2022.12.15**

---

## Table of Contents

	Page
1. Manufacturer -----	3
2. Model Name -----	3
3. Antenna Type -----	3
4. Electrical Performance Data -----	3
5. Matching circuit -----	9
6. Electrical Graph( VSWR/Return loss)-----	9
7. External Drawing -----	9

## 1. Manufacturer

2.4G antenna : SHENZHEN Surbaner Technology Co.,Ltd

## 2. Model Name

Basic Model: ANT-FLXV2

## 3. Antenna Type

ANT	Antenna type
2.4G	PCB Antenna, Dipole

## 4. Electric Performance Data

### 4.1 Specification Sheet

#### 电气参数(Electrical Properties)

频率/Frequency:	2400~2500MHz
输入阻抗/Impedance:	50 Ω
驻波比/VSWR:	<2.0
增益/Gain:	2.0dBi
极化方式/Polarization:	垂直全向 /vertical Omni

#### 机械参数(Mechanical Properties)

接头&线缆/Conn & Cable:	IPEX/ 1.13 Cable L=120mm
材料&颜色/Material & Color:	PCB & black
安装方式/Mounting:	Normal
尺寸/Size:	45.1×7.4×1.0mm
工作温度/Operate Temp:	-20 ~ 75 °C

Frequency (MHz)	Efficiency (%)	Peak GAIN (dBi)
2400	63.13	1.98
2410	63.46	1.88
2420	66.82	1.85
2430	66.68	1.89
2440	64.78	2.0
2450	67.27	1.86
2460	72.24	1.88
2470	72.26	1.85
2480	69.51	1.92
2490	71.88	1.87

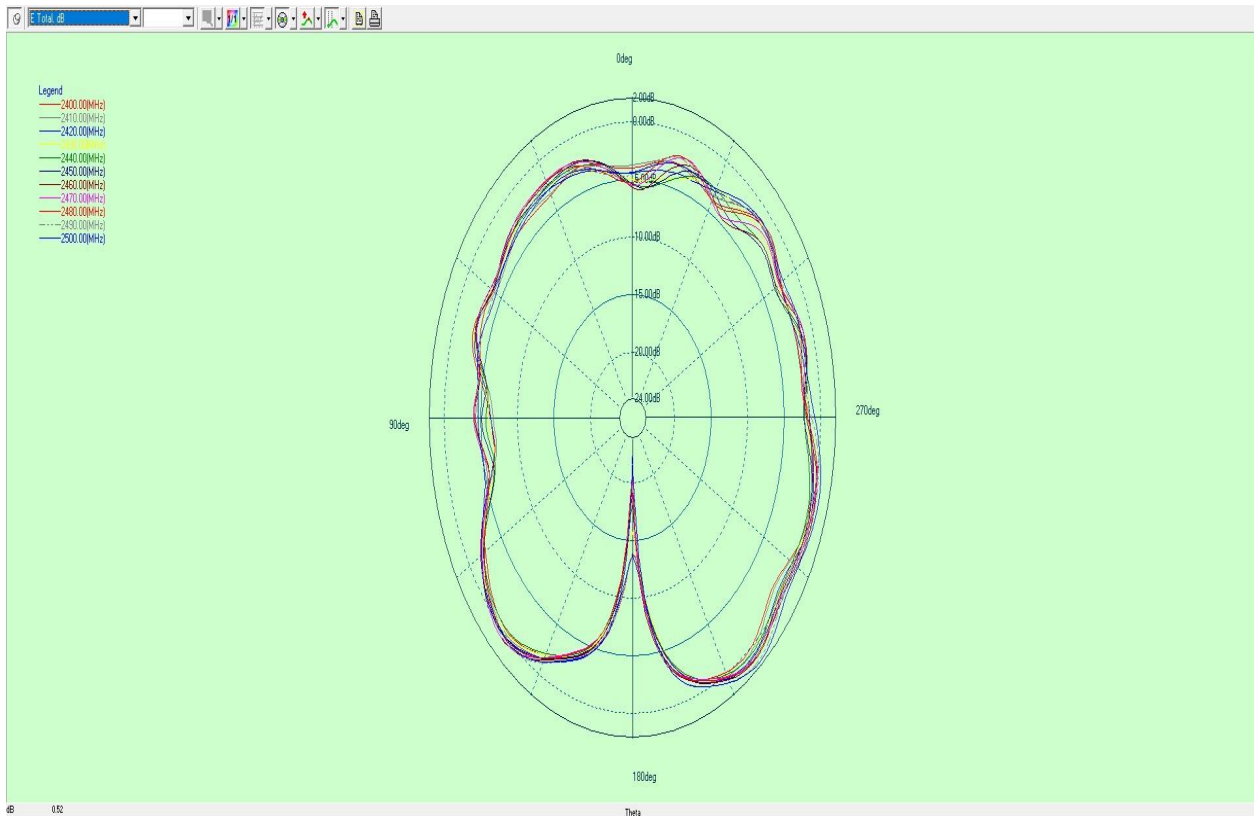
2500

74.85

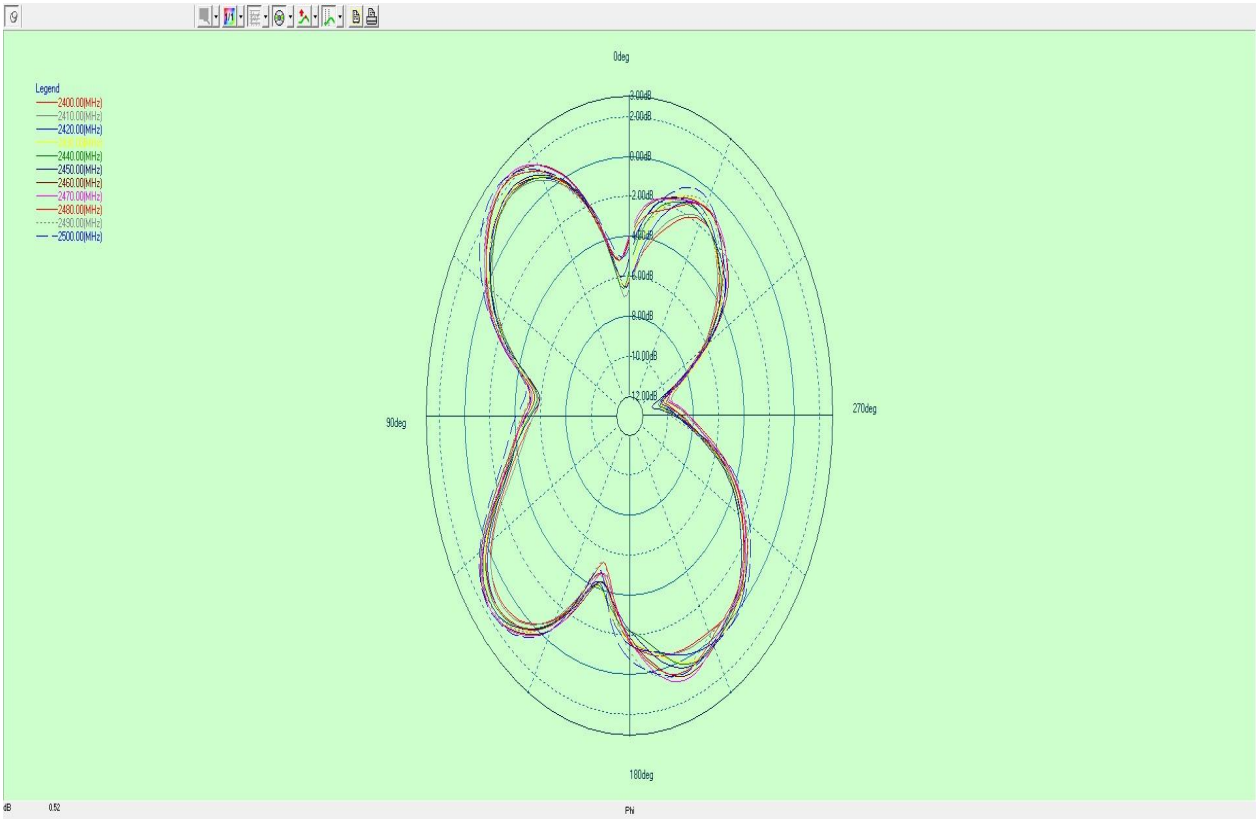
2.0

## 4.2 BLE Antenna Pattern Drawing

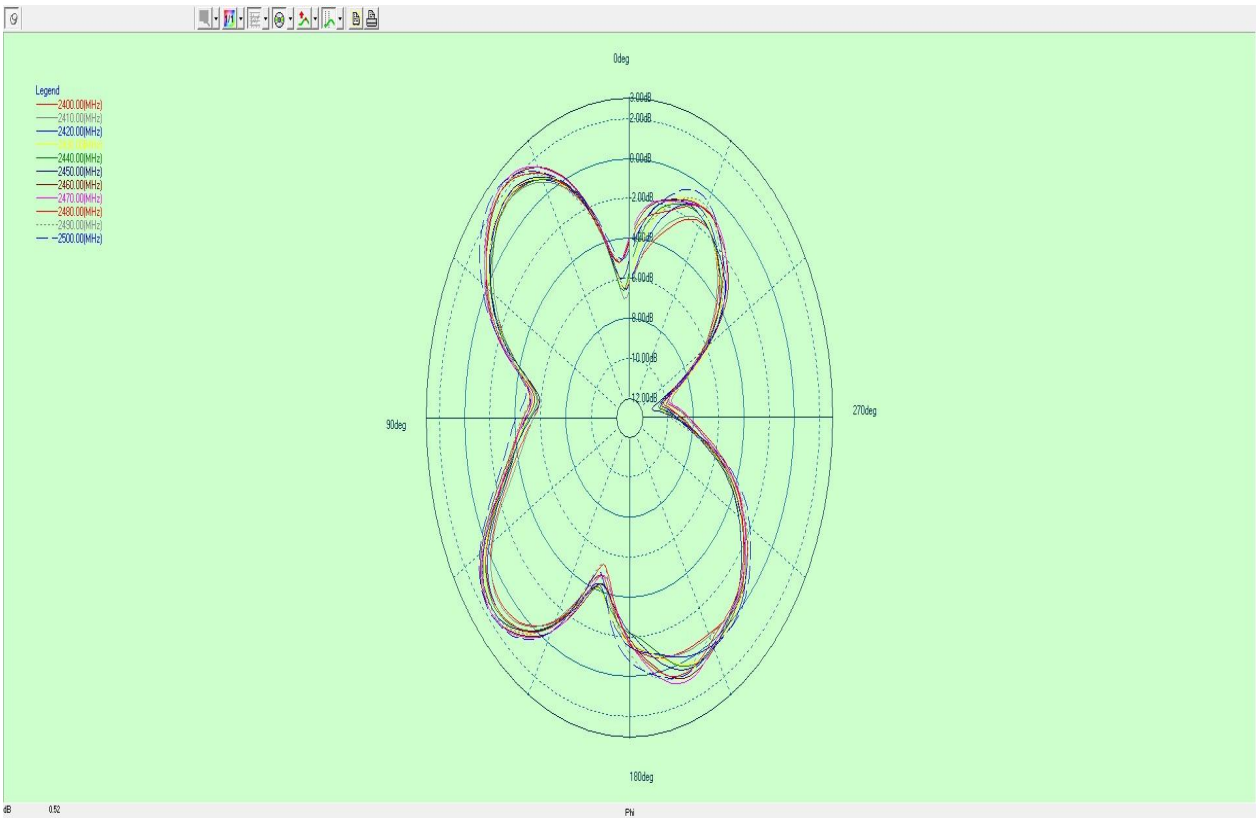
### 4.2.1 2D Pattern



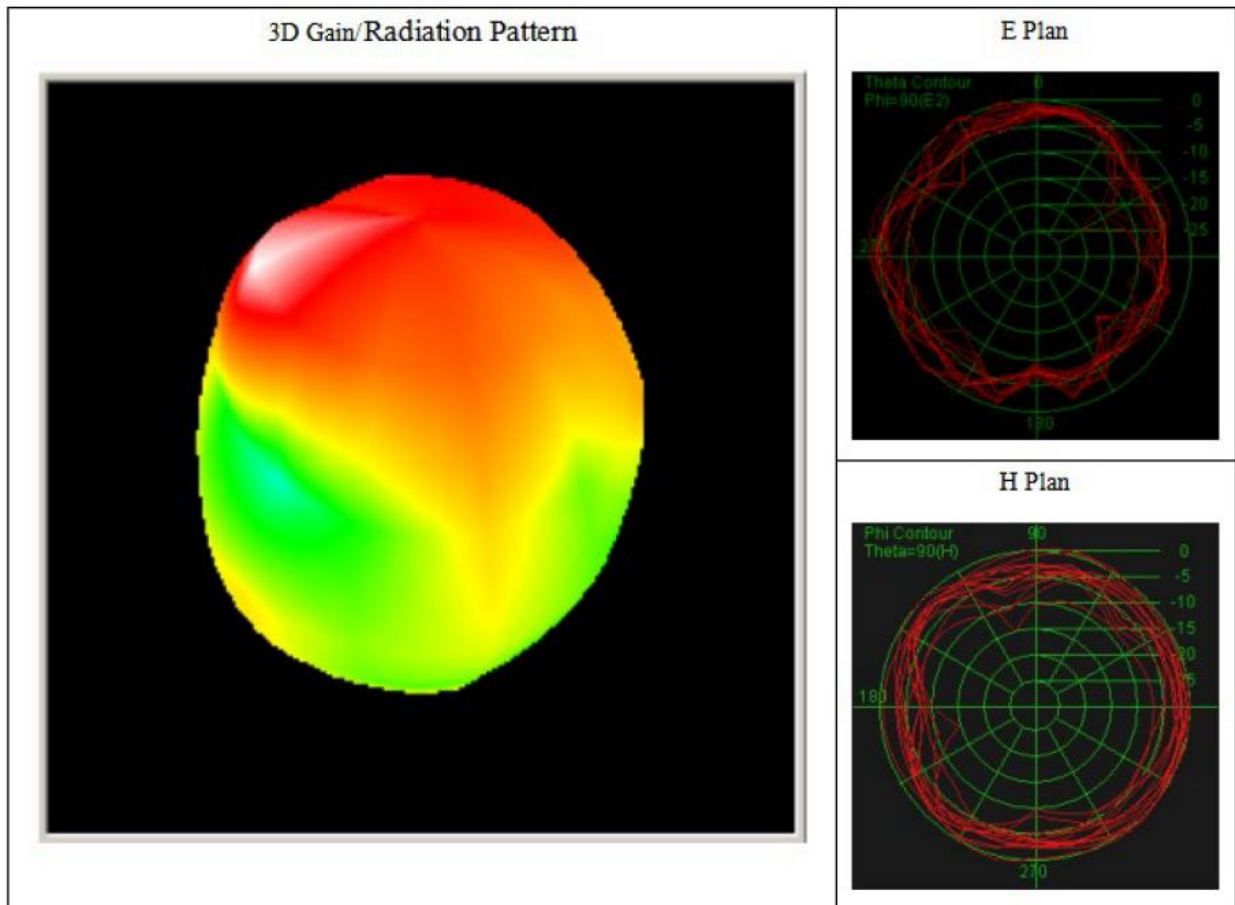
### 4.2.2 2D Pattern



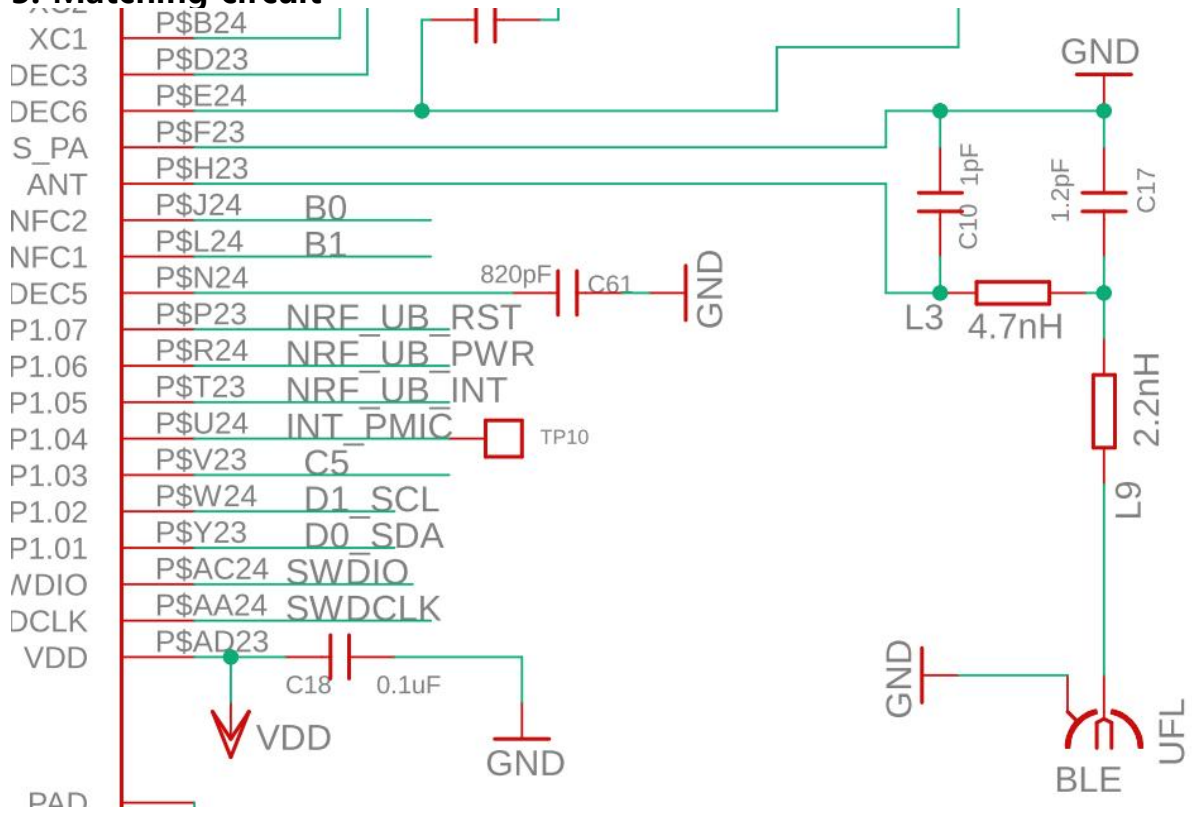
### 4.2.3 2D Pattern



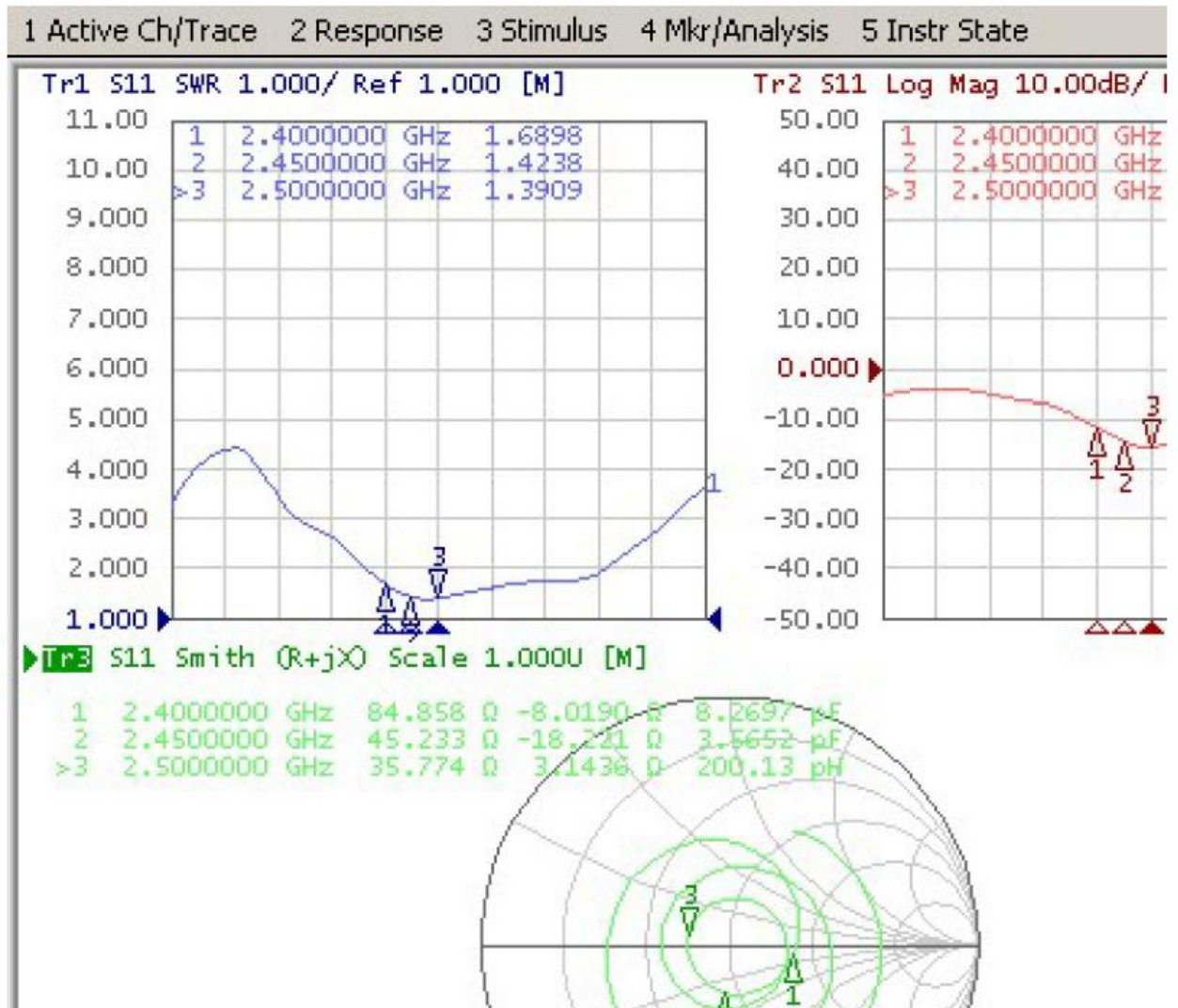
## 4.2.4 3D pattern



## 5. Matching circuit



## 6. ElectricalGraph( Returnloss) BLE Return loss



## 7. External Drawing

Dimensions(mm) :45\*7.4\*1.0

