

Antenna Test Report Photographs Exhibit

For the

eero Model V010001

Wi-Fi Router/Access Point

FCC ID 2AEM4-711917312

IC ID: 20631-711917312

Version	Date	Author	Description
1.0	9/08/2023	C. Clarke	Initial release.

The eero Model V010001 uses custom designed antennas.

Each of the antennas is a dipole antenna constructed on flexible printed circuit board material (Flex PCB). The antennas for each band are nearly fully polarized and have a frequency response tuned to their specific range of operation.

1. Antenna Locations

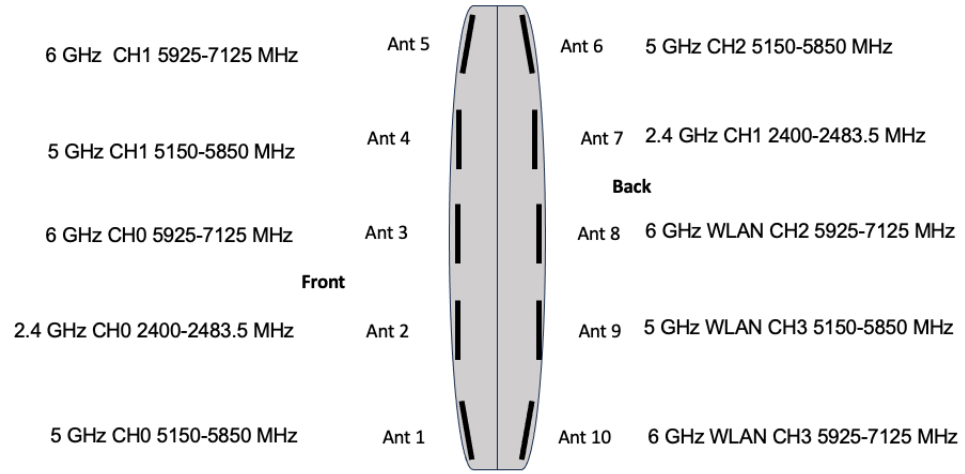


Figure 1. Wifi Antenna location (DUT Top View)

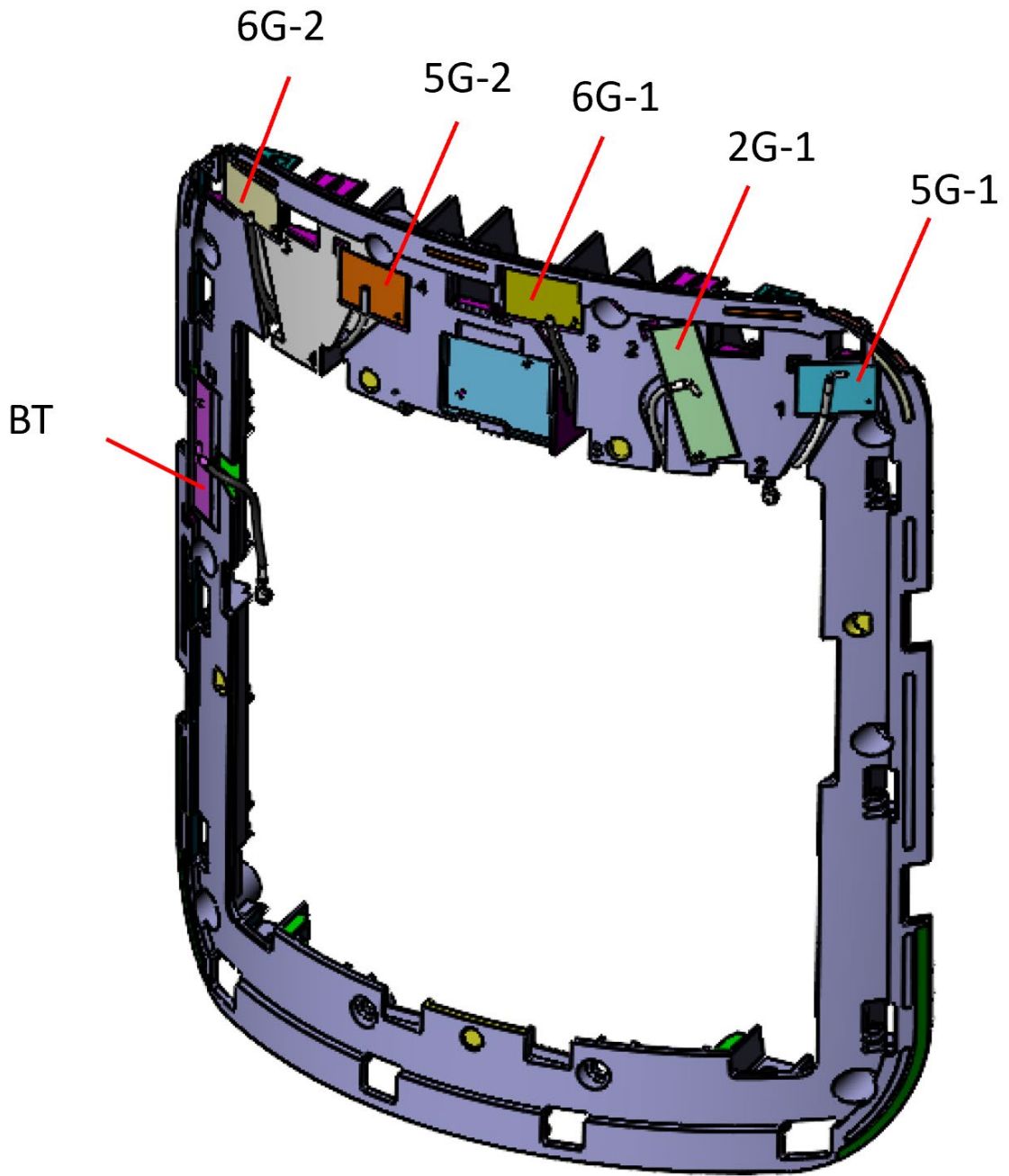


Figure 2. Wi-fi Antenna locations on antenna carrier

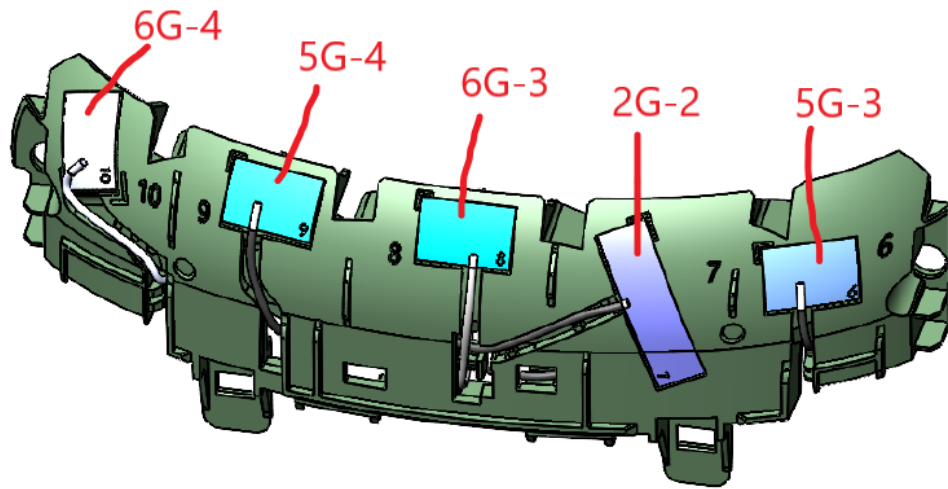


Figure 3. Wi-fi Antenna locations on antenna carrier; detail 1

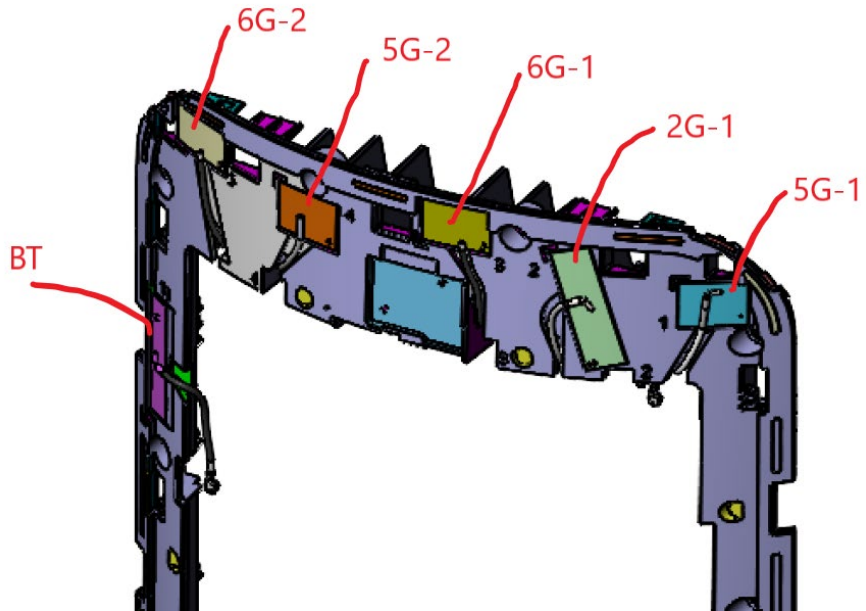


Figure 4. Wi-fi Antenna locations on antenna carrier; detail 2



Figure 5. Close-up photo of Front Antennas

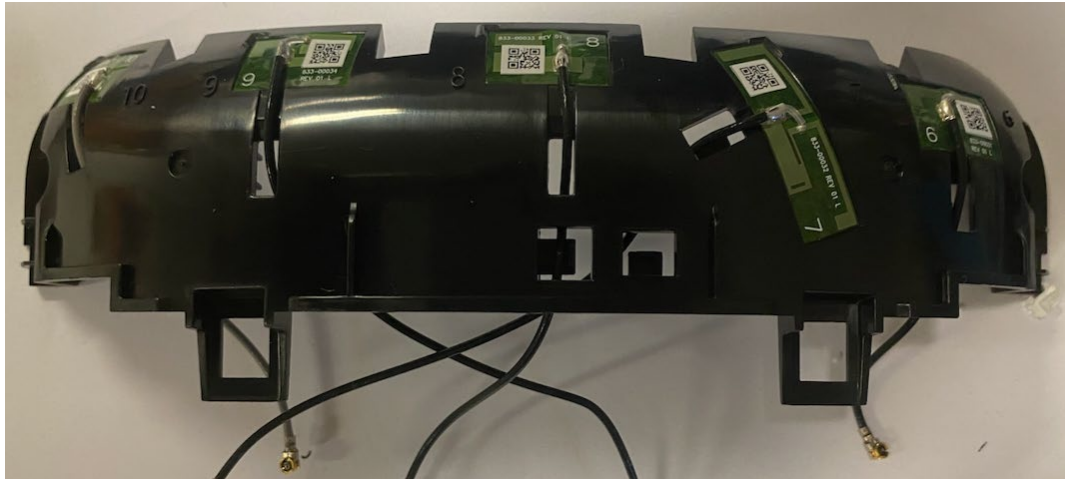


Figure 6. Close-up photo of Back Antennas



Figure 7. Antennas on antenna carrier; front side

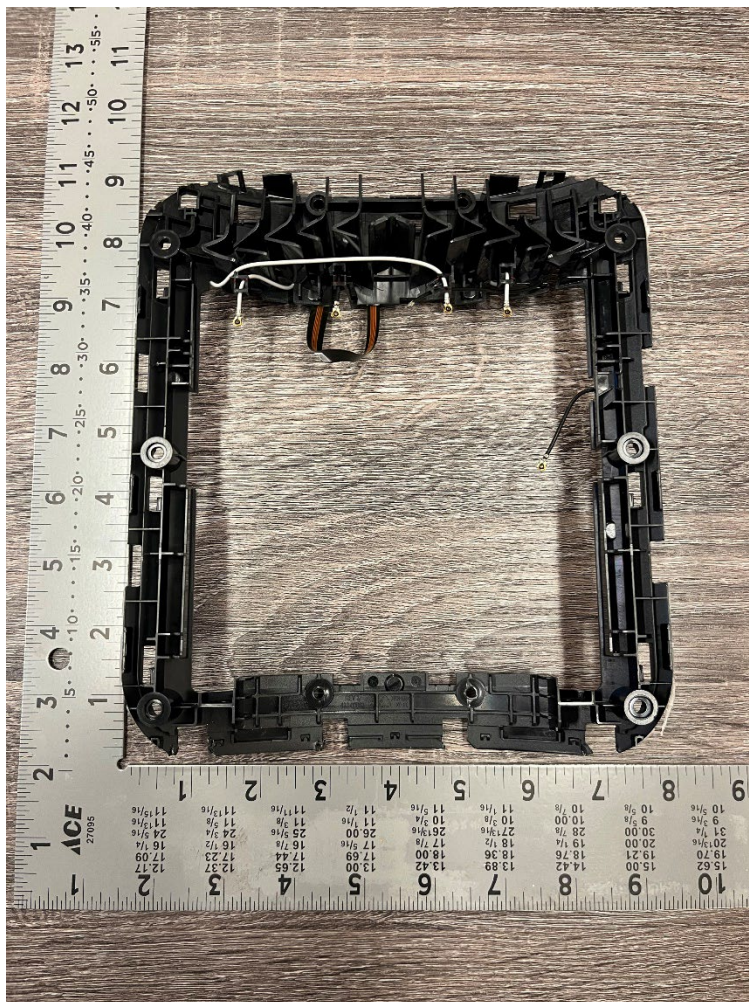


Figure 7. Antennas on antenna carrier ; rear view

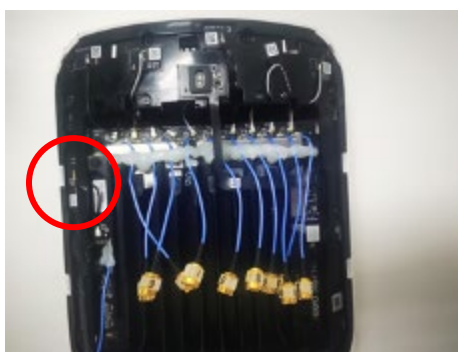


Figure 8. Pigtails attached for antenna measurement testing;
2402 - 2480 MHz BLE/802.154 Antenna 11 (as circled)

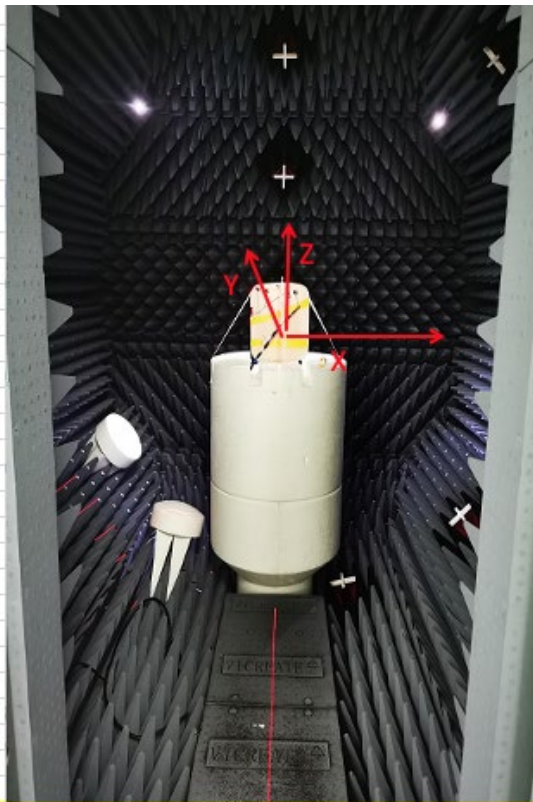


Figure 4. eero Model V010001 in antenna test chamber.

Placement is “tabletop”, with long axis oriented vertically.

Placement is always with “eero” logo on front as right-side-up.
Device label is on bottom side facing down with power and Ethernet ports on “back” side