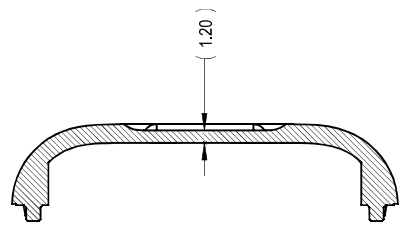
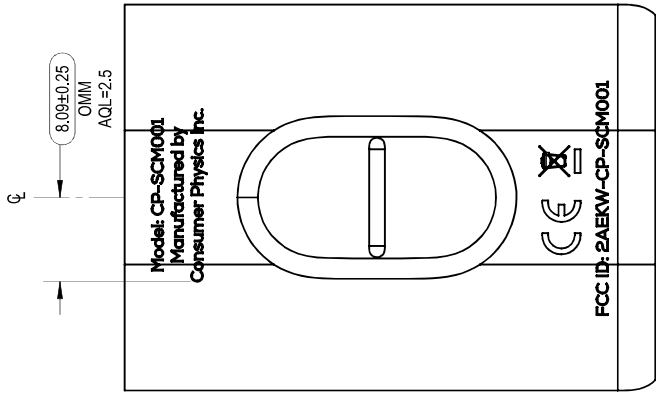
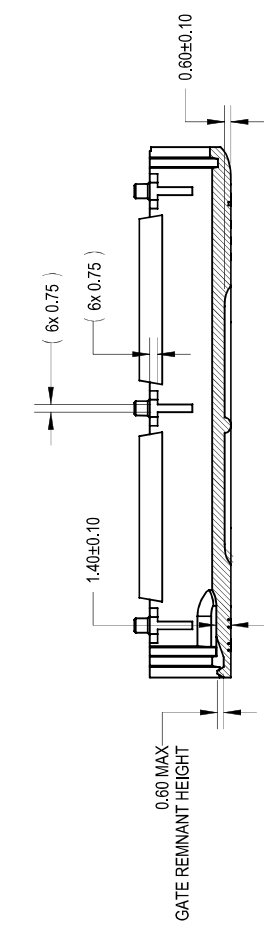
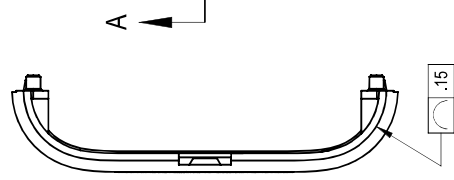
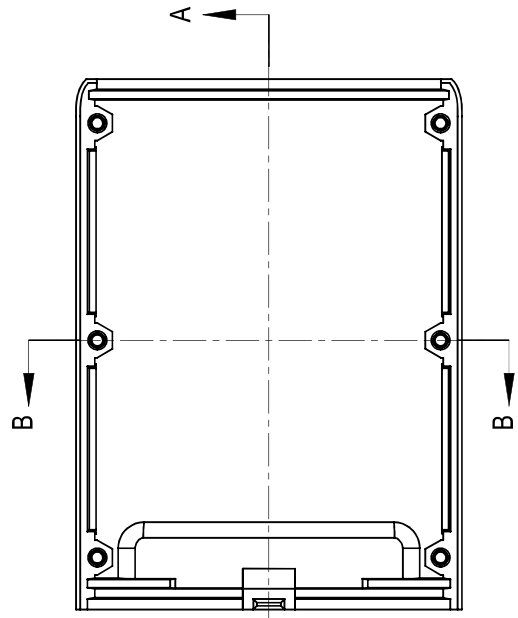
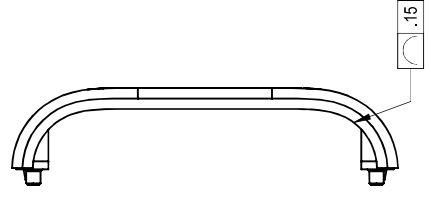


1 2 3 4 5 6 7 8



SECTION B-B



SECTION A-A

PAD PRINTING WITH UV HARD COATING

ENGINEER	PRM	DATE	12/15/2014
DRAWN	PRM	DATE	12/15/2014
APPROVED		DATE	
THIRD ANGLE PROJECTION			
ENGINEER	DATE	135 MISSISSIPPI ST SAN FRANCISCO CA 94110 USA	
LIMELAB A PCH SOLUTIONS COMPANY			
TITLE SCIO-BOTTOM-HOUSING			
SIZE	B	DWG NO	3-00513
SCALE	2:1	FILE	scio-bottom-housing
REV	X14		
			SHEET 2 OF 6

1 2 3 4 5 6 7 8