



# FCC SAR Report

Report No. : SESF1507008  
Client : ELITEGROUP COMPUTER SYSTEMS CO., LTD.  
Address : 239 SEC 2 TI DING BLVD TAIPEI, 11493 TAIWAN  
Manufacturer1 : GOLDEN ELITE TECHNOLOGY (SHENZHEN) LTD.  
Address : No.1, Nan-Huan Rd., ShaJing, BaoAn, ShenZhen, China.  
Manufacturer2 : Elitegroup Computer Systems (SIP) Co.,Ltd.  
Address : Integrated Free Trade Zone, No. 200, Central Suhong Road, Suzhou Industrial Park, Jiangsu, P.R. China.

Brand :



Product : Tablet PC  
Model : TF10EA2  
Standards : FCC 47 CFR Part 2 (2.1093) / IEEE C95.1:2005 / IEEE 1528-2013 / KDB 865664 D01 v01r04 / KDB 248227 D01 v02r01 / KDB 447498 D01 v05r02 / KDB 616217 D04 v01r01  
Test Date : July 16<sup>th</sup>, 2015

## Statement of Compliance:

The SAR values measured for the test sample are below the maximum recommended level of 1.6W/kg averaged over any 1g tissue according to FCC Knowledge Data Base / FCC 47CFR Part 2 (2.1093)/ IEEE Std.1528-2013.

**The test result only corresponds to the tested sample. It is not permitted to copy this report, in part or in full, without the permission of the test laboratory.**

The testing described in this report has been carried out to the best of our knowledge and ability, and our responsibility is limited to the exercise of reasonable care. This certification is not intended to believe the sellers from their legal and/or contractual obligations.

Prepared By: Leo Chen  
Leo Chen

Approved By: Miro Chueh  
Miro Chueh





## Release Version

Report No.	Issue Date	Description
SESF1507008	2015-07-18	Initial release



**Contents**

- 1. Summary of Maximum SAR Value.....4**
- 2. Description of Equipment under Test.....5**
- 3. General Information.....6**
- 4. Basic restrictions and Standards.....7**
  - 4.1. Test Standards .....7
  - 4.2. Environment Condition.....7
  - 4.3. RF Exposure Limits.....7
- 5. DASYS Measurement System.....8**
  - 5.1. Uncertainty of Inter-/Extrapolation and Averaging .....9
  - 5.2. DASYS E-Field Probe .....9
  - 5.3. Data Acquisition Electronics (DAE) ..... 10
  - 5.4. Robot..... 10
  - 5.5. Light Beam Unit ..... 10
  - 5.6. Measurement Server ..... 11
  - 5.7. SAM Phantom..... 11
  - 5.8. Device Holder ..... 12
  - 5.9. Test Equipment List..... 13
- 6. The SAR Measurement Procedure..... 14**
  - 6.1. System Performance Check..... 14
  - 6.2. Test Requirements..... 18
- 7. Wi-Fi/Bluetooth SAR Exclusion and Results ..... 21**
  - 7.1. Maximum Tune-up Conducted Average Power ..... 21
  - 7.2. Measured Conducted Average Power ..... 21
  - 7.3. Antenna Location ..... 22
  - 7.4. SAR exclusion..... 23
  - 7.5. Required Edges for SAR Testing ..... 24
  - 7.6. Estimated SAR..... 24
  - 7.7. SAR Test Results Summary..... 25
- 8. Simultaneous Transmission Analysis ..... 26**
  - 8.1. Max. Simultaneous SAR..... 26
  - 8.2. Simultaneous Transmission Conclusion ..... 26
- 9. Measurement Uncertainty ..... 27**
- APPENDIX A. SAR System Verification Data**
- APPENDIX B. SAR measurement Data**
- APPENDIX C. Calibration Data for Probe, Dipole and DAE**
- APPENDIX D. Photographs of EUT and Setup**




### 1. Summary of Maximum SAR Value

Equipment Class	Mode	Highest Reported SAR <sub>1-g</sub> (W/kg)	
DTS	2.4GHz WIFI	1.137	
DSS	Bluetooth	0.4	
Highest Simultaneous Transmission SAR	Body		
	Ant. Type	Highest Simultaneous SAR <sub>1-g</sub> (W/kg)	
DTS+DSS	1	1.188	



## 2. Description of Equipment under Test

<b>Product Name</b>	Tablet PC
<b>Model No.</b>	TF10EA2
<b>Brand Name</b>	
<b>EUT Configuration</b>	Wi-Fi & Bluetooth
<b>Antenna Type</b>	Internal
<b>Antenna Peak Gain</b>	-2.89dBi
<b>Device Category</b>	Portable
<b>RF Exposure Environment</b>	Uncontrolled
<b>Bluetooth</b>	
<b>Bluetooth Frequency</b>	2402~2480MHz
<b>Channel Separation</b>	1MHz
<b>Mode</b>	BR-1Mbps; EDR-2Mbps; EDR-3Mbps
<b>Wi-Fi</b>	
<b>Modulation technology</b>	802.11b:DSSS / 802.11n:OFDM
<b>Tx Rate</b>	802.11b: up to 11Mbps, 802.11a/g: up to 54Mbps, 802.11n: up to 400Mbps
<b>Wi-Fi Frequency</b>	2.4GHz: 2.412 ~ 2.462GHz
<b>Channel Separation</b>	11 for 802.11b, 802.11g, 802.11n (HT20) 7 for 802.11n (HT40)



### 3. General Information

Our Lab,

Test Site	Cerpass Technology (Suzhou) Co.,Ltd
Test Site Location	No.66,Tangzhuang Road, Suzhou Industrial Park, Jiangsu 215006, China



## 4. Basic restrictions and Standards

### 4.1. Test Standards

1. IEEE 1528-2013
2. FCC KDB Publication 447498 D01 General RF Exposure Guidance v05r02
3. FCC KDB Publication 865664 D01 SAR Measurement 100 MHz to 6 GHz v01r04
4. FCC KDB Publication 616217 D04 SAR for laptop and tablets v01r01
5. FCC KDB Publication 248227 D01 SAR measurement for 802 11 a b g v01r02

### 4.2. Environment Condition

Item	Target	Measured
Ambient Temperature(°C)	18~25	21.5 ± 2
Temperature of Simulant(°C)	20~22	21 ± 2
Relative Humidity(%RH)	30~70	52

### 4.3. RF Exposure Limits

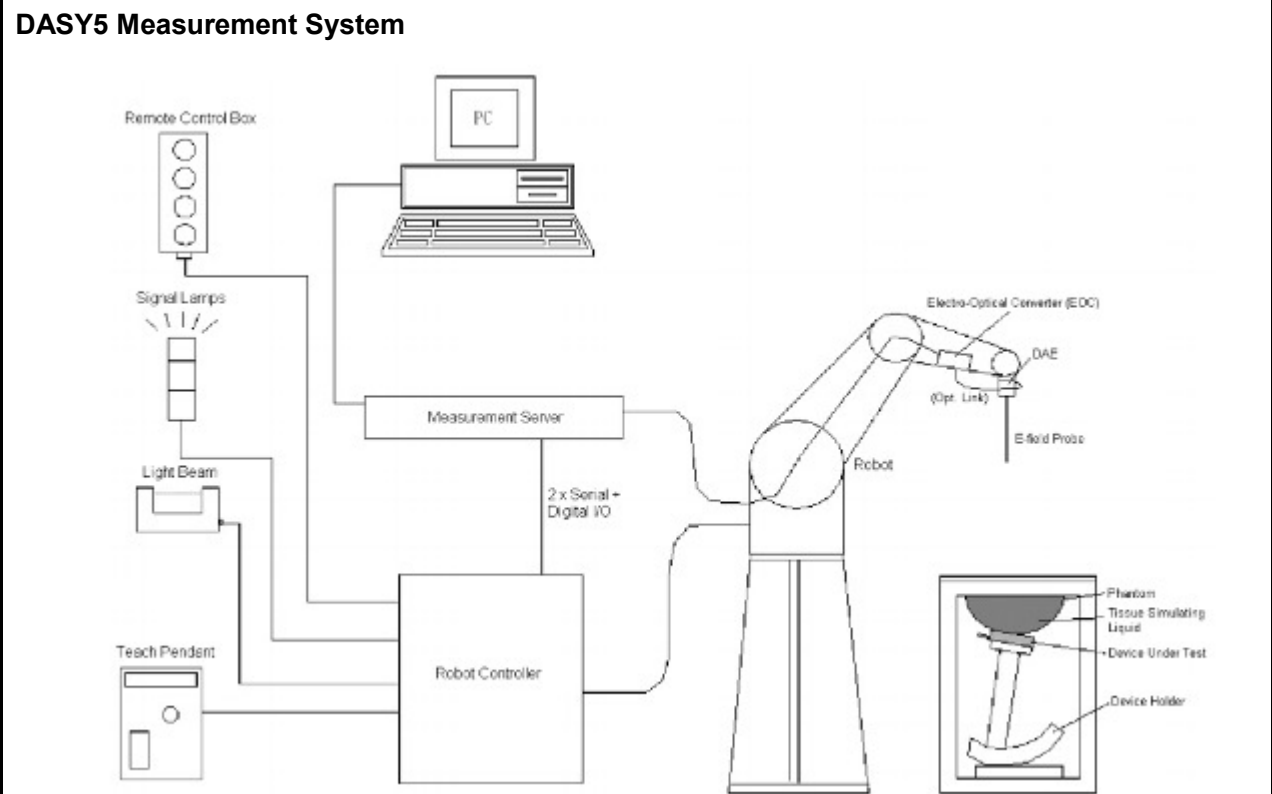
Human Exposure	Basic restrictions for electric, magnetic and electromagnetic fields. (Unit in mW/g or W/kg)
Spatial Peak SAR <sup>1</sup> (Head and Body)	1.60
Spatial Average SAR <sup>2</sup> (Whole Body)	0.08
Spatial Peak SAR <sup>3</sup> (Arms and Legs)	4.00

#### Notes:

1. The Spatial Peak value of the SAR averaged over any 1gram of tissue (defined as a tissue volume in the shape of a cube) and over the appropriate averaging time.
2. The Spatial Average value of the SAR averaged over the whole body.
3. The Spatial Peak value of the SAR averaged over any 1 gram of tissue (defined as a tissue volume in the shape of a cube) and over appropriate averaging time.



## 5. DASY5 Measurement System



**Figure 2.1 SPEAG DASY5 System Configurations**

The DASY5 system for performance compliance tests is illustrated above graphically. This system consists of the following items:

- A standard high precision 6-axis robot with controller, a teach pendant and software
- A data acquisition electronic(DAE)attached to the robot arm extension
- A dosimetric probe equipped with an optical surface detector system
- The electro-optical converter(ECO)performs the conversion between optical and electrical signals
- A measurement server performs the time critical tasks such as signal filtering, control of the robot operation and fast movement interrupts.
- A probe alignment unit which improves the accuracy of the probe positioning
- A computer operating Windows 7
- DASY5 software
- Remove control with teach pendant additional circuitry for robot safety such as warning lamps, etc.
- The SAM twin phantom
- A device holder
- Tissue simulating liquid
- Dipole for evaluating the proper functioning of the system





### 5.1. Uncertainty of Inter-/Extrapolation and Averaging

In order to evaluate the uncertainty of the interpolation, extrapolation and averaged SAR calculation algorithms of the Postprocessor, DASY5 allows the generation of measurement grids which are artificially predefined by analytically based test functions. Therefore, the grids of area scans and zoom scans can be filled with uncertainty test data, according to the SAR benchmark functions of IEEE 1528. The three analytical functions shown in equations as below are used to describe the possible range of the expected SAR distributions for the tested handsets. The field gradients are covered by the spatially flat distribution f1, the spatially steep distribution f3 and f2 accounts for H-field cancellation on the phantom/tissue surface.

$$f_1(x, y, z) = Ae^{-\frac{z}{2a}} \cos^2 \left( \frac{\pi \sqrt{x'^2 + y'^2}}{2 \cdot 5a} \right)$$


$$f_2(x, y, z) = Ae^{-\frac{z}{a}} \frac{a^2}{a^2 + x'^2} \left( 3 - e^{-\frac{2z}{a}} \right) \cos^2 \left( \frac{\pi y'}{2 \cdot 3a} \right)$$

$$f_3(x, y, z) = A \frac{a^2}{\frac{a^2}{4} + x'^2 + y'^2} \left( e^{-\frac{2z}{a}} + \frac{a^2}{2(a + 2z)^2} \right)$$

### 5.2. DASY5 E-Field Probe

The SAR measurement is conducted with the dosimetric probe manufactured by SPEAG. The probe is specially designed and calibrated for use in liquid with high permittivity. The dosimetric probe has special calibration in liquid at different frequency.

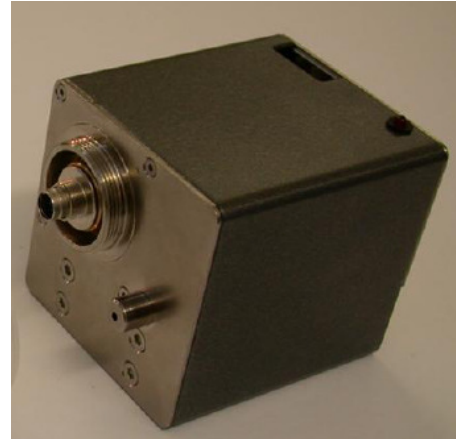
SPEAG conducts the probe calibration in compliance with international and national standards (e.g. IEEE 1528, EN 62209-1, IEC 62209, etc.) under ISO 17025. The calibration data are in Appendix D.

<b>Model</b>	EX3DV4	
<b>Construction</b>	Symmetrical design with triangular core Built-in shielding against static charges PEEK enclosure material (resistant to organic solvents, e.g., DGBE)	
<b>Frequency</b>	10 MHz to 6 GHz Linearity: ± 0.2 dB (30 MHz to 6 GHz)	
<b>Directivity</b>	± 0.3 dB in HSL (rotation around probe axis) ± 0.5 dB in tissue material (rotation normal to probe axis)	
<b>Dynamic Range</b>	10 µW/g to 100 mW/g Linearity: ± 0.2 dB (noise: typically < 1 µW/g)	
<b>Dimensions</b>	Overall length: 330 mm (Tip: 20 mm) Tip diameter: 2.5 mm (Body: 12 mm) Typical distance from probe tip to dipole centers: 1 mm	
<b>Application</b>	High precision dosimetric measurements in any exposure scenario (e.g., very strong gradient fields). Only probe which enables compliance testing for frequencies up to 6 GHz with precision of better 30%.	



### 5.3. Data Acquisition Electronics (DAE)

The data acquisition electronics (DAE) consists of a highly sensitive electrometer-grade preamplifier with auto-zeroing, a channel and gain-switching multiplexer, a fast 16 bit AD-converter and a command decoder and control logic unit. Transmission to the measurement server is accomplished through an optical downlink for data and status information as well as an optical uplink for commands and the clock. The input impedance of the DAE4 is 200M Ohm; the inputs are symmetrical and floating. Common mode rejection is above 80dB.



### 5.4. Robot

The DASY5 system uses the high precision robots TX90 XL type out of the newer series from Stäubli SA (France). For the 6-axis controller DASY5 system, the CS8C robot controller version from Stäubli is used. The XL robot series have many features that are important for our application:

- High precision (repeatability 0.02 mm)
- High reliability (industrial design)
- Jerk-free straight movements
- Low ELF interference (the closed metallic construction shields against motor control fields)
- 6-axis controller



### 5.5. Light Beam Unit

The light beam switch allows automatic "tooling" of the probe. During the process, the actual position of the probe tip with respect to the robot arm is measured, as well as the probe length and the horizontal probe offset. The software then corrects all movements, such that the robot coordinates are valid for the probe tip. The repeatability of this process is better than 0.1 mm. If a position has been taught with an aligned probe, the same position will be reached with another aligned probe within 0.1 mm, even if the other probe has different dimensions. During probe rotations, the probe tip will keep its actual position.





### 5.6. Measurement Server

The DASY5 measurement server is based on a PC/104 CPU board with a 400MHz intel ULV Celeron, 128MB chipdisk and 128MB RAM. The necessary circuits for communication with the DAE electronics box, as well as the 16 bit AD converter system for optical detection and digital I/O interface are contained on the DASY5 I/O board, which is directly connected to the PC/104 bus of the CPU board.



### 5.7. SAM Phantom

The SAM twin phantom is a fiberglass shell phantom with 2mm shell thickness (except the ear region where shell thickness increases to 6mm). It has three measurement areas:

- Left head
- Right head
- Flat phantom



The ELI4 Phantom also is a fiberglass shell phantom with 2mm shell thickness. It has 30 liters filling volume, and with a dimension of 600mm for major ellipse axis, 400mm for minor axis. It is intended for compliance testing of handheld and body-mounted wireless devices in frequency range of 30 MHz to 6GHz. ELI4 is fully compatible with standard and all known tissue simulating liquids.



The bottom plate contains three pair of bolts for locking the device holder. The device holder positions are adjusted to the standard measurement positions in the three sections. A white cover is provided to tap the phantom during off-periods to prevent water evaporation and changes in the liquid parameters. On the phantom top, three reference markers are provided to identify the phantom position with respect to the robot.

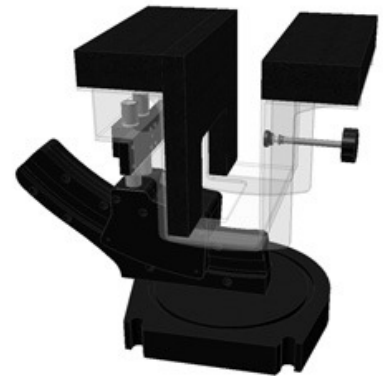


### 5.8. Device Holder

The DASY5 device holder is designed to cope with different positions given in the standard. It has two scales for the device rotation (with respect to the body axis) and the device inclination (with respect to the line between the ear reference points). The rotation center for both scales is the ear reference point (EPR). Thus the device needs no repositioning when changing the angles. The DASY5 device holder has been made out of low-loss POM material having the following dielectric parameters: relative permittivity  $\epsilon_r = 3$  and loss tangent  $\delta = 0.02$ . The amount of dielectric material has been reduced in the closest vicinity of the device, since measurements have suggested that the influence of the clamp on the test results could thus be lowered.



The laptop extension is lightweight and made of POM, acrylic glass and foam. It fits easily on upper part of the mounting device in place of the phone positioned. The extension is fully compatible with the SAM Twin and ELI phantoms.



**5.9. Test Equipment List**

Instrument	Manufacturer	Model No.	Serial No.	Cali. Due Date
Stäubli Robot TX60L	Stäubli	TX60L	5P6VA1/A/01	only once
Robot Controller	Stäubli	CS8C	5P6VA1/C/01	only once
Dipole Validation Kits	Speag	D2450V2	914	2017.05.18
SAM ELI Phantom	Speag	SAM	1211	N/A
Laptop Holder	Speag	SM LH1 001CD	N/A	N/A
Data Acquisition Electronic	Speag	DAE4	1379	2016.05.19
E-Field Probe	Speag	EX3DV4	3927	2016.05.26
SAR Software	Speag	DASY5	V5.2 Build 162	N/A
Power Amplifier	Mini-Circuit	ZVA-183W-S+	MN136701248	2016.09.02
Directional Coupler	Agilent	772D	MY52180104	2016.09.02
Spectrum Analyzer	R&S	FSP40	100324	2016.03.22
Vector Network	Agilent	E5071C	MY4631693	2016.01.14
Signal Generator	R&S	SML	103287	2016.03.08
Power Meter	BONN	BLWA0830-160/100/40D	76659	2015.11.10
AUG Power Sensor	R&S	NRP-Z91	100384	2016.03.08



## 6. The SAR Measurement Procedure

### 6.1. System Performance Check

#### 6.1.1 Purpose

1. To verify the simulating liquids are valid for testing.
2. To verify the performance of testing system is valid for testing.

#### 6.1.2 Tissue Dielectric Parameters for Head and Body Phantoms

Target Frequency (MHz)	Head		Body	
	$\epsilon_r$	$\sigma$ (S/m)	$\epsilon_r$	$\sigma$ (S/m)
150	52.3	0.76	61.9	0.80
300	45.3	0.87	58.2	0.92
450	43.5	0.87	56.7	0.94
835	41.5	0.90	55.2	0.97
850	41.5	0.92	55.2	0.99
900	41.5	0.97	55.0	1.05
915	41.5	0.98	55.0	1.06
1450	40.5	1.20	54.0	1.30
1610	40.3	1.29	53.8	1.40
1800 – 2000	40.0	1.40	53.3	1.52
<b>2450</b>	39.2	1.80	<b>52.7</b>	<b>1.95</b>
3000	38.5	2.40	52.0	2.73
5200	36.0	4.66	49.0	5.30
5600	35.5	5.07	48.5	5.77
5800	35.3	5.27	48.2	6.00

( $\epsilon_r$  = relative permittivity,  $\sigma$  = conductivity and  $\rho = 1000 \text{ kg/m}^3$ )



6.1.3 Tissue Calibration Result

The dielectric parameters of the liquids were verified prior to the SAR evaluation using DASY5 Dielectric Assessment Kit and Agilent Vector Network Analyzer E5071C.

Tissue parameter for body(2015-07-16)								
Fre. <MHz>	Ch.	Permittivity	Conductivity	Target Permittivity	Target Conductivity	Delta Permittivity %	Delta Conductivity %	Tissue Temperature °C
2450	N/A	52.71	1.94	52.70	1.95	0.00	-0.01	21.0
2412	1	52.75	1.91	52.70	1.90	0.00	0.01	21.0
2437	6	52.72	1.94	52.70	1.93	0.00	0.01	21.0
2462	11	52.69	1.97	52.70	1.97	0.00	0.00	21.0

Note: The delta permittivity and delta conductivity are within ±5%, and delta SAR value was not calculated in this report.

Refer to KDB 865664 D01 v01r04, The depth of body tissue-equivalent liquid in a phantom must be ≥ 15.0 cm with ≤ ± 0.5 cm variation for SAR measurements ≤ 3 GHz and ≥ 10.0 cm with ≤ ± 0.5 cm variation for measurements > 3 GHz.





#### 6.1.4 System Performance Check Procedure

The DASY5 installation includes predefined files with recommended procedures for measurements and the system performance check. They are read-only document files and destined as fully defined but unmeasured masks, so the finished system performance check must be saved under a different name. The system performance check document requires the SAM Twin Phantom or ELI4 Phantom, so the phantom must be properly installed in your system. (User defined measurement procedures can be created by opening a new document or editing an existing document file). Before you start the system performance check, you need only to tell the system with which components (probe, medium, and device) you are performing the system performance check; the system will take care of all parameters.

■ **The Power Reference Measurement and Power Drift Measurement** jobs are located at the beginning and end of the batch process. They measure the field drift at one single point in the liquid over the complete procedure. The indicated drift is mainly the variation of the Dipole output power. If it is too high (above  $\pm 0.2$  dB), the system performance check should be repeated;

■ **The Surface Check** job tests the optical surface detection system of the DASY5 system by repeatedly detecting the surface with the optical and mechanical surface detector and comparing the results. The output gives the detecting heights of both systems, the difference between the two systems and the standard deviation of the detection repeatability. Air bubbles or refraction in the liquid due to separation of the sugar-water mixture gives poor repeatability (above  $\pm 0.1$  mm). In that case it is better to abort the system performance check and stir the liquid;

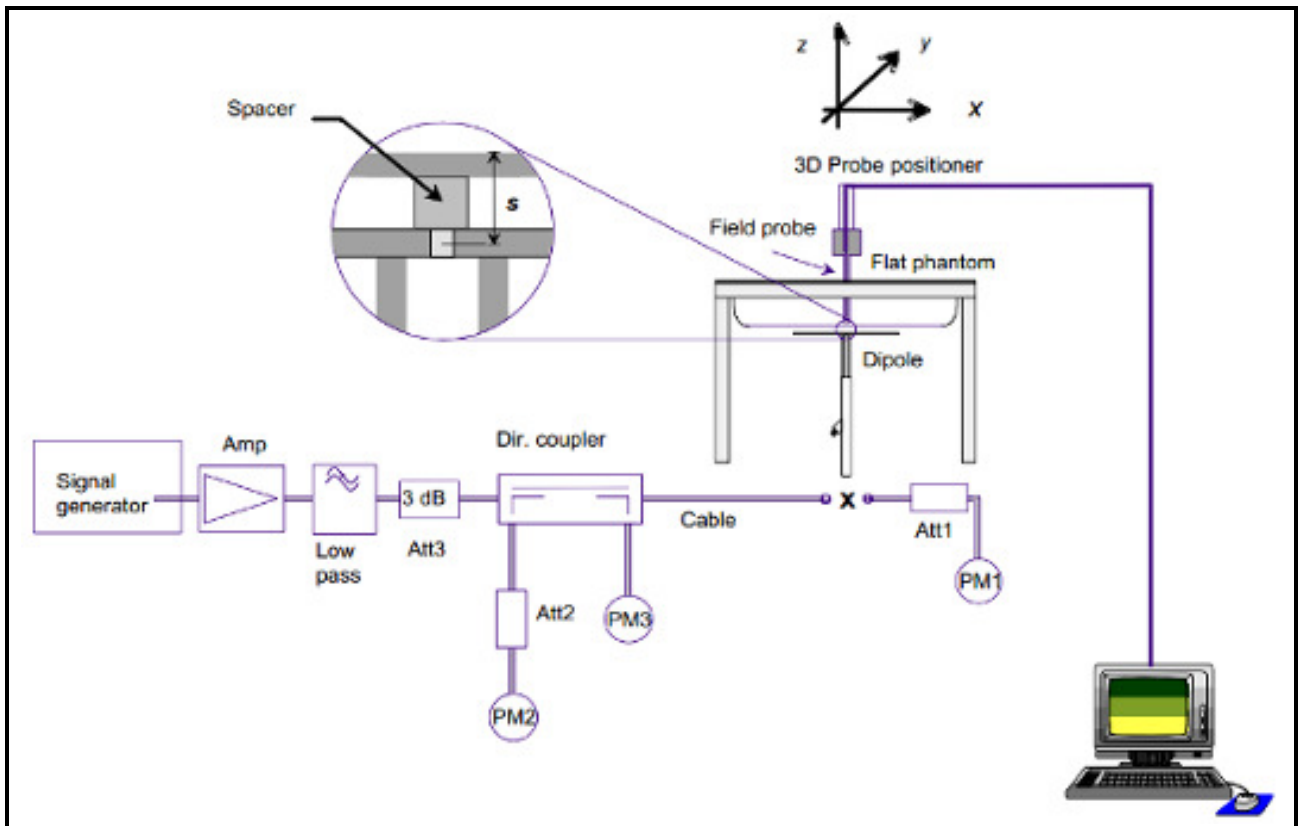
■ **The Area Scan** job measures the SAR above the dipole on a plane parallel to the surface. It is used to locate the approximate location of the peak SAR. The proposed scan uses large grid spacing for faster measurement; due to the symmetric field, the peak detection is reliable;

■ **The Zoom Scan** job measures the field in a volume around the peak SAR value assessed in the previous Area Scan job (for more information see the application note on SAR evaluation). If the system performance check gives reasonable results. The dipole input power (forward power) was 250 mW, 1 g and 10 g spatial average SAR values normalized to 1 W dipole input power give reference data for comparisons and it's equal to  $10 \times$  (dipole forward power). The next sections analyze the expected uncertainties of these values, as well as additional checks for further information or troubleshooting.



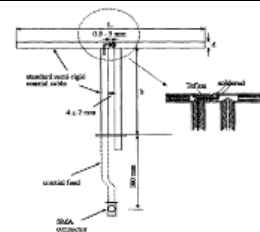


**6.1.5 System Performance Check Setup**



**6.1.6 Validation Dipoles**

The dipoles use is based on the IEEE Std.1528-2013 and FCC KDB 865664 D01 SAR Measurement 100 MHz to 6 GHz v01r04 standard, and is complied with mechanical and electrical specifications in line with the requirements of both EN62209-1 and EN62209-2. The table below provides details for the mechanical and electrical specifications for the dipoles.



**6.1.7 Result of System Performance Check: Valid Result**

System Performance Check at 2450MHz for Body.				
Validation Dipole: D2450V2- Type: SA AAD 245 BB- SN 914				
Frequency [MHz]	Description	SAR [w/kg] 1g	SAR [w/kg] 10g	Tissue Temp. [°C]
2450 MHz	Reference result ± 10% window	53.8 48.42 to 59.18	25.2 22.68 to 27.72	21.0
	16-07-2015	54	24.4	

Note: All SAR values are normalized to 1W forward power.



## 6.2. Test Requirements

### 6.2.1 Test Procedures

#### Step 1 Setup a Connection

First, engineer should record the conducted power before the test. Then establish a call in handset at the maximum power level with a base station simulator via air interface, or make the EUT estimate by itself in testing band. Place the EUT to the specific test location. After the testing, must export SAR test data by SEMCAD. Then writing down the conducted power of the EUT into the report, also the SAR values tested.

#### Step 2 Power Reference Measurements

To measure the local E-field value at a fixed location which value will be taken as a reference value for calculating a possible power drift.

#### Step 3 Area Scan

The Area Scan is used as a fast scan in two dimensions to find the area of high field values, before doing a fine measurement around the hot spot. The sophisticated interpolation routines implemented in DASY software can find the maximum locations even in relatively coarse grids. When an Area Scan has measured all reachable points, it computes the field maximal found in the scanned area, within a range of the global maximum. The range (in dB) is specified in the standards for compliance testing. For example, a 2 dB range is required in IEEE Standard 1528 and IEC 62209 standards, whereby 3 dB is a requirement when compliance is assessed in accordance with the ARIB standard (Japan). If only one Zoom Scan follows the Area Scan, then only the absolute maximum will be taken as reference. For cases where multiple maximums are detected, the number of Zoom Scans has to be increased accordingly.

#### Area Scan Parameters extracted from KDB 865664 D01v01r04

	≤ 3 GHz	> 3 GHz
Maximum distance from closest measurement point (geometric center of probe sensors) to phantom surface	5 ± 1 mm	$\frac{1}{2} \cdot \delta \cdot \ln(2) \pm 0.5$ mm
Maximum probe angle from probe axis to phantom surface normal at the measurement location	30° ± 1°	20° ± 1°
Maximum area scan spatial resolution: $\Delta x_{Area}$ , $\Delta y_{Area}$	≤ 2 GHz: ≤ 15 mm 2 – 3 GHz: ≤ 12 mm	3 – 4 GHz: ≤ 12 mm 4 – 6 GHz: ≤ 10 mm
	When the x or y dimension of the test device, in the measurement plane orientation, is smaller than the above, the measurement resolution must be ≤ the corresponding x or y dimension of the test device with at least one measurement point on the test device.	

**Step 4 Zoom Scan**

Zoom Scans are used to assess the peak spatial SAR values within a cubic averaging volume containing 1 g and 10 g of simulated tissue. The Zoom Scan measures points (refer to table below) within a cube whose base faces are centered on the maxima found in a preceding area scan job within the same procedure. When the measurement is done, the Zoom Scan evaluates the averaged SAR for 1 g and 10 g and displays these values next to the job's label.

**Zoom Scan Parameters extracted from KDB 865664 D01 v01r04**

		$\leq 3$ GHz	$> 3$ GHz	
Maximum zoom scan spatial resolution: $\Delta x_{Zoom}$ , $\Delta y_{Zoom}$		$\leq 2$ GHz: $\leq 8$ mm 2 – 3 GHz: $\leq 5$ mm*	3 – 4 GHz: $\leq 5$ mm* 4 – 6 GHz: $\leq 4$ mm*	
Maximum zoom scan spatial resolution, normal to phantom surface	uniform grid: $\Delta z_{Zoom}(n)$	$\leq 5$ mm	3 – 4 GHz: $\leq 4$ mm 4 – 5 GHz: $\leq 3$ mm 5 – 6 GHz: $\leq 2$ mm	
	graded grid	$\Delta z_{Zoom}(1)$ : between 1 <sup>st</sup> two points closest to phantom surface	$\leq 4$ mm	3 – 4 GHz: $\leq 3$ mm 4 – 5 GHz: $\leq 2.5$ mm 5 – 6 GHz: $\leq 2$ mm
		$\Delta z_{Zoom}(n>1)$ : between subsequent points	$\leq 1.5 \cdot \Delta z_{Zoom}(n-1)$	
Minimum zoom scan volume	x, y, z	$\geq 30$ mm	3 – 4 GHz: $\geq 28$ mm 4 – 5 GHz: $\geq 25$ mm 5 – 6 GHz: $\geq 22$ mm	
Note: $\delta$ is the penetration depth of a plane-wave at normal incidence to the tissue medium; see draft standard IEEE P1528-2011 for details.				
* When zoom scan is required and the <i>reported</i> SAR from the <i>area scan based 1-g SAR estimation</i> procedures of KDB 447498 is $\leq 1.4$ W/kg, $\leq 8$ mm, $\leq 7$ mm and $\leq 5$ mm zoom scan resolution may be applied, respectively, for 2 GHz to 3 GHz, 3 GHz to 4 GHz and 4 GHz to 6 GHz.				

**Step 5 Power Drift Measurements**

Repetition of the E-field measurement at the fixed location mentioned in Step 1 to make sure the two results differ by less than  $\pm 0.2$  dB.



### 6.2.2 Test Channel

Per KDB248227 D01 v02r01, channel selection procedures below apply to both the initial test configuration and subsequent test configuration(s):

- 1) 802.11a is chosen over 802.11n then 802.11ac or 802.11g is chosen over 802.11n.
- 2) The largest channel bandwidth configuration is selected among the multiple configurations in a frequency band with the same specified maximum output power.
- 3) If multiple configurations have the same specified maximum output power and largest channel bandwidth, the lowest order modulation among the largest channel bandwidth configurations is selected.
- 4) If multiple configurations have the same specified maximum output power, largest channel bandwidth and lowest order modulation, the lowest data rate configuration among these configurations is selected.
- 5) The same procedures also apply to subsequent highest output power channel(s) selection.
  - a> The channel closest to mid-band frequency is selected for SAR measurement.
  - b> For channels with equal separation from mid-band frequency; for example, high and low channels or two mid-band channels, the higher frequency (number) channel is selected for SAR measurement.



## 7. Wi-Fi/Bluetooth SAR Exclusion and Results

### 7.1. Maximum Tune-up Conducted Average Power

(Unit: dBm)

Ch.	Freq(MHz)	11b	11g	HT20	HT40
1	2412	21.5	18.5	18	--
3	2422	--	--	--	17
6	2437	22.5	18.5	18.5	18
9	2452	--	--	--	16.5
11	2462	23	17.5	17.5	--

(Unit: dBm)

Max. Bluetooth Power	3.85
----------------------	------

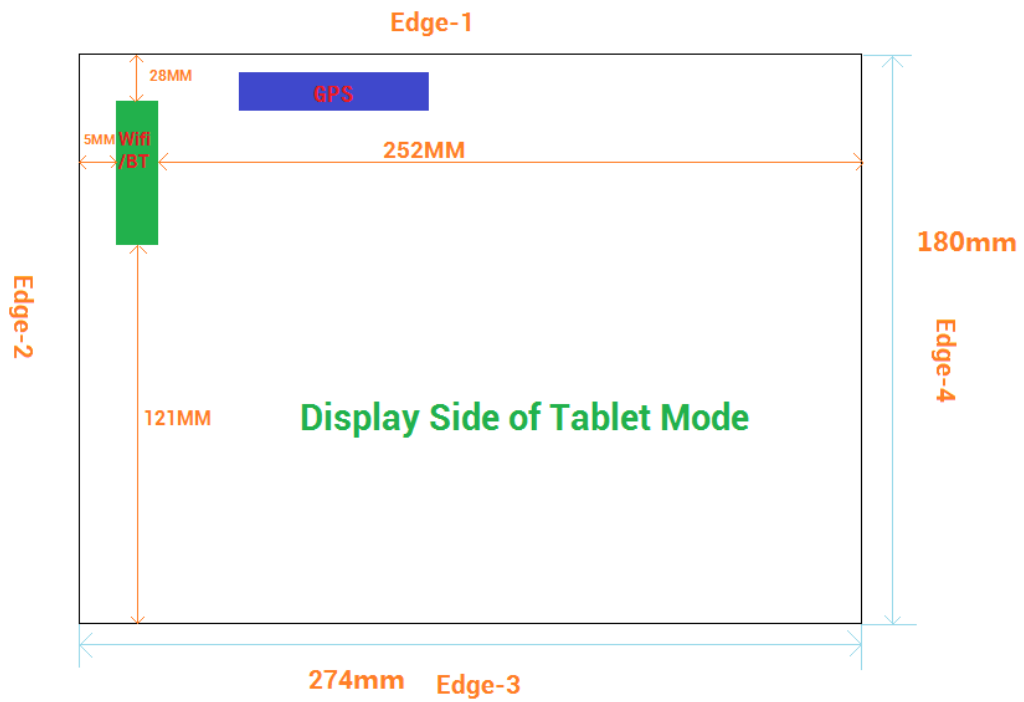
### 7.2. Measured Conducted Average Power

(Unit: dBm)

Configurations	Mode		
	Channel / Frequency (MHz)		
2.4GHz WLAN Average Power (Tx1)	802.11b		
	1/2412	6/2437	11/2462
	21.07	22.46	22.52
	802.11g		
	1/2412	6/2437	11/2462
	18.25	18.40	17.32
	802.11n(HT20)		
	1/2412	6/2437	11/2462
	17.67	18.25	17.18
	802.11n(HT40)		
	3/2422	6/2437	9/2452
	16.83	17.65	16.28



7.3. Antenna Location



Antenna	Antenna Distance to Edges(mm)				
	Back	Edge_1	Edge_2	Edge_3	Edge_4
Wifi	10	28	5	121	252



#### 7.4. SAR exclusion

Per FCC KDB 447498 D01v05r02 for 100MHz~6GHz:

1) The SAR exclusion threshold for distances<50mm is defined by the following equation:

$$\frac{\text{Max Power of Channel(mW)}}{\text{Test Separation Distance(mm)}} \times \sqrt{\text{Frequency(GHz)}} \leq 3.0 \text{ for 1-g SAR}$$

Based on the maximum conducted power and the antenna to use separation distance, Max. average output power Bluetooth are lower the  $P_{re}$ , therefore BT SAR is not required:

$$[(3.55\text{mW}/5) * \sqrt{2.441}] = 1.11 < 3.0, [(3.55\text{mW}/18) * \sqrt{2.441}] = 0.31 < 3.0, \text{ Bluetooth for Body.}$$

Test Mode	Test Separation (mm)	Thresholds (mW)	Max. Tune-up power(dBm)	Max. Tune-up power(mW)	SAR Test (Y/N)
2.45GHz WIFI	5	10	23	199.53	Y
	10	20	23	199.53	Y
	28	54	23	199.53	Y
Bluetooth	5	10	3.85	2.43	N
	10	20	3.85	2.43	N
	28	54	3.85	2.43	N

2) At test separation distances > 50 mm, the SAR test exclusion threshold is determined according to the following:

- [Power allowed at numeric threshold for 50 mm in step 1) + (test separation distance - 50mm)·( f (MHz)/150)] mW, at 100 MHz to 1500 MHz
- [Power allowed at numeric threshold for 50 mm in step 1) + (test separation distance - 50 mm)·10] mW at > 1500 MHz and ≤ 6 GHz

Test Mode	Test Separation (mm)	Thresholds (mW)	Max. Tune-up power(dBm)	Max. Tune-up power(mW)	SAR Test (Y/N)
2.45GHz WIFI	121	806	23	199.53	N
	252	2116	23	199.53	N
Bluetooth	121	806	3.85	2.43	N
	252	2116	3.85	2.43	N

**7.5. Required Edges for SAR Testing**

Test Mode	Back	Edge_1	Edge_2	Edge_3	Edge_4
2.45GHz WIFI	Yes	Yes	Yes	No	No
Bluetooth	No	No	No	No	No

**7.6. Estimated SAR**

This device contains transmitters that may operate simultaneously. Therefore simultaneous transmission analysis is required. Per FCC KDB 447498 D01v05r02, simultaneous transmission SAR test exclusion may be applied when the sum of the 1-g SAR for all the simultaneous transmitting antennas in a specific a physical test configuration is  $\leq 1.6\text{W/kg}$ . When standalone SAR is not required to be measured, per FCC KDB 447498 D01v05r02 4.3.2 2, the following equation must be used to estimate the standalone 1g SAR for simultaneous transmission assessment involving that transmitter.

$$\text{Estimated SAR} = \frac{\sqrt{f(\text{GHz})}}{7.5} * \frac{(\text{Max Power of channel, mW})}{\text{Min. Separation, mm}}$$

**Bluetooth**

Mode	Frequency	Test Position	Maximum Power	Separation Distance	Estimated SAR
Bluetooth	[MHz]	Tablet	[dBm]	[mm]	[W/kg]
	2441	Body-Back	3.85	10	0.051
		Body-Edge_1	3.85	28	0.018
		Body-Edge_2	3.85	5	0.101





## 7.7. SAR Test Results Summary

### ■ WLAN 2.4GHz

Plot No.	Band	Mode	Test Position	Dist. mm	Ch.	Fre.	Max. Tune-up Power(dBm)	Measured Conducted Power (dBm)	Scaling Factor	Power Drift(dB)	Measured SAR-1g (W/kg)	Scaled SAR-1g (W/kg)
	802.11b	CCK	Back	0	1	2412	23.0	21.07	1.09	Note 1		
01	802.11b	CCK	Back	0	6	2437	23.0	22.46	1.02	-0.16	1.11	1.137
	802.11b	CCK	Back*	0	6	2437	23.0	22.46	1.02	0.07	1.09	1.116
	802.11b	CCK	Back	0	11	2462	23.0	22.52	1.02	-0.12	1.1	1.123
	802.11b	CCK	Edge_1	0	1	2437	23.0	22.46	1.02	0.19	0.063	0.065
	802.11b	CCK	Edge_2	0	1	2437	23.0	22.46	1.02	-0.05	0.121	0.124

#### Note:

1. When the reported SAR is > 0.8 W/kg, SAR is required for that exposure configuration using the next highest measured output power channel. When any reported SAR is > 1.2 W/kg, SAR is required for the third channel; i.e., all channels require testing, per KDB248227 D01 v02r01 section 5.2.1 2), so 802.11b channel 1 SAR test is reduced.
2. When the highest reported SAR for DSSS is adjusted by the ratio of OFDM to DSSS specified maximum output power and the adjusted SAR is ≤ 1.2 W/kg, 802.11g/n OFDM SAR is not required, per KDB248227 D01 v02r01 section 5.2.2 2).
3. “\*\*”, repeated SAR is required, per KDB865664 D01 r01v04.



## 8. Simultaneous Transmission Analysis

### 8.1. Max. Simultaneous SAR

Ant	Configurations	Test Position	WLAN SAR(W/kg)	BT SAR(W/kg)	$\Sigma$ SAR(W/kg)
1	WLAN(DTS) + BT(DSS)	Body-Back	1.137	0.051	1.188
		Body-Edge_1	0.065	0.018	0.083
		Body-Edge_2	0.124	0.101	0.225
		Body-Edge_3	0.4	0.4	0.8
		Body-Edge_4	0.4	0.4	0.8

Note: An estimated SAR of 0.4 W/kg was used to determine simultaneous transmission SAR for test separation distances >50mm per 447498 D01v05r02.

### 8.2. Simultaneous Transmission Conclusion

The above numerical summed SAR results for all the worst-case simultaneous transmission conditions were below the SAR limit. Therefore, the above analysis is sufficient to determine that simultaneous transmission cases will not exceed the SAR limit and therefore no measured volumetric simultaneous SAR summation is required per FCC KDB Publication 447498 D01v05r02.

**9. Measurement Uncertainty**

Error Description	Uncert. value	Prob. Dist.	Div.	(ci) 1g	(ci) 10g	Std.Unc. (1g)	Std. nc. (10g)	(vi) v <sub>eff</sub>
<b>Measurement System</b>								
Probe Calibration	±6.0%	N	1	1	1	±6.0%	±6.0%	∞
Axial Isotropy	±4.7%	R	$\sqrt{3}$	0.7	0.7	±1.9%	±1.9%	∞
Hemispherical Isotropy	±9.6%	R	$\sqrt{3}$	0.7	0.7	±3.9%	±3.9%	∞
Boundary Effects	±1.0%	R	$\sqrt{3}$	1	1	±0.6%	±0.6%	∞
Linearity	±4.7%	R	$\sqrt{3}$	1	1	±2.7%	±2.7%	∞
System Detection Limits	±1.0%	R	$\sqrt{3}$	1	1	±0.6%	±0.6%	∞
Modulation Response	±2.4%	R	$\sqrt{3}$	1	1	±1.4%	±1.4%	∞
Readout Electronics	±0.3%	N	1	1	1	±0.3%	±0.3%	∞
Response Time	±0.8%	R	$\sqrt{3}$	1	1	±0.5%	±0.5%	∞
Integration Time	±2.6%	R	$\sqrt{3}$	1	1	±1.5%	±1.5%	∞
RF Ambient Noise	±3.0%	R	$\sqrt{3}$	1	1	±1.7%	±1.7%	∞
RF Ambient Reflections	±3.0%	R	$\sqrt{3}$	1	1	±1.7%	±1.7%	∞
Probe Positioner	±0.4%	R	$\sqrt{3}$	1	1	±0.2%	±0.2%	∞
Probe Positioning	±2.9%	R	$\sqrt{3}$	1	1	±1.7%	±1.7%	∞
Max.SAR Eval.	±2.0%	R	$\sqrt{3}$	1	1	±1.2%	±1.2%	∞
<b>Test Sample Related</b>								
Device Positioning	±2.9%	N	1	1	1	±2.9%	±2.9%	145
Device Holder	±3.6%	N	1	1	1	±3.6%	±3.6%	5
Power Drift	±5.0%	R	$\sqrt{3}$	1	1	±2.9%	±2.9%	∞
Power Scalingp	±0%	R	$\sqrt{3}$	0	0	±0%	±0%	∞
<b>Phantom and Setup</b>								
Phantom Uncertainty	±6.1%	R	$\sqrt{3}$	1	1	±3.5%	±3.5%	∞
SAR correction	±1.9%	R	$\sqrt{3}$	1	0.84	±1.1%	±0.9%	∞
Liquid Conductivity (mea.)DAK	±2.5%	R	$\sqrt{3}$	0.78	0.71	±1.1%	±1.0%	∞
Liquid Permittivity (mea.)DAK	±2.5%	R	$\sqrt{3}$	0.26	0.26	±0.3%	±0.4%	∞
Temp. unc. –ConductivityBB	±3.4%	R	$\sqrt{3}$	0.78	0.71	±1.5%	±1.4%	∞
Temp. unc. – PermittivityBB	±0.4%	R	$\sqrt{3}$	0.23	0.26	±0.1%	±0.1%	∞
<b>Combined Std. Uncertainty</b>						±11.2%	±11.1%	361
<b>Expanded STD Uncertainty(k=2)</b>						<b>±22.3%</b>	<b>±22.2%</b>	

DASY5 Uncertainty Budget, according to IEEE 1528/2011 and IEC 62209-1/2011(0.3-3GHz)

--END--

## **APPENDIX A. SAR System Verification Data**

The plots for system verification with largest deviation for each SAR system combination are shown as follows.

Date/Time: 16/07/2015

Test Laboratory: Cerpess Lab

SystemPerformanceCheck-D2450 Body

**DUT: Dipole 2450 MHz D2450V2; Type: D2450V2; Serial: D2450V2**

Communication System: CW; Frequency: 2450 MHz

Medium parameters used:  $f = 2450$  MHz;  $\sigma = 1.94$  S/m;  $\epsilon_r = 52.71$ ;  $\rho = 1000$  kg/m<sup>3</sup>

Phantom section: Flat Section; Meas. Ambient Temp (celsius) -22°C; Input power-250mW

Measurement Standard: DASYS (IEEE/IEC/ANSI C63.19-2011)

DASY Configuration:

- Probe: EX3DV4 - SN3927; ConvF(7.54, 7.54, 7.54); Calibrated: 2015/5/27;
- Sensor-Surface: 3mm (Mechanical Surface Detection), Sensor-Surface: 4mm (Mechanical Surface Detection),  $z = 1.0, 31.0$
- Electronics: DAE4 Sn1379; Calibrated: 2015/5/20
- Phantom: SAM (30deg probe tilt) with CRP v5.0; Type: QD000P40CD
- DASY52 52.8.8(1222); SEMCAD X 14.6.10(7331)

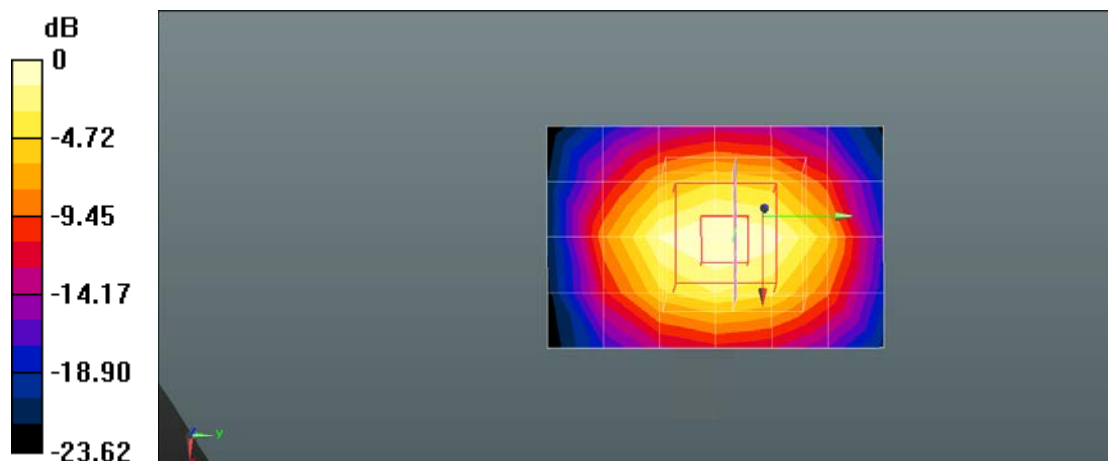
**Configuration/SystemPerformanceCheck-D2450 Body/Area Scan (5x7x1):**

Measurement grid:  $dx=12$ mm,  $dy=12$ mm, Maximum value of SAR (measured) = 17.6 W/kg

**Configuration/SystemPerformanceCheck-D2450 Body/Zoom Scan (7x7x7)/Cube 0:**

Measurement grid:  $dx=5$ mm,  $dy=5$ mm,  $dz=5$ mm, Reference Value = 91.60 V/m; Power Drift = -0.01 dB, Peak SAR (extrapolated) = 29.5 W/kg

**SAR(1 g) = 13.5 W/kg; SAR(10 g) = 6.1 W/kg** Maximum value of SAR (measured) = 15.3 W/kg



0 dB = 15.3 W/kg = 11.85 dBW/kg

## **APPENDIX B. SAR measurement Data**

The SAR plots are shown as follows.

Date/Time:16/07/2015

Test Laboratory: Cerpass Lab

DUT: Tablet PC; Type: TE70SA3

**Procedure Name: 802.11b 2437MHz Mid Body-Back**

Communication System Band: 802.11b; Frequency: 2437 MHz; Duty Cycle: 1:1

Medium parameters used:  $f = 2437$  MHz;  $\sigma = 1.94$  S/m;  $\epsilon_r = 52.72$ ;  $\rho = 1000$  kg/m<sup>3</sup>

Phantom section: Flat Section; Tissue Temp(celsius)- 21 °C

Measurement Standard: DASYS (IEEE/IEC/ANSI C63.19-2011)

DASY5 Configuration:

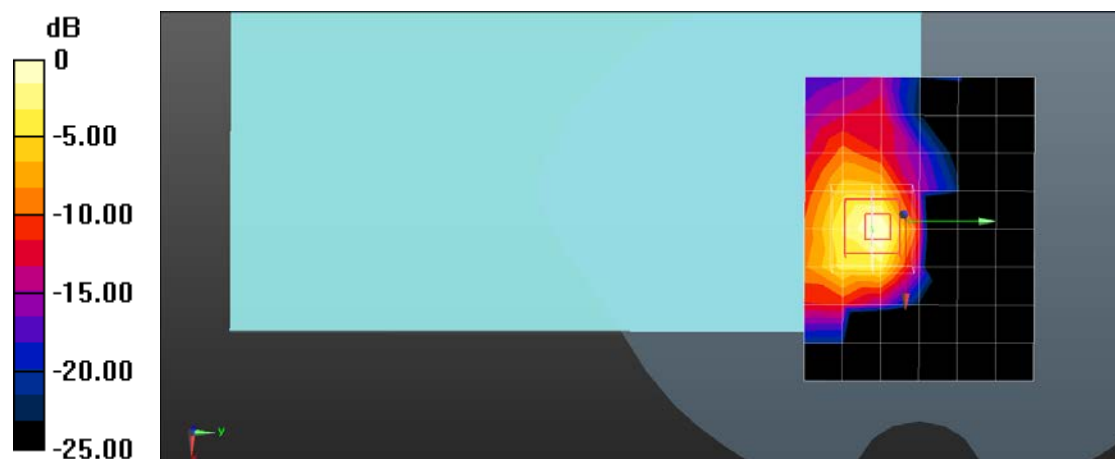
- Probe: EX3DV4 - SN3927; ConvF(7.54, 7.54, 7.54); Calibrated: 2015/5/27;
- Sensor-Surface: 4mm (Mechanical Surface Detection)
- Electronics: DAE4 Sn1379; Calibrated: 2015/5/20
- Phantom: SAM (30deg probe tilt) with CRP v5.0; Type: QD000P40CD
- Measurement SW: DASYS2, Version 52.8 (8);

**Configuration/802.11b 2437MHz Mid Body-Back/Area Scan (9x7x1):** Measurement grid: dx=15mm, dy=15mm, Maximum value of SAR (measured) = 1.35 W/kg

**Configuration/802.11b 2437MHz Mid Body-Back/Zoom Scan (5x5x7)/Cube 0:**

Measurement grid: dx=8mm, dy=8mm, dz=5mm, Reference Value = 6.874 V/m; Power Drift = -0.16 dB, Peak SAR (extrapolated) = 2.76 W/kg

**SAR(1 g) = 1.11 W/kg; SAR(10 g) = 0.457 W/kg** Maximum value of SAR (measured) = 1.13 W/kg



0 dB = 1.13 W/kg = 0.53 dBW/kg

## **APPENDIX C. Calibration Data for Probe, Dipole and DAE**

Please refer to attached files.



## **APPENDIX D. Photographs of EUT and Setup**

Please refer to attached files.