

Wireless Remote control User Manual

Model: ML-L7A

Material: 70g wood free printing paper, black Print.
Size: 553x160mm, Final Size: 110.6x160mm

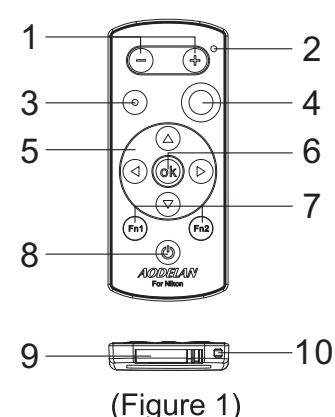
— Cutting line

- - - - - Folded line

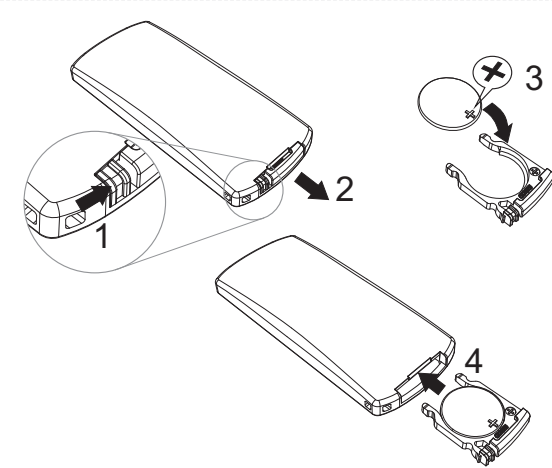
AODELAN

Wireless Remote Control
User Manual

ML-L7A



(Figure 1)



(Figure 2)

Thank you for purchasing an AODELAN product.

AODELAN Wireless Remote Control ML-L7A is compatible with Bluetooth low energy technology. You can perform remote operations such as recording movies or taking pictures by connecting the ML-L7A Remote Control and a camera.

Please read this user manual as well as the user manual provided with your camera which works with ML-L7A before use.

For your safety

Before using your product, please read the following safety precaution carefully to ensure correct and safe use.

- Do not disassemble or attempt to repair it.
- Do not use the product in the presence of flammable or explosive gas.
- The product is not waterproof. Please keep away from rain, snow and high humidity conditions.
- Do not expose the product to high temperature over 45 °C (e.g. left in a car trunk).
- Do not clean the product with organic solvent or alcohol-based liquid.
- A thorough explanation of how to use the product by an adult is required when the product is used by children. Supervise children while they are using the product.
- Consult local authorities on the proper disposal or recycling of a battery.

Declaration of Conformity USA

Product name: Wireless Remote Control
Trade name: AODELAN
Model number: ML-L7A
FCC ID: 2AEJW-MLL7A
Manufacturer: Shenzhen Aodelan Technology Co., Ltd.

FCC Statement

This equipment has been tested and found to comply with the limits for a Class B digital device, pursuant to part 15 of the FCC Rules. These limits are designed to provide reasonable protection against harmful interference in a residential installation. This equipment generates, uses and can radiate radio frequency energy and, if not installed and used in accordance with the instructions, may cause harmful interference to radio communications. However, there is no guarantee that interference will not occur in a particular installation. If this equipment does cause harmful interference to radio or television reception, which can be determined by turning the equipment off and on, the user is encouraged to try to correct the interference by one or more of the following measures:

- Reorient or relocate the receiving antenna.
- Increase the separation between the equipment and receiver.
- Connect the equipment into an outlet on a circuit different from that to which the receiver is connected.
- Consult the dealer or an experienced radio/TV technician for help.

Caution: Any changes or modifications to this device not explicitly approved by manufacturer could void your authority to operate this equipment.

This device complies with part 15 of the FCC Rules. Operation is subject to the following two conditions: (1) This device must accept any interference received, including interference that may cause undesired operation.

RF Exposure Information

The device has been evaluated to meet general RF exposure requirement. The device can be used in portable exposure condition without restriction.

RED 2014/53/EU

Declaration of Conformity EC

Hereby, **Shenzhen Aodelan Technology Co., Ltd.** declares that this product is in compliance with essential requirements and other relevant provisions of Directive 2014/53/EU. This product can be used across EU member states. A copy of the Declaration of conformity can be found at www.aodelan.net.



Parts and Functions of the Remote Control (Figure 1)

1. **button/+ button:** Performs operations such as zoom control.
2. **Status lamp:** Indicates the remote control status or shooting session status, based on the color and behavior of the lamp. See "Status Lamp on the Remote Control" for more information.
3. **Movie record button:** Starts/stops movie recording.
4. **Shutter-release button:** Functions similarly to the shutter release button on the camera.
 - Half-press and press-and-hold operations are not available.
 - When using the self-timer, you can press the button during the countdown to cancel shooting.
5. **Multi selector:** Functions similarly to the multi selector on the camera. Can be used for manual focus adjustment or item selection.
6. **(apply selection) button:** Functions similarly to the button on the camera.
7. **Fn1 button/Fn2 button:** Functions assigned to the Fn1 button/Fn2 button on the remote control via the camera can be used. (These buttons are not equivalent to the Fn buttons on the camera.)
8. **Power button:** Press the button to turn on the remote control and search for the camera that has already been paired. Keep holding down the button (for at least 3 seconds) to search for a camera that is not currently paired with the remote control. While the remote control is on, press the button to turn it off.
9. **Battery holder**
10. **Strap eyelet** (strap is included)

Front

Precautions for Use

- The functions that you can perform using the remote control may vary depending on the camera. See the manual of your camera for further details.

Installing the Battery (Figure 2)

When using the remote control for the first time, pull out the battery holder and install the battery CR2025 as shown in Figure 2 while making sure that the positive and negative sides of the battery are in the correct orientation. (If replacing the battery; pull out the battery holder and replace the battery to a new one as shown in Figure 2 while making sure that the positive and negative sides of the battery are in the correct orientation.)

Pairing the Remote Control and Camera

Before using the remote control for the first time, it must be paired with the camera. In this manual, "pairing" refers to the process of mutual authentication that is performed between Bluetooth devices to establish a connection.

1. Enable pairing on the camera.

- Network menu on the camera → Choose connection → Remote control → button → Network menu on the camera → Connection to remote → button

2. Press and hold (for at least 3 seconds) the power button on the remote control.

- Pairing starts for the remote control and camera. While the process is being performed, the status lamp on the remote control blinks quickly (twice per second).
- When pairing is complete, the remote control and camera are connected. The icon is displayed on the shooting screen of the camera.
- If a pairing failure message is displayed, perform the procedure again from step 1.
- To turn off the remote control, press the power button on the remote control.

Precautions for Use

- Only one camera can be paired with the remote control at a time.
- When another camera is paired with the remote control, the pairing information kept on the remote control is replaced by that of the newly paired camera.
- Since operations may vary depending on the camera, see the manual of your camera for further details.

Connecting to a Paired Camera

If the camera has already been paired with the remote control, a connection can be established simply by pressing the power button on the remote control. In this case, do not press and hold the button.

- Before establishing the connection, turn on the camera and select **Remote control** in **Choose connection** in the network menu.

- If the connection is not established properly, check the camera settings and turn the remote control off and back on again.
- A camera that was previously paired with the remote control needs to be paired again if another camera is paired with the remote control or if the camera settings are reset.

Auto Off Function of the Remote Control

The remote control automatically turns off in the following situations:

- When no pairing device has been detected for 1 minute
- When the wireless connection is interrupted and not restored within 1 minute
- When another device is selected as the pairing device on the camera

Press and hold the power button to try re-pairing or check the pairing settings on the camera.

Status Lamp on the Remote Control*

Color	Status	Description
Green	Blinking once per second	Remote control is searching for device that has already been paired.
Green	Blinking quickly (twice per second)	Pairing process is being performed.
Green	Blinking slowly (once per 3 seconds)	Connection is established between remote control and camera.
Orange	Blinks once	Still image shooting starts.
Orange	Blinks twice	Still image shooting ends.
Red	Blinks once	Movie recording starts.
Red	Blinks twice	Movie recording ends.

* The information may vary depending on the camera.

Specifications

Transmission method: Bluetooth Specification Version 4.2
Operating distance: Approx. 10m / 32.8 ft.
Power: 3V CR2025 lithium battery
Operating environment
 Temperature: 0°C–40°C (32°F–104°F)
 Humidity: 85% or less (no condensation)
Dimensions (W × H × D): Approx. 40.2 × 94.2 × 9.0 mm (1.6 × 3.7 × 0.4 in.)
Weight: Approx. 24 g (0.8 oz) (including battery)
Accessory: Strap x 1

Specifications and design are subject to change without notice.

Back

160 mm

553 mm