

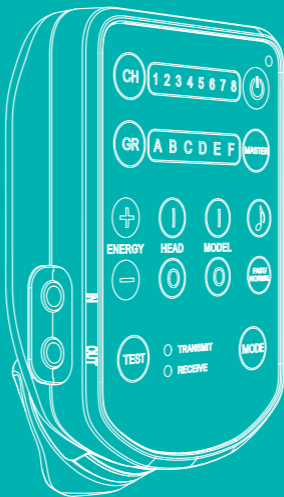
(说明书成品折叠示意图) 第1页起始位

深圳市福达斯科技有限公司

地址：深圳市宝安区龙华大道和莲华路口工业區盛德工业园B栋3楼
电话：0755-61116102/61116103 传真：0755-61116101

版 本	V0		
产品名称	Aodelan无线引闪器E2_使用说明书	日 期	2018.11.01
型号编号	5.04.048-0001	设计/绘图	王庆
材 质	封面顶底页128g双铜过哑胶,内页70g书纸/ 胶 装/四色加一专	审 核	
规 格	成品尺寸：85x108mm	核 准	
备 注	封面专色PANTONE326C		

AODELAN



Wireless Flash Trigger
无线引闪器/無線引閃器
User Manual
使用说明书/使用說明書

E2

Thank you for purchasing an AODELAN product.

AODELAN E2 is a transceiver compatible with AODELAN radio system. It can be used to wirelessly synchronize the flash lights with the camera and to remotely control any of the flash lights with built-in AODELAN radio system, including flash power control and modeling light control. E2 also features a co-channel relay function, the perfect solution for triggering a remote camera in sync with remote flash lights.

Please read this user manual as well as the user manual provided with your camera and flash light which works with E2 before use.

For your safety

Before using your product, please read the following safety precaution carefully to ensure correct and safe use.

- Do not disassemble or attempt to repair it.
- Do not use the product in the presence of flammable or explosive gas.
- The product is not waterproof. Please keep away from rain, snow and high humidity conditions.
- Do not expose the product to high temperature over 45°C (e.g. left in a car trunk).
- Do not clean the product with organic solvent or alcohol-based liquid.
- A thorough explanation of how to use the product by an adult is required when the product is used by children. Supervise children while they are using the product.
- Consult local authorities on the proper disposal or recycling of a battery.

Declaration of Conformity EC

Hereby, **Shenzhen Aodelan Technology Co., Ltd.** declares that this product is in compliance with essential requirements and other relevant provisions of Directive 2014/53/EU. This product can be used across EU member states. A copy of the Declaration of Conformity can be found at www.aodelan.net.

English



Declaration of Conformity USA

Product name: Wireless Flash Trigger

Trade name: AODELAN

Model number: E2

FCC ID: 2AEJW-E2

Manufacturer: Shenzhen Aodelan Technology Co., Ltd.

FCC Statement

This equipment has been tested and found to comply with the limits for a Class B digital device, pursuant to part 15 of the FCC Rules. These limits are designed to provide reasonable protection against harmful interference in a residential installation. This equipment generates, uses and can radiate radio frequency energy and, if not installed and used in accordance with the instructions, may cause harmful interference to radio communications. However, there is no guarantee that interference will not occur in a particular installation. If this equipment does cause harmful interference to radio or television reception, which can be determined by turning the equipment off

and on, the user is encouraged to try to correct the interference by one or more of the following measures:

- Reorient or relocate the receiving antenna.
- Increase the separation between the equipment and receiver.
- Connect the equipment into an outlet on a circuit different from that to which the receiver is connected.
- Consult the dealer or an experienced radio/TV technician for help.

Caution: Any changes or modifications to this device not explicitly approved by manufacturer could void your authority to operate this equipment.

This device complies with part 15 of the FCC Rules. Operation is subject to the following two conditions: (1) This device may not cause harmful interference, and (2) this device must accept any interference received, including interference that may cause undesired operation.

RF Exposure Information

The device has been evaluated to meet general RF exposure requirement. The device can be used in portable exposure condition without restriction.

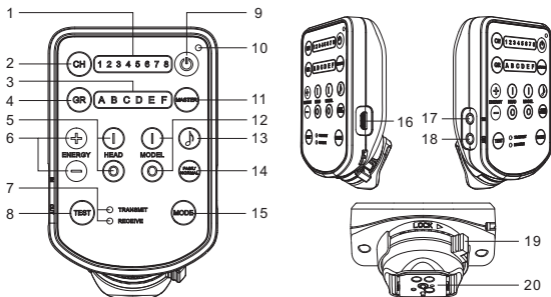
CAUTION

RISK OF EXPLOSION IF BATTERY IS REPLACED BY AN INCORRECT TYPE. DISPOSE OF USED BATTERIES ACCORDING TO THE INSTRUCTIONS.

Table of Contents

I. Parts	5
II. Getting Started	6
Installing the batteries.....	6
Turning E2 on/off.....	6
Connecting to the camera	6
III. States and Modes	8
IV. Basic Functions and Buttons	9
State and Mode Adjustment	9
Channel Selection.....	9
Group Selection.....	9
Remote Control – Head Control; Model Control; Energy Adjustment	10
Master Mode.....	10
Command Confirmation.....	11
Test Function.....	11
Fast/Normal Mode.....	11
Beep.....	11
Auto Power Off	12
Factory Settings.....	12
V. Operating Instructions	13
Remote Flash Synchronization.....	14
Release of Remote Camera	16
Relay	18
VI. Specifications	22

I. Parts (Figure 1)



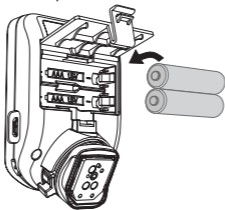
(Figure 1)

- | | |
|--|--|
| 1. Channel Indicators (1-8) | 11. Master Button |
| 2. Channel Button | 12. Model Control Buttons
(<I> Turn on, <O> Turn off) |
| 3. Group Indicators (A-F) | 13. Beeper Button |
| 4. Group Button | 14. Fast Mode Switch Button
(FAST/NORMAL) |
| 5. Head Control Buttons
(<I> Turn on, <O> Turn off) | 15. Mode Adjustment Button |
| 6. Energy Adjustment Buttons
(<+> Increase, <-> Decrease) | 16. USB Port |
| 7. Mode Indicators
(TRANSMIT, RECIEVE) | 17. In Port (3.5mm) |
| 8. Test Button | 18. Out Port (3.5mm) |
| 9. Power Button | 19. Mounting Foot Lock Lever |
| 10. Command Indicator | 20. Hot Shoe Mounting Foot |

II. Getting Started

Installing the batteries (Figure 2)

1. Open the battery cover from the back of E2.
2. Install 2 AA batteries in accordance with the illustrated direction inside the battery compartment.
3. Close the battery cover in place.



(Figure 2)

Turning E2 on/off

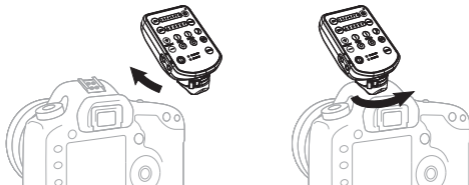
1. Turn on: Press the Power Button [9] to turn on the E2, the Channel Indicator [1] and Group Indicator [3] light up.
2. Turn off: Press and hold the Power Button [9] until all indicators light off.

Connecting to the camera

Via hot shoe (Figure 3)

1. Turn off the camera and E2.
2. Slide the Hot Shoe Mounting Foot [20] of the E2 into the camera's hot shoe mount.
3. Lock the E2 by sliding the Mounting Foot Lock Lever [19] to right until the lock lever clicks in place.
4. Turn on the camera and E2 and set the shooting mode of the camera to manual.

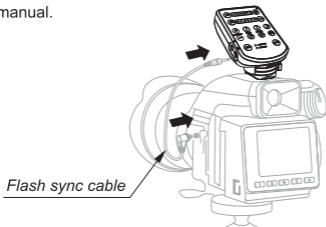
- To detach E2, press the lock-release button on the Mounting Foot Lock Lever [19] while slide the lock lever all the way back to the left, then slide the E2 out of camera's hot shoe mount.



(Figure 3)

Via flash sync cable (3.5mm – PC, sold separately) (Figure 4)

- Turn off the camera and E2.
- Insert the 3.5mm Plug of the flash sync cable into the In Port [17] of E2.
- Insert the PC Plug of the flash sync cable into the PC terminal of the camera. *
- Turn on the camera and E2 and set the shooting mode of the camera to manual.

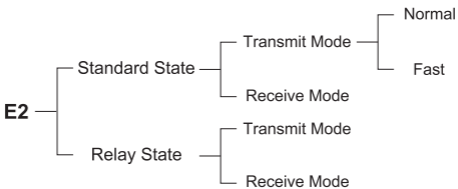


(Figure 4)

* For proper connection with the camera or flash light, consult the user manual of the actual camera or flash light at the same time.

III. States and Modes

1. The followings states and modes are available in E2.



2. Select the appropriate state and mode as described in this manual in actual use.

IV. Basic Functions and Buttons

State and Mode Adjustment

1. Press the Mode Adjustment Button [15] to set the E2 to Transmit Mode or Receive Mode.
 - Mode Indicator [7] indicates the selected mode
2. Press and hold the Mode Adjustment Button [15] for 5 seconds to enter into the Relay State or to exit and return to the Standard State.
 - Mode Indicator [7] blinks green in Standard State.
 - Mode Indicator [7] blinks red in Relay State.
 - Fast Mode is not available in Relay State.

Channel Selection

1. Channel selection is used to select one of eight specific frequencies in the 2.4GHz band.
2. Press the Channel Button [2] to select the channel.
 - The Channel Indicator [1] corresponding to the selected channel (1-8) is illuminated.

Group Selection

1. Groups are used to allow remote radio control of selected flash lights.
2. All flash lights that are assigned to the same group under the same channel will be controlled by E2 simultaneously.
3. Press the Group Button [4] to select the group.
 - The Group Indicator [3] corresponding to the selected group (A-F) is illuminated.
4. Press the Master Button [11], all Groups are selected and will be affected by the remote control commands.
 - The Group Indicators (A-F) [3] are all illuminated.

Remote Control – Head Control; Model Control; Energy Adjustment

1. E2 can remotely radio control all flash lights with built-in AODELAN radio system functionality.
2. Both the Channel and Group settings on the E2 unit must match the Channel and Group settings of the flash lights.
3. Press the Head Control Button [5] to turn on or off the flash lights.
 - <I> represents turn on.
 - <O> represents turn off.
 - When E2 is in Receive Mode, pressing the Head Control Button [5] <O> will let the Mode Indicator [7] <RECEIVE> lights up all the time, indicating the E2 has turned off its receiving functionality.
4. Press the Model Control Button [12] to turn on or off the modeling light.
 - <I> represents turn on.
 - <O> represents turn off.
5. Press the Energy Adjustment Button [6] to increase or decrease the flash output energy.
 - <+> represents increase.
 - <-> represents decrease.
 - Short press Energy Adjustment Button (< 2 seconds) to adjust the flash output energy level in 1/10 f-stop increments.
 - Long press Energy Adjustment Button (> 2 seconds) to adjust the flash output energy level in 1 f-stop increments.
 - If the energy level of any flash light in the group is in maximum or minimum position, all energy levels will remain unchanged. **

Master Mode

1. In Master mode, the same remote control command is sent to all Groups on the selected Channel.
2. Press the Master Button [11], all Groups are selected and will be affected by the remote control commands.

** See section **Command Confirmation**.

Command Confirmation

1. If the output energy of a flash light has been set to maximum or minimum level, then the flash cannot continue to increase or decrease its output energy as commanded by the E2.
2. At the point E2 will make continuous and short beeps to signal that the command was not executed.
3. The energy of all flash lights in the group will remain unchanged.

Test Function

1. When the E2 is in Transmit Mode, press the Test Button [8] to manually transmit a sync signal for remote camera shutter release or flash triggering to verify expected functionality.
2. When the E2 is in Receive Mode, press the Test Button [8] to directly release the shutter of the camera connected to E2 (Out Port[18]) or trigger the flash light connected to E2 (Out Port[18]).

Fast/Normal Mode

1. E2 delivers sync trigger signals with a very short delay. In Fast mode, the delay is even shorter.
2. Fast mode is only recommended when working with very short camera shutter times, as the battery consumption is considerably higher.
3. Press the Fast Mode Switch Button [14] to enter into Fast mode or to exit and return to the Normal mode.
 - Mode Indicator [7] <TRANSMIT> rapidly blinks green in Fast mode.
4. Fast mode is only available in Standard State Transmit Mode.

Beep

1. Press the Beeper Button [13] to turn on or off the E2 button beep.
 - There will be no beep when pressing the Beeper Button [13] to turn off the beeper.
 - There will be a long beep when pressing the Beeper Button [13] to turn on the beeper.
2. There will be a long beep when E2 is turned on regardless of whether the beeper is turned on or not.

3. Some functions are not supported in certain modes; there will be no beep when the corresponding button is pressed even if the beeper is turned on. For example, functions of energy adjustment, model control and etc. are not supported when the E2 is in Receive Mode, there will be no beep when the Energy Adjustment Button [6] or Model Control Button [12] is pressed.

Auto Power Off

1. When E2 is turned on, press the Power Button [9] and the Command Indicator [10] blinks one time (lights up for approx. 0.3 seconds), indicating that the Auto Power Off functionality is enabled, the E2 is automatically turned off after 30 minutes of inactivity.
2. When E2 is turned on, press the Power Button [9] and if the Command Indicator [10] lights up for approx. 2 seconds, indicating that the Auto Power Off functionality is disabled, the E2 will remain on until the battery is exhausted.

Factory Settings

1. Ensure that the E2 is turned off.
2. To reset the E2 to factory settings, press and hold down the Fast Mode Switch Button [14] and then press the Power Button [9] simultaneously, E2 is turned on and reset to factory settings.
3. The factory settings of E2 are – Standard State Normal Transmit Mode, Channel 1, Group A.

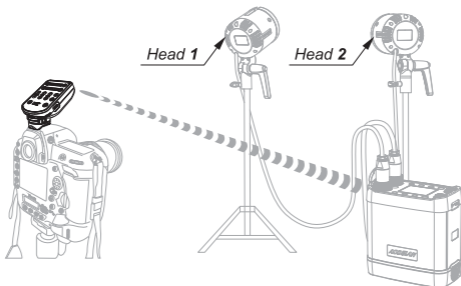
V. Operating Instructions

Precautions for Use

- Before starting all of the following operations, please turn off E2 as well as the camera and flash lights which work with E2, and turn on all units after the connection is completed.
- Unless Relay State is specially mentioned; E2 is in Normal Transmit Mode or Receive Mode under Standard State by default in all of the following operations, Mode Indicator [7] blinks green.
- E2 standard packaging is only equipped with one flash sync cable (3.5mm – 3.5mm plug); the other cables involved in the following operations are sold separately.

Remote Flash Synchronization

1. Synchronize and remotely control the flash lights with built-in AODELAN radio system. (Figure 5)



(Figure 5)

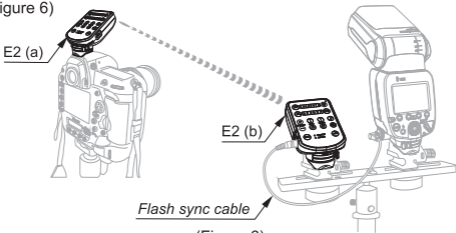
- Connect the E2 to the camera.
(Via hot shoe or flash sync cable.)
- Set the flash lights to synchronization via radio.
- Set the E2 to Transmit Mode, Indicator [7] <TRANSMIT> blinks green.
- Set the E2 and the flash lights to the same radio channel.
- Select the same group settings for all flash heads that shall be controlled simultaneously.
- Set the Group of E2 to the same as the group setting for the flash heads to be controlled, or select all groups on E2.
- Press the Test Button [8] on the E2 to verify that the flash heads fire as expected.
- Turn all flash heads in the selected group(s) on/off by pressing the

Head Control Button [5] on the E2.

- Turn the modeling light in the selected group(s) on/off by pressing the Model Control Button [12] on the E2.
- Increase/decrease the energy level of the selected group(s) by pressing the Energy Adjustment Button [6] on the E2.

2. Synchronize the flash light without built-in AODELAN radio system.

(Figure 6)



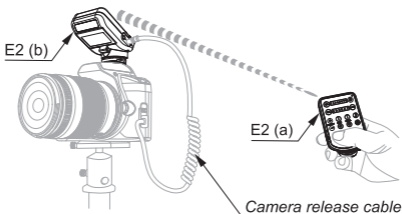
(Figure 6)

- Two E2 units are required – E2 (a) and E2 (b).
- Set E2 (a) to Transmit Mode (Mode Indicator [7] <TRANSMIT> blinks green) and connect it to the camera (via hot shoe or flash sync cable).
- Set E2 (b) to Receive Mode (Mode Indicator [7] <RECEIVE> blinks green), use a flash sync cable to connect the Out Port [18] on the E2 to the flash light's sync input socket (or PC terminal depends on the flash light) . *
- Set E2 (a) and E2 (b) to the same radio channel.
- Press the Test Button [8] on E2 (a) to verify that the flash light fires as expected.
- When working with the flash light without built-in AODELAN radio system, only sync trigger functionality is supported.

* For proper connection with the camera or flash light, consult the user manual of the actual camera or flash light at the same time.

Release of Remote Camera

3. Using E2 as a wireless shutter release. (Figure 7)



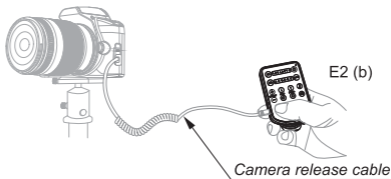
(Figure 7)

- Two E2 units are required – E2 (a) and E2 (b).
- Set E2 (b) to Receive Mode (Mode Indicator [7] <RECEIVE> blinks green), use a camera release cable corresponding to the camera in use to connect the Out Port [18] on the E2 to the remote control terminal on the camera.*
- Hand hold E2 (a) and set it to Transmit Mode (Mode Indicator [7] <TRANSMIT> blinks green).
- Set E2 (a) and E2 (b) to the same radio channel.
- Press and hold down the Test Button [8] on the handheld E2 (a) until the camera is released. ***

* For proper connection with the camera or flash light, consult the user manual of the actual camera or flash light at the same time.

*** For a single shot, set the camera to single mode. If the camera is set to continuous mode, the camera will continue shooting as long as the Test Button [8] is held down; because of a lag effect, the camera might take a few more shots after the Test Button [8] has been released. Continuous mode is recommended for shooting with 2 fps or faster.

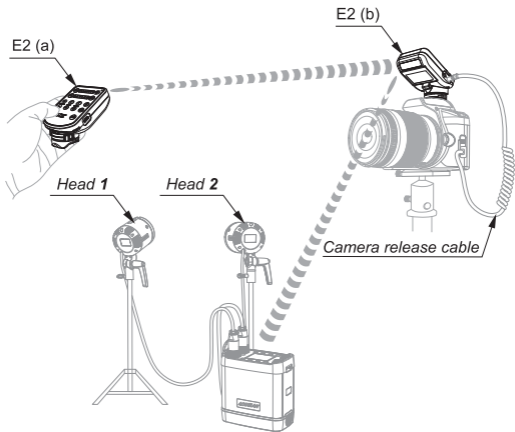
4. Using E2 as a wired shutter release. (Figure 8)



(Figure 8)

- Under the same situation as in Section 3, press and hold down the Test Button [8] on the E2(b) can also release the camera directly, to use one single E2 a wired shutter release. ***

*** For a single shot, set the camera to single mode. If the camera is set to continuous mode, the camera will continue shooting as long as the Test Button [8] is held down; because of a lag effect, the camera might take a few more shots after the Test Button [8] has been released. Continuous mode is recommended for shooting with 2 fps or faster.

Relay**5. Relay (to work with the flash lights with built-in AODELAN radio system). (Figure 9)**

(Figure 9)

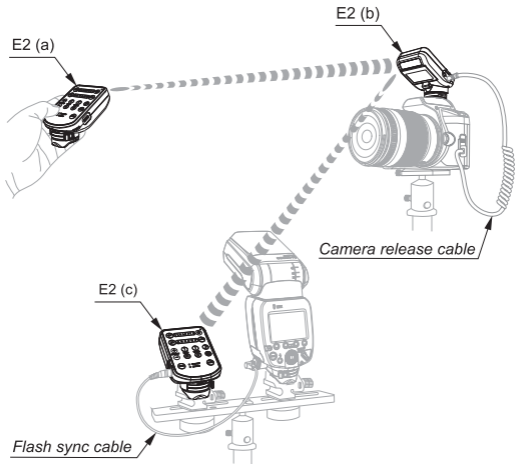
- Two E2 units are required – E2 (a) and E2 (b).
- Attach E2 (b) to the camera's hot shoe mount.
(A flash sync cable can also be used to connect the In Port [17] on the E2 (b) to the PC terminal on the camera instead of hot shoe connection.)
- Use a camera release cable corresponding to the camera in use to connect the Out Port [18] on the E2 (b) to the remote control terminal

on the camera.*

- Set the E2 (b) to Relay State Receive Mode (Mode Indicator [7] <RECEIVE> blinks red) and select a radio channel.
- Set the flash light to synchronization via radio and select the same radio channel as on E2 (b).
- Hand hold E2 (a) and set it to Relay State Transmit Mode (Mode Indicator [7] <TRANSMIT> blinks red) and select the same radio channel as on E2 (b).
- Press and hold down the Test Button [8] on the handheld E2 (a), E2 (b) will release the camera's shutter to take a picture and synchronously trigger the flash head to flash.

** For proper connection with the camera or flash light, consult the user manual of the actual camera or flash light at the same time.*

6. Relay (to work with the flash light without built-in AODELAN radio system). (Figure 10)



(Figure 10)

- Three E2 units are required – E2 (a), E2 (b) and E2 (c).
- Attach E2 (b) to the camera's hot shoe mount.
(A flash sync cable can also be used to connect the In Port [17] on the E2 (b) to the PC terminal on the camera instead of hot shoe connection.)

- Use a camera release cable corresponding to the camera in use to connect the Out Port [18] on the E2 (b) to the remote control terminal on the camera.*
- Set the E2 (b) to Relay State Receive Mode (Mode Indicator [7] <RECEIVE> blinks red) and select a radio channel.
- Use a flash sync cable to connect the Out Port [18] on the E2 (c) to the flash light's sync input socket (or PC terminal depends on the flash light). *
- Set the E2 (c) to Standard State Receive Mode (Mode Indicator [7] <RECEIVE> blinks green) and select the same radio channel as on E2 (b).
- Hand hold E2 (a) and set it to Relay State Transmit Mode (Mode Indicator [7] <TRANSMIT> blinks red) and select the same radio channel as on E2 (b).
- Press and hold down the Test Button [8] on the handheld E2 (a), E2 (b) will release the camera's shutter to take a picture and synchronously trigger E2(c) to fire the flash light.

Note: E2(c) must be set to the Standard State Receive Mode. If E2(c) is also set to the Relay State Receive Mode, E2(a) will directly trigger E2(b) and E2(c) simultaneously, the flash light will not flash in synchronization with the camera shooting, then the Relay function will not be achieved.

* For proper connection with the camera or flash light, consult the user manual of the actual camera or flash light at the same time.

VI. Specifications

Indicators

Mode Indicators [7]	State and Mode of the E2
<TRANSMIT> blinks in green	Standard State Normal Transmit Mode
<RECEIVE> blinks in green	Standard State Normal Receive Mode
<TRANSMIT> rapidly blinks in green	Standard State Fast Transmit Mode
<TRANSMIT> blinks in red	Relay State Normal Transmit Mode
<RECEIVE> blinks in red	Relay State Normal Receive Mode
<RECEIVE> keeps on in green (or red)	The receiving functionality is turned off

Command Indicator [10]	Status of E2
Lights up for approx. 0.3 seconds	Sent or received a command
Rapidly blinking	Low battery

Notes

- “Blinks” means blinks once per second.
- “Rapidly blinks” means blinks three times per second.
- When the battery is low, the three indicators – Command Indicator [10], Channel Indicator [1] and Group Indicator [3] will rapidly blink at the same time, please replace the batteries with new ones.

Frequency: 2.4 GHz

Range: Up to 200m (656ft)

Channel: 8 channels (1-8)

Group: 6 groups (A-F) and fire all groups function (Master mode)

Power: 2 x AAA batteries

Max. Sync speed: 1/250 sec****

Sync delay, Fast/Normal mode: 136us/460us

Antenna: Internal antenna

Interface: Hot shoe mounting foot x 1

3.5mm in port x 1

3.5mm out port x 1

Micro-USB B port x 1

Accessory: Flash Sync Cable (3.5mm – 3.5mm plug) x 1

Strap x 1

Dimensions: Approx. 91 x 57 x 37mm (3.6 x 2.2 x 1.2 in)

Weight: Approx. 72g (2.5 oz) (without batteries)

Specifications and design are subject to change without notice.

**** *On compatible cameras/ flashes.*