

# SUNWAVE

## INSTALLATION MANUAL



# H2

Remote Unit iDAS-R311

## HIGH POWER

Dual Band Digital Radios  
43dBm per Band  
Passive Cooling



## Revision History

Revision Number	Revision Date	Summary of Changes	Author
1.0.0	1 <sup>st</sup> November 2021	Initial Release	Shuochao Zheng

Copyright © 2022 Sunwave All rights reserved.

No part of this publication may be reproduced, transmitted, transcribed, stored in a retrieval system, or translated into any language, in any form or by any means, electronic, mechanical, photocopying, recording, or otherwise, without prior written permission from Sunwave.

All copyright, confidential information, patents, design rights, and all other intellectual property rights of whatsoever nature contained herein are and shall remain the sole and exclusive property of Sunwave. The information furnished herein is believed to be accurate and reliable.

However, no responsibility is assumed by Sunwave for its use or any infringements of patents or other rights of third parties resulting from its use.

The Sunwave and CrossFire names and logos are trademarks or registered trademarks of Sunwave.

All other trademarks are the property of their respective owners.



## Content

Overview.....5

Preface ..... 8

Safety Instructions ..... 8

    Site Considerations ..... 9

    Environmental Considerations..... 9

    DC Power Connections..... 10

    Warning Marks..... 11

    Unpacking and Inspecting..... 12

    Inspecting the Packing Container ..... 12

    Unpacking the Device ..... 12

    Verifying the Contents ..... 12

    Inspecting the Device..... 12

    Installation Preparation ..... 13

    Site Investigation..... 13

    Installation Tools..... 13

    Torque Settings ..... 13

    Clearance ..... 13

Installation of the A2..... 14

    Mount the A2 in the Rack ..... 15

        A2 Accessories..... 15

        Attach A2 Handle ..... 16

        Attach Sliding Rails and A2 to Rack..... 16

        Fan Installation..... 17

        Connect Power and Ground Cable to A2 ..... 18

    DC Power Connections..... 19

        Attach Handle to A2 ..... 19

        Mount A2 to Wall..... 19

        Connect Power and Ground Cable to A2 ..... 20

    A2 Mounting Dimension Spacing..... 20

Installation of the E2-O ..... 22

    Mount the E2-O in the Rack..... 22



# HIGH POWER

43dBm Dual Band  
Digital Radio

E2-O Accessories .....	22
Attach E2-O Handle .....	23
Attach Sliding Rails and E2-O to Rack .....	23
Connect Power and Ground Cable to E2-O .....	24
Mount the E2-O on the Wall .....	25
Attach Handle to E2-O .....	25
Mount E2-O to Wall .....	25
Connect Power and Ground Cable to E2-O .....	26
E2-O Mounting Dimension Spacing .....	27
Installation of the H2RU .....	28
Accessories List .....	28
Wall Installation (Back on the Wall) .....	29
Wall Installation (Side on the Wall) .....	34
Pole Installation .....	39
H2RU Mounting Dimension Spacing .....	40
Optical Connection .....	41
Optical Transceiver Module .....	41
Single Port Bidirectional SFP Transceiver .....	41
Dual Port SFP Transceiver .....	41
Optical Indicator .....	42
A2 Optical Port Description .....	43
E2-O Optical Port Description .....	43
RU Optical Port Description .....	45

## Overview

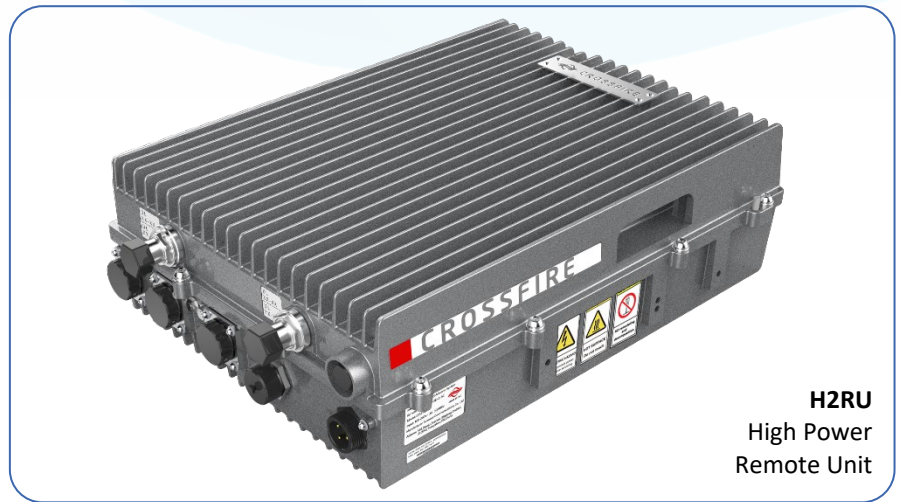
CrossFire H2 is a digital transport platform supporting cellular and wideband public safety technologies on fibre optic cable using the CPRI protocol. The power amplifier technology adopts Digital Pre-Distortion, allowing for a significant improvement in power consumption compared with analogue technology. This platform is ideal for multi-operator multi-band deployments of cellular services into large coverage areas, and as an alternative for single operator RAN solutions. The product is used in industrial environment, and doesn't support home/personal use.

## Key Features

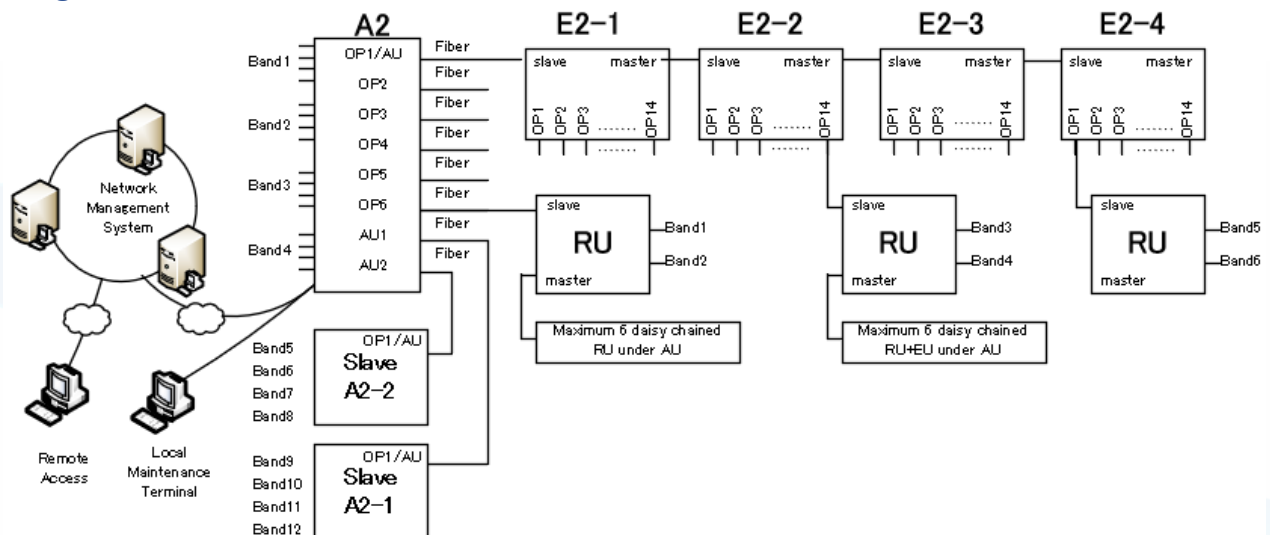
- Up to 43dBm Output Power per Band
- External Alarm Interface
- Optical cascading of E2-O's & RU's

- 2 x 3GPP Bands per Remote
- 600 to 6000MHz Range
- Up to 100MHz per Band

## System Elements



## Block Diagram





## Technical Specifications

System	
Maximum RF Bands per Access Unit	4
Maximum RF Bands per Remote Unit	2
Maximum RF Bands per System	12
Maximum Access Units per System	3 (1 x Master / 2 x Slaves)
Maximum EUs per Master A2	8
Maximum EUs cascaded	5
Maximum RUs cascaded	6
Frequency Range (Non-Contiguous)	600MHz – 6000MHz
Bandwidth per Channel (Downlink & Uplink)	≤100MHz (Contiguous)
Digital Bandwidth per Channel (Downlink & Uplink)	20 / 30 / 40 / 50 / 60 / 80 / 100 MHz
Bandwidth per System (Downlink & Uplink)	≤400MHz (in each direction)
MIMO	2x2: 1 x RU   4x4: 2 x RU   8x8: 4 x RU
System Delay Adjustment	Up to 80.00μs

Forward Path (Downlink)	
Output Power Accuracy	±2dB
Maximum Gain	43 ± 1dB
Maximum Input Power	+15dBm
Error Vector Magnitude	<3.5% @ 256 QAM <sup>1</sup>
Ripple	3dB Typical
Manual Gain Control	45dB @ 1dB/step (AU:30dB, RU:15dB)
System Delay (AU+EU+RU)	12μs
VSWR (AU/RU)	1.5:1



## Technical Specifications

### Supported Bands

Band	3GPP Band	Uplink(RX)	Downlink(TX)	Max Bandwidth
BRS/EBS	7	2620-2690	2500-2570	70

Note: The unit is MHz.

### Interfaces

Antenna Interface (All bands)	4.3-10 Female
Antenna Gain	12dBi
Access Unit RF Interface	QMA Female
Optical Connector Type	SFP+, Standard LC
Optical Transmission Rate	10.1376Gb/s
Optical Fibre Length	1.4km / 10km / 30km 0.87mi / 6.21mi / 18.64mi
Physical Alarms	DB9, Female (4x in, 4x out)
Maintenance Interface	Ethernet RJ45 / Wi-Fi / USB

### Electrical

Electromagnetic Compatibility/Interference (EMC/EMI)	3GPP TS36.113   3GPP TS25.113
Maximum Power Consumption (A2/E2-O/RU)	80W / 60W / 250W
AC Power	100-240V AC, 50/60Hz
DC Power	48VDC $\pm$ 20% (A2/E2-O)

## Technical Specifications

### Environmental

Mean Time Between Failure (MTBF)	>100,000 hours
Operating Temperature (A2/E2)	-10°C to +50°C / 14°F to +122°F
Operating Temperature (RU)	-40°C to +50°C / -40°F to +122°F
Storage Temperature	-40°C to +70°C / -40°F to +158°F
Humidity	5% to 85% (Non-Condensing)
Cooling	Passive
Installation	A2/E2: Wall or 19" Rack   RU: Wall or Pole
Ingress Protection Rating	A2/E2: IP30 (Indoor)   RU: IP65 (Outdoor)

### Mechanical

A2 (Width / Height / Depth / Weight)	440mm / 44mm / 329mm / 8.0kg 17.32in / 1.73in / 12.95in / 17.64lb
--------------------------------------	--

Contact us today:

[www.sunwave.com](http://www.sunwave.com)

[cf\\_support@sunwave.com](mailto:cf_support@sunwave.com)

# SUNWAVE

© Sunwave IM\_CF\_H2 v1.0.0 | 7 of 47




E2-O (Width / Height / Depth / Weight)	440mm / 44mm / 220mm / 5.0kg 17.32in / 1.73in / 8.66in / 11.02lb
H2RU (Width / Height / Depth / Weight) <i>excluding Bands 12, 13 &amp; 14</i>	400mm / 125mm / 300mm / 16.0kg 15.75in / 4.92in / 11.81in / 35.27lb
H2-7 (Width / Height / Depth / Weight) <i>for Bands 12, 13 &amp; 14</i>	400mm / 135mm / 300mm / 18.0kg 15.75in / 5.31in / 11.81in / 39.68lb

## Element Management

OMT (Operations and Maintenance Terminal)	Yes. Access via A2, E2 or RU (Web Based)
LMS (Local Management System)	Yes (Ordered separately)
NMS (Network Management System)	Yes (Ordered separately)

## Preface

### Safety Instructions

 All the following “Safety Precautions” must be observed during the entire installation and operation of the CrossFire system.

The CrossFire system components are designed for maximum safety and reliability when they are installed, used, and maintained by trained and qualified technicians in accordance with the procedures and instructions contained in this manual. To assure the safe operation of your system, always follow the safety and operational recommendations in this manual.

1. The shells of the device have protective ground terminals. During installation, connect the ground terminals securely to the protective building ground with yellow and green conductors or with braided ground wire. The aerial and feeder must be adequately grounded.
2. The power source must be within the required range of the device. The rated voltage range for the AC power supply system is 100 ~ 240VAC, and the rated frequency range is 50Hz / 60Hz. The rated power of the A2, E2, and H2RU is 80W, 60W, and 250W, respectively. The ground terminal of the three-core power socket used at the device installation site must be securely connected to the protective building ground.
3. To avoid injuries or damage, use care, and obtain assistance before lifting any heavy system components or equipment.
4. While fiber optic power levels used in this system are very low, it is advisable to avoid exposing the human eye to the laser light emanating from a fiber port or plug.
5. Signals coupled from the BTS shall be no greater than +15dBm, otherwise, the device will not operate normally, and damage may occur to the circuit.
6. Reserve at least 40mm of height above the radiation fins during device installation; otherwise, the device temperature may rise and affect the service life of the device.
7. Please use Shielded Twisted Pair (STP) cables for WLAN application.
8. Low path loss cables connected to antennas are highly recommended.





## Site Considerations

1. CrossFire complies with FCC RF exposure limits for an uncontrolled environment. This equipment must be installed and operated with a minimum distance of 400 cm for H2RU between the antennas and any person's body.
2. The system delay should be taken into consideration when there are neighboring BTS sites that are overlapping in coverage. Normal use of the system will not damage the base station; however, with the increase of RU during network coverage for indoor distribution, the uplink output noise level may affect the sensitivity of the base station, which should be considered during engineering design. Pick an ideal easy-to-reach location for installation convenience.
3. Pick an ideal easy-to-reach location for installation convenience.
4. Verify that there is a minimum of a 50cm radius of space around CrossFire equipment for the convenience of maintenance and on-site inspection.
5. Install CrossFire close to the service area for monitor and debugging.

## Environmental Considerations

Humidity and temperature can adversely affect reliability of the CrossFire system. Therefore, it is highly recommended to install the equipment in locations with stable humidity, temperature, and ventilating.

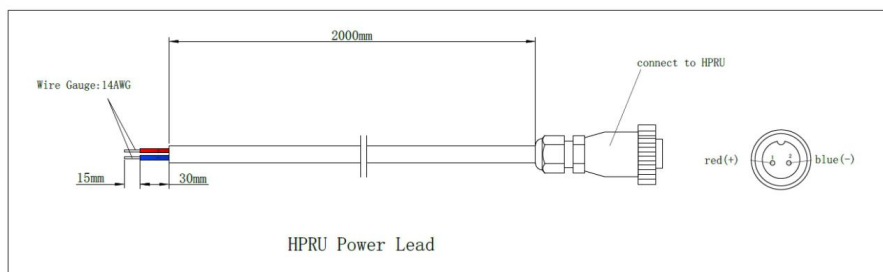
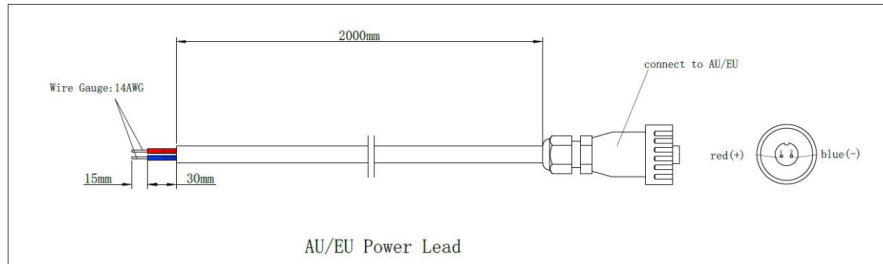
The equipment has to operate at humidity level and temperature range as follow:

- ✧ Maximum humidity: 85%
- ✧ Operating Temperature range: -10°C to +50°C
- ✧ Storage Temperature range: -25°C to +70°C

## DC Power Connections

Referring to the diagram, connect the power cables as follows:

Higher voltage wire linked to **RED** cable / Lower voltage wire linked to **BLUE** cable.



- ✧ Connect "+" to a high potential (+48VDC from a +48VDC power supply; 0VDC from a -48VDC power supply)
- ✧ Connect "-" to a low potential (0VDC from a +48VDC power supply; -48VDC from a -48VDC power supply)



Cable Core	Cable Length	Maximum Expandable Length
14AWG	2m	10m

## Warning Marks

The warning marks on the CrossFire shell should be kept clean, readable, and identifiable.



**ALWAYS** disconnect all lines and power connections before servicing or disassembling this equipment.



**NEVER** touch the surface after the device's power on.



For performance and safety reasons, **NEVER** disassemble and remodel the devices.



## Installation Preparation

### Unpacking and Inspecting

This section discusses the procedures for receiving the shipment, inspecting the packing container, unpacking, and inspecting the device.

### Inspecting the Packing Container

Handle the packing container carefully. Inspect the packing container immediately on arrival at the installation site to verify that no obvious damage occurred during shipment. Ensure that the container is sound and that the waterproof and vibration warning notices are still obvious. If possible, always inspect the equipment in the presence of the delivery person.

If any damage is observed:

1. Do not open or unpack the container.
2. Immediately contact the transportation carrier and notify them of the damage.
3. File a claim with the carrier once you determine the extent of any damage.
4. Return it to SUNWAVE's nearest RMA facility and contact SUNWAVE for RMA processing.

### Unpacking the Device

If the container appears to be in satisfactory condition:

1. Ensure both user and supplier representatives are in attendance during shipment inspection.
2. Confirm where you will store the device.
3. Ensure procedures are in place to handle the device and other equipment properly.
4. Ensure the following tools are available to unpack the shipment: hammer, paper cutter, and crowbar.
5. Open the packing container carefully. The device is contained in a protective package inside the packing container; however, caution is still necessary so as not to damage the internal package and device.
6. Remove the internal package from the packing container.
7. Unpack the device from the internal package carefully.

### Verifying the Contents

To verify the contents of the package:

1. Verify that the contents and quantities agree with the Delivery Packing List.
2. Check the device model against the Delivery Packing List.
3. Notify SUNWAVE immediately if any discrepancies are discovered, to verify whether the complete and correct shipment has been received.

### Inspecting the Device

After unpacking the device, place the device on solid ground and check the following to ensure the device has not been damaged:

#### Contact us today:

[www.sunwave.com](http://www.sunwave.com)

[cf\\_support@sunwave.com](mailto:cf_support@sunwave.com)



1. Inspect the device's appearance, overall dimensions, and weight.
2. Check that the device has not been deformed or bent in any way.
3. Check that there are no warps, scratches, bubbles, or dirt marks.
4. Check that there are no loose, missing or incorrectly fastened screws.
5. Check that the installation slots in the cabinet sub-rack are rectangular.
6. Ensure that the guide bar has not been damaged and the fittings and auxiliary parts are intact.
7. Check that the silk-screened images on the device are visible and intact.

## Installation Preparation

### Site Investigation

Before installation, the installer should contact the project director to ensure that the site is suitable for installation. Details required include information about the installation site, such as whether there is an iron tower or high mast nearby, the surrounding environmental conditions such as temperature and humidity, the power source, and so on. Installation staff should complete a site investigation with the project director before construction and conduct field observation of the installation site and the coverage area of the device, to confirm factors such as signal intensity, signal quality, the required coverage range, device location, antenna-feeder system, and power supply system.

Note: Only maintenance personnel or users who understand the reason for access and are experienced with restricted area access and understand the necessary preventive measures should access the installation site.

### Installation Tools

The following equipment and tools are required for a successful installation:

Electric percussion drill / Screwdriver / Wrench

### Torque Settings

Type	M3	M6	M10
Specified Torques	0.6Nm	5Nm	50Nm

### Clearance

You must ensure the following mounting clearances for mounting within a 19" rack/cabinet:

✧ Convection cooling:

Maintain 3U clearance between the bottom of the device and any other.

Maintain 3U clearance from the top surface of the device to the top of the rack.

✧ FAN Cooling:

You can mount the fan between the bottom of the device and any other.

Maintain 2U clearance between the bottom of the device and any other.

Contact us today:

[www.sunwave.com](http://www.sunwave.com)

[cf\\_support@sunwave.com](mailto:cf_support@sunwave.com)



# HIGH POWER

43dBm Dual Band  
Digital Radio

You must ensure the following mounting clearances for wall mounting:

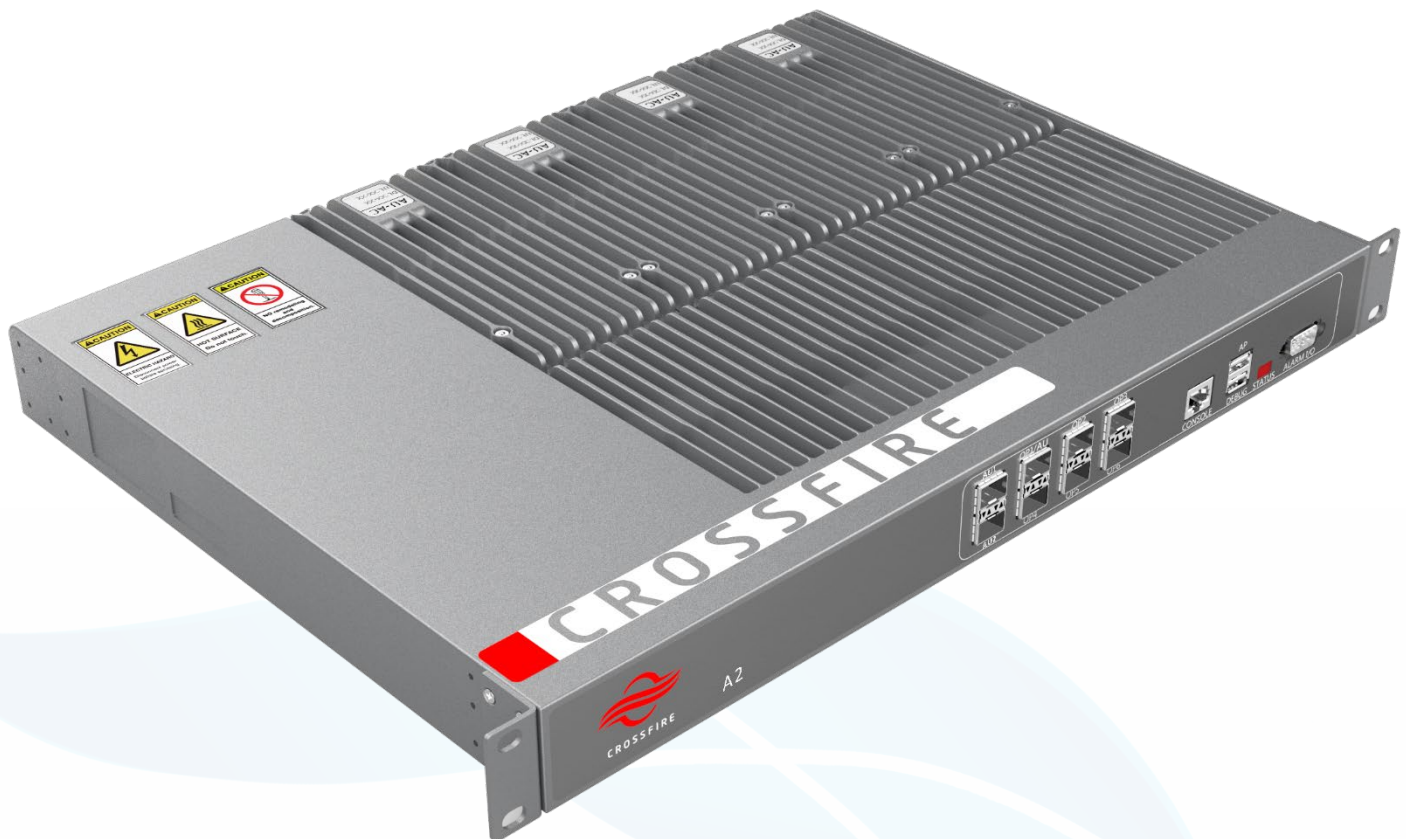
✧ Convection cooling:

Maintain 150mm clearance from the bottom of the device to any other planar obstructions.

Maintain 150mm clearance from the top of the device to any other planar.

Maintain 150mm clearance from both sides of the device to any other planar obstructions.

## Installation of the A2









Contact us today:  
[www.sunwave.com](http://www.sunwave.com)  
[cf\\_support@sunwave.com](mailto:cf_support@sunwave.com)

**SUNWAVE**

© Sunwave IM\_CF\_H2 v1.0.0 | 14 of 47

## Mount the A2 in the Rack

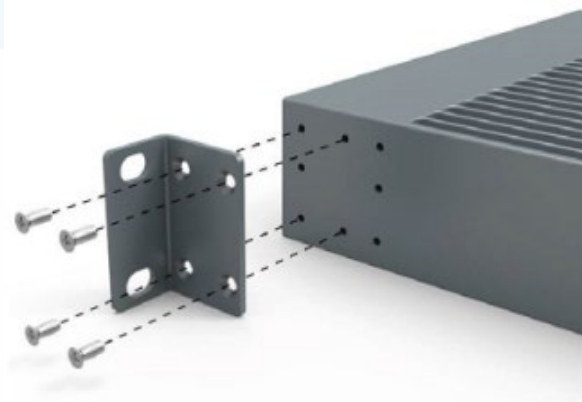
### A2 Accessories

	① Screw M6*16	② Screw M3*6
		
③ Suspension Loop	④ AC Power Lead 2.5m	
		
⑤ CAT-5Cable 1.5m	⑥ Ground Wire 2m	
		

A2 Accessories

**Note:** the ground wire of A2 is 12AWG and 2 meter in Accessories package.

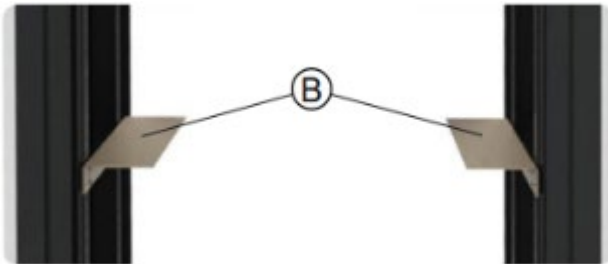
## Attach A2 Handle



Attaching a 19" Mounting Bracket

1. Attach the 19" mounting brackets at the front of the A2, using 4 screws M3×16 per bracket and the Phillips screwdriver. Observe the orientation of the brackets.

## Attach Sliding Rails and A2 to Rack



Attached Sliding Rails

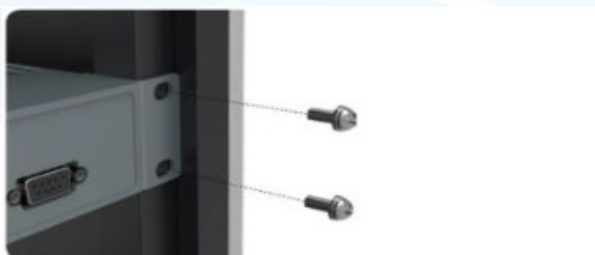
1. Attach the sliding rails (B) to the rack.

Note: the sliding rails are not included in the delivery.



Place A2 in Rack

2. Place the A2 in the rack.



Fix A2 with Screws

3. Secure the A2 using 2 screws M6×16 on both sides and the Phillips screwdriver.

Contact us today:

[www.sunwave.com](http://www.sunwave.com)

[cf\\_support@sunwave.com](mailto:cf_support@sunwave.com)





CROSSFIRE

# HIGH POWER

43dBm Dual Band  
Digital Radio

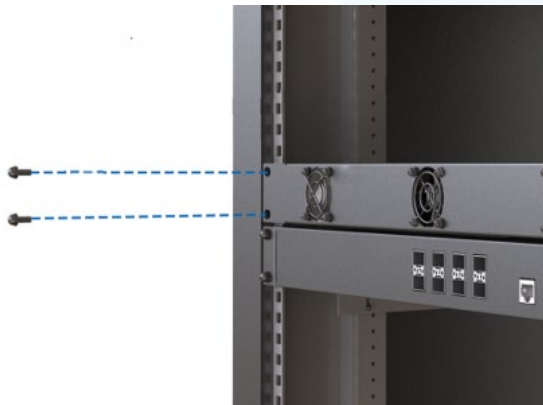


Separation of Adjacent A2

For rack installation, it is highly recommended to use a fan tray in the middle of 2 adjacent A2 for cooling.

Note: It will reduce service life if A2 is continuously working in environment of high temperature.

## Fan Installation



Fix Fan with Screws

1. Secure the Fan using 2 screws M6×16 on both sides and the Phillips screwdriver



Plug AC Power Lead

2. Plug AC power lead.



CROSSFIRE

# HIGH POWER

43dBm Dual Band  
Digital Radio



Fan DC Version

Fan DC version has power cable embedded in chassis.



DC Power Cable

Note: Red is for positive; Blue is for negative.

## Connect Power and Ground Cable to A2



Connect Power Cable at Rear Side

1. Connect and lock the power cable at the rear of the A2.



Connect Ground Cable at Rear Side

2. Connect and screw the ground wire at the rear of the A2.

Contact us today:  
[www.sunwave.com](http://www.sunwave.com)  
[cf\\_support@sunwave.com](mailto:cf_support@sunwave.com)

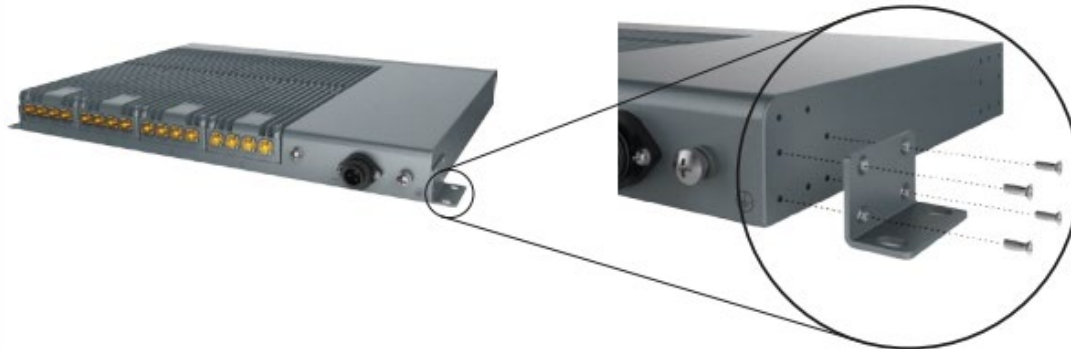
# SUNWAVE

© Sunwave IM\_CF\_H2 v1.0.0 | 18 of 47

## DC Power Connections

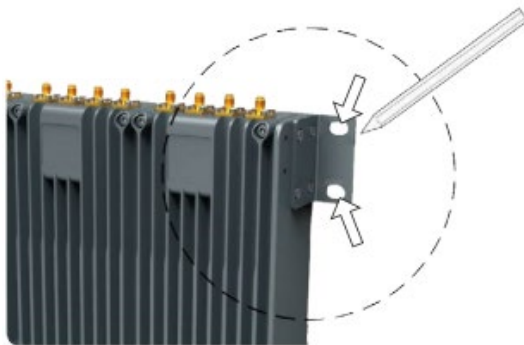
### Attach Handle to A2

Attach the 19" mounting brackets to the rear of the A2 unit, using 4 screws M3×16 per bracket and the Phillips screwdriver. Observe the orientation of the brackets shown in 0.



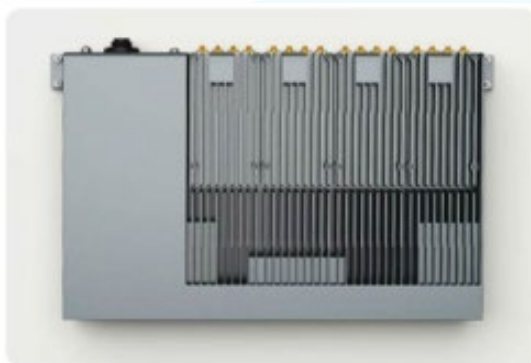
Attaching a 19" Mounting Bracket

### Mount A2 to Wall



Marking the position of mounting holes

1. Hold the A2 to the installation location and mark the position of the 4 mounting holes in the mounting brackets.
2. Drill the mounting holes according to the chosen mounting accessories.
3. Attach the dowels, expansion screws, or the similar and fasten the A2 to the wall.



Mounting completed

Contact us today:

[www.sunwave.com](http://www.sunwave.com)

[cf\\_support@sunwave.com](mailto:cf_support@sunwave.com)

## Connect Power and Ground Cable to A2



Connect power cable at the rear of the unit



Connect ground cable at the rear of the unit

1. Connect and lock the power cable at the rear of the A2.

1. Connect and screw the ground wire at the rear of the A2.

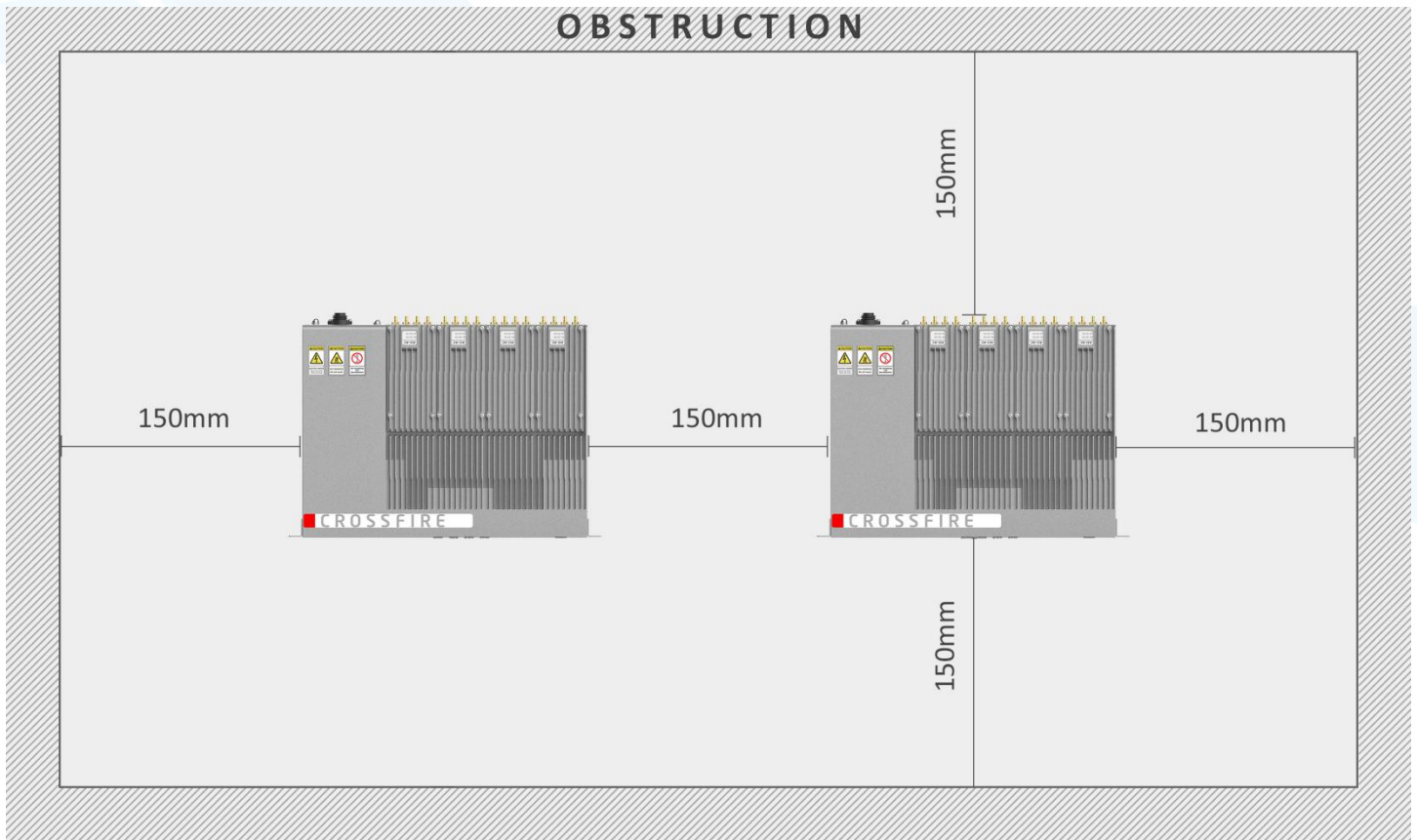
## A2 Mounting Dimension Spacing



CROSSFIRE

# HIGH POWER

43dBm Dual Band  
Digital Radio



Contact us today:  
[www.sunwave.com](http://www.sunwave.com)  
[cf\\_support@sunwave.com](mailto:cf_support@sunwave.com)

**SUNWAVE**

© Sunwave IM\_CF\_H2 v1.0.0 | 21 of 47







## Installation of the E2-O

Installing the E2-O is virtually the same as installing the A2. Please refer to the steps described in the A2 installation for the E2-O.



### Mount the E2-O in the Rack

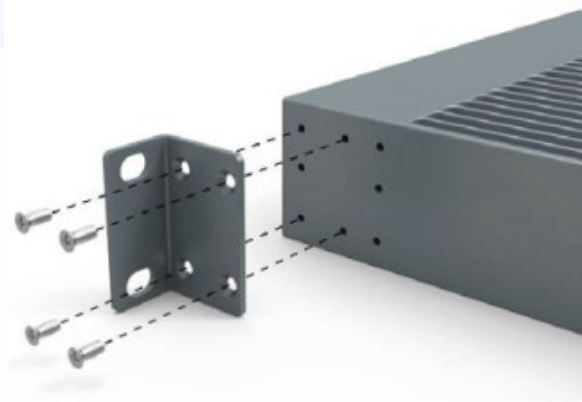
#### E2-O Accessories

	① Screw M6×16	② Screw M3×6
		
③ Suspension Loop	④ AC Power Lead 2.5m	
		
⑤ Optical Transceiver	⑥ Ground Wire 2m	
		

E2-O Accessories

**Note:** the ground wire of E2-O is 12AWG and 2 meter in Accessories package.

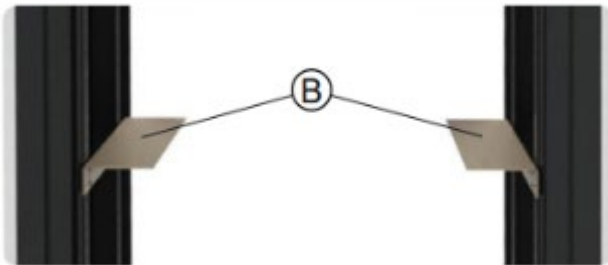
## Attach E2-O Handle



Attaching a 19" Mounting Bracket

1. Attach the 19" mounting brackets at the front of the E2-O, using 4 screws M3×16 per bracket and the Phillips screwdriver. Observe the orientation of the brackets.

## Attach Sliding Rails and E2-O to Rack



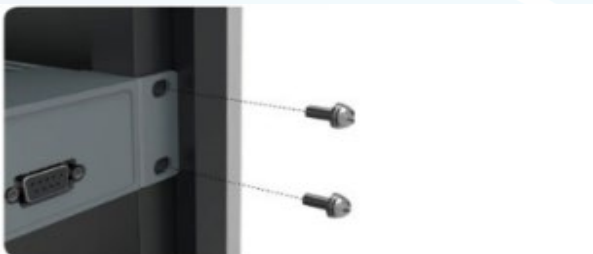
Attached Sliding Rails

1. Attach the sliding rails **B** to the rack  
  
Note: the sliding rails are not included in the delivery.



Place E2-O in Rack

2. Place the E2-O in the rack



Fix E2-O with Screws

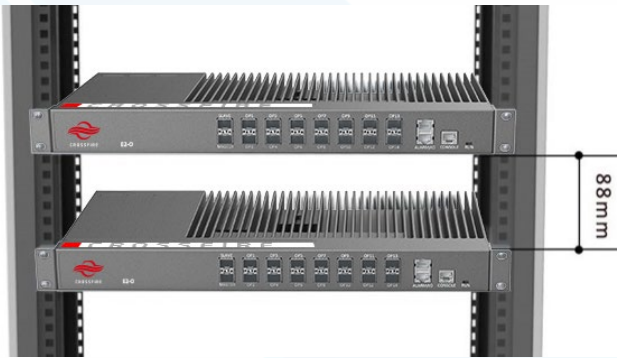
3. Secure the E2-O using 2 screws M6×16 on both sides and the Phillips screwdriver.



CROSSFIRE

# HIGH POWER

43dBm Dual Band  
Digital Radio



Separation of Adjacent E2-O

For rack installation, it is highly recommended to use a fan tray in the middle of 2 adjacent E2-O for cooling.

Keep 2U separation of 2 E2-O if there is no fan for cooling.

Note: It will reduce service life if E2-O is continuously working in environment of high temperature.

## Connect Power and Ground Cable to E2-O



Connect Power Cable at Rear Side



Connect Ground Cable at Rear Side

1. Connect and lock the power cable at the rear of the E2-O.

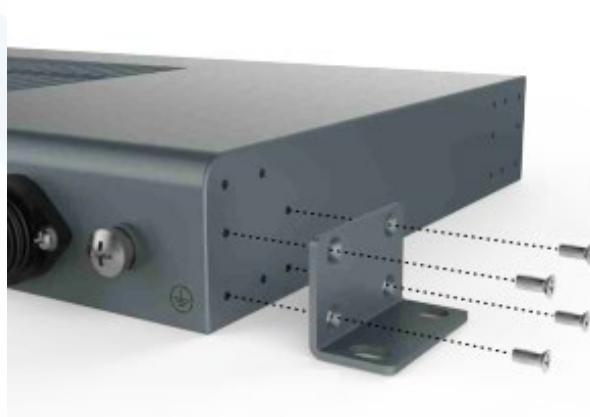
2. Connect and screw the ground wire at the rear of the E2-O.



## Mount the E2-O on the Wall

### Attach Handle to E2-O

Attach the 19" mounting brackets to the rear of the E2-O, using 4 screws M3×16 per bracket and the Phillips screwdriver. Observe the orientation of the brackets.



Attaching a 19" Mounting Bracket

## Mount E2-O to Wall



Marking the Position of Mounting Holes

1. Hold the E2-O to the installation location and mark the position of the 4 mounting holes in the mounting brackets; see arrows in 0
2. Drill the mounting holes according to the chosen mounting accessories.



Mounting Completed

1. Attach the dowels, expansion screws, or the similar and fasten the E2-O to the wall.

Contact us today:

[www.sunwave.com](http://www.sunwave.com)

[cf\\_support@sunwave.com](mailto:cf_support@sunwave.com)

## Connect Power and Ground Cable to E2-O



Connect power cable at the rear of the unit



Connect ground cable at the rear of the unit

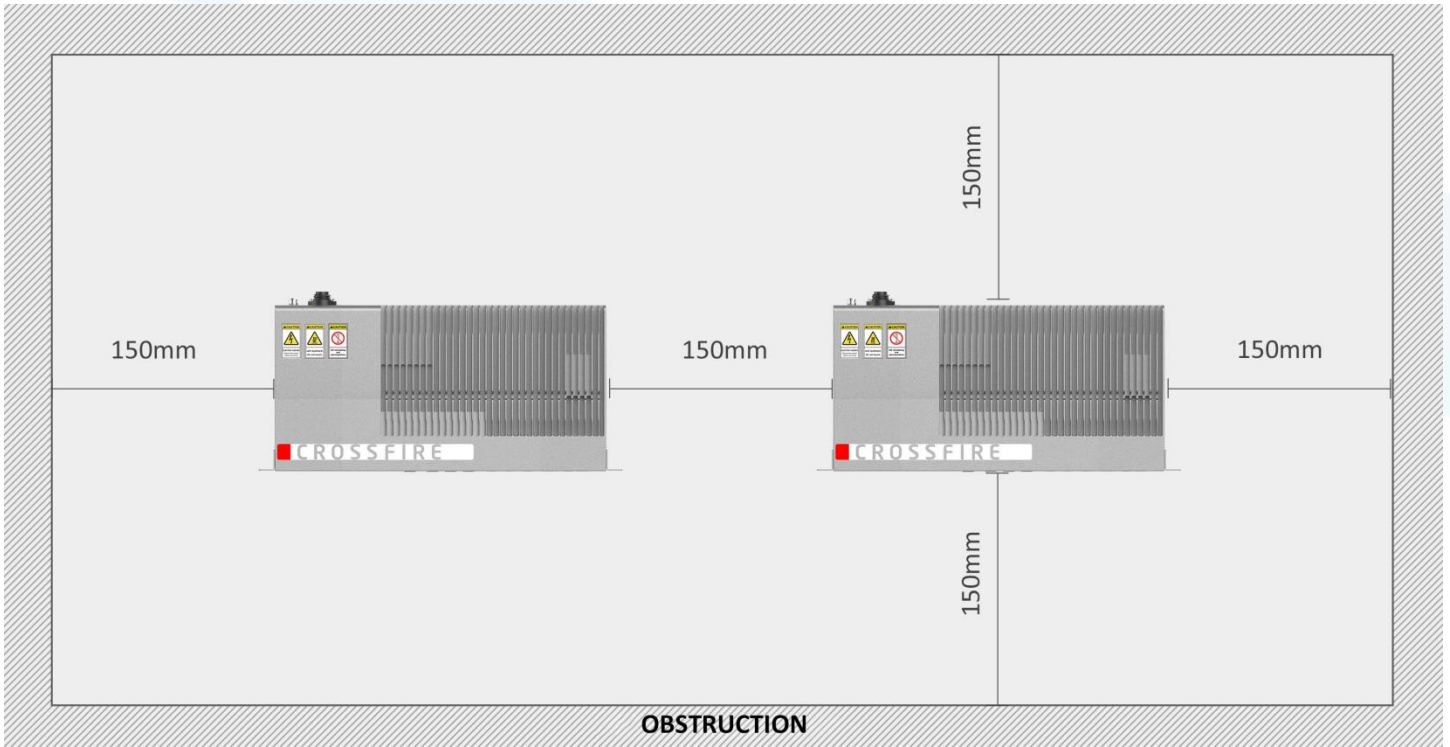
1. Connect and lock the power cable at the rear of the E2-O
2. Connect and screw the ground wire at the rear of the E2-O



# HIGH POWER

43dBm Dual Band  
Digital Radio

## E2-O Mounting Dimension Spacing



Contact us today:  
[www.sunwave.com](http://www.sunwave.com)  
[cf\\_support@sunwave.com](mailto:cf_support@sunwave.com)

**SUNWAVE**

© Sunwave IM\_CF\_H2 v1.0.0 | 27 of 47

## Installation of the H2RU

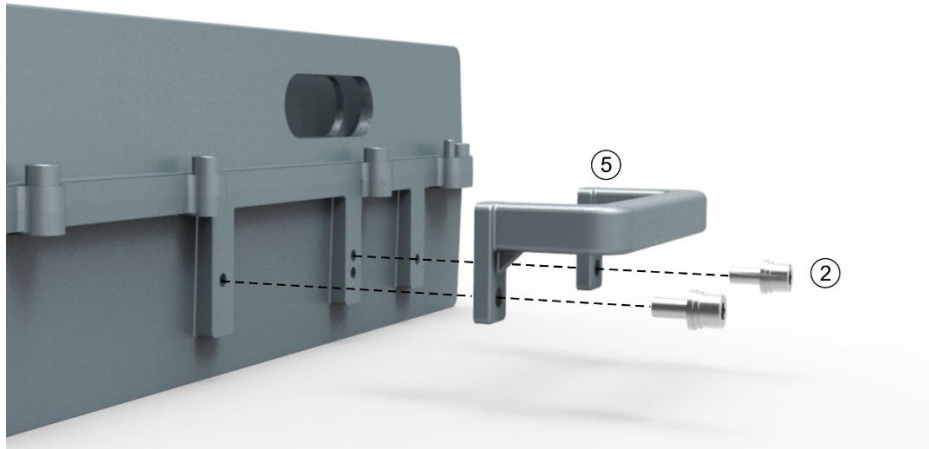


### Accessories List

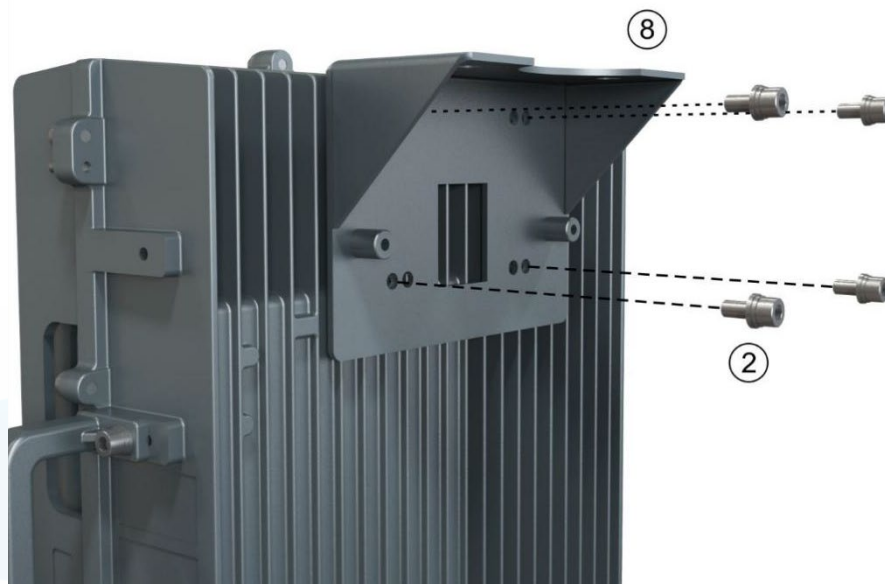
HPRU Accessories List			
① Nut M10	② Screw M6×14	③ Flat Washer M10	④ Spring Washer M10
			
⑤ Handle		⑥ Expansion Bolt M10×90	
			
⑦ Optical Transceiver FTLX2071D327 Optical Transceiver FTLX2071D333	⑧ HPRU Mounting Bracket I	⑨ HPRU Mounting Bracket II	
			
⑩ AC Power Lead 2.5m			
			
⑪ Ground Wire 2m			
			

## Wall Installation (Back on the Wall)

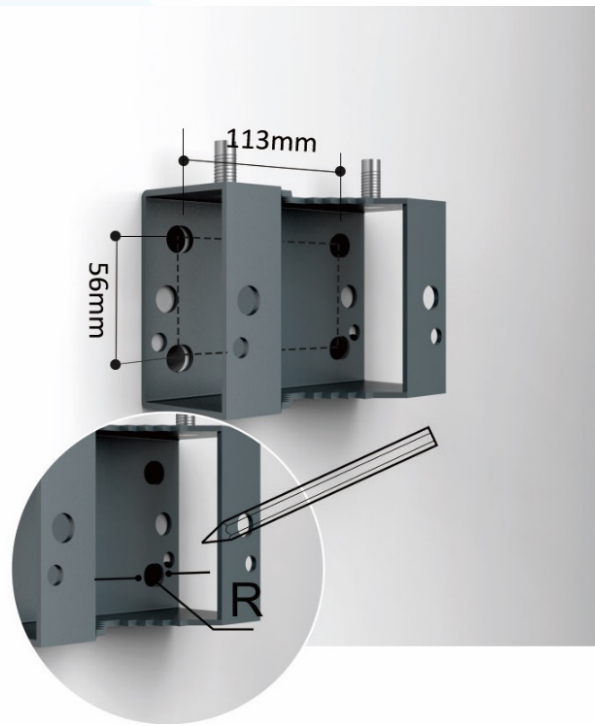
1. Attach and fasten the handle to the side of H2RU with screws M6×14 using T5 Wrench.



2. Attach and fasten the Bracket I to the back of H2RU with screws M6×14 using T5 Wrench.



3. Mark the position of the drilling holes in the mounting Bracket II. Note: R=13mm.



4. Drill 4 holes at the marked positions. Note: H=70mm



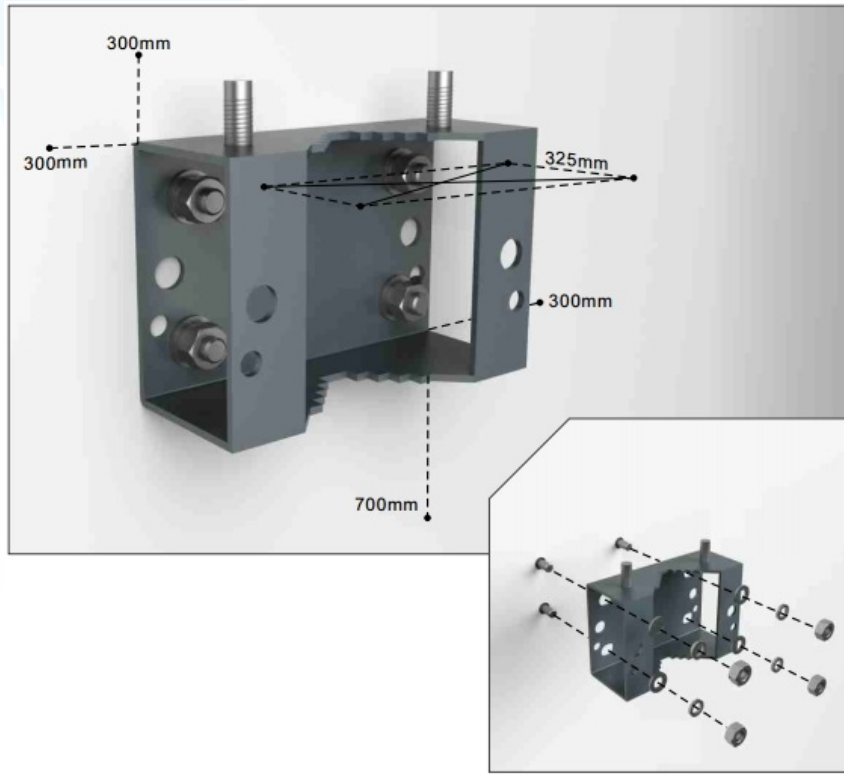
5. Attach the dowels, expansion screws or the like and fasten the Bracket II to the wall.

**Contact us today:**

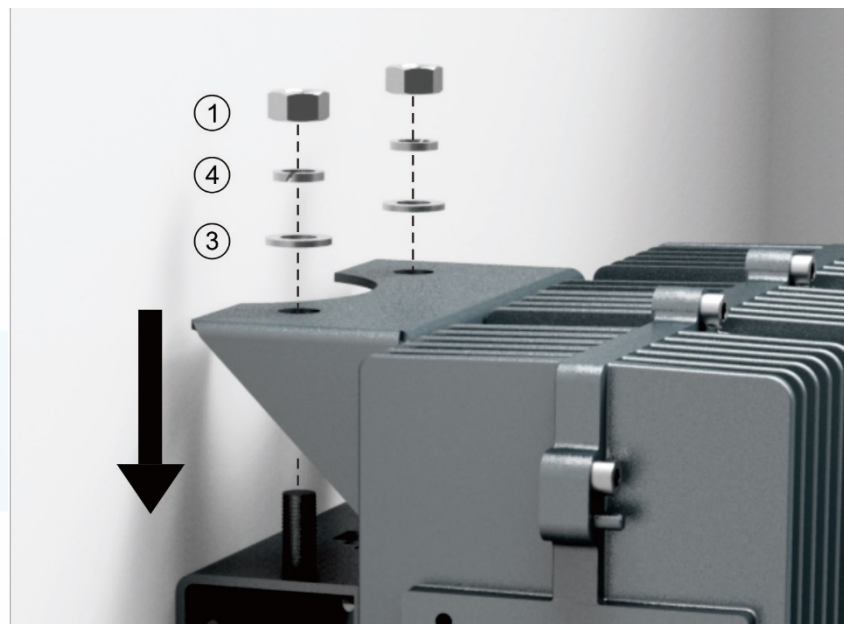
[www.sunwave.com](http://www.sunwave.com)

[cf\\_support@sunwave.com](mailto:cf_support@sunwave.com)

Tips: use Bracket II as a reference to control each devices' separation distance before hanging and locking H2RU up.



6. Hang the H2RU on the mounting bracket II and fasten with nuts M10.



7. Fasten the Bracket I and II with screws M6×14.

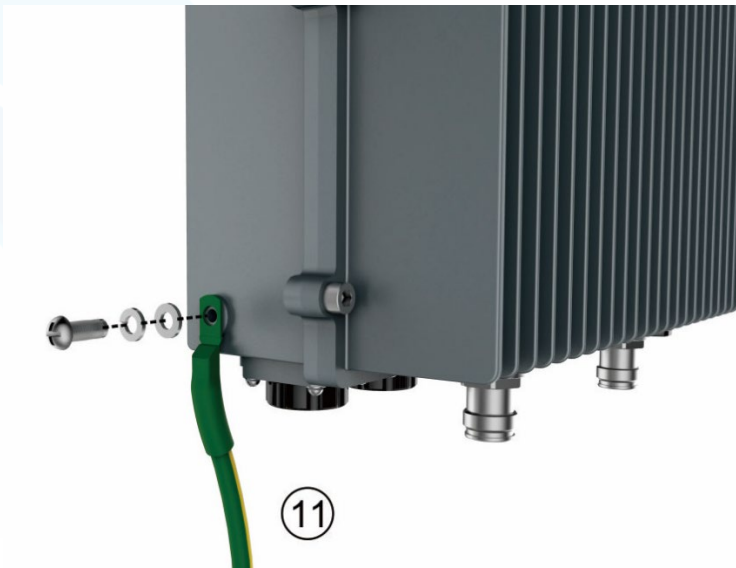


8. Connect and lock the power cable at the H2RU rear side



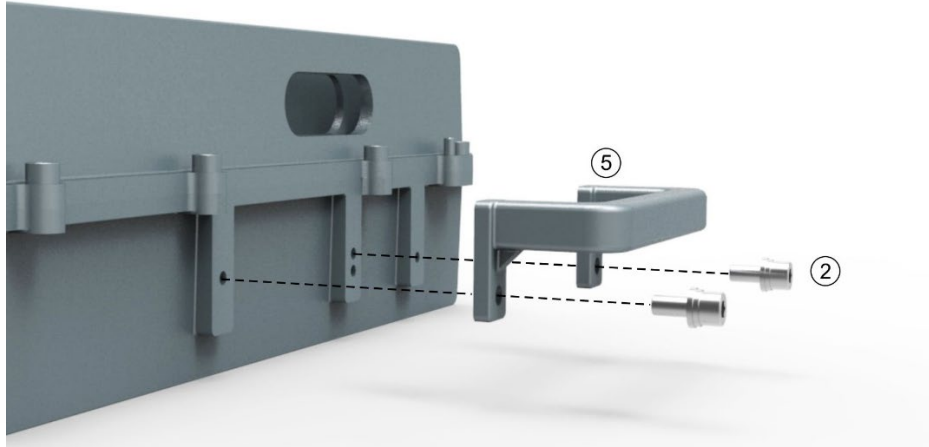


9. Connect and screw the ground cable at the H2RU's left side

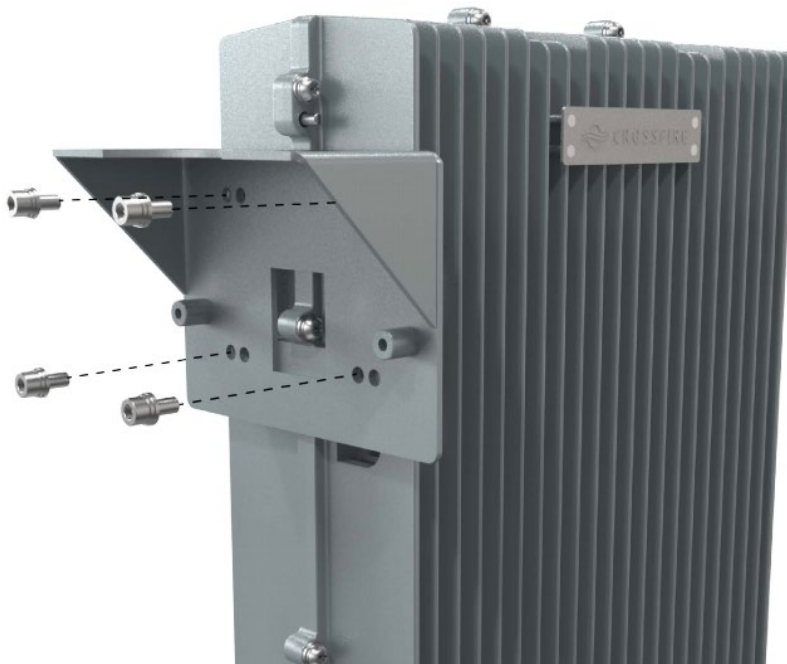


## Wall Installation (Side on the Wall)

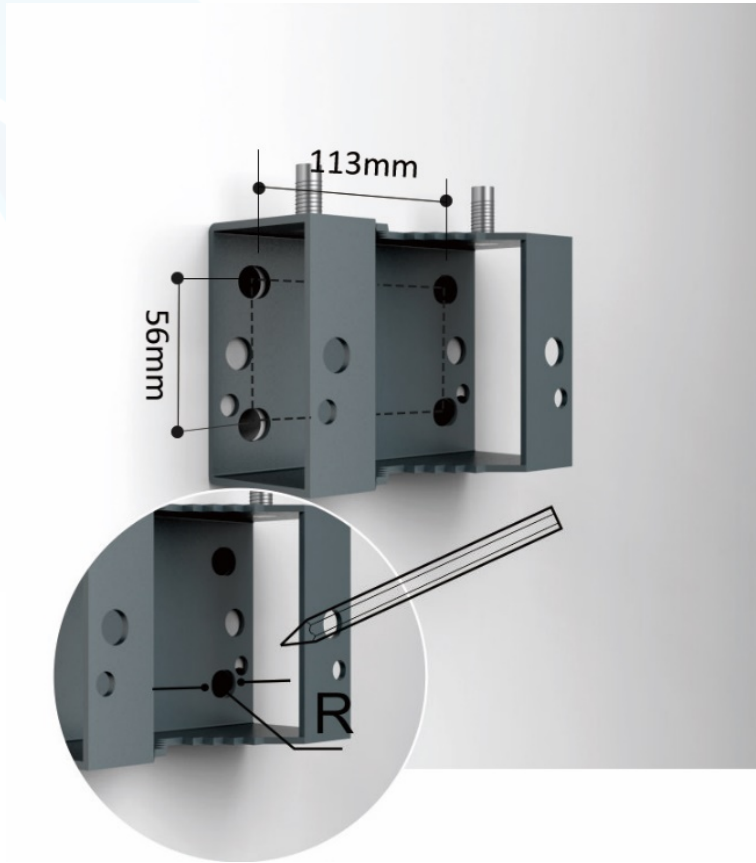
1. Attach and fasten the handle to the side of H2RU with screws M6×14 using T5 Wrench.



2. Attach and fasten the Bracket I to the left side of H2RU with screws M6×14 using T5 Wrench.



3. Mark the position of the drilling holes in the mounting Bracket II. Note: R=13mm.

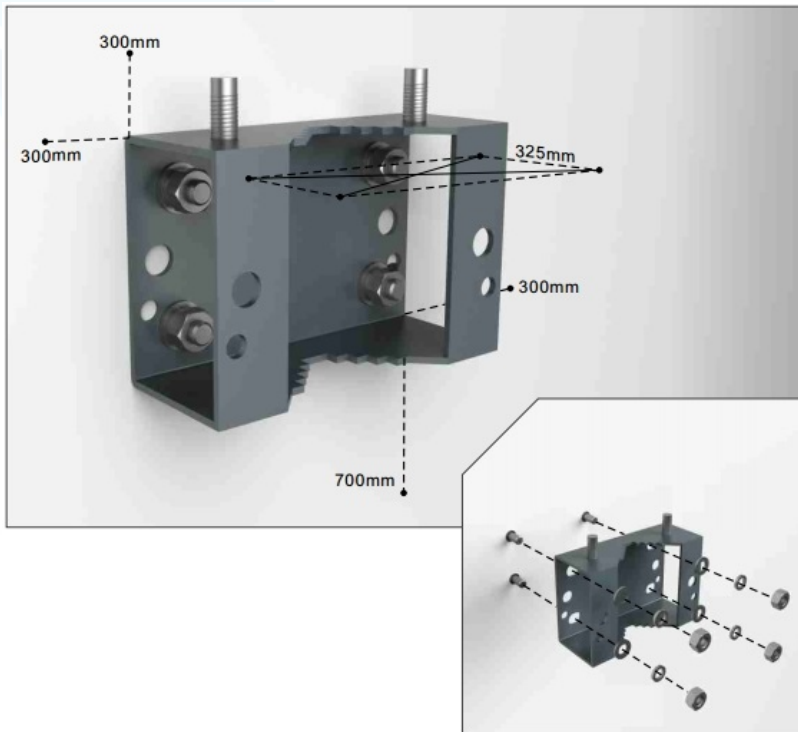


4. Drill 4 holes at the marked positions. Note: H=70mm.



5. Attach the dowels, expansion screws or the like and fasten the Bracket II to the wall.

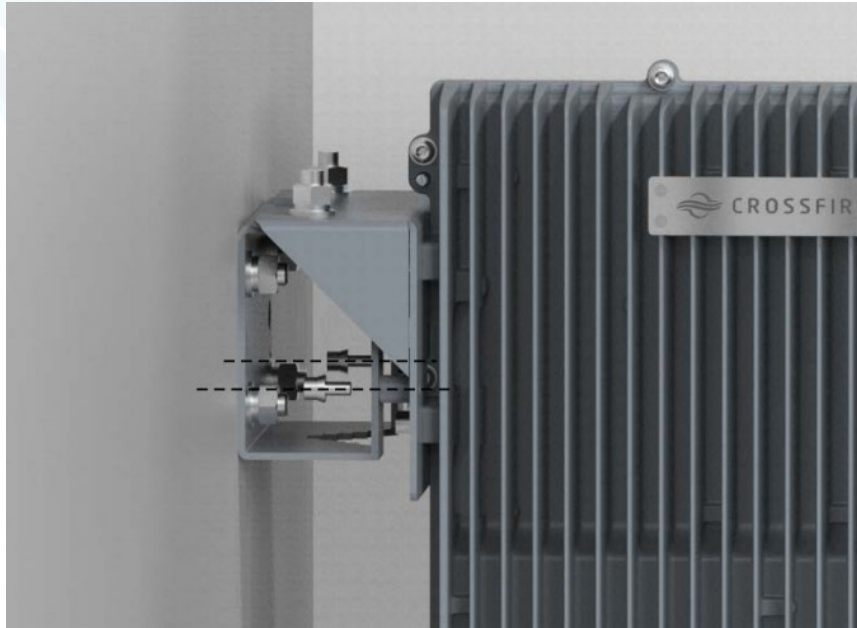
Tips: use Bracket II as a reference to control each devices' separation distance before hanging and locking H2RU up.



6. Hang the H2RU on the mounting bracket II and fasten with nuts M10.



7. Fasten the Bracket I and II with screws M6×14.



8. Connect and lock the power cable at the H2RU rear side

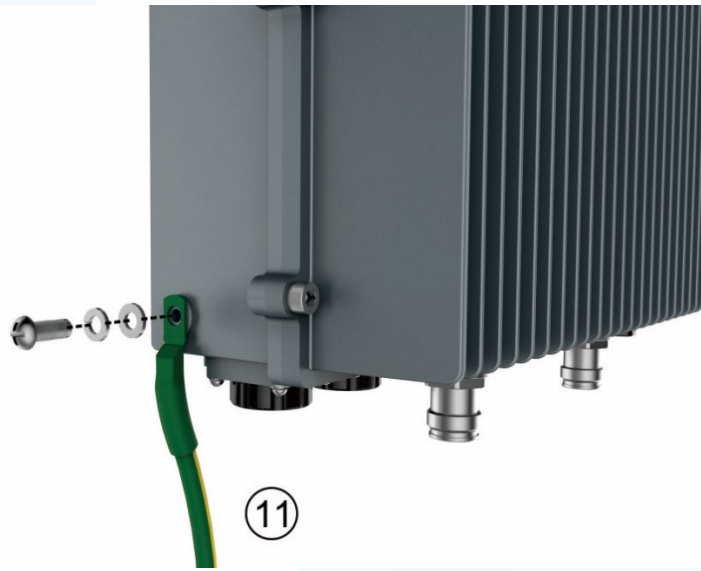


9. Connect and screw the ground cable at the H2RU left side.



# HIGH POWER

43dBm Dual Band  
Digital Radio




Contact us today:  
[www.sunwave.com](http://www.sunwave.com)  
[cf\\_support@sunwave.com](mailto:cf_support@sunwave.com)

# SUNWAVE

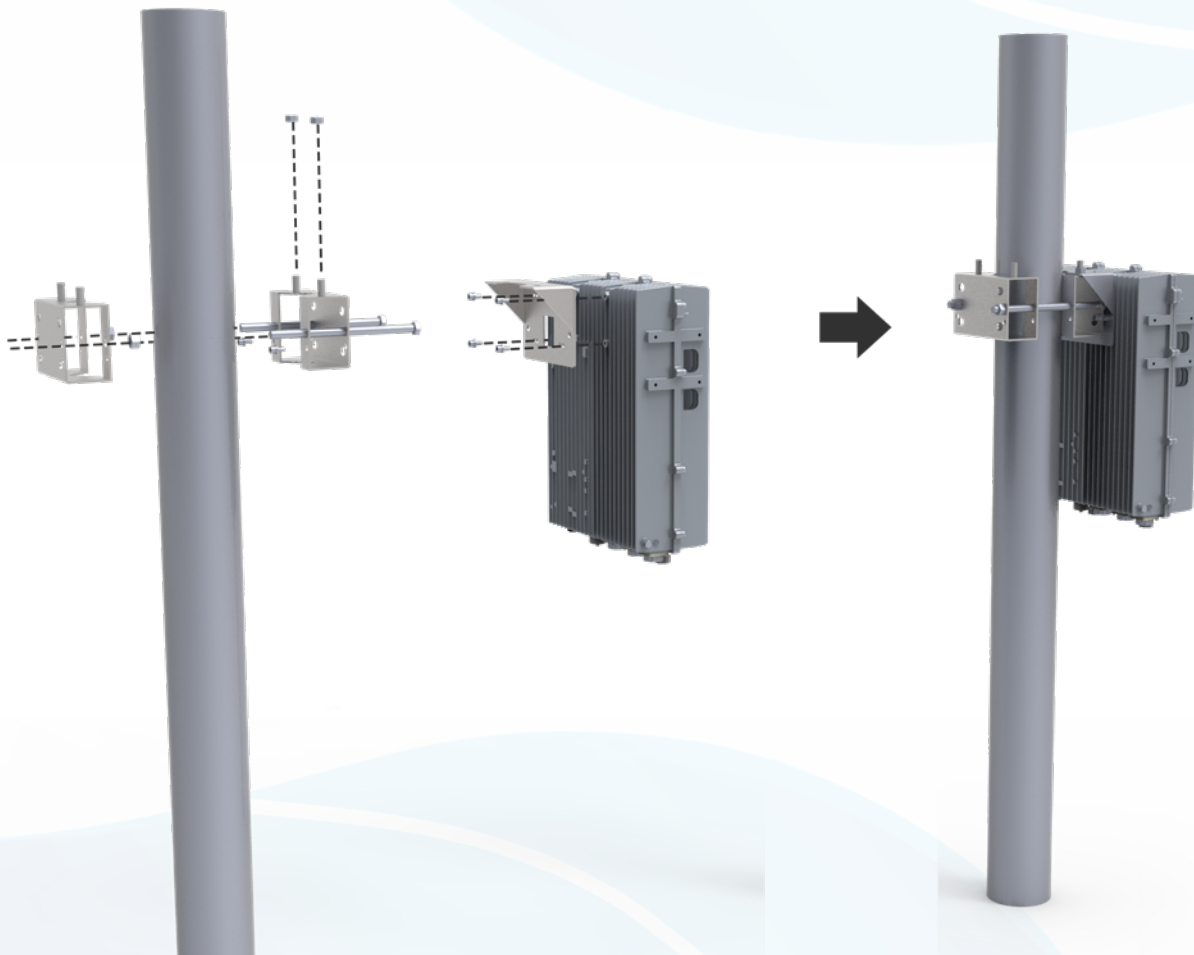
© Sunwave IM\_CF\_H2 v1.0.0 | 38 of 47

## Pole Installation

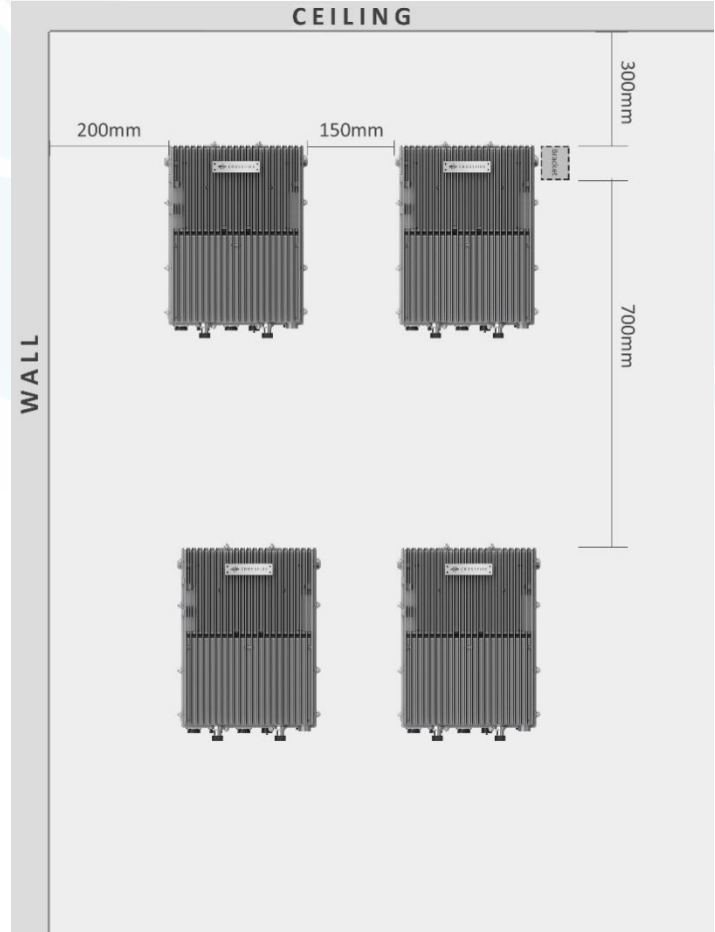
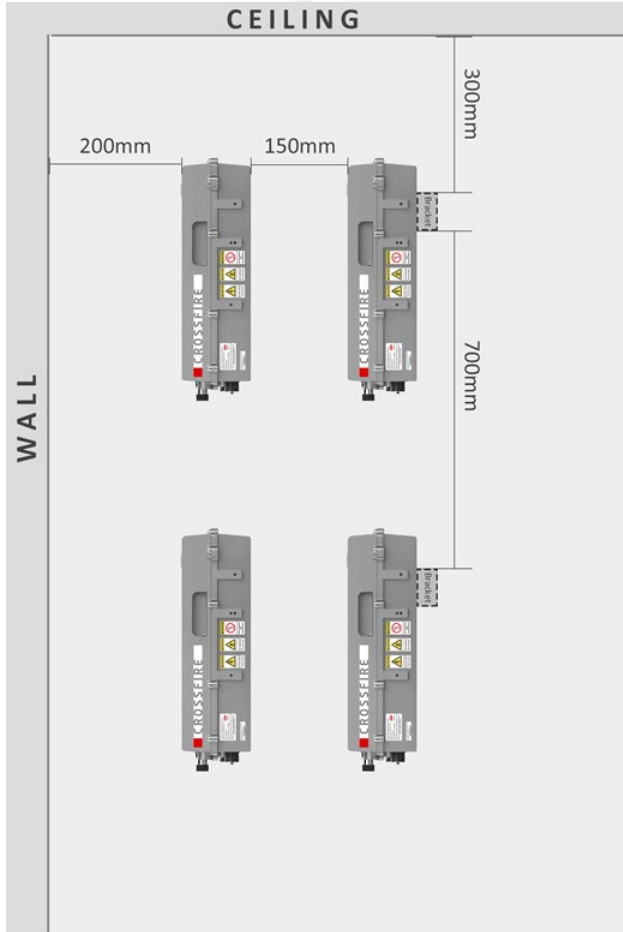
1. Install the handle and Bracket I to the back of H2RU.
2. Install the bracket II and Bracket III to the pole.
3. Hang the H2RU on the mounting bracket and fasten with nuts M10.
4. Connect the ground cable and power cable.

 Extra accessories are required for pole installation and purchased separately.

Note: The diameter of Pole shall not be over 110mm or less than 55mm.



## H2RU Mounting Dimension Spacing





## Optical Connection


### Optical Transceiver Module

#### Single Port Bidirectional SFP Transceiver

The Figure below shows a pair of single port Bidirectional SFP transceivers. For devices optical connection, the transceivers of two sides must be paired - the wavelength of one side is 1271nm, and the wavelength of another side is 1331nm. Otherwise, it will fail the connection. All lower-level devices under this port won't be working in the system.

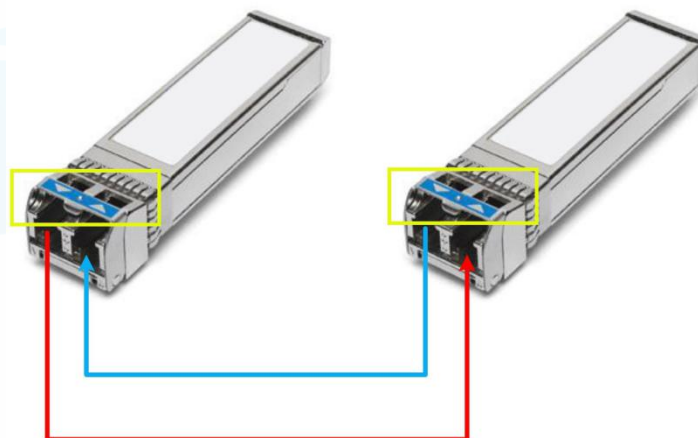
All the optical ports of all type devices have triangle LED indicators pointing to each port, which represent the synchronization status of the upper and lower optical modules. The indicator turns to green when optical modules are plugged in ports and synchronized. When the connection is down, or there is no optical module in port, the indicator remains red.



 The single port SFP modules have to be used in pairs.

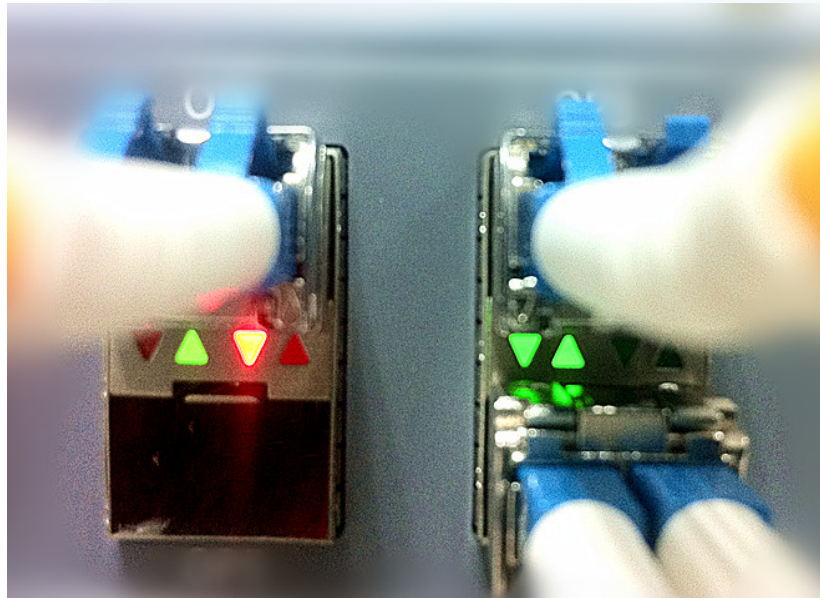
#### Dual Port SFP Transceiver

The optical connector unit includes an optical module and optical fibre. The Figure below shows that when using a dual-port SFP module, the optical transmitter and optical receiver should correspond to each other. In other words, the optical transmitter of optical module A should correspond to the optical receiver of optical module B, and the receiver of A should correspond to the transmitter of B. The optical receiver and transmitter terminals of the optical module can be determined by the triangular mark on the optical module. The triangular mark in the yellow box and the red and blue lines indicate the optical fibre connections.



## Optical Indicator

Each pair (2) of optical module cages has four LED indicator arrows. The two on the left are green, and the two on the right are red, as shown in Figure below. The indicator arrows represent the synchronization status of the upper and lower optical modules. When a pair of optical modules are synchronized (both uplink and downlink), the indicators turn green as shown in the right pair of indicators in Figure below. When the optical module is unplugged or not synchronized, the indicators are red, as shown in the left pair of indicators. Check whether both indicators turn green after connecting one pair of optical modules. If the indicators are red, the terminal has not synchronized.



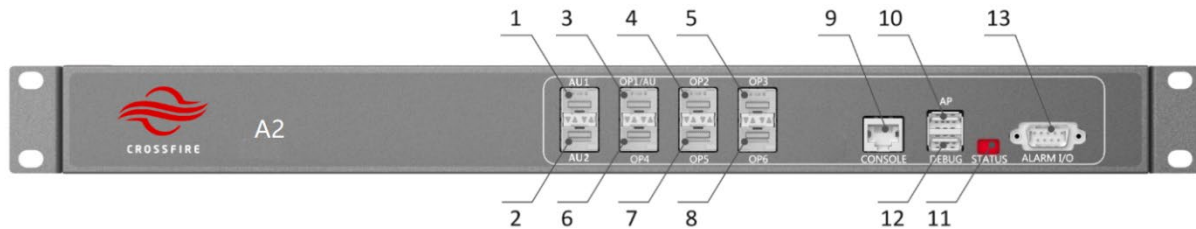
## A2 Optical Port Description

Obtain the required lengths of optical fibers for all the optical connections and connect the fibers on the front panel of Access Unit.

The interface type of SFP transceivers is an LC connector.

It is important to label all ports on the fiber distribution panel correctly.

It is recommended to include additional length/slack in the optical fiber to allow future re-configurations without requiring additional splices.



A2 Front Panel Interfaces

SN	Interface Name	Description
1	AU1	Connects Slave A2 1
2	AU2	Connects Slave A2 2
3	OP1/AU	For Master A2: connects EU/RU For Slave A2: connects Master A2
4	OP2	Connects EU/RU
5	OP3	Connects EU/RU
6	OP4	Connects EU/RU
7	OP5	Connects EU/RU
8	OP6	Connects EU/RU
9	CONSOLE	Connects OMC or local PC through CAT-5 for local and remote monitoring
10	AP	Connects WLAN network adapters for monitoring device through Wi-Fi
11	STATUS	Indicates device operating status
12	DEBUG	Connects local debugging PC through a USB connection
13	ALARM I/O	Connects external environment alarm interface for environment monitoring

## E2-O Optical Port Description

Obtain the required lengths of optical fibers for all the optical connections and connect the fibers on the front panel of the Expansion Unit.

The interface type of SFP transceivers is an LC connector.

**Contact us today:**

[www.sunwave.com](http://www.sunwave.com)

[cf\\_support@sunwave.com](mailto:cf_support@sunwave.com)



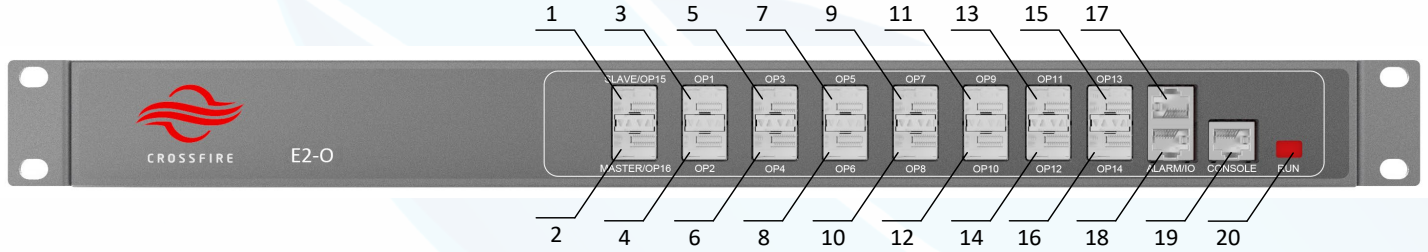
CROSSFIRE

HIGH POWER

43dBm Dual Band  
Digital Radio

It is important to label all ports on the fiber distribution panel correctly.

It is recommended to include additional length/slack in the optical fiber to allow future re-configurations without requiring additional splices.



E2 Front Panel Interfaces

SN	Interface Name	Description
1	SLAVE/OP15	Connection for Master A2/EU at the next higher level
2	MASTER/OP16	Connection for EU at the next lower level
3	OP1	Connection for RU
4	OP2	Connection for RU
5	OP3	Connection for RU
6	OP4	Connection for RU
7	OP5	Connection for RU
8	OP6	Connection for RU
9	OP7	Connection for RU
10	OP8	Connection for RU
11	OP9	Connection for RU
12	OP10	Connection for RU
13	OP11	Connection for RU
14	OP12	Connection for RU
15	OP13	Connection for RU
16	OP14	Connection for RU
17	Alarm	Alarm IN
18	Alarm	Alarm OUT
19	CONSOLE	Connection for local PC through CAT-5 for local monitoring
20	STATUS	Indicates device operating status

Contact us today:  
www.sunwave.com  
cf\_support@sunwave.com



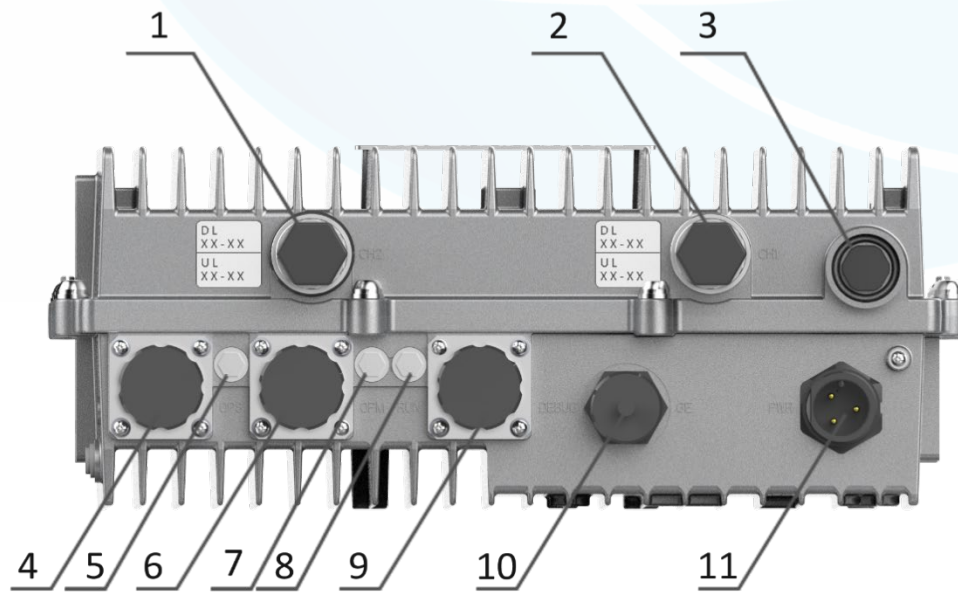
## RU Optical Port Description

Obtain the required lengths of optical fibers for all the optical connections and connect the fibers on the front panel of Remote Unit.

The interface type of SFP transceivers is an LC connector.

It is important to label all ports on the fiber distribution panel correctly.

It is recommended to include additional length/slack in the optical fiber to allow future re-configurations without requiring additional splices.



RU Front Panel Interfaces

SN	Interface Name	Description
1	CH2	PA 2 Module Interface, 4.3-10 female Connector
2	CH1	PA 1 Module Interface, 4.3-10 female Connector
3	Air Pressure hole	Make the pressure balance
4	Slave OP	Connection for EU or RU at the next higher level
5	Slave	Indicates Slave OP port operating status
6	MASTER OP	Connection for RU at the next lower level
7	Master	Indicates Master OP port operating status
8	RUN	Indicates device operating status
9	DEBUG	Connection for local PC through CAT-5 for local monitoring
10	GE	Reserved
11	PWR	Electrical Power Line Interface



## FCC Statement:

Any Changes or modifications not expressly approved by the party responsible for compliance could void the user's authority to operate the equipment.

This device complies with part 15 of the FCC Rules. Operation is subject to the following two conditions:

- (1) This device may not cause harmful interference, and
- (2) This device must accept any interference received, including interference that may cause undesired operation.

## FCC Radiation Exposure Statement:

This equipment complies with FCC radiation exposure limits set forth for an uncontrolled environment .

This transmitter must not be co-located or operating in conjunction with any other antenna or transmitter. This equipment should be installed and operated with minimum distance 400 cm between the radiator & your body.

## ISED RSS Warning:

This device complies with Innovation, Science and Economic Development Canada licence-exempt RSS standard(s). Operation is subject to the following two conditions: (1) this device may not cause interference, and (2) this device must accept any interference, including interference that may cause undesired operation of the device.

Le présent appareil est conforme aux CNR d'ISED applicables aux appareils radio exempts de licence. L'exploitation est autorisée aux deux conditions suivantes:

- (1) l'appareil ne doit pas produire de brouillage, et
- (2) l'utilisateur de l'appareil doit accepter tout brouillage radioélectrique subi, même si le brouillage est susceptible d'en compromettre le fonctionnement.

## ISED RF exposure statement:

This equipment complies with ISED radiation exposure limits set forth for an uncontrolled environment. This equipment should be installed and operated with minimum distance 400 cm between the radiator & your body. This transmitter must not be co-located or operating in conjunction with any other antenna or transmitter.

Le rayonnement de la classe B respecte ISED fixaient un environnement non contrôlés. Installation et mise en œuvre de ce matériel devrait avec échangeur distance minimale entre 400 cm ton corps. Lanceurs ou ne peuvent pas coexister cette antenne ou capteurs avec d'autres.

## Contact us today:

[www.sunwave.com](http://www.sunwave.com)  
[cf\\_support@sunwave.com](mailto:cf_support@sunwave.com)



CROSSFIRE

# HIGH POWER

43dBm Dual Band  
Digital Radio

**WARNING.** This is **NOT** a **CONSUMER** device. It is designed for installation by **FCC LICENSEES** and **QUALIFIED INSTALLERS**. You **MUST** have an **FCC LICENSE** or express consent of an FCC Licensee to operate this device. Unauthorized use may result in significant forfeiture penalties, including penalties in excess of \$100,000 for each continuing violation.

**WARNING:** This is **NOT** a **CONSUMER** device. It is designed for installation by an installer approved by an ISED licensee. You **MUST** have an **ISED LICENCE** or the express consent of an ISED licensee to operate this device.