



Owner's manual & Installation manual
Mode d'emploi et manuel d'installation
Manual de instrucciones y de instalación

M606

WATERTIGHT MARINE USB/MP3/WMA RECEIVER
LECTEUR MARINE ÉTANCHE USB/MP3/WMA
RECEPTOR USB/MP3/WMA ESTANCO PARA EMBARCACIONES

CLARION PRODUCT REGISTRATION INFORMATION

For USA and Canada only

www.clarion.com

Dear Customer,

Congratulations on your purchase of a Clarion mobile electronic product. We are confident that you'll enjoy your Clarion experience.

There are many benefits to registering your product. We invite you to visit our website at www.clarion.com to register your Clarion product.

We have made the product registration process simple with our easy to use website. The registration form is short and easy to complete. Once you're registered, we can keep you posted on important product information.

Register at www.clarion.com - it's easy to keep your Clarion product up to date.

INFORMATIONS DE L'ENREGISTREMENT DE PRODUITS CLARION

Pour les États-Unis et le Canada seulement

www.clarion.com

Cher(e) client(e),

Nous vous remercions d'avoir acheté ce produit électronique mobile Clarion. Nous sommes confiants que vous apprécierez votre expérience Clarion.

Il y a beaucoup d'avantages à enregistrer votre produit. Nous vous invitons à visiter notre site Web www.clarion.com pour enregistrer votre produit Clarion.

Nous avons facilité la tâche de l'enregistrement de produit sur notre site Web. Le formulaire d'enregistrement est court et facile à compléter. Une fois enregistré(e), nous pouvons vous tenir informé(e) des informations importantes sur les produits.

Enregistrez-vous sur www.clarion.com - c'est facile de mettre à jour votre produit Clarion.

INFORMACIÓN DEL REGISTRO DE PRODUCTO DE CLARION

Para EE. UU. y Canadá solamente

www.clarion.com

Querido Cliente:

Felicitaciones por su compra de producto electrónico móvil de Clarion. Estamos seguros de que gozará de su experiencia con el producto de Clarion.

Hay muchas ventajas al registrar su producto. Le invitamos a que visite nuestro sitio en Internet www.clarion.com para registrar su producto de Clarion.

Hemos hecho el registro del producto en nuestro sitio fácil de usar. El formulario de registro es breve y fácil de completar. Una vez que lo registre, podremos proporcionarle la información de su producto.

Regístrese en www.clarion.com: es fácil mantener su producto de Clarion actualizado.

Under Industry Canada regulations, this radio transmitter may only operate using an antenna of a certain type and maximum (or lesser) gain approved for the transmitter by Industry Canada. To reduce potential radio interference to other users, the antenna type and its gain should be chosen so that the equivalent isotropically radiated power (e.i.r.p.) is no more than the required one for successful communication.

Conformément à la réglementation d'Industrie Canada, le présent émetteur radio peut fonctionner avec une antenne d'un type et d'un gain maximal (ou inférieur) approuvé pour l'émetteur par Industrie Canada. Dans le but de réduire les risques de brouillage radioélectrique à l'intention des autres utilisateurs, il faut choisir le type d'antenne et son gain de sorte que la puissance isotrope rayonnée équivalente (p.i.r.e.) ne dépasse pas l'intensité nécessaire à l'établissement d'une communication satisfaisante.

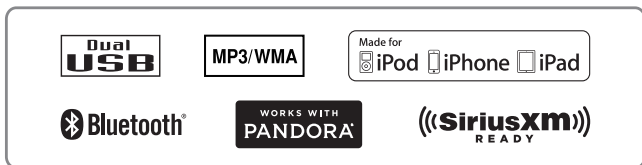
ContentsThank you for purchasing this **Clarion** product.

- Please fully read this owner's manual before operating this equipment.
- Check the contents of the enclosed warranty card and store it in a safe place with this manual.

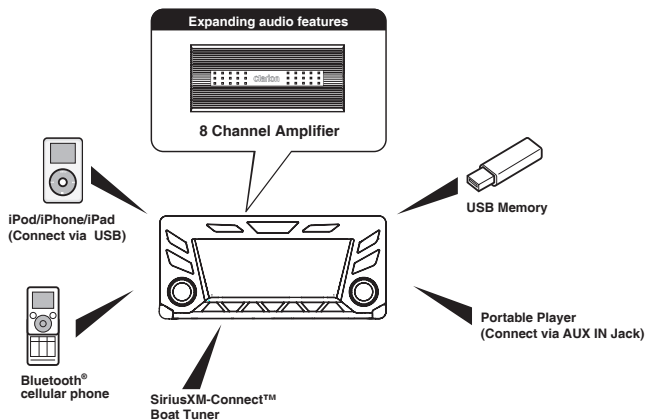
1. FEATURES	3
2. PRECAUTIONS	3
Front Panel / General Information	4
USB Port	4
3. CONTROLS	5
Operational Panel	5
Remote Control (RCX001: Sold separately)	6
Notes for use of Optional Remote Control	6
Optional Wired Remote Control Unit Operations	7
Zone Control	7
5. OPERATIONS	8
Basic Operations	8
System Setup	8
Audio Setup	9
Radio Operations	10
SiriusXM Satellite Radio Operations	10
USB Operations	11
iPod, iPhone & iPad Operations	12
Bluetooth Operations	13
AUX Operations	14
6. TROUBLE SHOOTING	15
7. ERROR DISPLAYS	16
8. SPECIFICATIONS	16
9. INSTALLATION / WIRE CONNECTION GUIDE	17

1. FEATURES

- Compatible with iPod® / iPhone® / iPad® with Pandora® internet radio App
- SiriusXM-Ready™ (Tuner and Subscription required and sold separately)
- 8ch RCA Output and BEAT-EQ with 3 Band Parametric Equalizer



Expanding System Options



Note:

- The items listed only show connectivity options and are not included with the unit.

2. PRECAUTIONS

⚠ WARNING

For your safety, the driver should not operate the controls while driving. Also, while driving, keep the volume to a level at which external sounds can be heard.

1. When the interior of the boat is extremely cold and the player is used soon after switching on the heater, moisture may form on the internal circuitry of the player and proper playback may not be possible. If moisture forms inside of the player, do not use the player for about one hour. The condensation will disappear naturally allowing normal operation.
2. This unit uses precision parts and components for its operation. In the event of any operating issues, never open the case, disassemble the unit, or lubricate the rotating parts. Contact your Clarion dealer or service center.
3. FCC STATEMENT

1.This device complies with Part 15 of the FCC Rules. Operation is subject to the following two conditions:

- (1)This device may not cause harmful interference.
 - (2)This device must accept any interference received, including interference that may cause undesired operation.
- 2.Changes or modifications not expressly approved by the party responsible for compliance could void the user's authority to operate the equipment.

NOTE:

This equipment has been tested and found to comply with the limits for a Class B digital device, pursuant to Part 15 of the FCC Rules. These limits are designed to provide reasonable protection against harmful interference in a residential installation.

This equipment generates uses and can radiate radio frequency energy and, if not installed and used in accordance with the instructions, may cause harmful interference to radio communications. However,

there is no guarantee that interference will not occur in a particular installation. If this equipment does cause harmful interference to radio or television reception, which can be determined by turning the equipment off and on, the user is encouraged to try to correct the interference by one or more of the following measures:

- Reorient or relocate the receiving antenna.
- Increase the separation between the equipment and receiver.
- Connect the equipment into an outlet on a circuit different from that to which the receiver is connected.
- Consult the dealer or an experienced radio/TV technician for help.

FCC Radiation Exposure Statement

This equipment complies with FCC radiation exposure limits set forth for an uncontrolled environment. This equipment should be installed and operated with minimum distance 20cm between the radiator & your body

4. "Made for iPod", "Made for iPhone" and "Made for iPad" mean that an electronic accessory has been designed to connect specifically to iPod, iPhone or iPad, respectively, and has been certified by the developer to meet Apple performance standards.

Apple is not responsible for the operation of this device or its compliance with safety and regulatory standards.

Please note that the use of this accessory with iPod, iPhone or iPad may affect wireless performance.

iPod, iPhone, iPad and iTunes are trademarks of Apple Inc., registered in the U.S. and other countries.

Supported iPod/iPad/iPhone devices:

iPhone 6s
iPhone 6s plus
iPhone 6
iPhone 6 plus
iPhone 5S
iPhone 5C
iPhone 5
iPhone 4s
iPhone 4
iPod nano 7th generation
iPod nano 6th generation 16G
iPod nano 6th generation 8G
iPod nano 5th generation 8G
iPod nano 5th generation 8G
iPod touch 4th generation 8G
iPod touch 5th generation 32G
iPod touch 6th generation 64G
ipod classic 2nd generation 120GB
iPad 1st generation
iPad mini 2nd generation
iPad Mini4
iPad Air2

5. Pandora, the Pandora logo, and the Pandora trade dress are trademarks or registered trademarks of Pandora Media, Inc. used with permission.

Pandora is currently only available in the United States, Australia and New Zealand. If you have any issues with the Pandora application on your mobile phone, please direct them to pandora-support@pandora.com.

6. The Bluetooth word mark and logos are registered trademarks owned by the Bluetooth SIG, Inc. and any use of such marks by Clarion Co., Ltd is under license. Other trademarks and trade names are those of their respective owners.
7. Sirius, XM and all related marks and logos are trademarks of Sirius XM Radio Inc. All rights reserved.

8. IC warning

This device complies with Industry Canada's licence-exempt RSSs.

Operation is subject to the following two conditions:

- (1) this device may not cause interference, and
- (2) this device must accept any interference, including interference that may cause undesired operation of the device.



INFORMATION FOR USERS:

Changes or modifications to this product unapproved by the manufacturer will void the warranty and will violate FCC approval.

Front Panel / General Information

For a longer service life, be sure to read the following cautions.

- Do not allow any liquids or fluids to enter the unit. Doing so may damage the internal circuitry.
- Do not disassemble or modify the unit in any way. Doing so may result in damage.
- Do not let any materials burn the display. Doing so may damage or deform the body.
- If a problem should occur, have the unit inspected at your store of purchase.
- The remote control unit may not work if the remote control sensor is exposed to direct sunlight.

Cleaning the body

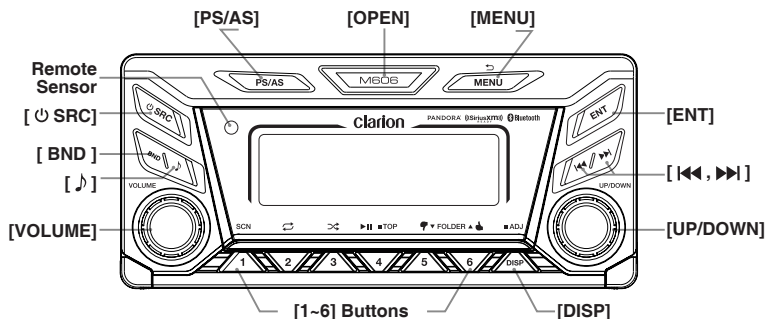
- Use a soft, dry cloth and gently wipe off any dirt or dust.
- For tough dirt, apply some neutral detergent diluted in water to a soft cloth, wipe off the dirt gently, then wipe again with a dry cloth.
- Do not use benzene, thinner, boat cleaner, etc., as these substances may damage the body or cause the paint to peel. Also, leaving rubber or plastic products in contact with the body for long periods of time may cause stains.

USB Port

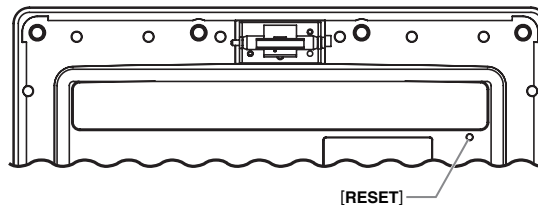
- The USB memory sticks must be recognized as "USB" to work properly. Some models may not operate correctly.
When the memorized data is lost or damaged under any condition, Clarion shall not be liable for any damage.
 When using the USB memory stick, we recommend that you backup your data stored on it before using a personal computer etc.
- Data files may be broken when using USB memory sticks in the following situation:
 When disconnecting the USB memory stick or turning the power off during reading data. When affected by static electricity or electric noise. Connect/disconnect the USB memory stick when it is not accessed.
- Connecting with the computer is not covered.

3. CONTROLS

Operational Panel



With the front panel opened



Only operate the device when the front panel is properly latched shut. Leaving the front panel open during operation could permanently damage the device.

Names of Buttons

[SRC] Button

- Toggle the audio source
- Power on / Power off (long press)

[BND] Button

- **RADIO** mode – Select tuner band
- **USB** mode – Top play

[J] Button

- Sound effect setting

[VOLUME] Knob

- Adjust volume level

[PS/AS] Button

- **RADIO** mode – Preset scan / Auto store (long press)

[OPEN] Button

- Unlock the front panel

[MENU/] Button

- **USB** mode – Search function
- **iPod** mode – iPod menu

- **Pandora** mode – Station select
- **SiriusXM** mode – Direct select (long press) / Instant Replay (Short Press)
- In menu/file list – Back

[ENT] button

- Confirm

[<< / >>] Buttons

- **RADIO** mode – Manual tuning / Auto search (long press)
- **USB/iPod** mode
 - Previous / next track
 - Fast Forward / Fast Backward (long press)
- **Pandora** mode – Skip track (>>)
- **SiriusXM** mode – Channel Up/Down

[UP/DOWN] Knob

- **Radio** mode - Tune
- **USB** mode - Select folder/file
- **Pandora** mode – Select search mode/station

- **SiriusXM Radio** mode – Select category / (Operates on Category and Channel modes)

[1-6] Buttons

- [1] Button: Scan play / Preset station 1 / Preset station memory 1 (long press)
- [2] Button: Repeat play / Preset station 2 / Preset station memory 2 (long press) / **Pandora** mode – Bookmark track
- [3] Button: Random play / Preset station 3 / Preset station memory 3 (long press) / **Pandora** mode - Bookmark artist
- [4] Button: Play/Pause / Preset station 4 / Preset station memory 4 (long press)
Note: When in "Replay" feature will Play/Pause
- [5] Button: Previous folder / Preset station 5 / Preset station memory 5 (long press) / **Pandora** mode - Thumbs down
- [6] Button: Next folder / Preset station 6 / Preset station memory 6 (long press) / **Pandora** mode - Thumbs up

[DISP] Button

- Display change
- System setup (long press)

[RESET] button

- Press the button when the following symptoms occur.
 - * Nothing happens when buttons are pressed.
 - * Display is not accurate.
 - * The settings will remain in the memory even if you turn the power off or press the reset button.

Remote Control (RCX001: Sold separately)

[SRC / Φ] Button

- Toggle the audio source
- Power on / Power off (long press)

[\ll , \gg] Buttons

- **Radio** mode - Manual Tune up or down / Seek Tune up or down (long press)
- Previous / next track
- **SiriusXM** mode - Channel up or down / Rapid Channel Browsing (long press)
- **Pandora** mode – Skip

[SCN/PS/AS] Button

- Scan play / Preset scan
- Auto memory store (long press)
- **Pandora** mode – Thumbs down
- **SiriusXM** mode – Channel scan (in current category) / Preset scan (long press)

[BAND/TOP] Button

- **USB** mode – Top play
- **RADIO** mode – Select tuner band
- **SiriusXM** mode – Select tuner band / Category Browsing mode (long press)

[Δ , ∇] Buttons

- Volume up / down

[\gg] Button

- Play / Pause

[ISR] Button

- No function

[DISP] Button

- Display switch

[RDM] Button

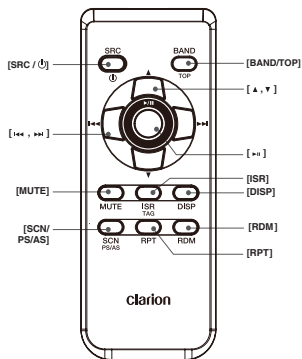
- Random play
- **Pandora** mode – Thumbs up

[RPT] Button

- Repeat play
- **Pandora** mode – Bookmark track / Bookmark Artist (long press)

[MUTE] Button

- Mute the volume

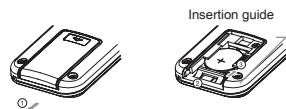


Notes for use of Optional Remote Control

1. Aim the remote control at the remote sensor on the unit.
2. Remove the battery from the remote control or insert a battery insulator if the battery has not been used for a month or longer.
3. DO NOT store the remote control under direct sunlight or in high temperature environment, or it may not function properly.
4. Use "button shaped" lithium battery "CR2025" (3V) only.
5. DO NOT subject battery to recharge, disassemble, heat or dispose in fire or water.
6. Insert the battery in proper direction according to the (+) and (-) polarities.
7. Store the battery in a place where children cannot reach to avoid the risk of accident.

Inserting the Battery

1. Slide remote control unit's rear cover in the direction shown.
2. Insert battery (CR2025) into insertion guides with printed side (+) up.
3. Press battery into compartment as shown.
4. Replace and slide cover until it clicks into place.

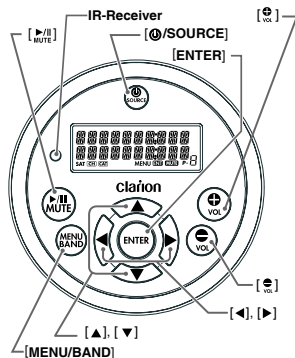


Optional Wired Remote Control Unit Operations

Following operations are enabled by remote control with the separately sold Clarion Wired Remote Control Units.

Note:

If the remote control is connected with this unit while the power on, please restart this unit again to confirm the normal display.



CAUTION

Lower the volume level before powering the source unit off. The source unit stores the last volume setting.

WARNING

EXPOSING THE UNIT TO WATER WITH THE FRONT PANEL OPEN WILL CAUSE DAMAGE OR UNIT MALFUNCTION!

[SOURCE] button

- Press the [SOURCE] button to turn the power on and press and hold it (1 sec.) to turn the power off.
- Each time the [SOURCE] button is pressed, the mode switches.

Note:

- If the above equipment is not connected, corresponding mode cannot be selected.

[ENTER] button

- RADIO mode – No function
- USB mode – No function
- iPod mode – Confirm (in Menu mode)
- AUX mode – No function
- Pandora mode – No function
- SiriusXM mode – Confirm (in Menu mode)

[VOL], [VOL] buttons

- Press the [VOL] button to increase the volume.
- Press the [VOL] button to decrease the volume.

[◀], [▶] buttons

- RADIO mode – Station up-down / Seek up - down (long press)
- USB mode – Previous - next track / Fast forward-reverse (long press)
- iPod mode – Previous - next track / Fast forward-reverse (long press)
- AUX mode – No function
- Pandora mode – skip track (▶)
- SiriusXM mode – Channel up - down / Rapid tune up-down – (Long press) / Move cursor (direct mode) / Channel up - down in current category (Category mode)

Optional Wired Remote Control Unit Operations

[▲], [▼] buttons

- RADIO mode – Preset station up / down
- USB mode – No function
- iPod mode – Navigate (in Menu mode)
- AUX mode – No function
- Pandora mode – No function

[MENU/BAND] button

- Each time the button is pressed, the band switches in the following order:

Radio : FM1 -> FM2 -> FM3 -> AM -> WB.....
 SiriusXM : SXM1 -> SXM2 -> SXM3 -> SXM1.....

- Press and hold the button to enter the Category Browsing mode. (in SiriusXM mode)
- Press and hold the button to enter the iPod menu. (in iPod mode)

[MUTE] button

- RADIO mode – Mute ON-OFF
- USB mode – Play-Pause
- iPod mode – Play-Pause
- AUX mode – Mute ON-OFF
- Pandora mode – Play-Pause
- SiriusXM mode – Play-Pause

IR-Receiver

- Receiver for optional IR remote control unit. (Operating range: 30° in all directions)

Zone Control

When power on first time, you need choose the audio configuration type: rotate the [VOLUME] knob to select "STANDARD" or "MULTI ZONE", and press [ENT] button to confirm.

When choose "STANDARD", all the zones will be configured together. When choose "MULTI ZONE", the zones can be configured separately.

To reselect the audio configuration type, please access system setup mode.

5. OPERATIONS

Basic Operations

Note:

- Refer to the diagrams in "3. CONTROLS" when reading this chapter.

CAUTION

When the unit is turned on, starting and stopping the engine with its volume raised to the maximum level may harm your hearing. Be careful about adjusting the volume.

Power on / off

Note:

- Start the engine before using this unit.
 - Be careful about using this unit for a long time without running the engine. If you drain the battery too far, you may not be able to start the engine and this can reduce the service life of the battery.
- Start the engine. The power button / knob illumination on the unit will light up.



Engine ON position

- Press the [**⏻ SRC**] button on the front panel or remote control to turn on the power under standby mode. The unit goes back to the last status after power on.
- Press and hold the [**⏻ SRC**] button on the front panel or the remote control to turn off the power.

Mute

Press the [**MUTE**] button on the remote control to mute the volume from the unit.

Note:

Doing the operation above again or adjusting volume will release muting.

Volume adjustment

STANDARD: Rotate the [**VOLUME**] knob on the front panel or press the [**▲**] or [**▼**] button on the remote control.

MULTI ZONE: In Volume adjustment mode, rotate the [**UP/DOWN**] knob to select ZONE number, then rotate the [**VOLUME**] knob to adjust.

The adjustable range of volume is 0 to 40.

CAUTION

While driving, keep the volume level at which external sounds can still be heard.

Playing source selection

Press the [**⏻ SRC**] button to change the operation mode.

Display system time

Press the [**DISP**] button on the front panel or remote control to switch the display information from clock, station information (radio mode), or track information (USB mode).

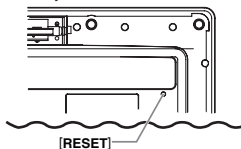
RESET

If you have the following problems, please press [**RESET**] button.

- Unit can not power on
- Nothing happens when buttons are pressed
- Display is not accurate

Note:

- When the [**RESET**] button is pressed, preset radio stations, audio setting, etc. stored in memory are retained.



System Setup

To change adjustment setting

- Press and hold [**DISP**] button to switch to system setup mode.
- Press the [**◀▶**] or [**▶▶**] button to select the "item name".
- Rotate the [**UP/DOWN**] knob to select the "desired setting value".
 - * For some options, you should press the [**ENT**] button to adjust the setting value.
- After completing the setting adjustment, press the [**MENU**] button to return to the previous mode.

CLOCK

- Press the [**ENT**] button.
- Press the [**◀▶**] or [**▶▶**] button to select the hour or the minute.
- Rotate the [**UP/DOWN**] knob to set the correct time.
 - * The clock is displayed in 12-hour format by default.
- Press the [**ENT**] button to store the time into memory.

Note:

- You cannot set the clock when it is displayed with only the ignition on. If you drain or remove the boat's battery or take out this unit, the clock is reset. While setting the clock, if another button or operation is selected, the clock set mode is canceled.

ZONE SELECT

- Rotate the [**UP/DOWN**] knob to select STANDARD or MULTI ZONE.
- Press the [**ENT**] button to confirm.

ZONE LINK (MULTI ZONE mode)

- Press the [**ENT**] button.
- Rotate the [**UP/DOWN**] knob to select the ZONE number from 2, 3, 4. And press the [**◀▶**] or [**▶▶**] button to select "LNK ZONE" or "UNLNK ZONE".
- Press the [**ENT**] button to confirm.

DX/LO (RADIO mode)

Rotate the [**UP/DOWN**] knob to choose radio local or distant at RADIO mode.

- LO:** Only stations with strong signal can be received.
- DX:** Stations with strong and weak signals can be received.

AUX SENS (AUX mode)

Rotate the [**UP/DOWN**] knob to choose AUX Input sensitivity LOW, MID or HIGH in AUX mode.

PARENTAL (SiriusXM mode)

Change parental password. Original code is "0000"

LOCK CH (SiriusXM mode)

Lock the current channel

UNLOCK ALL CH (SiriusXM mode)

Unlock all parental locked channels.

SELECT

This "SELECT" menu is intended to automatically pair with a stored mobile device. This unit can store a maximum of three mobile devices. The mobile devices will be stored in the order they are paired to the unit. If you wish to add a different device than those already paired, you will need to delete the unwanted mobile device from the "DELETE" menu.

- Press the [**ENT**] button.
- Rotate the [**UP/DOWN**] knob to choose the paired mobile phone name from the pairing list.
- Press the [**ENT**] button to confirm.

DELETE

- Press the [**ENT**] button.
- Rotate the [**UP/DOWN**] knob to choose the paired mobile phone name from the pairing list.
- Press the [**ENT**] button to confirm.

System Setup

DISCON (BT mode)

Disconnect currently connected mobile phone.

1. Press the [ENT] button, mobile phone displays are currently connected.
2. Press the [ENT] button to disconnect.

PIN CODE

1. Press the [ENT] button.
2. Rotate the [UP/DOWN] knob and press [◀▶] or [▶▶] button to choose a 4-digit password.
3. Press the [ENT] button to confirm.
The PIN CODE default setting is "0000".

SCREEN SAVE: ON/OFF

Rotate the [UP/DOWN] knob to choose screen saver ON or OFF.

ON: The screen saver will appear on the LCD screen after 30 seconds of non-use.

SCROLL: ON/OFF

For track information that is longer than the display panel:

When SCOLL is ON, the LCD will scroll the ID3 TAG information across the display, e.g.: TRACK->FOLDER->FILE->ALBUM->TITLE->ARTIST->TRACK->...

When SCROLL is OFF, the LCD will display one of the ID3 TAG information, the default is TRACK, but user can adjust it to other ID3 TAG information by pressing [DISP] button.

PANDORA: ON/OFF

Select OFF if the Pandora application has not been installed on your iPod touch or iPhone.

DIMMER: ON/OFF

Rotate the [UP/DOWN] knob to choose DIMMER ON or OFF.

- **ON:** LCD dimmer is active when small light of boat is turned ON.
- **OFF:** LCD always maximum brightness regardless of the boat small light.

BEEP: ON/OFF

Rotate the [UP/DOWN] knob to choose button beep sound ON or OFF.

12/24H

Rotate the [UP/DOWN] knob to choose time format: 12 HOURS or 24 HOURS.

REGION

Rotate the [UP/DOWN] knob to choose a Radio Region from N.America/Europe/Asia/Australia.

FACTORY RST

1. Rotate the [UP/DOWN] knob to choose YES or NO.
2. YES: Press the [ENT] button to show "CONFIRM".
3. Rotate the [UP/DOWN] knob to choose YES or NO.
4. YES: Pressing the [ENT] button will reset the unit.

Audio Setup

STANDARD

1. Press the [♪] button to enter sound effect setting mode. First press shows current BEAT EQ setting. Rotate the [VOLUME] knob to change BEAT EQ in this order: EQ OFF -> POP -> CLASSIC -> JAZZ -> CUSTOM.

On CUSTOM setting mode, press the [ENT] button. Then rotate the [UP/DOWN] knob to select BAS, MID, or TRE Gain, rotate the [VOLUME] knob to select a value: (-6) - (+6), press [ENT] button to confirm.

2. After pressing the [♪] button, press [◀▶] or [▶▶] button to select USER preset including:
LOUDNESS -> BALANCE -> FADER -> HPF (high pass filter) -> LPF (low pass filter) -> THROUGH (HPF/LPF), rotate the [VOLUME] knob to select a value.
3. After pressing the [♪] button, rotate the [UP/DOWN] knob to show NON FADE, and press [ENT] button to enter. Rotate the [UP/DOWN] knob to select LPF, PHASE or SUB VOL, rotate the [VOLUME] knob to select the value.

MULTI ZONE

1. Press the [♪] button to enter sound effect setting mode.
2. Rotate the [VOLUME] knob to select the value of BALANCE (LEFT 1-7 -> CENTER -> RIGHT 1-7). Rotate the [UP/DOWN] knob to select ZONE 1, 2, 3 or 4.
3. After selecting a ZONE number, rotate the [VOLUME] knob to change BEAT EQ.
On CUSTOM setting mode, press the [ENT] button. Then rotate the [UP/DOWN] knob to select BAS, MID, or TRE Gain, rotate the [VOLUME] knob to select a value: (-6) - (+6), press [ENT] button to confirm.
4. After selecting a ZONE number, press [◀▶] or [▶▶] button to select THROUGH, HPF or LPF. Rotate the [VOLUME] knob to select a value.

Radio Operations

Select tuner as playing source

Press [**SRC**] button once or more to enter **RADIO** mode.

Selecting the radio band

Press the [**BND**] button on the panel or [**BAND**] on the remote control to select one radio band among FM1, FM2, FM3, AM, WB.

Manual tuning

During manual tuning, the frequency will be changed in steps.

Press the [**◀**] or [**▶**] button on the panel to tune in a lower / higher station.

Press the [**◀**] or [**▶**] button on the remote control to select preset stations.

Auto tuning

Press and hold the [**◀**] or [**▶**] button to seek a lower / higher station.

To stop searching, repeat the operation above or press other buttons having radio functions.

Note:

When a station is received, searching stops and the station is played.

Preset Scan

Preset Scan receives the stations stored in preset memory in order. This function is useful when searching for a desired station in memory.

1. Press the [**PS/AS**] button on the panel or remote control.
2. When a desired station is tuned in, press the [**PS/AS**] button again to continue receiving that station.

Note:

Be careful not to press and hold the [**PS/AS**] button for 1 second or longer, otherwise the auto store function will begin and the unit starts storing stations.

Auto store

The unit stores the strongest stations found in the entire Band.

Press and hold the [**PS/AS**] button (1 sec.) to start automatic station search.

To stop auto store, press other buttons having radio functions.

Notes:

1. After auto store, the previous stored stations will be overwritten.
2. The unit has 5 bands, such as FM1, FM2, FM3, AM and WB. Each band can store 6 stations, M606 can store 30 stations in total.

Manual store

When one expected radio station has been detected, press and hold number button 1-6 to store it in the memory.

Recall the stored stations

Press one numeric button among 1 to 6 on the panel to select the corresponding stored station.

Local seeking

When LOCAL seeking is ON, only those radio stations with strong radio signal will be received.

To select LOCAL function, press and hold the [**DISP**] button on the front panel, then press [**▶**] button repeatedly until **LO** or **DX** displays on the screen, and rotate the [**UP/DOWN**] knob to select Local or Distant mode.

Note:

The number of radio stations that can be received will decrease when Local mode is ON.

SiriusXM Satellite Radio Operations

Only SiriusXM® brings you more of what you love to listen to, all in one place.

Get over 140 channels, including commercial-free music plus the best sports, news, talk, comedy and entertainment. Welcome to the world of satellite radio.

A SiriusXM boat Tuner and Subscription are required. For more information, visit www.siriusxm.com.

Displaying the Radio ID

Before you listen to satellite radio, you must subscribe to the service using the SiriusXM Radio ID number.

1. Press [**SRC**] button to activate SiriusXM mode.
2. Press [**◀**] or [**▶**] to select channel "0". The unit displays Radio ID.

Note: Unit does not display "0CH" when you tune to channel "0".

Activating your SiriusXM Subscription

After installing your SiriusXM-Connect Boat Tuner and antenna, power on your headunit and select SiriusXM mode. You should be able to hear the SiriusXM preview channel on Channel 1. If you cannot hear the preview channel, please check the installation instructions to make sure your SiriusXM Connect tuner is properly installed.

Once you can hear the Preview channel, tune to Channel 0 to find the Radio ID of your tuner. In addition, the Radio ID is located on the bottom of the SiriusXM Connect Boat Tuner and its packaging. You will need this number to activate your subscription. Write the number down for reference.

Note: The SiriusXM Radio ID does not include the letters I, O, S or F.

In the USA, you can activate online or by calling SiriusXM Listener Care:

- Visit www.siriusxm.com/activatenow
- Call SiriusXM Listener Care at 1-866-635-2349

For Canadian Subscriptions, please contact:

- Visit www.siriusxm.ca/activatexm

- Call XM Customer Care at 1-877-438-9677
- As part of the activation process, the SiriusXM satellites will send an activation message to your tuner. When your radio detects that the tuner has received the activation message, your radio will display: "Subscription Updated". Once subscribed, you can tune to channels in your subscription plan. Note, the activation process usually takes 10 to 15 minutes, but may take up to an hour. Your radio will need to be powered on and receiving the SiriusXM signal to receive the activation message.

Storing Channel Presets

1. Press [**BND**] button to select the desired band you want to store the preset in.

There are 3 Satellite Radio Preset bands. Each press of [**BND**] button changes the band:

- SXM1 -> SXM2 -> SXM3 -> SXM1
2. Tune to the desired channel and then press and hold one of the preset buttons (1 through 6), to store the channel.
3. Repeat the procedure to store up to 5 other channels on the same band.

Note:

- A total of 18 channels can be stored in the preset memory, 6 channels for each band (SXM1, SXM2 and SXM3).

Tuning Channels using Presets

1. Press [**BND**] button to select the desired band of presets you wish to access.
2. Press the preset button (1 through 6) that has your desired Satellite Radio channel stored in memory.

Category Browsing

1. Press and hold [**BND**] button to activate the Category Browsing mode.
2. Rotate the [**UP/DOWN**] knob to select desired category.
3. Press [**◀**] or [**▶**] to select desired channel within the selected Category. You

SiriusXM Satellite Radio Operations

can see channel name, channel number, artist, title or content by pressing [DISP].

- Press [ENT] to tune to selected channel.

Note:

If no operation is performed for 10 seconds, the Category Browsing mode is canceled.

Preset scan

Preset scan receives the channels stored in preset memory in order. This function is useful when searching for a desired channel in memory.

- Press and hold the [PS/AS] button.
- When a desired channel is tuned in, press the [PS/AS] button again to select that channel.

Category scan

This function is useful when scanning for a desired channel within a specific category.

- Press the [BND] button on the panel. Selectable options CHN/CAT will appear.
- Short Press [PS/AS] button to begin channel scan.
- When the desired channel is playing, press the [PS/AS] button again to select that channel.

Note:

- Be careful not to press and hold the [PS/AS] button for 1 second or longer, otherwise the preset scan function will begin and the unit starts scanning presets.

Instant Replay

- In SiriusXM mode, press [MENU] button to enter INSTANT REPLAY mode.
- Press [◀◀] or [▶▶] button to skip back or forward.
- Press and hold [◀◀] or [▶▶] button to rewind (REW) or fast forward (FF).
- Press the [4] button on the panel or [▶▶] on the remote control for play/pause.
- Press [MENU] or [BND] button to exit.

Changing the Display

Text information, such as the channel name, artist name/feature, song/program title and content is available with each SiriusXM channel. The unit can display this text information as explained below.

- In SiriusXM mode, press [DISP] button. Each time you press this button, the display changes as shown below.
Band/Channel number/channel name => Artist Name => Song Title=> Content Info => Category Name => Clock => Band/Channel number/channel name
* If there is no text information, nothing will be displayed.

Parental Lock / Unlock

The SiriusXM Parental Control feature allows you to control access to channels that you consider inappropriate for younger listeners.

When enabled, the Parental Control feature requires you to enter a password to tune into the locked channels. Information on setting up the password, setting up the channels to be locked, and the method to access the locked channels is described below.

- To set up the password, press and hold [DISP] then release [DISP] and press [▶▶] to scroll to "PARENTAL PASSWORD". Press [ENT] button to change password. Enter old password, then enter new password. To enter password, rotate [UP/DOWN] knob to choose the numbers (0-9) and press [◀◀] or [▶▶] to enter the next number in the password. Once all 4 numbers are entered, press [ENT] button to confirm password.
Note: Original password is "0000".
- To set up the channels to be locked, tune to the channel you wish to lock. Press and hold [DISP] then release [DISP] and press [▶▶] to scroll to "LOCK CH", press [ENT] button to confirm. Input password as explained in step 1 and then press [ENT] button to set the locked channel. You will be asked to input password. Enter its password and "LOCK" will be displayed if it is successful.

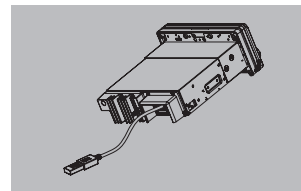
SiriusXM Satellite Radio Operations

- For unlocking the locked channel, tune to the channel you wish to unlock, press and hold [DISP] and press [▶▶] to select "UNLOCKCH". Enter the password to unlock the channel.
- To access the locked channels, select a channel by "DIRECT SELECT". Press [MENU] and select "DIRECT

SELECT" by pressing the [ENT] button. Input the desired locked channel (you need to input 3 digits) and enter the password, then you can tune into that locked channel.

USB Operations

- Insert a USB device into the rear of the unit USB cable. When connecting a USB device, the unit will read the files automatically.
- To remove the USB device, you should first select another source or turn off the power, in order to avoid damaging the USB device. Then you can remove the USB device safely.



This unit can playback MP3/WMA files

Note:

- If you play a WMA file with active DRM (Digital Rights Management), there will be no audio.

To disable DRM

(Digital Rights Management)

When using Windows Media Player 9/10/11, click on Tool -> Options -> Copy Music tab, then under Copy settings, unclick the Check box for Copy protect music. Then, reconstruct files. Personally constructed WMA files are used at your own responsibility.

Precautions when creating MP3/WMA file

Usable sampling rates and bit rates

- MP3: Sampling rate 8 kHz-48 kHz, Bit rate 8 kbps-320 kbps / VBR
- WMA: Bit rate 8 kbps-320 kbps

File extensions

- Always add a file extension ".MP3", ".WMA" to MP3, WMA file by using single byte letters. If you add a file extension other than specified or forget to add the file extension, the file cannot be played.
- Files without MP3/WMA data will not play. The files will not play if you attempt to play files without MP3/WMA data.
* When VBR files are played, the displayed play time may differ from the actual play location.

USB Operations

* When MP3/WMA files are played, there will be a small gap of no sound between tunes.

Logical format (File system)

1. The folder name and file name can be displayed as the title during MP3/WMA play but the title must be within 32 single byte alphabetical letters and numerals (including an extension).
2. Do not affix a name to a file inside a folder having the same name.

Number of files or folders

1. Up to 999 files can be recognized per folder.
Up to 99 folders can be recognized.
Up to 3000 files can be played.
2. Some noise may occur depending on the type of encoder software used while recording.

Pausing play

1. Press the [4] button to pause play. "PAUSE" appears in the display.
2. To resume play, press the [4] button again.

Selecting a track

Track-up

1. Press the [▶▶] button to skip ahead to the beginning of the next track.
2. Each time you press the [▶▶] button, the track advances ahead to the beginning of the next track.

Track-down

1. Press the [◀◀] button to go back to the beginning of the current track.
2. Press the [◀◀] button twice to go back to the beginning of the previous track.

Fast-forward/Fast-reverse

Fast-forward

Press and hold the [▶▶] button .

Fast-reverse

Press and hold the [◀◀] button .

* For the USB with many files, it takes some time until the start of searching and between tracks. In addition, some errors may occur in the play time.

Folder Select

This function allows you to select a folder containing MP3/WMA files and start playing from the first track in the folder.

1. Press the [5] or [6] button.
Press the [6] button to move to the next folder. Press the [5] button to move to the previous folder.
2. To select a track, press the [◀◀] or [▶▶] button.

Search Function

1. Press the [MENU] button to enter FOLDER SEARCH mode.
2. Turn the [UP/DOWN] knob to select a folder.
3. Press the [ENT] button to enter the file list search mode. The track list appears in the display.
4. Turn the [UP/DOWN] knob to select a track.
5. Press the [ENT] button to play.

* When playing back MP3 / WMA file, this function is performed in the current folder.

Top function

The top function resets to the first track of the storage. Press [4] button to play the first track (track No. 1).

* In case of MP3/WMA, the first track of the current folder will be played.

Other various play functions

Scan play

This function allows you to locate and play the first 10 seconds of all the tracks.

Press the [1] button to perform scan play.

Repeat play

This function allows you to play the current track, tracks currently being played in the folder, or all the tracks repeatedly.

USB Operations

1. Press the [2] button once or more until "REPEAT ONE" appears on the display to perform repeat play, and "↺" segment lights on.
2. Press [2] button repeatedly until "REPEAT FOLD" appears on the display for folder repeat play.
3. Press [2] button repeatedly until "REPEAT ALL" appears on the display for all tracks repeat play.
4. Press [2] button repeatedly until "REPEAT OFF" appears on the display to cancel repeat playback, and "↺" segment goes off.

Random play

This function allows you to play all tracks in a random order.

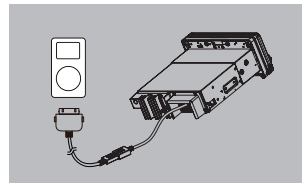
Press the [3] button to perform random play, and "↻" segment lights on.

iPod, iPhone & iPad Operations

Connect

Connect an iPod, iPhone or iPad to the USB connector via accessory cable for iPod/iPhone/iPad.

When connecting a device, the unit will read the files automatically. The track information displays on the screen once playback starts.



MENU

Press [MENU] button, rotate the [UP/DOWN] knob to select from PLAY LIST / ARTIST / ALBUM / GENRE / SONGS / COMPOSERS / AUDIO BOOK / PODCASTS, press the [ENT] button to confirm.

Play/Pause

Press the [4] button on the panel or [▶▶] on the remote control for play/pause.

Repeat play

This function allows you to play the current track repeatedly or play all tracks in your iPod/iPhone repeatedly.

1. Press the [2] button until "REPEAT ONE" appears on the LCD to perform repeat play current song.

2. Press the [2] button until "REPEAT ALL" appears on the LCD to perform repeat play all songs.
3. Press [2] button repeatedly until "REPEAT OFF" appears on the LCD to cancel repeat playback.

Random play

This function allows you to play all tracks recorded on your iPod/iPhone in a random order.

1. Press the [3] button once or more until "RANDOM ON" appears on the LCD to perform random play.
2. Press [3] button repeatedly until "RANDOM ALBUM" appears on the LCD for album random play.

iPod, iPhone & iPad Operations

3. Press [**3**] button repeatedly until **"RANDOM OFF"** appears on the LCD to cancel random playback.

iPod menu alphabet search

This function searches the subfolders for desired alphabetical letters.

1. Press the [**MENU**] button to select the iPod menu mode.
2. Rotate the [**UP/DOWN**] knob to switch between categories.
PLAY LIST, ARTIST, ALBUM, GENRE, SONGS, COMPOSERS, AUDIO BOOK, PODCASTS.
3. Press the [**ENT**] button. (The contents of the category are displayed.)
4. Rotate the [**UP/DOWN**] knob to select the desired letter to search.
5. Press the [**ENT**] button to confirm.

Listening to Pandora®

You can stream Pandora internet radio by connecting an iPod/iPhone/iPad that has the Pandora mobile application already installed. To start streaming, connect the iPod/iPhone with Pandora already launched. In Pandora mode, when the unit displays **"PLEASE LAUNCH PANDORA APPLICATION ON MOBILE DEVICE"**, please launch the Pandora Application by operating the iPod/iPhone connected.

1. Press the [**SRC**] button to enter the Pandora mode.

Selecting a station from list

Press the [**MENU**] button and select **"BY DATE"** or **"BY NAME"** by rotating the [**UP/DOWN**] knob and press the [**ENT**] button.

- BY DATE: List in an created date order
- BY NAME: List in an alphabetical order

Go to next station or previous station(in alphabetical order)

Rotate the [**UP/DOWN**] knob on the panel anticlockwise to go to previous station.

Rotate the [**UP/DOWN**] knob on the panel clockwise or press the [**BAND/TOP**] button on the remote control to go to next station.

Thumbs up/down

Thumbs up:

Press the [**6**] button on the panel or the [**RPT**] button on the remote control for thumbs up. Giving a track the thumbs up will tell Pandora to play more tracks like that one.

Thumbs down:

Press the [**5**] button on the panel or the [**SCN**] button on the remote control for thumbs down. Giving a track the thumbs down will skip to the next track (subject to skip limit), and Pandora will remember not to play that track on the station again.

Notes:

- You can personalize your stations by "thumbs up" or "thumbs down".
- If you give a track the thumbs down after the skip limit has been exceeded, your feedback will be saved but the current track will continue to play.

BOOKMARK track

Short-press the [**2**] button to Bookmark current track.

BOOKMARK artist

Short-press the [**3**] button to Bookmark current artist.

Skip

Press the [**▶▶**] button on the panel or on the remote control for the next tracks in station.

Note:

- Pandora limits the number of skips allowed on their service. If you attempt to skip tracks beyond the limit, **"SKIP LIMIT"** is displayed.

Play/Pause

Press the [**4**] button on the panel or [**▶▶**] on the remote control for play / pause.

Bluetooth Operations

The Bluetooth allows you to utilize your boat's built-in audio system for wireless mobile phone or music handsfree communication. Some Bluetooth mobile phones have audio features and some portable audio players support Bluetooth features. This system can play audio data stored in a Bluetooth audio device.

Notes:

- Do not leave the microphone of Bluetooth handsfree in the places with wind passing such as air outlet of the air conditioner, etc. This may cause a malfunction.
- Do not leave device in direct sunlight or exposed to high temperatures. Extreme heat can cause distortion and discoloration which may result in a malfunction.
- This system will not operate or may operate improperly with some Bluetooth audio players.
- **Clarion** cannot guarantee the compatibility of all mobile phones together with unit.

BT Pairing

1. Turn on Bluetooth function of your mobile phone.
2. Enter mobile phone's Bluetooth setup menu.
3. Search for new Bluetooth devices.
4. Select **M606** from the pairing list on the mobile phone.
5. Enter **"0000"** as the password if necessary (The password default setting is **"0000"**).
6. After pairing successfully, **"BT AUDIO"** will appear on the LCD for 1 second.
7. Press [**SRC**] button to select **"BT AUDIO"**.
8. The unit can connect up to three units.

- During pairing, depending on type of mobile phone, a six digit PIN code will be shown on both the source unit's display and the mobile phone. In this case, please make sure that you have the same PIN code on both devices, and then confirm on the mobile phone.

Audio Streaming Operations

What is audio streaming?

Audio streaming is a technique for transferring audio data such that it can be processed as a steady and continuous stream. Users can stream music from their external audio player to their boat stereo wirelessly and listen to the tracks through the boat's speakers. Please consult your nearest **Clarion** dealer for more information on the product of wireless audio streaming transmitter offered.

CAUTION

Please avoid operating your connected mobile phone while audio streaming as this may cause noise interference on the song playback.

Depending on your mobile phone, audio streaming may or may not resume after a telephone interruption.

System will always return to Radio mode if audio streaming is disconnected.

Note:

Be sure to read the chapter "Pairing" before proceeding.

Play / Pause a track

1. Press the [**4**] button or [**▶▶**] button on the remote control to pause audio playback.
2. To resume audio playback, push the [**4**] button or [**▶▶**] button on the remote control again.

Selecting a track


Track-up

1. Press the [**▶▶**] button to move to the beginning of the next track.
2. Each time the [**▶▶**] button is pressed, playback proceeds to another track in the advancing direction.

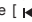
Track-down

1. Press the [**◀◀**] button to move to the beginning of the previous track.

Bluetooth Operations

- Each time the [] button is pressed, playback proceeds to previous track in the reverse direction.

Note:

Playing order will depend on Bluetooth audio player. When the [] button is pressed, some A2DP devices will restart the current track depending on the duration of playback. During music streaming playback, "A2DP" will be shown on the display. Information about tracks (e.g. the elapsed playtime, song title, etc.) cannot be displayed on this unit. When an A2DP device is disconnected, "NO DEVICE" will be shown on the display and the unit will return to previously selected audio source. Some Bluetooth audio players

may not have play / pause synchronized with this unit. Please make sure both device and main unit are in the same play / pause status in **BT MUSIC** mode.

ID3 display

During music streaming playback, for music information that is longer than the display panel:


When SCROLL is ON, the LCD will display ID3 TAG information cyclely, e.g:

ALBUM->TITLE->ARTIST..

When SCROLL is OFF, the LCD will display one of the ID3 TAG information, the default is TRACK, but user can adjust it to other ID3 TAG information by press the [DISP] button.

AUX Operations


The rear AUX terminals of this system is provided to allow playback of sounds and music from external devices connected to this unit.

Press [ SRC] button on the panel to select "AUX".

AUX Input sensitivity setting

Select the following settings to set the sensitivity level of the sound from an external device connected to this system, that are difficult to hear, even after adjusting the volume.

* The factory default setting is "MID".

- Long press the [DISP] button.
- Press the [] button until "AUX SENSE" appears in the display.
- Rotate the [UP/DOWN] knob to select "HIGH", "MID" or "LOW".

Note:

- When AUX mode is selected, AUX IN sensitivity can be set.

6. TROUBLE SHOOTING

GENERAL

Problem	Cause	Measure
Unit can not power on.	Unit fuse blown.	Replace with new fuse of correct rating.
	Boat battery fuse blown.	Replace with new fuse of correct rating.
Unit can not power on. Nothing happens when buttons are pressed.	The microprocessor has malfunctioned due to noise, etc.	Turn off the power and open the front panel. Press the [RESET] button with a thin rod.
Display is not accurate.		Note: When the [RESET] button is pressed, turn off the ACC power.* * When the [RESET] button is pressed, frequencies of radio stations, titles, etc. stored in memory are cleared.
No/low audio output.	Improper audio output connection.	Check wiring and correct.
	Volume set too low.	Increase volume level.
	Speakers damaged.	Replace speakers.
	Heavily biased volume balance.	Adjust the channel balance to center position.
Unit resets itself when engine is off.	Speaker wiring is in contact with metal part of boat.	Insulate all speaker wiring connections.
	Speaker power rating does not match unit.	Replace speakers.
	Wrong connections.	Check wiring and correct.
	Speaker is shorted.	Check wiring and correct.
Unit resets itself when engine is off.	Incorrect connection between ACC and Battery.	Check wiring and correct.

USB

Problem	Cause	Measure
USB device cannot be inserted.	The USB device has been inserted with wrong direction.	Reversing the connection direction of the USB device, try it again.
	The USB connector is broken.	Replace with a new USB device.
USB device is not recognized.	The USB device is damaged.	Disconnect the USB device and reconnect. If the device is still not recognized, try replacing with a different USB device.
	Connectors are loose.	
No sound heard with the display "No File" shown.	No MP3/WMA file is stored in the USB device.	Store these files properly in the USB device.
Sound skips or is noisy.	MP3/WMA files are not encoded properly.	Use MP3/WMA files encoded properly.

SiriusXM Advisory Messages

Message	Description
CHECK TUNER	Check the SiriusXM tuner connection on the back of the unit to ensure that it is correctly connected.
CHECK ANTENNA	Ensure the SiriusXM antenna cable is connected to the SiriusXM tuner correctly. Check the SiriusXM antenna wire for breaks or sharp bends. Replace the antenna if necessary. SiriusXM products are available at your local car audio retailer or online at www.shop.siriusxm.com .
NO SIGNAL	The antenna must have a clear view of the southern sky. The magnetic antenna must be mounted on the outside of the boat for the best reception.
CHAN UNSUB	This channel is not included in your SiriusXM subscription plan. In the U.S.A., visit www.siriusxm.com or call 1-866-635-2349 if you have questions about your subscription package or would like to subscribe to this channel. In Canada, visit www.siriusxm.ca or call 1-877-438-9677.
CH UNAVAIL	This channel is not a valid SiriusXM channel. The channel number has been entered incorrectly, or the channel was removed from the SiriusXM channel lineup. Visit www.siriusxm.com for more information about the SiriusXM channel lineup.
CH LOCKED	The selected channel has been locked by the parental controls, or a mature channel has been selected. A prompt to enter the unlock code will appear. Enter the unlock code as described on page 11.
SUBSCRIPTN UPDATED	An update to your SiriusXM subscription has been received by the SiriusXM tuner. Press any button to continue.

Bluetooth

Problem	Cause	Measure
Cannot pair the Bluetooth enabled device with the boat audio system.	The device does not support the profiles required for the system.	Use another device to connect.
	The Bluetooth function of the device is not enabled.	Refer to the user manual of the device for how to enable the function.
The audio quality is poor after connection with a Bluetooth-enabled device.	The internal microphone gain is not set correctly.	Adjust the gain of the internal microphone in System Setup.

7. ERROR DISPLAYS

If an error occurs, one of the following errors is displayed. Take the measures described below to solve the problem.

Display	Cause	Measure
ERROR 2	Do not support iPod, iPhone & iPad.	Change another device. * The head unit will return to RADIO mode.

If an error display other than the ones described above appears, press the **[RESET]** button. If the problem persists, turn off the power and consult your store of purchase.

* When the **[RESET]** button is pressed, frequencies of radio stations, titles, etc. are stored in memory are cleared.

8. SPECIFICATIONS

FM Tuner

Frequency Range:
 North America: 87.9-107.9MHz
 Europe: 87.5-108MHz
 Asia & Australia: 87.5-108MHz
 Usable Sensitivity: 8 dB μ V
 Alternate Channel Selectivity: 60 dB
 Stereo Separation (1 kHz): 30 dB
 Frequency Response (± 3 dB):
 30 Hz to 15 kHz

AM Tuner

Frequency Range:
 North America: 530 kHz to 1710 kHz
 Europe: 531 kHz to 1602 kHz
 Asia & Australia: 531 kHz to 1629 kHz
 Usable Sensitivity: 28 dB μ V

WB Tuner

Frequency Range: 162.400 to 162.550 MHz
 Step length: 25 kHz

MP3/WMA mode

MP3 sampling rate: 8 kHz to 48 kHz
 MP3 bit rate: 8 kbps to 320 kbps / VBR
 WMA bit rate: 8 kbps to 320 kbps
 Logical format: ISO9660 level 1,2
 Joliet file system

USB

Specification: USB 1.1
 Playable audio format:
 MP3(.mp3): MPEG 1/2/Audio Layer-3
 WMA(.wma): Ver 7/8/9.1/9.2

Bluetooth

Specification: Bluetooth Ver. 2.1+EDR
 Profile:
 A2DP (Advanced Audio Distribution Profile)
 AVRCP (AV Remote Control Profile)
 Send/Receive Sensitivity: Class 2

Audio Amplifier

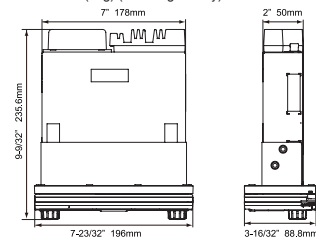
Maximum Power Output: 180 W (45 W \times 4 ch)
 Bass Control Action (100 Hz): +6 dB, -6 dB
 Treble Control Action (10 kHz): +6 dB, -6 dB
 Line Output Level (USB 1 kHz): 4 V

Input

Audio input sensitivity:
 High: 320mV (at 1V output)
 Mid: 650mV (at 1V output)
 Low: 1.3V (at 1V output)
 (input impedance 10 k Ω or greater)
 Aux-in level: ≤ 2 V

General

Power supply voltage:
 14.4VDC (10.8 to 15.6V allowable),
 negative ground
 Pre-Amp output voltage:
 4.0V (USB play mode: 1kHz, 0dB, 10k Ω load)
 Fuse: 15A
 Dimensions of the Main Unit:
 196mm Width \times 88.8mm Height \times 235.6mm Depth
 7-23/32(width) \times 3-16/32(Height) \times
 9-9/32(Depth)
 Weight of the Main Unit: 1.94 lb. (0.88 kg)
 Dimensions of the Remote Control unit:
 43mm Width \times 11mm Height \times 113mm Depth
 1-2/3(Width) \times 2/5(Height) \times 4-2/5(Depth)
 Weight of the Remote Control Unit:
 1.16oz. (36g) (including battery)



Note:

- Specifications and design are subject to change without notice for further improvement.

Power Output:
 18W RMS \times 4 Channels at 4 Ω
 and 1% THD+N

Signal to Noise Ratio:
 94dBA (reference: 1W into 4 Ω)



9. INSTALLATION / WIRE CONNECTION GUIDE

CONTENTS

1) Before Starting	17
2) Package Contents	17
3) General Cautions	17
4) Cautions on Installation	17
5) Installing the Source Unit	17
6) Cautions on Wiring	18
7) Sample Systems	18
8) Wiring and Connections	19/20
9) Connecting the accessories	19/20

1) Before Starting

1. This set is intended exclusively for use with a negative ground 12V power supply.
2. Read these instructions carefully.
3. Be sure to disconnect the battery "terminal" before starting. This is to prevent short circuits during installation. (Figure 1)

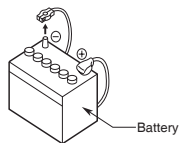


Figure 1

2) Package Contents

Source unit	1	Screws M4x30 mm	6
Hole block seal (black)	1	Power supply cable	1
Support strap	1	Owner's manual.....	1
M4 Nut.....	1	Warranty card.....	1
M4 washer	2	Installation template.....	1

3) General Cautions

1. Do not open the case. There are no user serviceable parts inside. If you drop anything into the unit during installation, consult your dealer or an authorized **Clarion** service center.
2. Use a soft, dry cloth to clean the case. Never use a rough cloth, thinner, benzine, or alcohol etc. For tough dirt, apply a damp soft cloth and wipe dirt off gently.

4) Cautions on Installation

1. Prepare all articles necessary for installing the source unit before starting.
2. Install the unit within 30° of the horizontal plane. (Figure 2)
3. If you have to do any work on the boat body, such as drilling holes, consult your boat dealer beforehand.
4. Use the enclosed screws for installation. Using other screws can cause damage. (Figure 3)

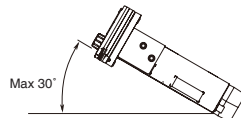


Figure 2

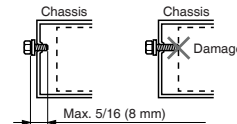


Figure 3

5) Installing the Source Unit

• Marine stereo mounting dimensions

Using the supply template to cut the hole and drill the holes. (Figure 4)

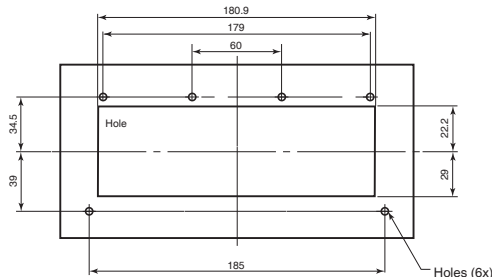


Figure 4

CAUTION
Drill appropriately prepared holes at the 6 places for fixing the screw depending on the materials and plate thickness of the panel.

1. Insert the source unit into the cutout hole until to the end. (Figure 5)
2. Using the supply screws (4 x 30) to secure the source unit. (Figure 5)
3. Using support strap to secure the source unit on the back side by supply M4 nut. (Figure 5)

Note:

Some boat models require special mounting kits for proper installation. Consult your **Clarion** dealer for details.

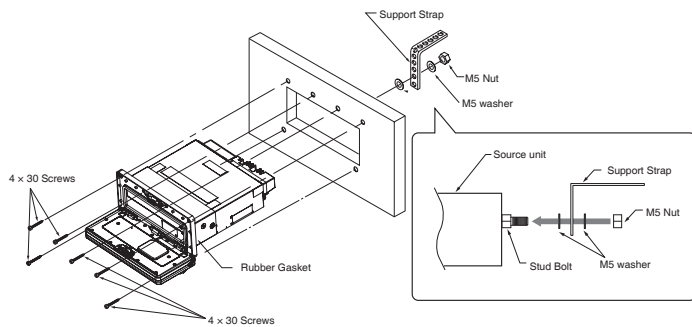


Figure 5

Note:

Confirm that the rubber gasket is fastened securely to the base panel.

6) Cautions on Wiring

1. Be sure to turn the power off when wiring.
 2. Be particularly careful where you route the wires. Keep them well away from the engine, exhaust pipe, etc. Heat may damage the wires.
 3. If fuse is blown, check that the wiring is correct. If it is, replace the fuse with a new one with the same amperage rating as the original one.
 4. To replace the fuse, open the lock on the source unit side, remove the old fuse and insert the new one. (Figure 6)
- * There are various types of fuse cases. Do not let the battery side terminal touch other metal parts.

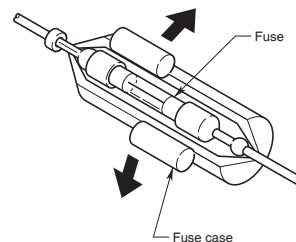
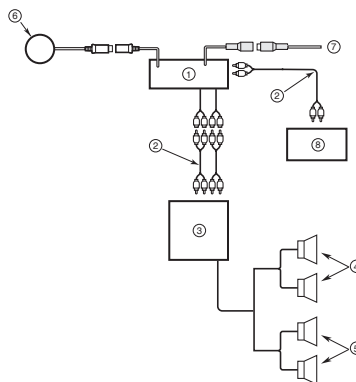


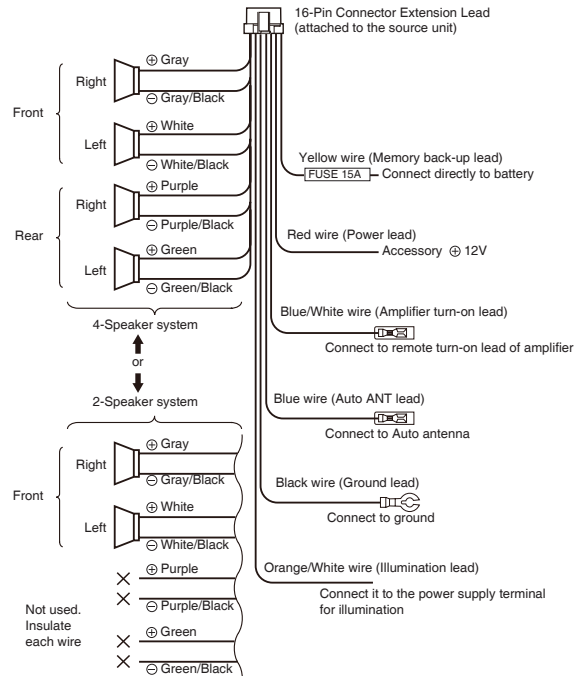
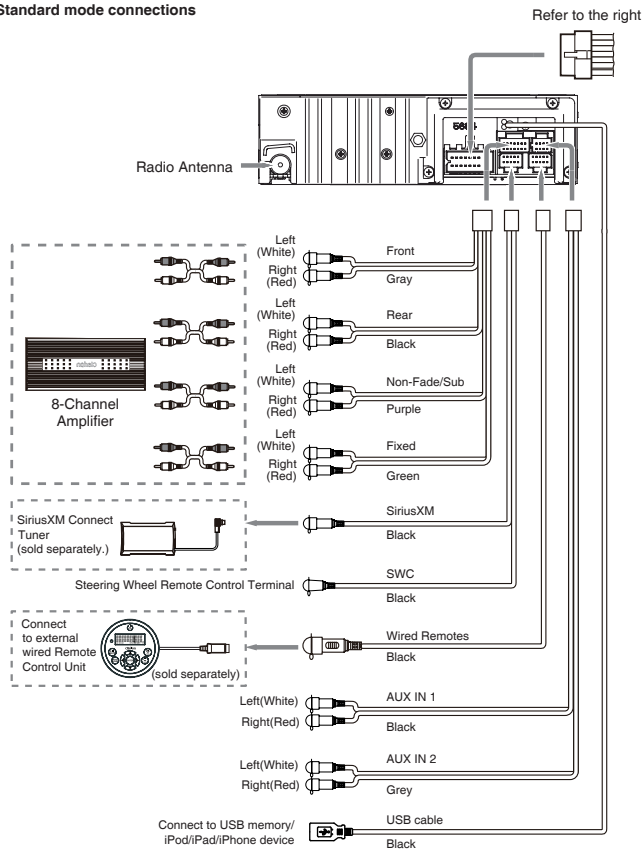
Figure 6

7) Sample Systems

1	Source unit
2	RCA extension cable (sold separately)
3	4-Channel power amplifier
4	Front speakers
5	Rear speakers
6	Wired remote control unit
7	SiriusXM-Connect Boat Tuner
8	AUX

8) Wiring and Connections

Standard mode connections

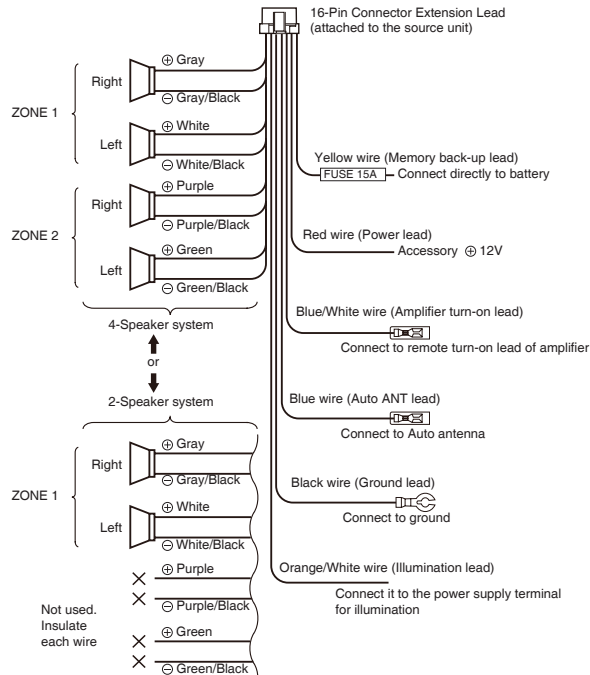
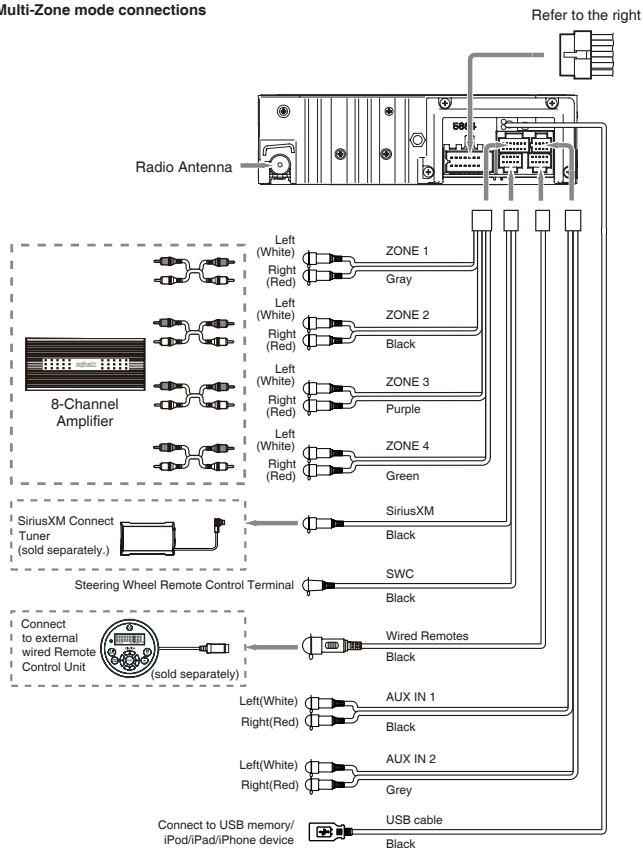


9) Connecting the accessories

- Connecting to the external amplifier**
 External amplifiers can be connected to the 4 channel RCA output connections. Ensure that the connectors are not grounded or shorted to prevent damage to the unit.
- If M606 is connected as a MULTI-ZONE system with Zone 3 and Zone 4 RCAs connected to amplifiers, do not switch M606 to STANDARD mode. Doing so will cause the Zone 3 amplifier to reproduce only low frequencies and the Zone 4 amplifier to reproduce full range frequencies at maximum volume. This may result in potential speaker and/or hearing damage.

8) Wiring and Connections

Multi-Zone mode connections



9) Connecting the accessories

• Connecting to the external amplifier

- External amplifiers can be connected to the 4 channel RCA output connections. Ensure that the connectors are not grounded or shorted to prevent damage to the unit.
- If M606 is connected as a MULTI-ZONE system with Zone 3 and Zone 4 RCAs connected to amplifiers, do not switch M606 to STANDARD mode. Doing so will cause the Zone 3 amplifier to reproduce only low frequencies and the Zone 4 amplifier to reproduce full range frequencies at maximum volume. This may result in potential speaker and/or hearing damage.

Clarion Co., Ltd.

Copyright © 2016 Clarion Co., Ltd.
Printed in China / Imprimé en Chine / Impreso en China