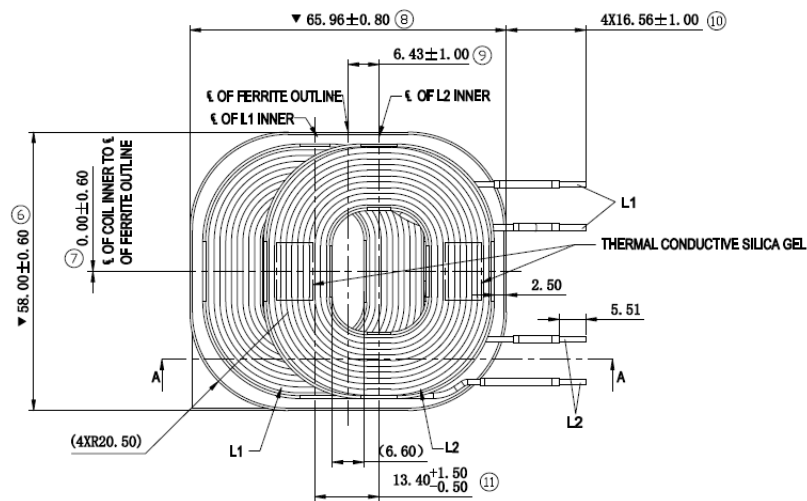


无线充电 Coil 天线规格书

1、天线参数:

| Item | Specification |
|--------------------------|--|
| Operating Frequency(MHz) | 0.1277 |
| Operating temperature | -40°C ~ +105°C |
| Storage temperature | -40°C ~ +125°C |
| Modulation | FSK |
| Brand | Luxshare |
| Antenna Type/Model | MP-A27 |
| Manufacture | Luxshare-ICT |
| Address | THE intersection Between Xiyuan Road and Xigu Road,Songshuping village,Liujiaoting Sub-district,Enshi city,Hubei province, China |

2、天线照片：



NOTS:

- 1.L1=9.8UH±10%; L2=10.2±10% (100KHz 1.0V) ;
- 2.DCR1: 60MΩ MAX; DCR2=65MΩ MAX;
- 3.TURNS:L1=11TS Ø0.06X200P; L2=12TS Ø0.06X200P;
- 4.OPE. TEMP: -40°C TO 105°C; STORE. TEMP: -40°C TO 125°C;
- 5.OTHER: Ø0.06X200P EQUIVALENT CROSS SECTION AREA: 0.567MM² (REF) ;
- 6.CORE 1=CORE 2, CORE MATERIAL : PC95;
- 7.TEMPERATURE RESISTANCE:
COIL ADHESIVE : -55°C-180°C;
DOUBLE COATED TISSUE TAPE: -55°C-120°C;

NFC 天线规格书

1、天线参数：

| Item | Specification |
|--------------------------|----------------|
| Operating Frequency(MHz) | 13.56 |
| Operating temperature | -40°C ~ +85°C |
| Storage temperature | -40°C ~ +105°C |
| Modulation | FSK |
| Brand | Luxshare |
| Antenna Type/Model | WPC032 antenna |

| | |
|-------------|--|
| Manufacture | Kinwong |
| Address | Chengxi Industrial Park Jishui County Ji'an City Jiangxi Province,P.R.China |

2、天线照片：

