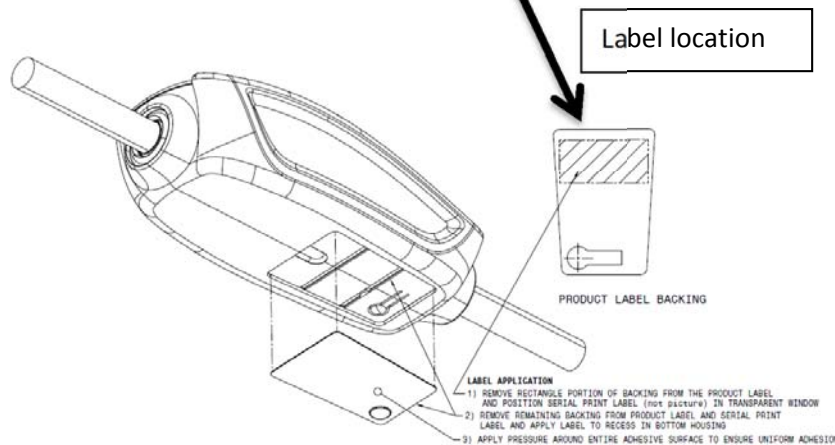
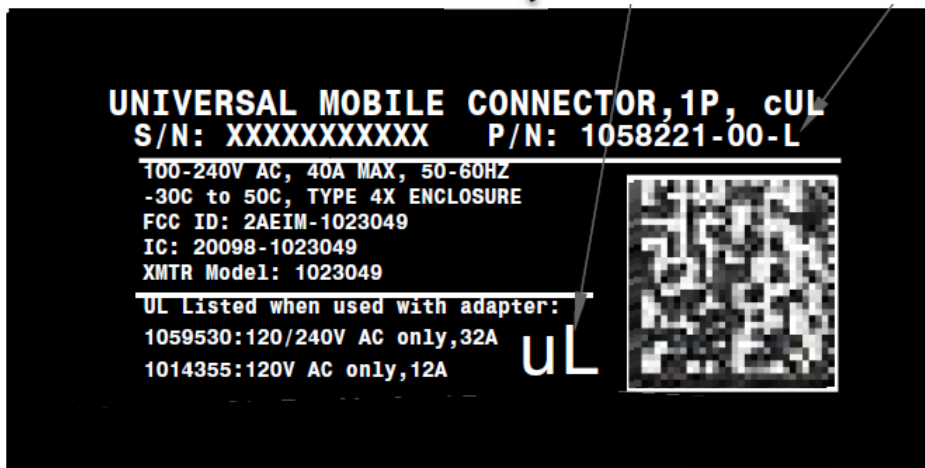


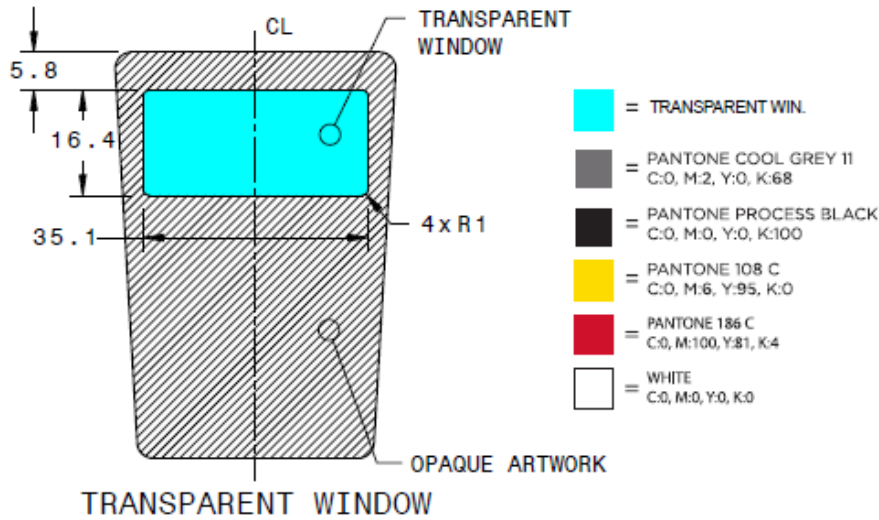
Universal Mobile Connector (UMC) FCC and IC Label and Location

1) Label location on the UMC (Universal Mobile Connector):



NOTES:

- 1) THE LABEL SHALL BE OUTDOOR RATED AND UL 969 COMPLIANT.
- 2) LABEL MATERIAL: 0.01035 8835F POLYCARBONATE.
- 3) ADHESION SUBSTRATE: SABIC EXL9330.
- 4) ADHESIVE MATERIAL: 3M 9472 OR EQUIVALENT.
- 5) CUT TOLERANCE: +/- 0.01035



ACTUAL ARTWORK