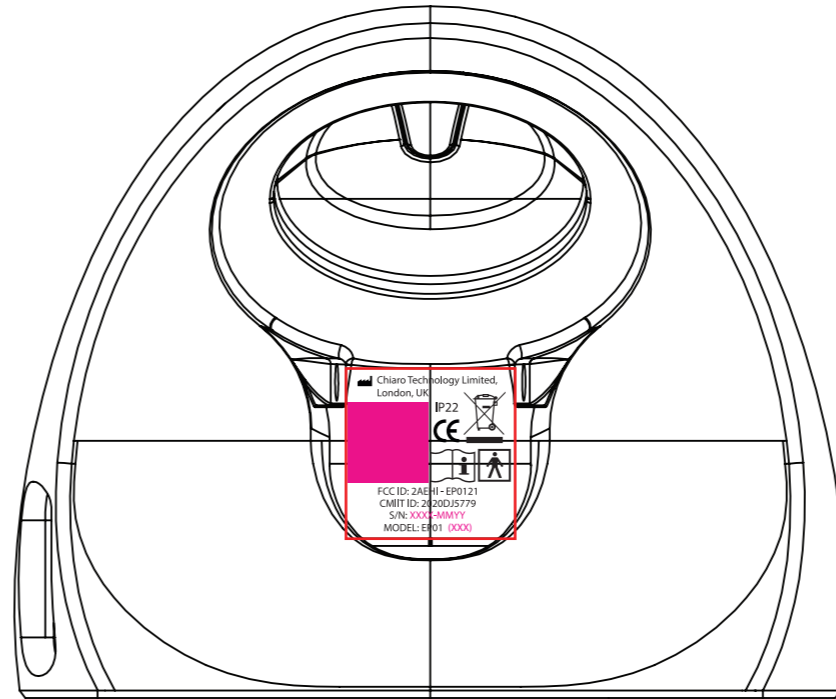


Chiaro Technology Limited,
London, UK
IP22
FCC ID: 2A5H1-EP0121
CMIIT ID: 2020J5779
S/N: XXXX-XXXX
MODEL: EP01 (XXXX)



DO NOT PRINT THE RED BORDER