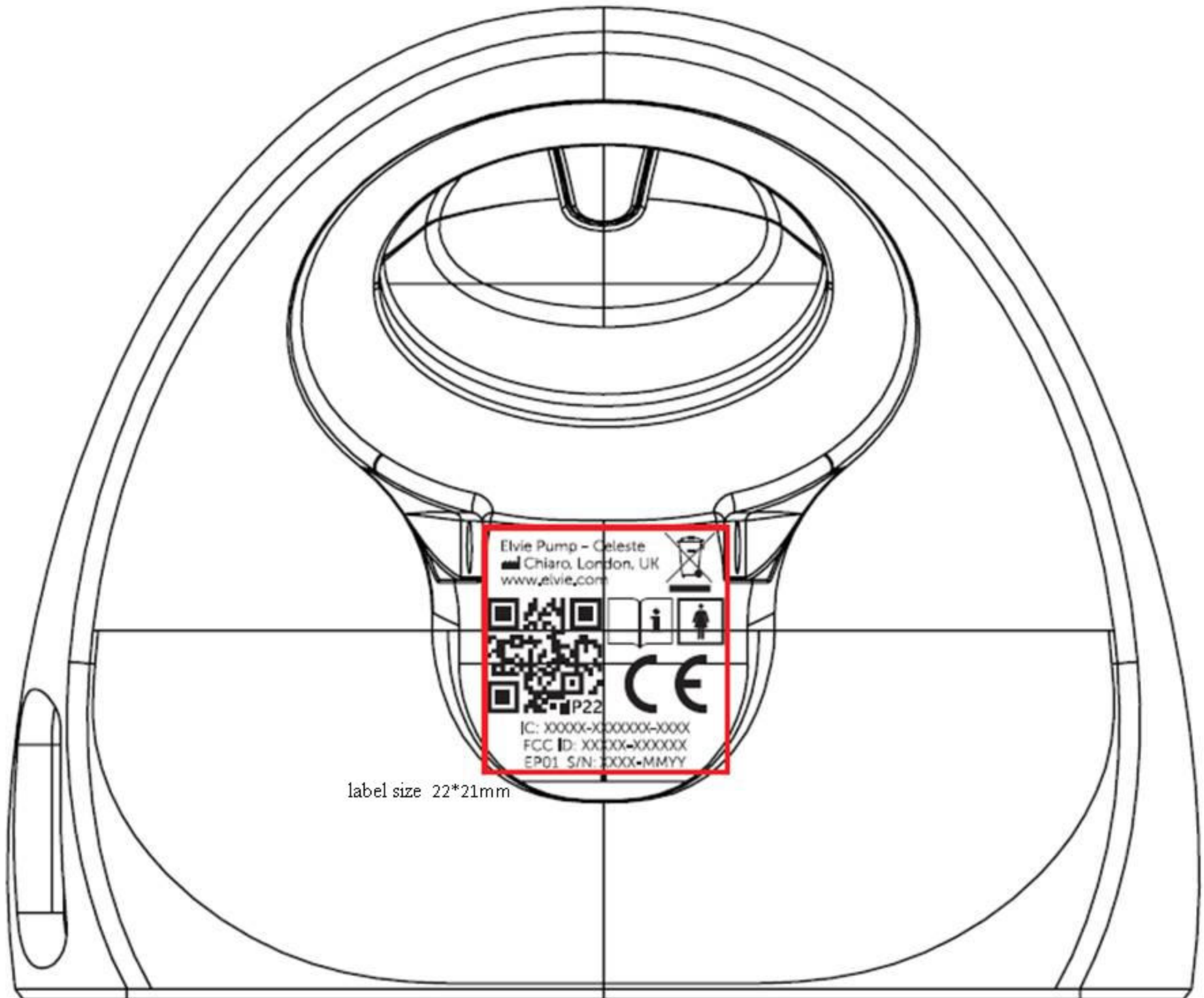


Elvie Pump - Celeste
 Chiaro Technology
London, UK
www.elvie.com



FCC ID: 2AEHI - 5060442520035
EP01 S/N: **XXXX-MMY**



label size 22*21mm

Statement is on the packing and user manual as the small size of the product