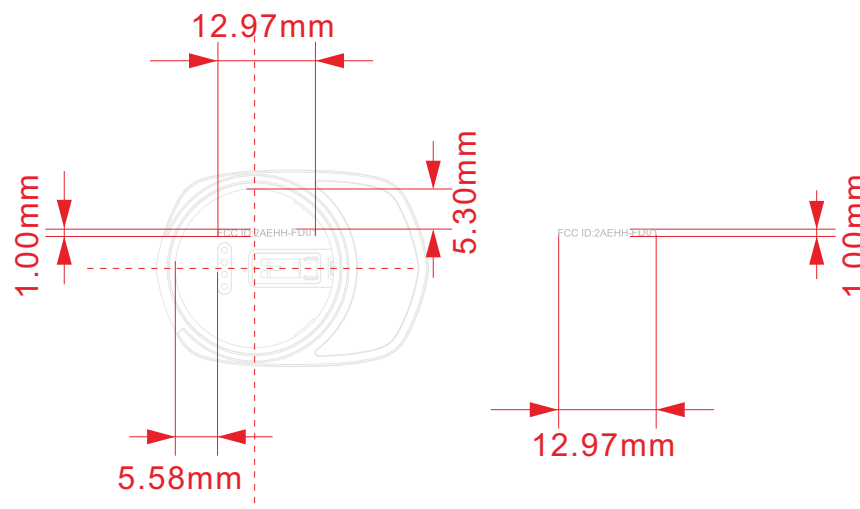


Fd01 Battery compartment laser carving

镭雕



- 字符填充镭雕
- 不要描边