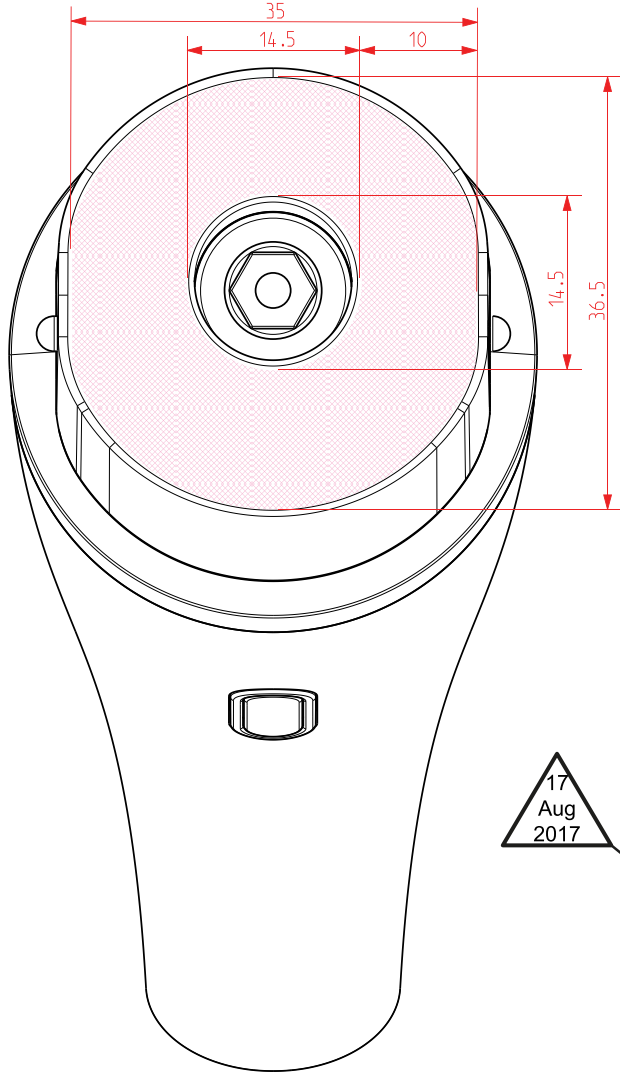


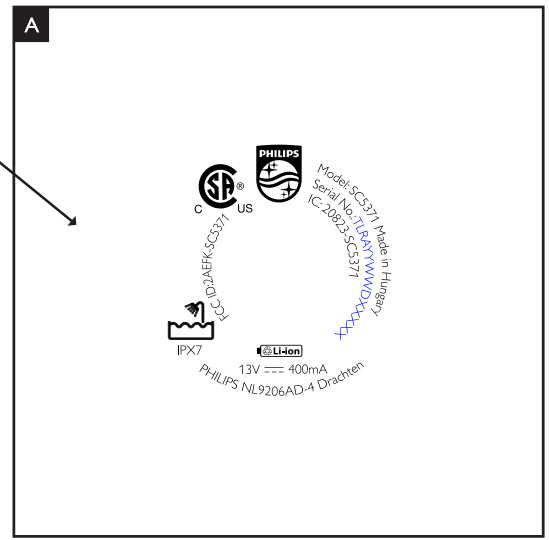
ALL RIGHTS ARE RESERVED. REPRODUCTION IN WHOLE OR IN PART IS PROHIBITED WITHOUT THE WRITTEN CONSENT OF THE COPYRIGHT OWNER.

ISEB-08248 V1.0



17 Aug 2017

17 Aug 2017



Composition of serial number:
 TL Site Code for Videoton
 R Release status, which is indicated by the last digit of M-BOM (0 for unreleased product, 1 for released product)
 A Service version (always fixed as A)
 YY Year
 WW Week
 D Day (1 for Monday)
 XXXXX Follow-up number (5 digits starting at 00001 at the first day of each production week)

CN:DCxxxxxxxx		TREATMENT LASER ENGRAVING		COUNTRIES USA, CANADA.	
SCALE 1:1	UNIT mm				
PROJ FIRST ANGLE	TYPEPLATE PURITY SC5371 USA/CANADA			2	17 Aug 17
				1	03 MAR 17
NAME M. Sillié	SUPERS 1	10	110 - 1	A4	
CHECK	DATE 15 SEP 16	© KONINKLIJKE PHILIPS ELECTRONICS N.V. 2016			