

PROJECT

LOCATION: Amsterdam
BUSINESS GROUP: Personal Health
PROJECT NO: 00057611
COLOUR NAME: Xxx

PROJECT TEAM

DOC CREATOR: Pascal Kuijpers
PGD: Pascal Kuijpers
PD: Frank Verbrugge
VTA: Joerka Koenders
CMM: lustin Iftime
I&D: -

GENERAL

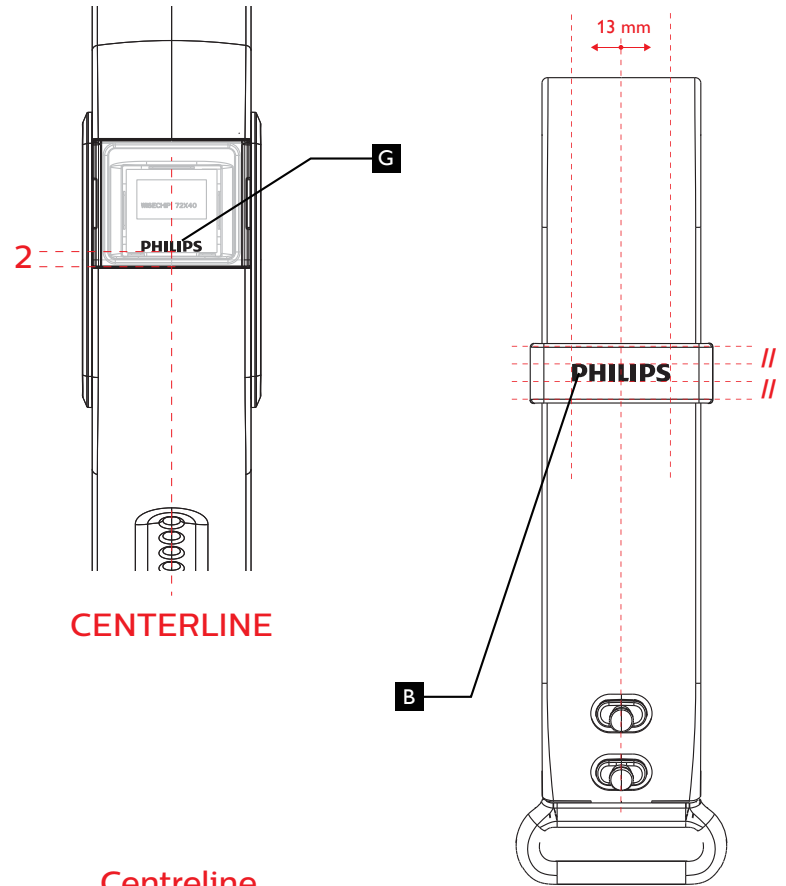
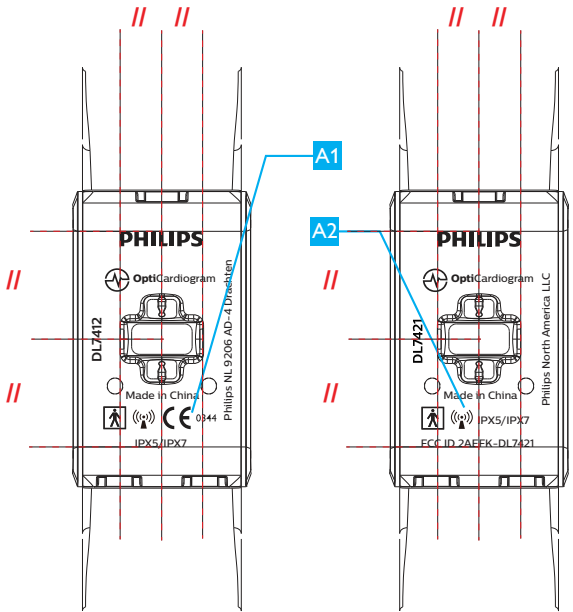
SCALE: 100%
UNITS: mm
PAPER: A4

VERSION (v) BY

08: 2017-02-17 PK
09: 2017-03-06 PK
10: 2017-03-10 PK
11: 2017-03-20 PK
12: 2017-05-09 PK
13: 2017-05-10 PK

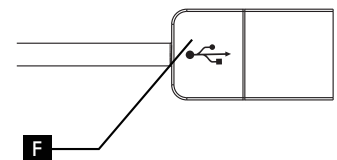
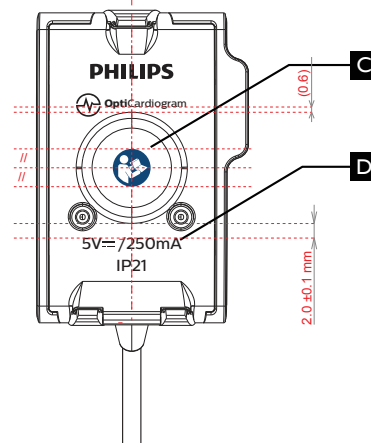
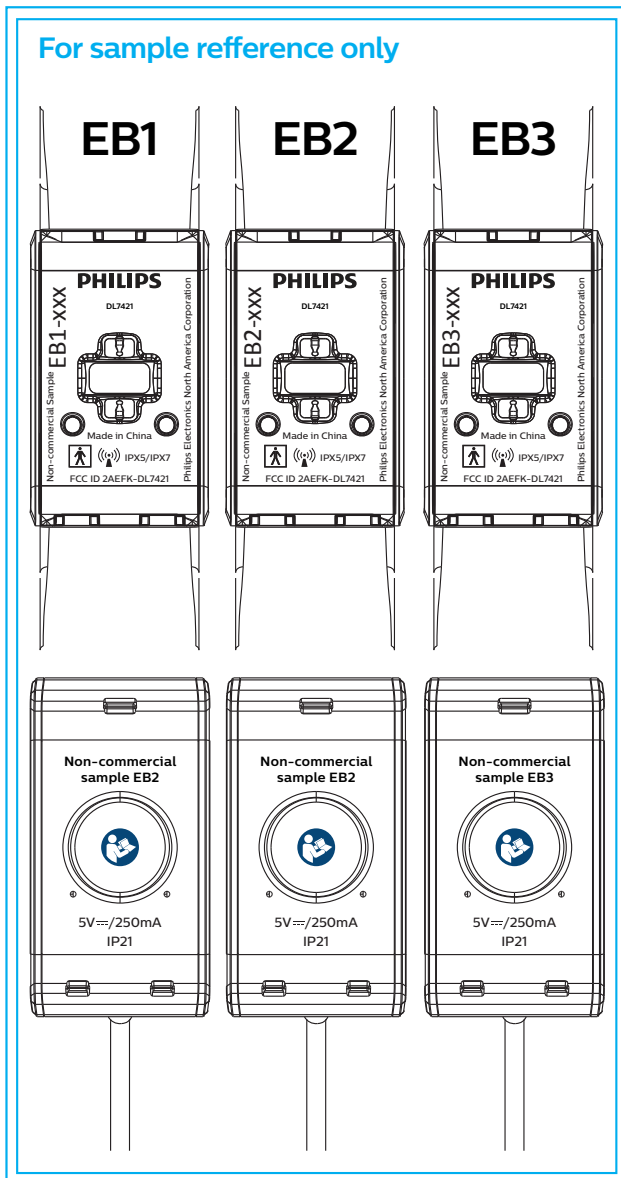
STATUS

FINAL
DATE CREATED
 2016-09-16



CENTERLINE

Centreline



PART		DL741x EU	DL742x USA	-
A1	Typeplate EU	Colour: - Technique: Lasered	N/A N/A	--
A2	Typeplate USA	Colour: N/A Technique: N/A	- Lasered	
B	Wordmark band	Colour: - Technique: In mould	- In mould	
C	manual icon	Colour: RAL 5005 Technique: Printed	RAL 5005 Printed	
D	typenlabel charger	Colour: - Technique: Lasered	- Lasered	
E	-	Colour: - Technique: -	- -	
F	USB Symbol	Colour: - Technique: In mould	- In mould	
G	Wordmark	Colour: cool Grey 10C Technique: Printed	cool Grey 10C Printed	
H		Colour: Technique:		
I		Colour: Technique:		
J		Colour: Technique:		

