

OTTERBOX INDUSTRIAL

HARDLINE SERIES QUICK START GUIDE GUIDE DE DÉMARRAGE RAPIDE DE LA SÉRIE HARDLINE

PRODUCT SAFETY & GENERAL INFORMATION:

CAUTION: Before using this mobile device ("Device"), read this entire pamphlet which contains important operating instructions.

1. This equipment is suitable for use in Class I and Class II, Division 2, and Class III Divisions 1 and 2, Groups A, B, C, and D, T5 Hazardous Locations or Non-Hazardous Locations only.
2. Ambient Temperature Range: -20°C to +45°C
3. Temperature Code: T5

4. **WARNING** - Do not attempt to charge device while in a potentially hazardous environment

COMPLIANCE WITH MECHANICAL & ELECTRICAL STANDARDS:

This Device and OtterBox Hardline Series case have gone through a certified installation process and, together, constitute a complete mobile solution ("Certified Solution") that meets the following standards for use in the stated hazardous locations ("Hazardous Locations"):

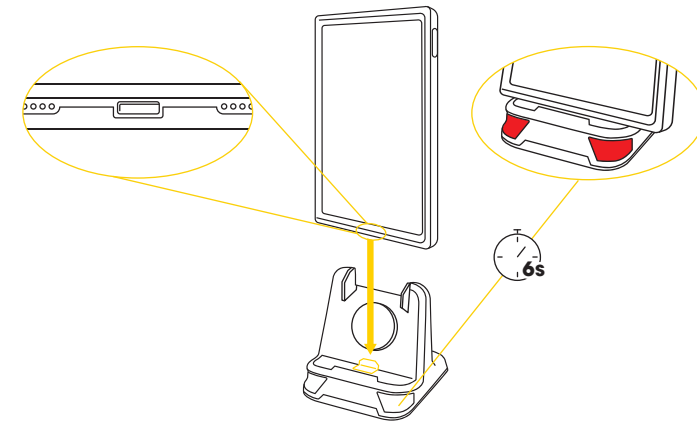
1. UL 121201 Nonincendive Electrical Equipment for Use in Class I and II, Division 2 and Class III, Divisions 1 and 2 Hazardous (Classified) Locations.
2. UL 60950-1 & CAN/CSA C22.2 No. 60950-1-07, (Information Technology Equipment - Safety - Part 1: General Requirements).
3. CSA C22.2 No. 213-17 Nonincendive Electrical Equipment for Use in Class I and II, Division 2 and Class III, Divisions 1 and 2 Hazardous (Classified) Locations.

PRODUCT SAFETY & GENERAL INFORMATION, CONTINUED:

1. REMOVING THE CASE FROM THE DEVICE AT ANY TIME WILL INVALIDATE THE CERTIFICATION TO USE THE DEVICE IN HAZARDOUS LOCATIONS. If the Device is removed from the case for any reason, whether within a Hazardous Location or not, it is no longer a Certified Solution for use in Hazardous Locations and must be removed from service. Contact your local Equipment Mobility Manager for re-installation and re-certification prior to further use in Hazardous Locations. Upon inspection, the OtterBox authorized integration center will determine whether the Device can be re-certified as a Certified Solution.
2. NEVER USE CHARGING EQUIPMENT INSIDE A HAZARDOUS LOCATION. The Certified Solution must be charged outside of Hazardous Locations, preferably in a climate-controlled office or equipment depot environment. No process or equipment, including the OtterBox Hardline Series Charging Station, should be used in a Hazardous Location.
3. STRUCTURAL DAMAGE TO THE CASE OR DEVICE WILL INVALIDATE THE CERTIFICATION TO USE THE DEVICE IN HAZARDOUS LOCATIONS. If the Device and/or case incurs any physical or structural damage, or if the Device becomes otherwise inoperable, it is no longer a Certified Solution for use in Hazardous Locations and must be removed from service. Contact your local Equipment Mobility Manager for re-installation and re-certification prior to further use in Hazardous Locations. Upon inspection, the OtterBox authorized integration center will determine whether the Device can be re-certified as a Certified Solution.
4. REMOVAL OF THE UL REGULATORY LABEL AFFIXED TO THE BACK OF THE CASE WILL INVALIDATE THE CERTIFICATION TO USE THE DEVICE IN HAZARDOUS LOCATIONS. If the label is removed from the case or becomes unreadable, it is no longer a Certified Solution for use in Hazardous Locations and must be removed from service. Contact your local Equipment Mobility Manager for re-installation and re-certification prior to further use in Hazardous Locations.

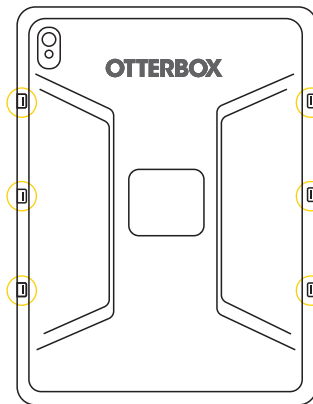
OPERATING INSTRUCTIONS:

1. This Certified Solution is preassembled, and ready to be put to work.
2. Ensure the Certified Solution is charged properly, outside of Hazardous Locations, preferably in a climate-controlled office or equipment depot environment.
 - OtterBox recommends using the OtterBox Hardline Series Charging Station (single or four bay)
 - Slide the Certified Solution onto the charger, by placing the alignment notch on the center post and wait a few seconds for the LED to glow red. If incorrectly aligned, it blinks to alert you.

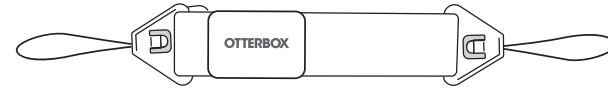


- Typical charge time is approximately 3-4 hours. When done charging, the LED light turns off. Verify charge level by pressing the power button on the Certified Solution.
- If OtterBox Charging Stations are not available, the Certified Solution is compatible with other Qi wireless chargers.

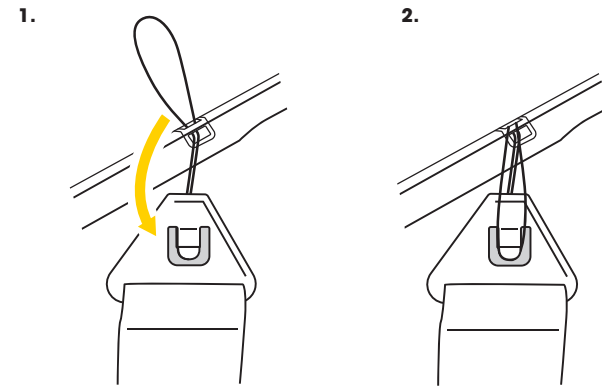
3. The Certified Solution comes with six industrial tether mounting points:



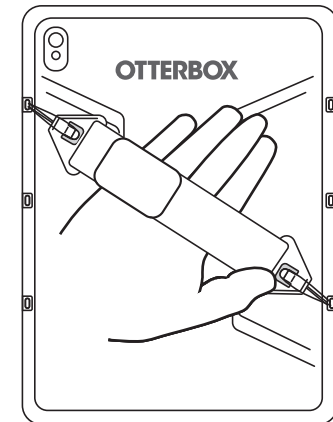
OTTERBOX HAND STRAP



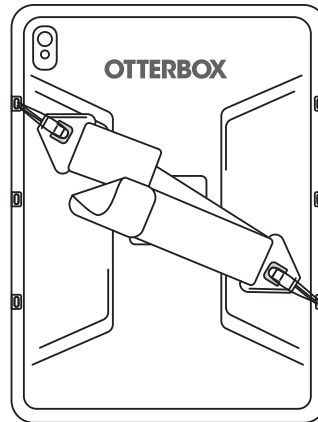
STRAP INSTALL



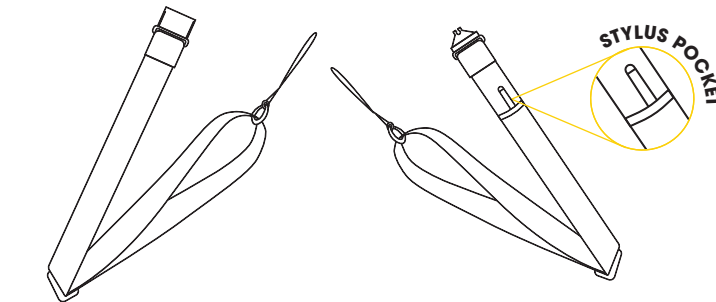
STRAP PLACEMENT



STRAP LENGTH ADJUSTMENT

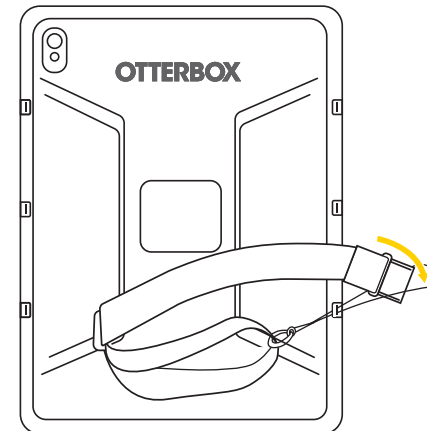


OTTERBOX SHOULDER STRAP OR OTHER AFTERMARKET LANYARDS AND ATTACHMENTS

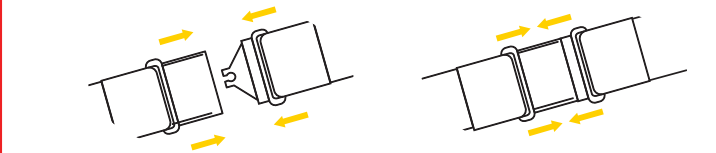
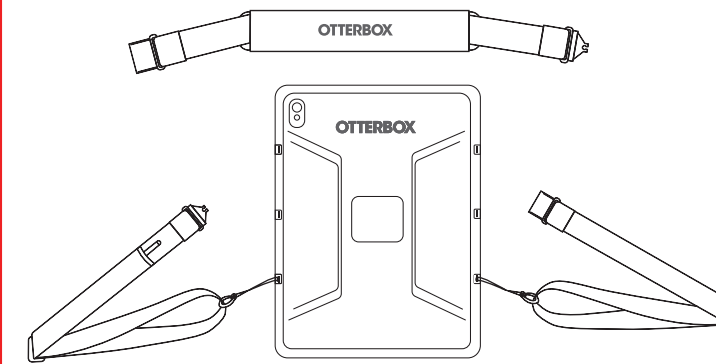


STRAP INSTALL

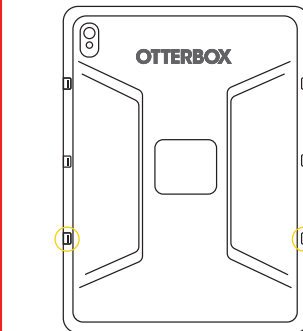
1. PULL APART ALL STRAP PIECES
2. PULL ATTACHMENT STRING THROUGH LATCH POINT
3. PULL STRAP THROUGH LOOP TO INSTALL ON CASE



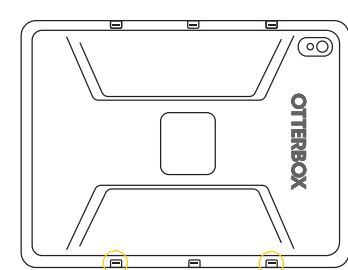
4. ATTACH BOTH LATCH STRAPS TO CASE & SNAP ALL STRAP THREE PIECES TOGETHER



PORTRAIT LATCH POINTS



LANDSCAPE LATCH POINTS



4. The Certified Solution comes with threaded inserts (M4x0.7 and 3.7mm deep), to tailor your Certified Solution to work with a variety of AMPS compatible mounts, including:
 - Vehicle mounts, tabletop/desk mounts, equipment mounts, and more.
 - For more information see the OtterBox AMPS compatibility sheet.
5. Periodic cleaning will improve performance and operational life of the Certified Solution.
 - Use warm water and light soap to remove dirt, mud, or debris from the exterior.
 - Lightly blow or tap out any water trapped in the Certified Solution's audio ports after cleaning.
 - If preferred, wipe dry with soft cloth or terry cloth towel. Avoid materials that can mar seals or screen protector.
6. Refer to the Apple Users Guide for additional information on use, operation, care, and warranty of the Device.

7. OtterBox Tech-Touch Safety Gloves are available to protect hands while providing 3-finger touchscreen capability for logging in, controls, and multi-point gestures. Proper size and a snug fit will optimize the performance of the Tech-Touch features.
 - Available in two types for different work applications: standard and insulated.



8. The Certified Solution must not be taken into, or used in, any hazardous locations not listed in these Operating Instructions, including, but not limited to, locations that are classified as Class I, Division 1, or outside North America, including global locations classified as Zone 0, 1, 20, or 21.
9. Failure to follow these Operating Instructions invalidates the Device as a Certified Solution for use in Hazardous Locations.

FCC COMPLIANCE STATEMENT:

This Certified Solution complies with Part 15 of the FCC Rules. Operation is subject to the following two conditions: (1) This Device may not cause harmful interference, and (2) this Certified Solution must accept any interference received, including interference that may cause undesired operation. Changes or modifications not expressly approved by OtterBox could void the user's authority to operate the Certified Solution. This Certified Solution has been tested and found to comply with the limits for a Class B digital device, pursuant to Part 15 of the FCC Rules. These limits are designed to provide reasonable protection against harmful interference in a residential installation. This Certified Solution generates, uses, and can radiate radio frequency energy and, if not used in accordance with these Operating Instructions, may cause harmful interference to radio communications. However, there is no guarantee that interference will not occur in a particular installation. If this Certified Solution does cause harmful interference to radio or television reception, which can be determined by turning the Certified Solution off and on, the user is encouraged to try to correct the interference by increasing the separation between the Certified Solution and the television or radio.

FCC RF EXPOSURE COMPLIANCE:

This Certified Solution complies with FCC radiation exposure limits set forth for an uncontrolled environment. This Certified Solution should be operated with minimum distance of 20cm between the radiator and your body.

ISED COMPLIANCE STATEMENT:

This Certified Solution contains licence-exempt transmitter(s)/receiver(s) that comply with Innovation, Science and Economic Development Canada's licence-exempt RSS(s). Operation of the Certified Solution is subject to the following two conditions: (1) This Certified Solution may not cause interference; and (2) This Certified Solution must accept any interference, including interference that may cause undesired operation of the Certified Solution. Cette solution certifiée contient un ou des émetteurs/récepteurs exempts de licence conformes aux RSS exempts de licence d'Innovation, Sciences et Développement économique Canada. Le fonctionnement de la Solution certifiée est soumis aux deux conditions suivantes : (1) Cette Solution certifiée ne doit pas provoquer d'interférences ; et (2) Cette Solution Certifiée doit accepter toute interférence, y compris les interférences susceptibles d'entraîner un fonctionnement indésirable de la Solution Certifiée.

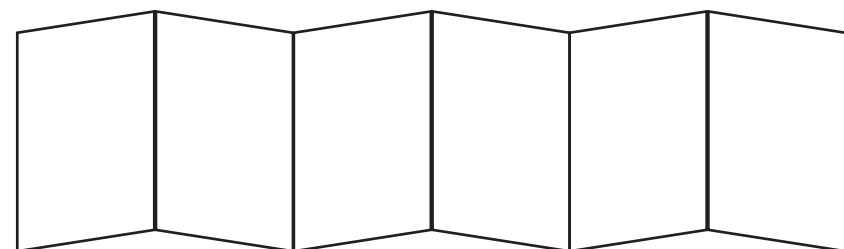
IC RF EXPOSURE COMPLIANCE:

This Certified Solution complies with RSS-102 radiation exposure limits set forth for an uncontrolled environment. This Certified Solution should be operated with a minimum distance of 20cm between the radiator and your body. Cette solution certifiée est conforme aux limites d'exposition aux rayonnements RSS-102 établies pour un environnement non contrôlé. Cette solution certifiée doit être utilisée avec une distance minimale de 20 cm entre le radiateur et votre corps.

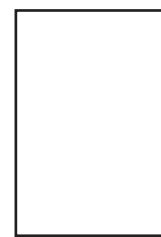
CUSTOMER SUPPORT/WARRANTY:

This OtterBox Specialty Product is subject to the OtterBox Global Limited Product Warranty shipped with this product and available at <https://bit.ly/3qz1B>. Please refer all customer service and warranty questions to your local Equipment Mobility Manager. For more details, please follow the link <https://bit.ly/3qT8n2W> or call USA 1-877-776-2829.

Hand is still working



Folded 6 panel insert



Final Size 6.67" x 3.96"