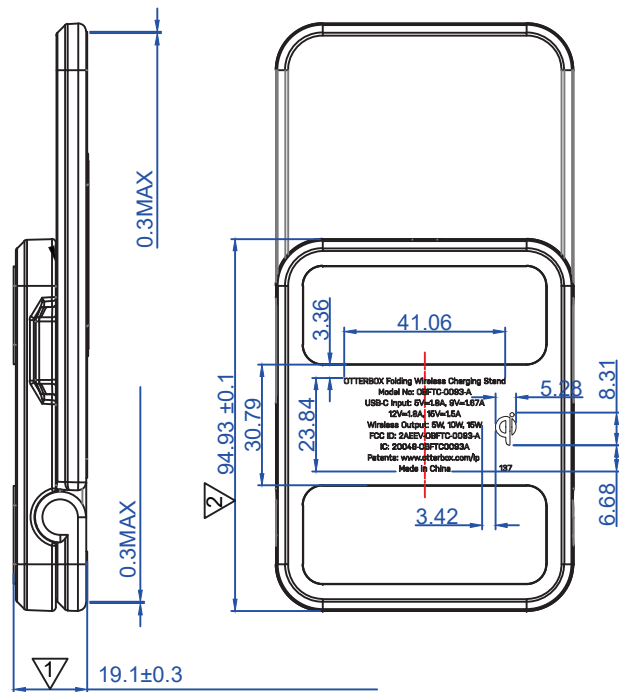
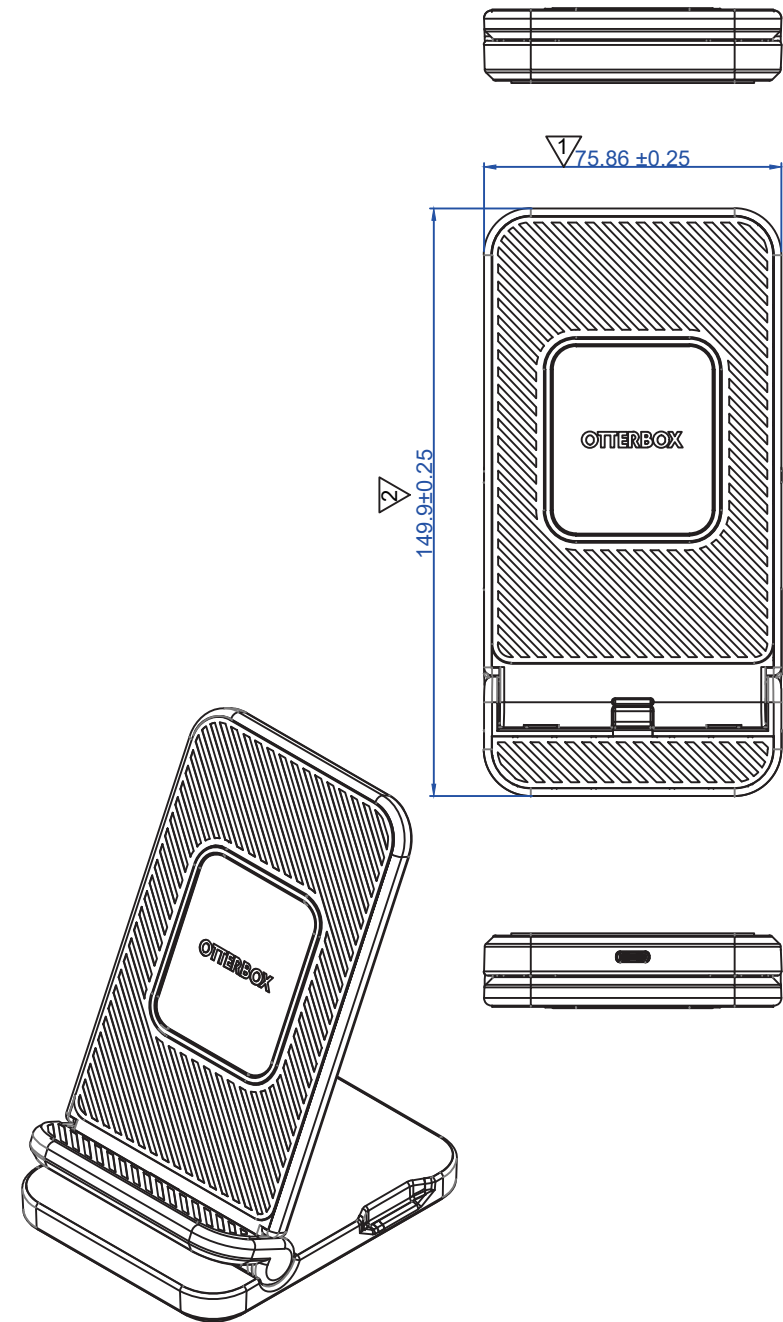



RoHS Reach CA65

REV.	DESCRIPTION	DESIGN	APPROVAL	DATE
A1	NEW DRAWING	XIN LIU	JACK.XU	2021.09.06



X.± 1	X.°±1	Customer P/N: OBFTC-0093-A	<b>LUXSHARE-ICT</b>		
.X± 0.3	.X°±0.5				
.XX± 0.20	.XX°±0.3	Customer REV.: *	TITLE: LACA180折叠无线充15W EPP 黑色		
.XXX± 0.100	.XXX°±0.1	PART NO. LTYWC007-CS-R	DWG NO: RDS21031E6-005		
UNITS:	mm	APPD: JACK XU 21/09/06	SCALE SHEET REV.		
THESE DRAWINGS AND SPECIFICATIONS ARE THE PROPERTY OF LUXSHARE-ICT AND SHALL NOT BE REPRODUCED, COPIED OR CUED IN ANY MANNER WITHOUT THE PRIOR WRITTEN CONSENT OF LUXSHARE-ICT		CHKD: XIONGWU LI 21/09/06	 1:2    1/2    A1		
		Safety Eng: JUAN LUO 21/09/06			
		DRAW: XIN LIU 21/09/06			