

### INSTRUCTION MANUAL

**CONTENTS:**

- 1 x 1:14 Ford F-150 RC Monster Truck
- 1 x RC Transmitter
- 1 x Instruction Manual

**BATTERY REQUIREMENT:**

- Vehicle: 5 x 1.5V AA Batteries (NOT INCLUDED)
- Transmitter: 2 x 1.5V AA Batteries (NOT INCLUDED)

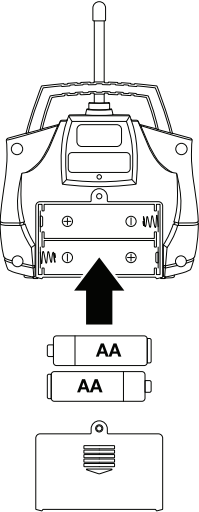
**BATTERY TIPS:**

1. Alkaline batteries are recommended to use in the transmitter.
2. Only batteries of the same or equivalent type as recommended are to be used.
3. Do not mix alkaline, standard or rechargeable batteries.
4. Do not mix old and new batteries or different types of batteries.
5. Do not recharge non rechargeable batteries.
6. If rechargeable batteries are used, only charge them under adult supervision.
7. Rechargeable batteries are to be removed from the vehicle before they are charged.
8. Be sure to insert the batteries with the correct polarities and always follow the battery manufacturer's instructions.
9. Remove all batteries from the vehicle and transmitter when not in use.
10. Remove exhausted batteries from the product.
11. Do no short circuit the supply terminals.
12. Dispose of batteries properly. Do not dispose of batteries in fire - it may cause the battery to explode or leak causing injury or damage.
13. Battery change must be only made by adults.

**INSTALLING OR REPLACING THE BATTERIES:**

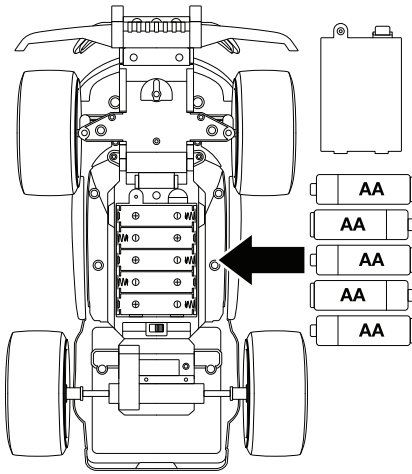
**FOR TRANSMITTER:**

1. Open the battery cover by removing the single screw.
2. Install 2 x AA batteries with the correct polarity (+/-) as shown inside the battery compartment.
3. Replace the battery cover and screw.



**FOR VEHICLE:**

1. Switch the power OFF.
2. Open the battery cover by removing the screw.
3. Install 5 x AA batteries with the correct polarity as shown inside the battery compartment.
4. Replace the battery cover and screw.



**WARNING:**

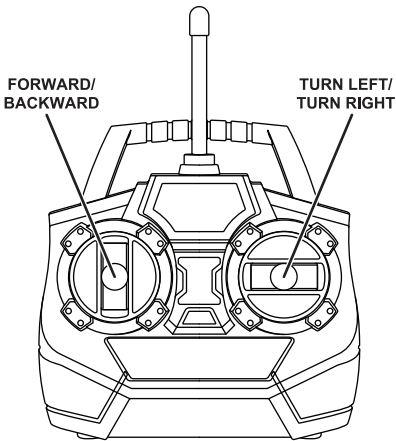
1. Do not disassemble the RC vehicle or transmitter.
2. Do not operate the vehicle with the same frequency with other RCs in the same location. The same frequency RC will cause interference and you will lose control of the vehicle.
3. Make sure the batteries are installed with the correct polarity (+/-) as shown inside the battery compartment.

**TROUBLE SHOOTING**

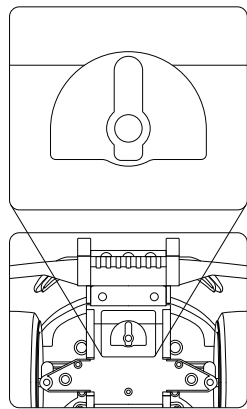
PROBLEM	CAUSE	CORRECTION
RC Vehicle is unresponsive.	Low battery level	Replace the batteries
	Batteries are inserted incorrectly	Insert the batteries with the correct polarities as shown on the battery compartment.
	The wheels are obstructed by foreign objects	Remove foreign objects from the wheels
	Vehicle is out of range from transmitter	Move closer to the vehicle
Vehicle drives slow/poor turning.	Low battery level	Replace the batteries
	The wheels are obstructed by foreign objects	Remove foreign objects from the wheels
Poor remote control range	Low battery level	Replace the batteries
	Strong radio interference from surroundings	Move to a better location with less radio interference.

**HOW TO DRIVE THE RC VEHICLE:**

1. Switch the vehicle ON.
2. Drive the vehicle FORWARD by pushing the left stick up, push down to go BACKWARD.
3. Push the right stick left and right to turn the vehicle LEFT or RIGHT.
4. If the vehicle does not run in a straight line, adjust the wheel alignment on the underside of vehicle chassis.
5. Remember to switch the vehicle OFF when you are done driving. Remove the batteries if you will not drive for a prolonged period of time.



**WHEEL ALIGNMENT**



**DRIVING TIPS:**

1. Do not drive on mud or water.
2. Do not drive the RC vehicle in poor weather conditions.
3. Do not crash the RC vehicle into hard objects.
4. Keep fingers, hair and loose clothing away from the wheels.
5. Operating Range of the transmitters can be affected by a variety of factors:
  - a) Weak batteries in the vehicle and or transmitter.
  - b) Interference from other items that emit radio frequency signals such as another RC item on the same frequency, CB radios, cordless phones, etc...
6. To get the best range from the transmitter, operate the RC car outdoors.

**FCC Label Compliance Statement:**

This device complies with part 15 of the FCC rules. Operation is subject to the following two conditions:

1. This device may not cause harmful interference.
2. This device must accept any interference received, including interference that may cause undesired operation.

Note: This equipment has been tested and found to comply with the limits for a Class B digital device, pursuant to Part 15 of the FCC Rules.

These limits are designed to provide reasonable protection against harmful interference in a residential installation. This equipment generates, uses and can radiate radio frequency energy and, if not installed and used in a accordance with the instructions, may cause harmful interference with radio communications. However, there is no guarantee that interference will not occur in a particular installation. If this equipment does cause harmful interference to radio or television reception, which can be determined by turning the equipment off and on, the user is encouraged to try to correct the interference by one or more of the following measures:

- Reorient or relocate the receiving antenna.
- Increase the separation between the equipment and receiver.
- Connect the equipment into an outlet on a circuit different from that to which the receiver is needed.
- Consult the dealer or an experienced radio/TV technician for help.

Warning: Changes or modifications to this unit not expressly approved by the party responsible for compliance could void the user's authority to operate the equipment.

Website: [www.worldtechtoys.com](http://www.worldtechtoys.com)  
 Email: [customerserv@worldtechtoys.com](mailto:customerserv@worldtechtoys.com)  
 Phone: (877) 498-8697  
 Monday - Friday / 9:00AM - 5:00PM / Pacific Time

SPECIFICATIONS, COLORS AND CONTENT  
MAY VARY FROM ILLUSTRATIONS

MADE IN CHINA



WWW.WORLDTECHTOYS.COM

