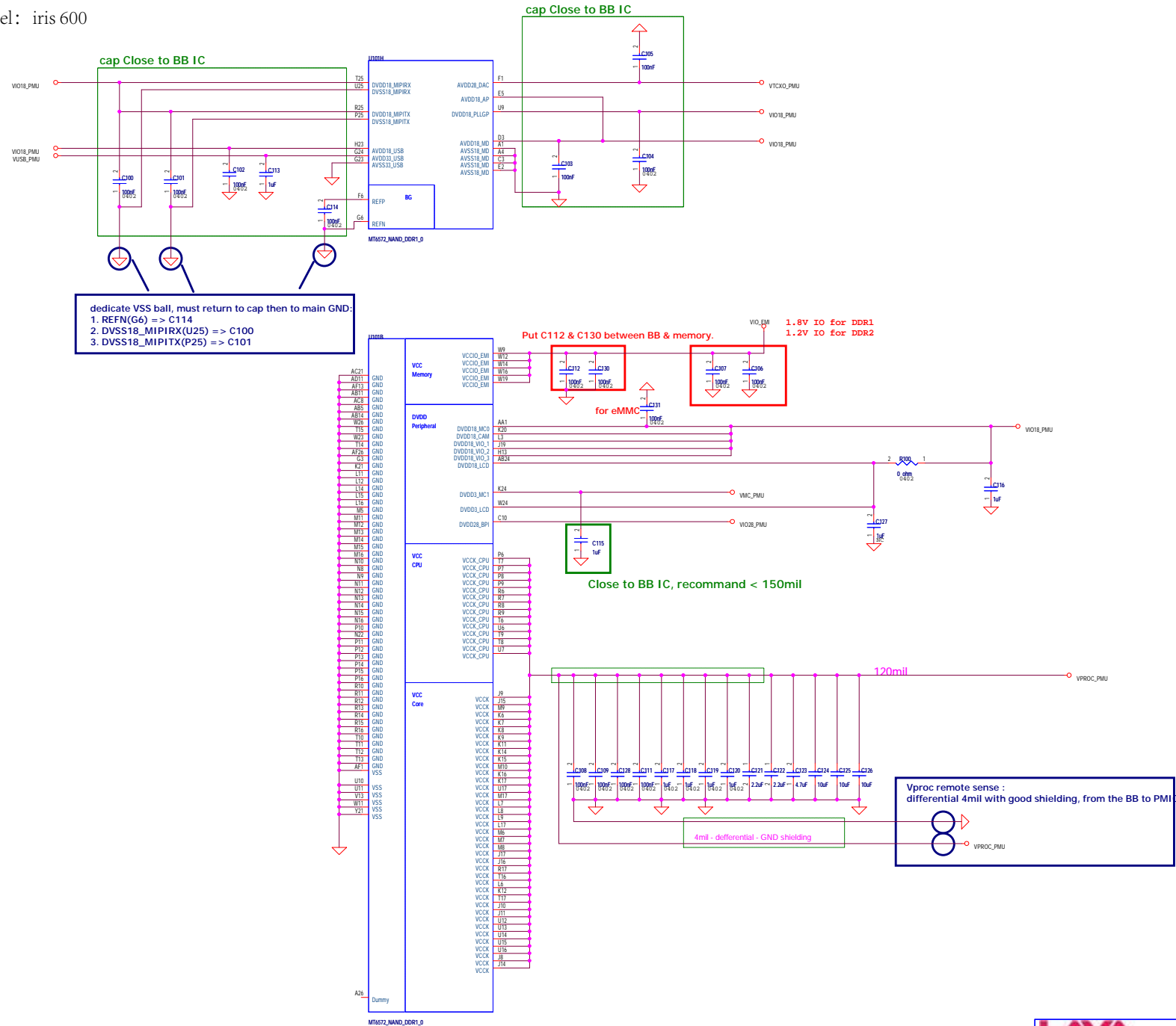
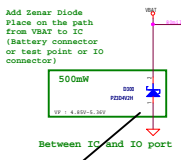
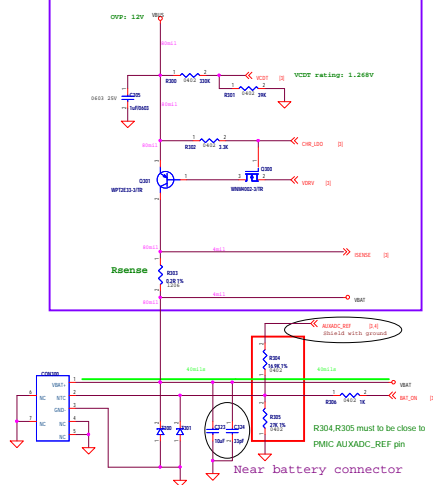


model: iris 600



Charger



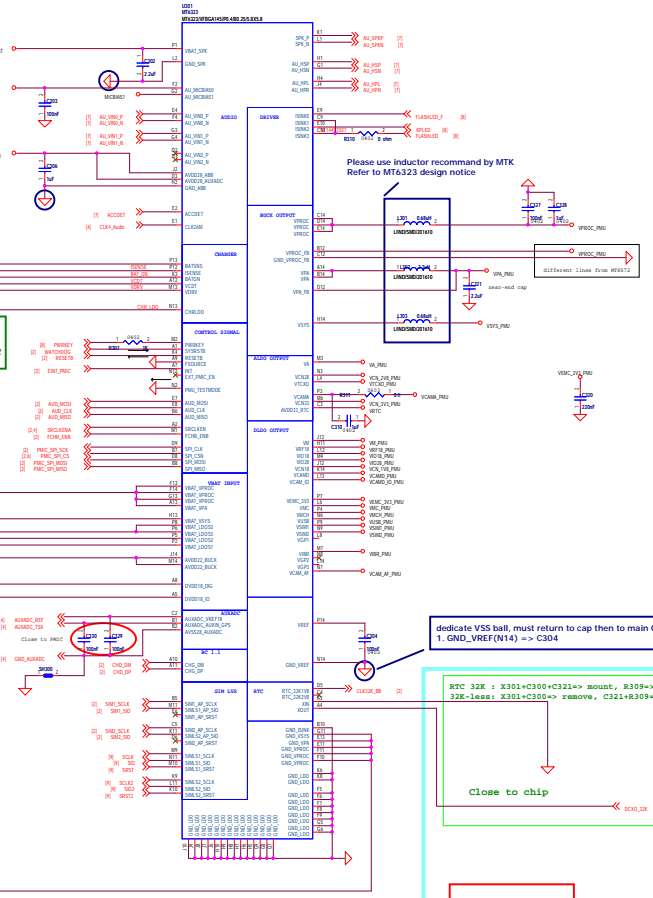
Refer to MT6323 design notice for Zener selection

Refer to MT6323 design notice for Buck GND layout rule

IS2NS/BSTNS 4m1 differential to Sense

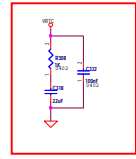
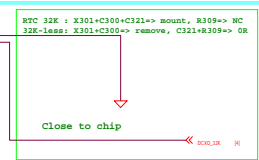


refer to system analog LDO performance improve proposal

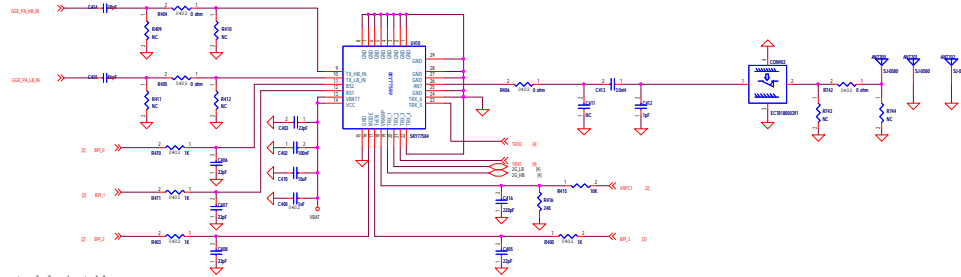


Please use inductor recommend by MTK Refer to MT6323 design notice

dedicate VSS ball, must return to cap then to main GND 1. GND_VREF(W14) => C304

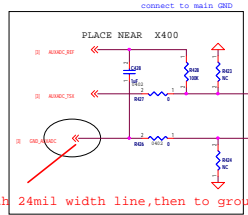
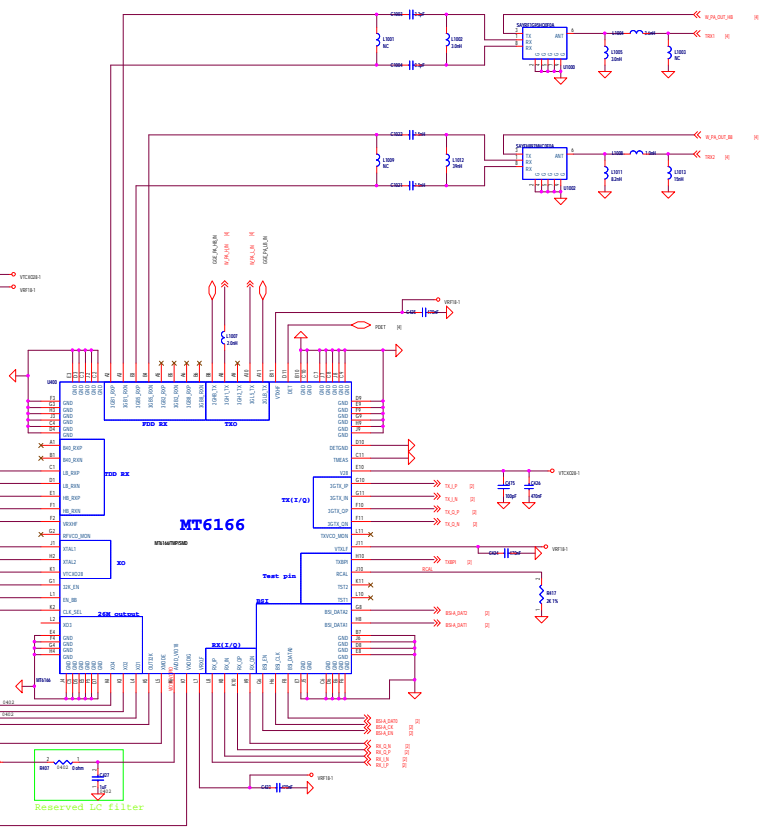
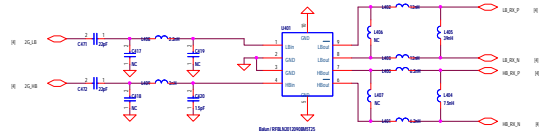
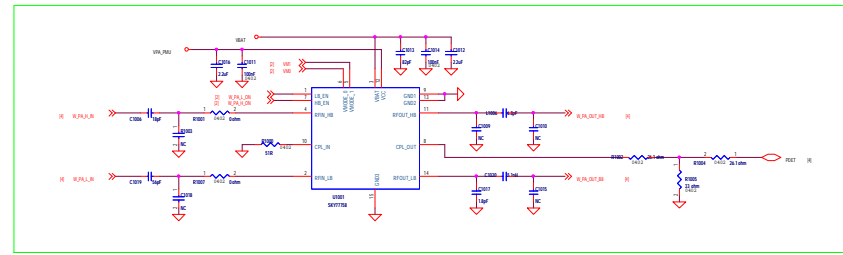


==> for longer RTC time sustain after battery remove, please refer to RTC design notice



SKY77590 control logic table

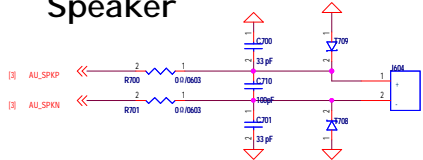
	Enable	VectC	VectB	VectA
LA_GMSK_TX	H	L	L	H
HB_GMSK_TX	H	L	H	H
LB_EDGE_TX	H	H	L	H
HB_EDGE_TX	H	H	H	H
TRX1	L	H	L	L
TRX2	L	H	H	L
TRX3	L	H	L	H
TRX4	L	H	H	H
TRX5	L	L	H	L
TRX6	L	L	L	H



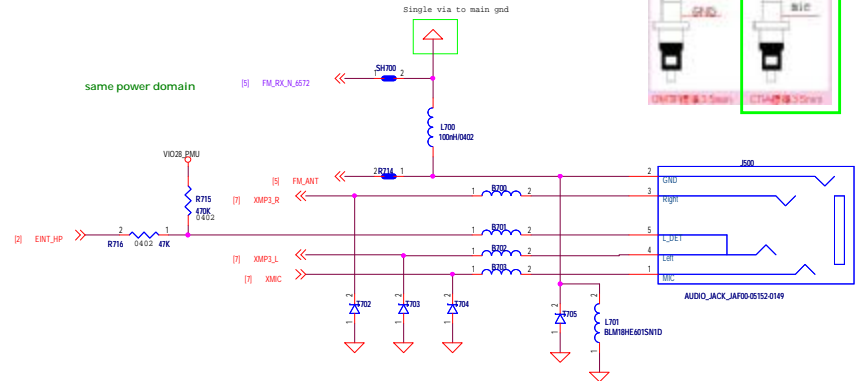
CONNECT TO MT6323 B2pin with 24mil width line, then to ground

MODE	Loop#	DCXO_32K_RM	30KDC	VXCO.D
DCXO + 32K XO	0	(10M)	(1V101)	(1V101)
DCXO + 32K-Less	1	(1V101)	(1V101)	(1V101)

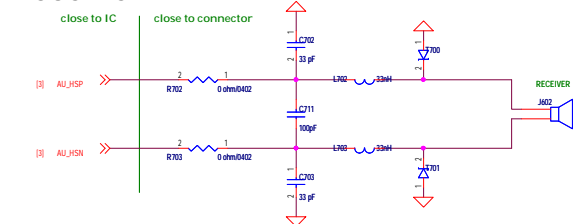
Speaker



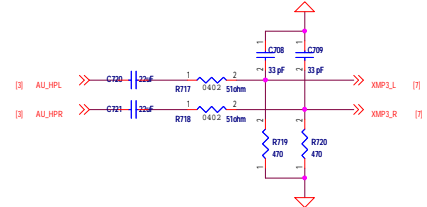
3.5mm AUDIO JACK



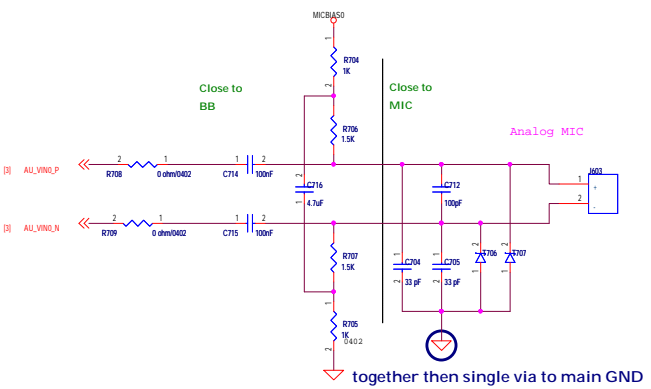
Receiver



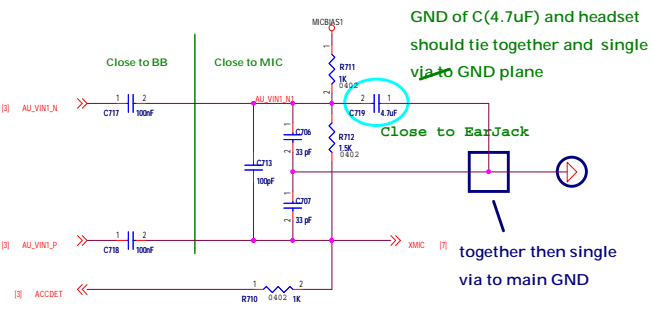
Earphone Audio



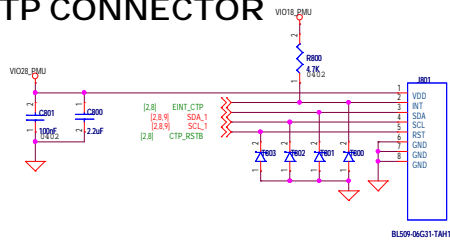
Handset Microphone



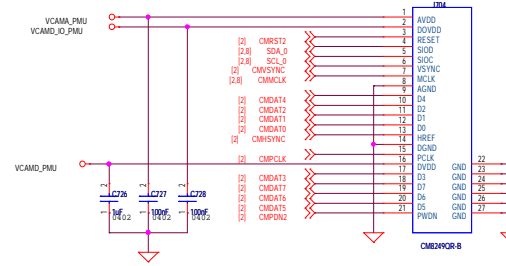
Earphone MICPHONE



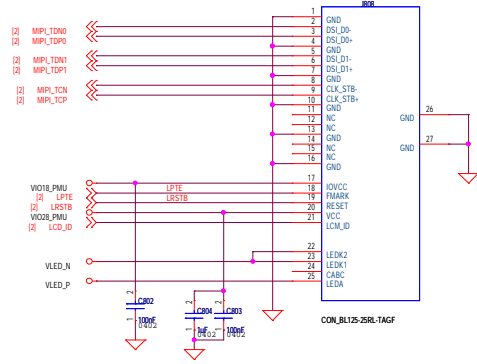
CTP CONNECTOR



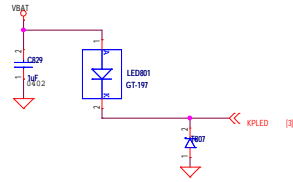
Front Camera



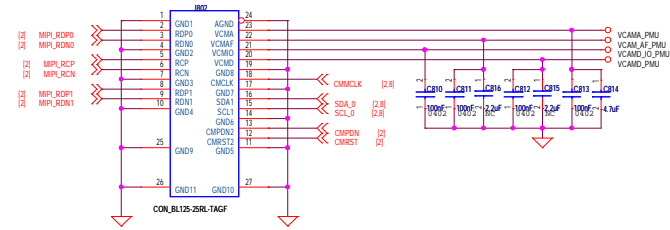
LCD CONNECTOR



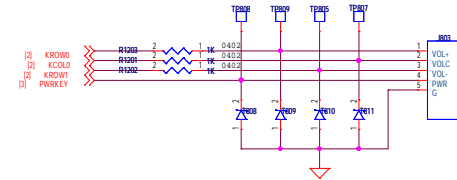
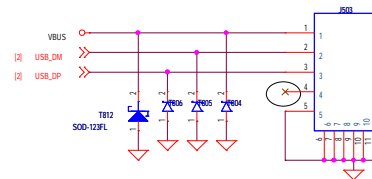
Indication LED



Main Camera



Micro USB2.0

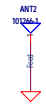
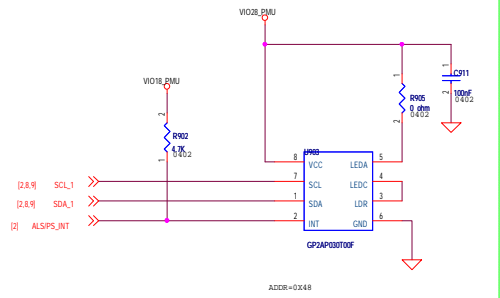


LCD BACKLIGHT COMPATABLE

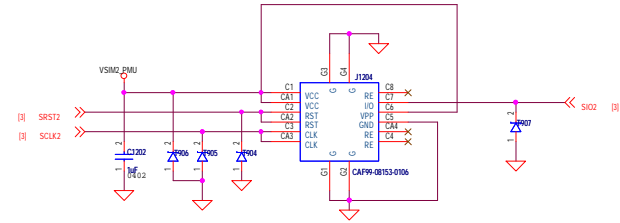
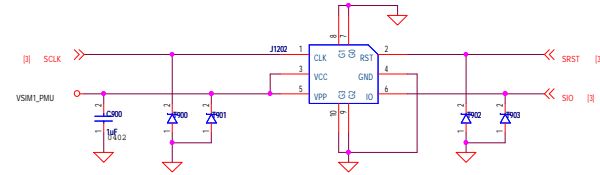
$$EUP2986 \{ I (MAX) = 0.2 / R809 \}$$

LAVA 硕诺科技(深圳)有限公司			
08_LCD_Touch_Camera_USB_Simkey			
设计	审核	Board Name	Rev
肖其成	肖其成	SP41_DDR2_MB_V1.0	V1.0
Date: Tuesday, July 01, 2016			

ALS + PS Sensor

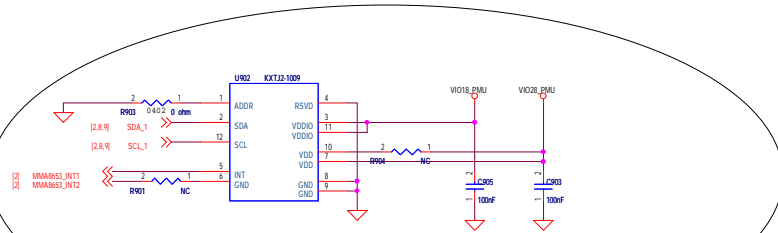
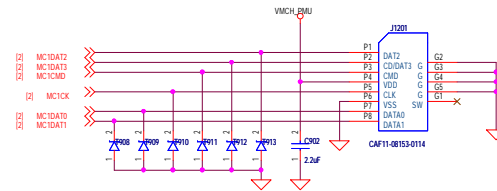


SIM CARD



SD CARD

MCICK with GND shield



Change 90A8653FC to EKTJ2-1009;
 add R903=0ohm, R901=R904=NC;
 DEL C904
 DATE: 2013.11.26

