

# INSTALLATION INSTRUCTION FOR CEILING FAN REMOTE CONTROLLER

MODEL NO. OF RECEIVER: AA-24DC2023-8RF  
MODEL NO. OF TRANSMITTER: II2019-18T4

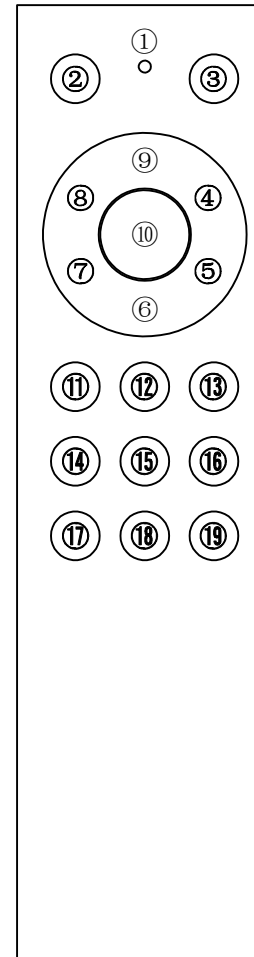
## IMPORTANT POINTS:

1. Please read this instruction, and save it for further use.
2. Before installation, TURN OFF THE POWER OF YOUR CEILING FAN.
3. Please note that all wiring appliances should be installed by a qualified electrician.
4. This unit is to be used in a 100-130V~ 50/60Hz supply only. (Rating: RECEIVER: Max 40W for fan motor, Max 20W for LED. TRANSMITTER: transmitting frequency range: 433.92MHz±300kHz, Maximum transmitting power: 8dBm.)
5. Do not install in damp locations or immerse in water. (For indoor use only.)
6. Do not pull on or cut leads shorter.
7. Do not drop or bump the unit.
8. PLEASE NOTE: The battery will weaken with age and should be replaced before leaking takes place as this will damage the transmitter.
9. The batteries must be removed from the transmitter before it is scrapped. And the batteries shall be disposed of safely.
10. The switch shall be mounted at a height greater than 1.7m.
11. The electric shock protection of the RF receiver shall be depended on its installation.
12. The RF remote controller shall be used within its rating range, otherwise overheating and dangerous phenomenon may occur.
13. The RF ceiling fan remote controller is made by XIN HUI A.A. ELECTRONICS LTD.
14. CAUTION: To reduce the risk of fire or injury, do not use this product in conjunction with any variable (rheostat) wall control.
15. Warning: Changes or modifications to this unit not expressly approved by the party responsible for compliance could void the user's authority to operate the equipment.
16. This device complies with Part 15 of the FCC Rules. Operation is subject to the following two conditions: (1) this device may not cause harmful interference, and (2) this device must accept any interference received, including interference that may cause undesired operation.
17. NOTE: This equipment has been tested and found to comply with the limits for a Class B digital device, pursuant to Part 15 of the FCC Rules. This limits are designed to provide reasonable protection against harmful interference in a residential installation. This equipment generates uses and can radiate radio frequency energy and, if not installed and used in accordance with the instructions, may cause harmful interference to radio communications. However, there is no guarantee that interference will not occur in a particular installation. If this equipment does cause harmful interference to radio or television reception, which can be determined by turning the equipment off and on, the user is encouraged to try to correct the interference by one or more of the following measures:
  - Reorient or relocate the receiving antenna.
  - Increase the separation between the equipment and receiver.
  - Connect the equipment into an outlet on a circuit different from that to which the receiver is connected.
  - Consult the dealer or an experienced radio/TV technician for help.

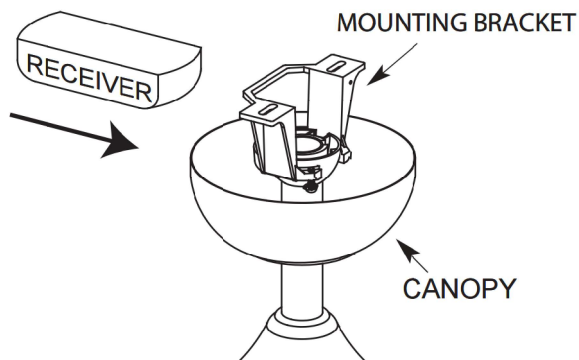
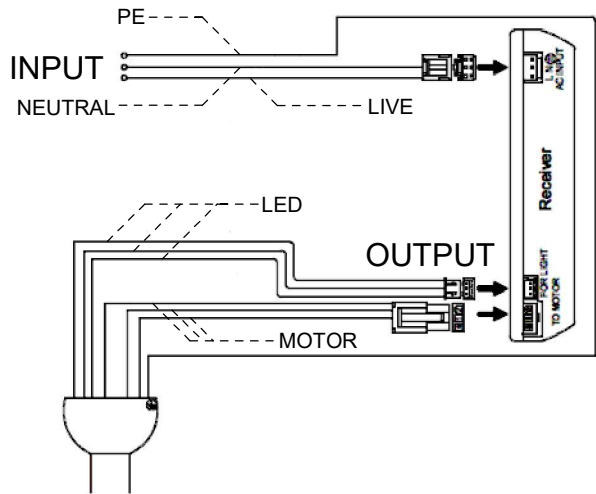
## CONTROL INSTRUCTIONS:

1. The receiver is only control by transmitter.
2. If you would like to operate receiver by a new transmitter, you must use the transmitter to code the remote controller.
3. The way of code is within 10s after the receiver is powered on, you should press and hold on the key of FAN OFF for 3s to code. If code successfully, you will hear a sound "beep" from buzzer.
4. After code successfully, the new transmitter can control the receiver and the old transmitter can not control the receiver.

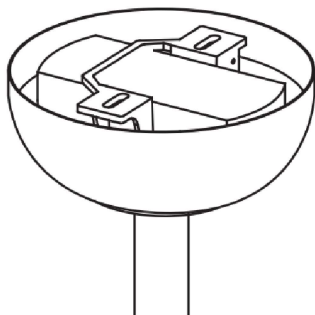
## FUNCTIONS OF RECEIVER AND TRANSMITTER:



- ① lamp: The lamp will light up when you press any buttons.
- ② F/R: Switch the Fan direction.
- ③ NATURAL WIND: Turn on ceiling fan to natural wind mode. Natural Wind mode: The fan circulating switch the speed in the order of 1-2-3-4-5-6-5-4-3-2-1-.... And the speed switch interval is 19s.
- ④ SPEED 1: Turn on ceiling fan to speed 1.(the slowest speed)
- ⑤ SPEED 2: Turn on ceiling fan to speed 2.
- ⑥ SPEED 3: Turn on ceiling fan to speed 3.
- ⑦ SPEED 4: Turn on ceiling fan to speed 4.
- ⑧ SPEED 5: Turn on ceiling fan to speed 5.
- ⑨ SPEED 6: Turn on ceiling fan to speed 6.(the fastest speed)
- ⑩ FAN OFF: Turn off ceiling fan.
- ⑪ 2H: The LED and ceiling fan will turn off after two hours.
- ⑫ 4H: The LED and ceiling fan will turn off after four hours.
- ⑬ 8H: The LED and ceiling fan will turn off after eight hours.
- ⑭ YELLOW: Turn on the LED to warm.
- ⑮ WHITE: Turn on the LED to neutral.
- ⑯ BLUE: Turn on the LED to cool.
- ⑰ led-: Press and hold to dim LED to the desired level.
- ⑱ LIGHT OFF: Turn off the LED.
- ⑲ led+: Press and hold to brighten LED to the desired level. (Only for the specific LED.)



VIEW AFTER INSTALLATION



INSTALLATION INSTRUCTIONS:

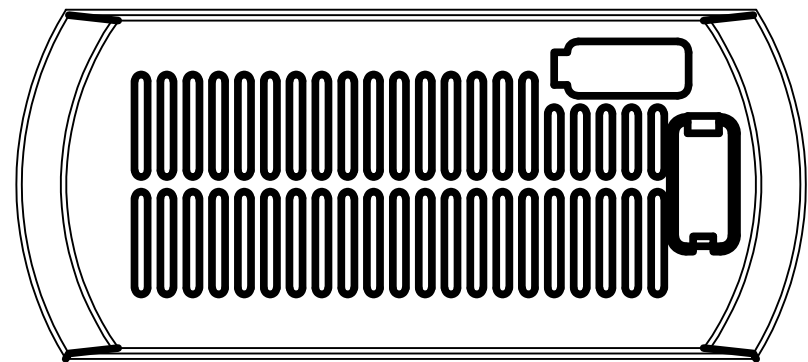
CAUTION: INCORRECT WIRE CONNECTION WOULD DAMAGE THIS RECEIVER.

1. Make the wiring connection must be stuck inside canopy.
2. Once the connection has been made, the receiver inserts into the drop rod hanging bracket. The canopy comes up to cover the receiver and bracket.
3. To change the batteries is to open the battery housing cover by sliding out the cover downward to the arrow shown direction while pressing down the cover with thumb. Holder for transmitter: if desired, install onto the wall with screws.
4. This device contains licence-exempt transmitter(s)/receiver(s) that comply with Innovation, Science and Economic Development Canada's licence-exempt RSS(s). Operation is subject to the following two conditions:

- (1) This device may not cause interference.
- (2) This device must accept any interference, including interference that may cause undesired operation of the device.

L'émetteur/récepteur exempt de licence contenu dans le présent appareil est conforme aux CNR d'Innovation, Sciences et Développement économique Canada applicables aux appareils radio exempts de licence. L'exploitation est autorisée aux deux conditions suivantes:

- 1) L'appareil ne doit pas produire de brouillage;
- 2) L'appareil doit accepter tout brouillage radioélectrique subi, même si le brouillage est susceptible d'en compromettre le fonctionnement.



INPUT

OUTPUT