



东莞市一佳电子通讯科技有限公司

Dongguan YiJia Electronics Communication Technology Co.,Ltd.

# 规格承认书

## SPECIFICATION FOR APPROVAL

|                |            |
|----------------|------------|
| 日期<br>Date     | 2023/09/19 |
| 编号<br>File No  | 23091902   |
| 版本<br>Revision | 1.0        |

Manufacturer: Dongguan YiJia Electronics Communication Technology Co.,Ltd.

Address: No. Muyu Road, Shatou District, Chang'an Town, Dongguan City, Guangdong

Name: BT Antenna

Model: YJH01.095.001.302A-BT



# 天线规格

## Antenna Specification

### Electrical Properties

|              |                  |
|--------------|------------------|
| Frequency    | 2.4-2.5GHz       |
| Impedance    | 50 Ohm Nominal   |
| V.S.W.R      | 2.0 Max          |
| Gain         | 4.0 dBi          |
| Spec         | > 44.6 %         |
| Radiation    | Omni-directional |
| Polarization | Linear           |

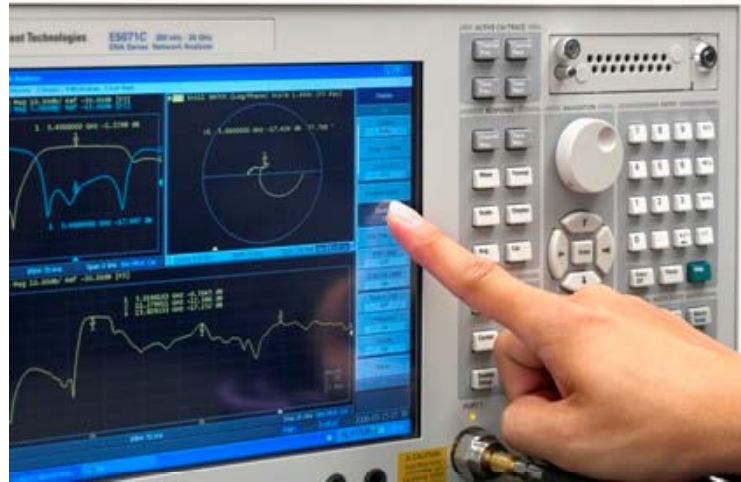
### Physical Properties

|                         |                       |
|-------------------------|-----------------------|
| Connector               | IPEX                  |
| Cable Type              | O.D.1.13mm            |
| Cable Length            | 65mm                  |
| Cable Color             | Black                 |
| Operating Temp.         | -40 ~ +85 °C          |
| Storage Temp / Humidity | -40 ~ +85 °C / 5%-95% |



# Antenna Performance Test

**Agilent  
E5071B**

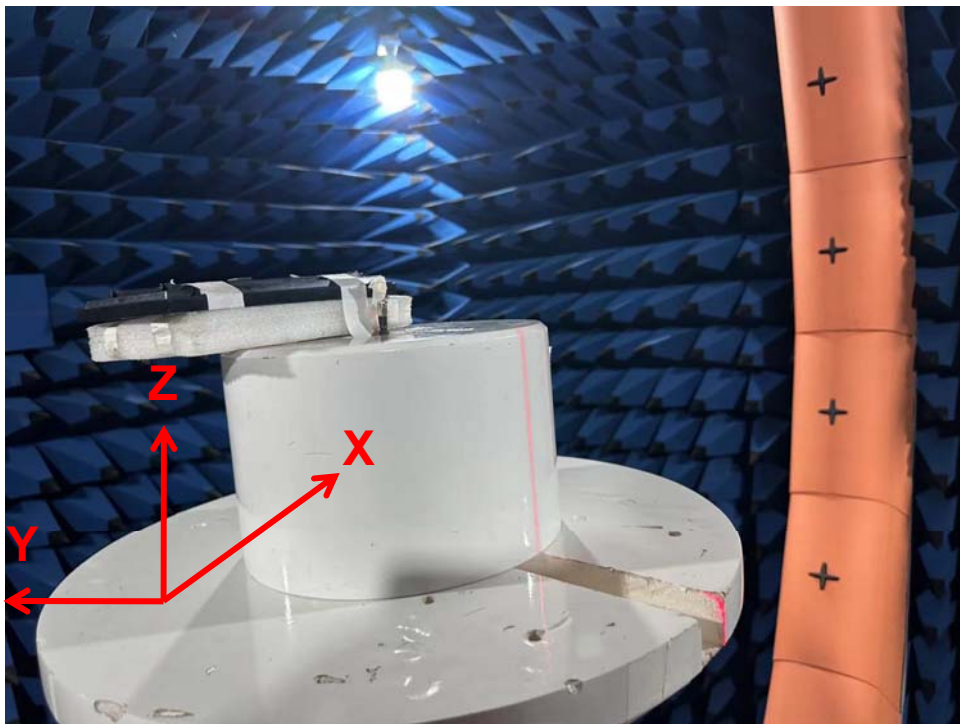
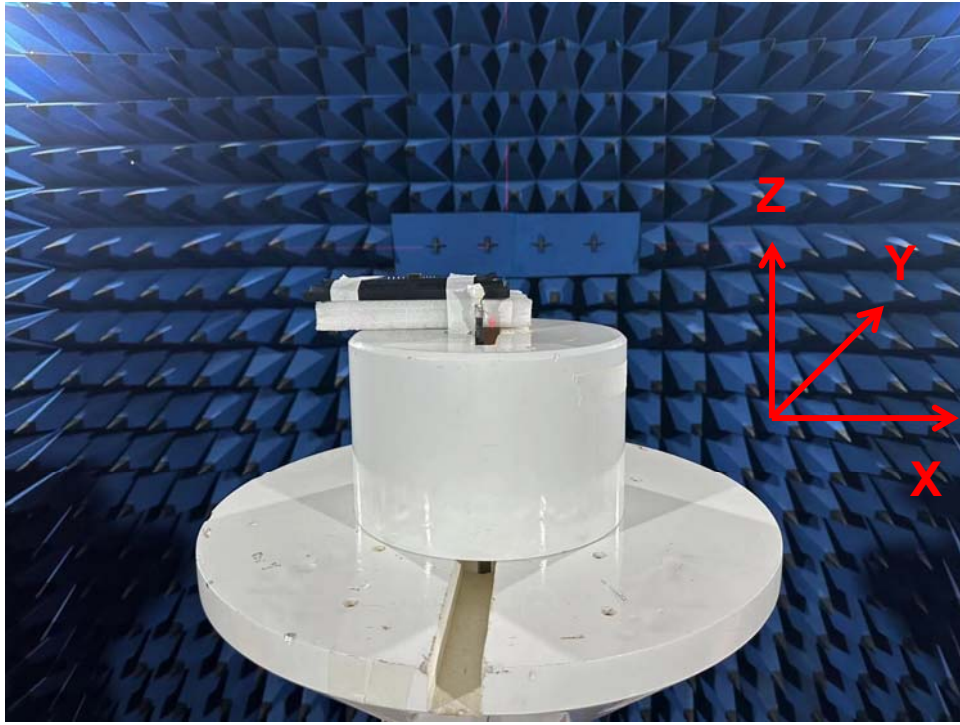


**S11  
Parameter  
Test //  
BT  
Antenna**





## *Antenna Passive Test*



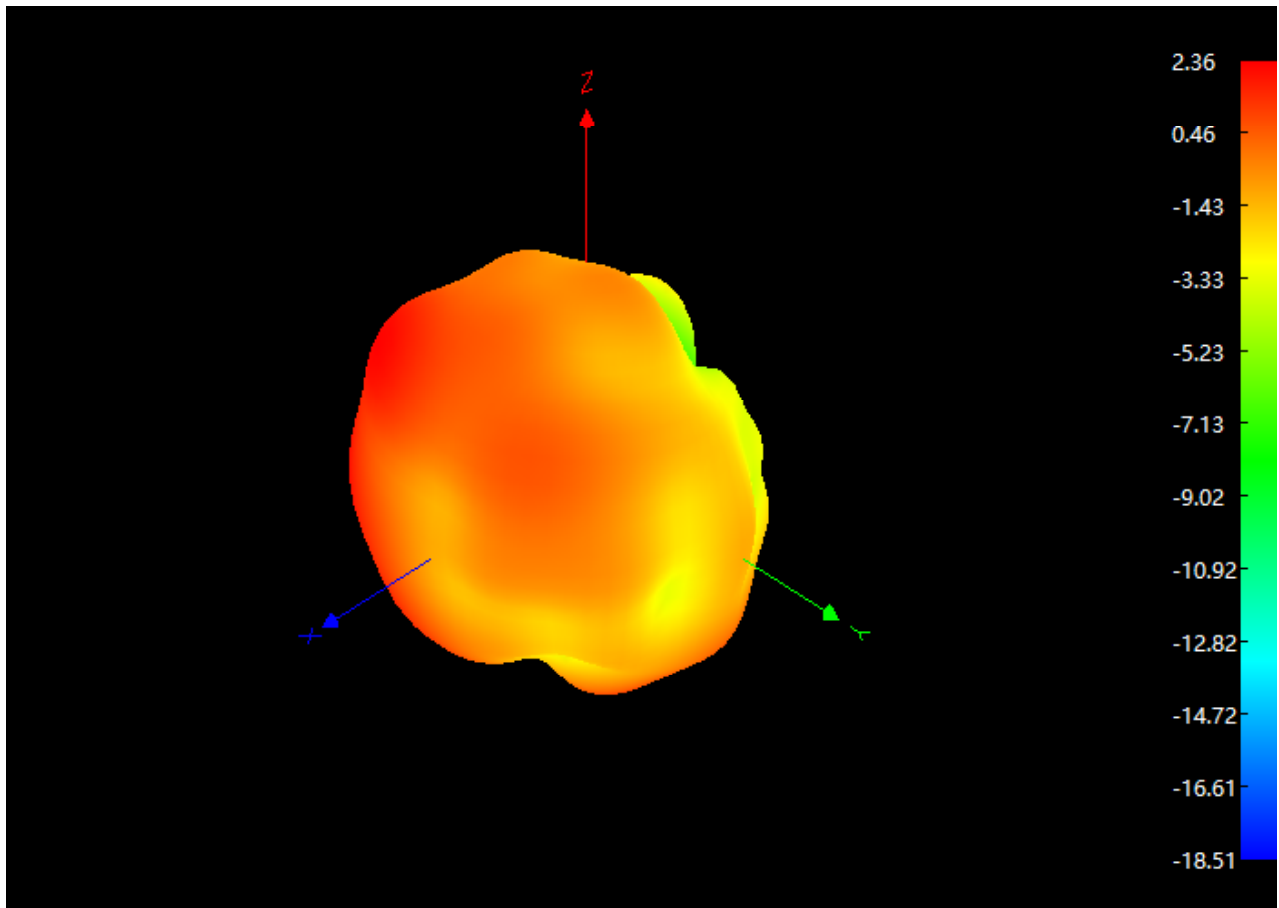


| Passive Test For BT Antenna |          |           |            |
|-----------------------------|----------|-----------|------------|
| Freq (MHz)                  | Effi (%) | Effi (dB) | Gain (dBi) |
| 2400                        | 47.8     | -3.2      | 2.0        |
| 2410                        | 46.5     | -3.3      | 2.1        |
| 2420                        | 48.1     | -3.2      | 2.1        |
| 2430                        | 48.5     | -3.1      | 2.0        |
| 2440                        | 48.5     | -3.1      | 2.3        |
| 2450                        | 50.1     | -3.0      | 2.4        |
| 2460                        | 47.0     | -3.3      | 2.5        |
| 2470                        | 45.7     | -3.4      | 2.8        |
| 2480                        | 44.6     | -3.5      | 3.2        |
| 2490                        | 46.6     | -3.3      | 4.0        |
| 2500                        | 46.9     | -3.3      | 3.9        |

Address: No. Muyu Road, Shatou District, Chang'an Town, Dongguan City, Guangdong  
Tel:0769-82586086 Fax:0769-82586086



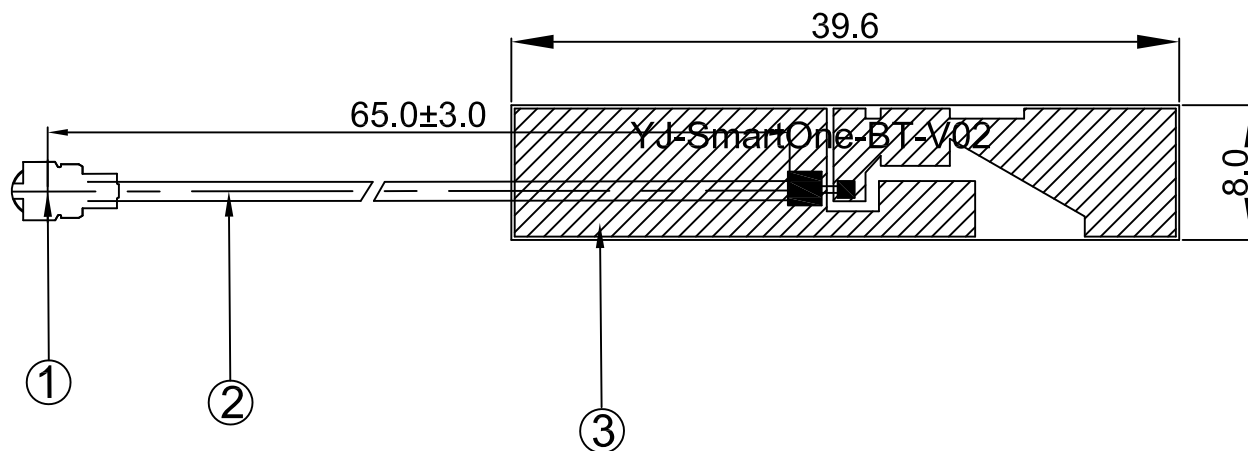
## Radiation Pattern For BT Antenna(2450MHz)



**RoHS**  
Compatible

|          |  |
|----------|--|
| CUSTOMER |  |
| PART NO  |  |

|      |             |            |
|------|-------------|------------|
| REV. | DESCRIPTION | DATE       |
| △    | 首次发行        | 2023-07-13 |
|      |             |            |




**东莞市一佳电子通讯科技有限公司**  
 Dongguan YiJia Electronics Communication Technology Co.,Ltd. Tel :0769-82586086 Fax:0769-82586086

|  |            |             |  |
|--|------------|-------------|--|
| PART NAME: BT Antenna                  |            |             |  |
| PART NO.:YJH01.095.001.302A-BT         |            |             | DATE: 2023-07-13   |
| APPROVED BY                            | CHECKED BY | DESIGNED BY | <br>Tolerance<br>X.X ±0.50<br>X.XX±0.15<br>X° ±3° |
| 陈国强                                    | 申辉         | 崔佳斌         |  |
| UNITS: mm<br>SCALE: 1/1<br>REVISION: A |            |             |  |

|    |                |                |          |               |      |
|----|----------------|----------------|----------|---------------|------|
| 3  | FPCB           | 39.6*8.0MM     | FPCB     | FPC1000XA.P01 | 1    |
| 2  | Coaxial Cable  | O.D.1.13 Black | O.D.1.13 | COA1000XA.P01 | 1    |
| 1  | Mini Connector | Au Plated 1代   | Cu       | TER1000XA.P01 | 1    |
| NO | PART NAME      | DESCRIPTION    | Material | Part          | Q.TY |

1 2 3 Number 4 5 6 7 8