



# 东莞市一佳电子通讯科技有限公司

Dongguan YiJia Electronics Communication Technology Co.,Ltd.

## 规格承认书

### SPECIFICATION FOR APPROVAL

日期 Date	2023/07/22
编号 File No	23072201
版本 Revision	1.0

Manufacturer: Dongguan YiJia Electronics Communication Technology Co.,Ltd.

Address: No. Muyu Road, Shatou District, Chang'an Town, Dongguan City, Guangdong

Name: WIFI Antenna

Model: YJH01.095.001.301A-WIFI



# 天线规格

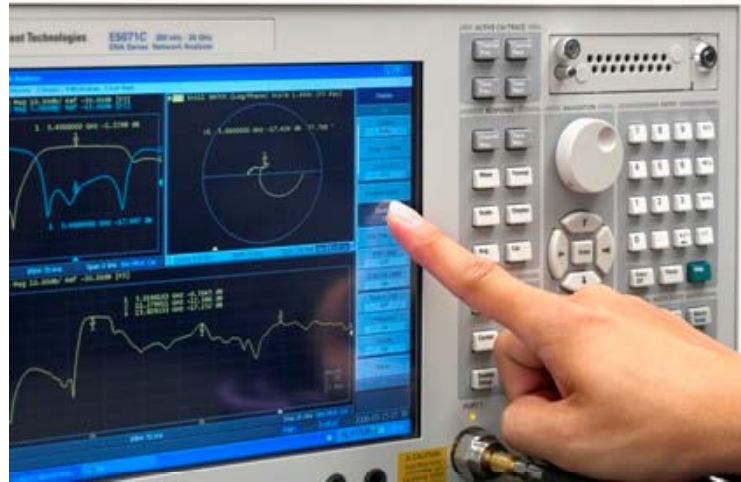
## Antenna Specification

<b>Electrical Properties</b>	
Frequency	2.4-2.5GHz 5.15-5.85GHz
Impedance	50 Ohm Nominal
V.S.W.R	2.0 Max
Gain	4.5 dBi@2.4-2.5GHz 5.3 dBi@5.15-5.85GHz
Radiation	Omni-directional
Polarization	Linear
<b>Physical Properties</b>	
Connector	IPEX
Cable Type	O.D.1.13mm
Cable Length	70mm
Cable Color	Black
Operating Temp.	-40 ~ +85 °C
Storage Temp / Humidity	25±5°C / <70%



# Antenna Performance Test

**Agilent  
E5071B**

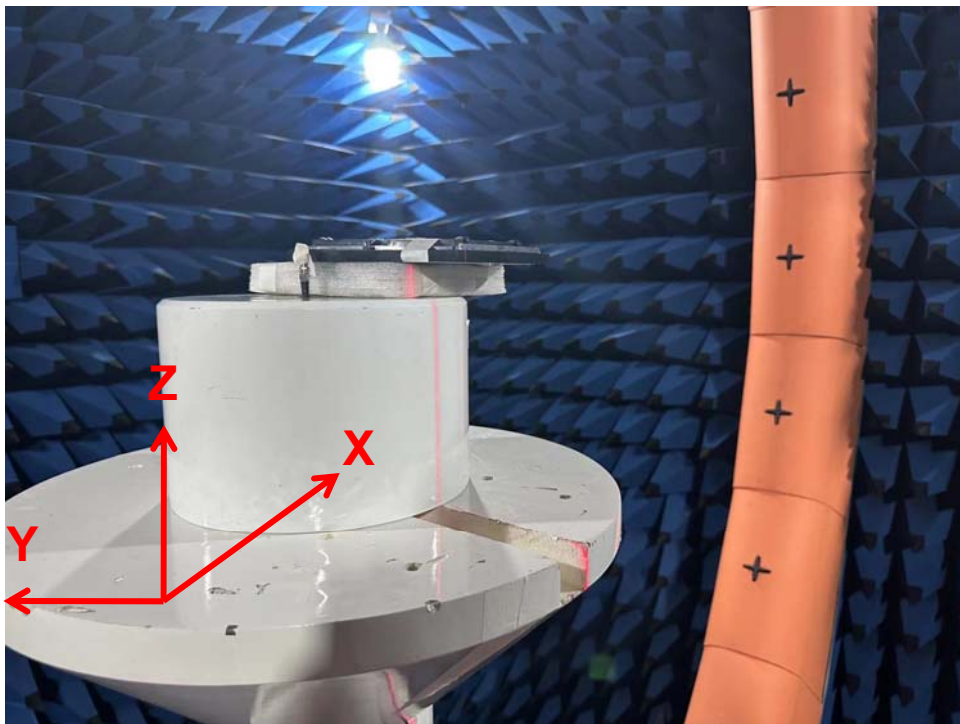
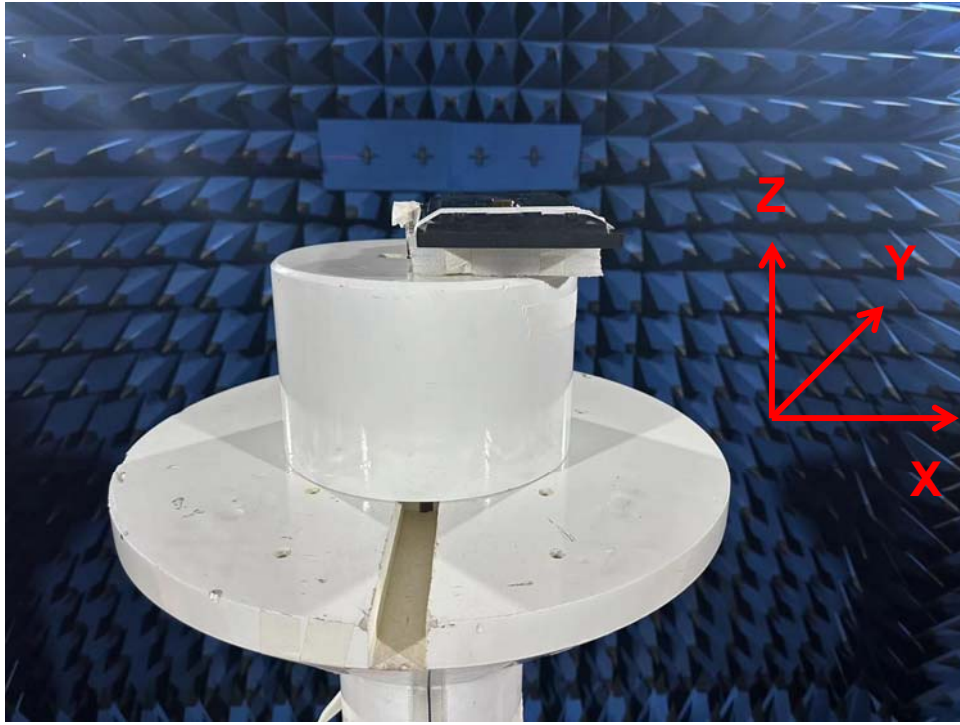


**S11  
Parameter  
Test //  
WIFI  
Antenna**





## *Antenna Passive Test*





### Passive Test For WIFI Antenna

Freq (MHz)	Effi (%)	Effi (dB)	Gain (dBi)
2400	47.5	-3.2	3.2
2410	46.4	-3.3	3.2
2420	49.2	-3.1	3.2
2430	49.8	-3.0	3.2
2440	51.2	-2.9	3.6
2450	53.7	-2.7	4.2
2460	51.2	-2.9	4.2
2470	51.1	-2.9	4.4
2480	49.6	-3.0	4.5
2490	50.0	-3.0	4.5
2500	48.3	-3.2	4.4

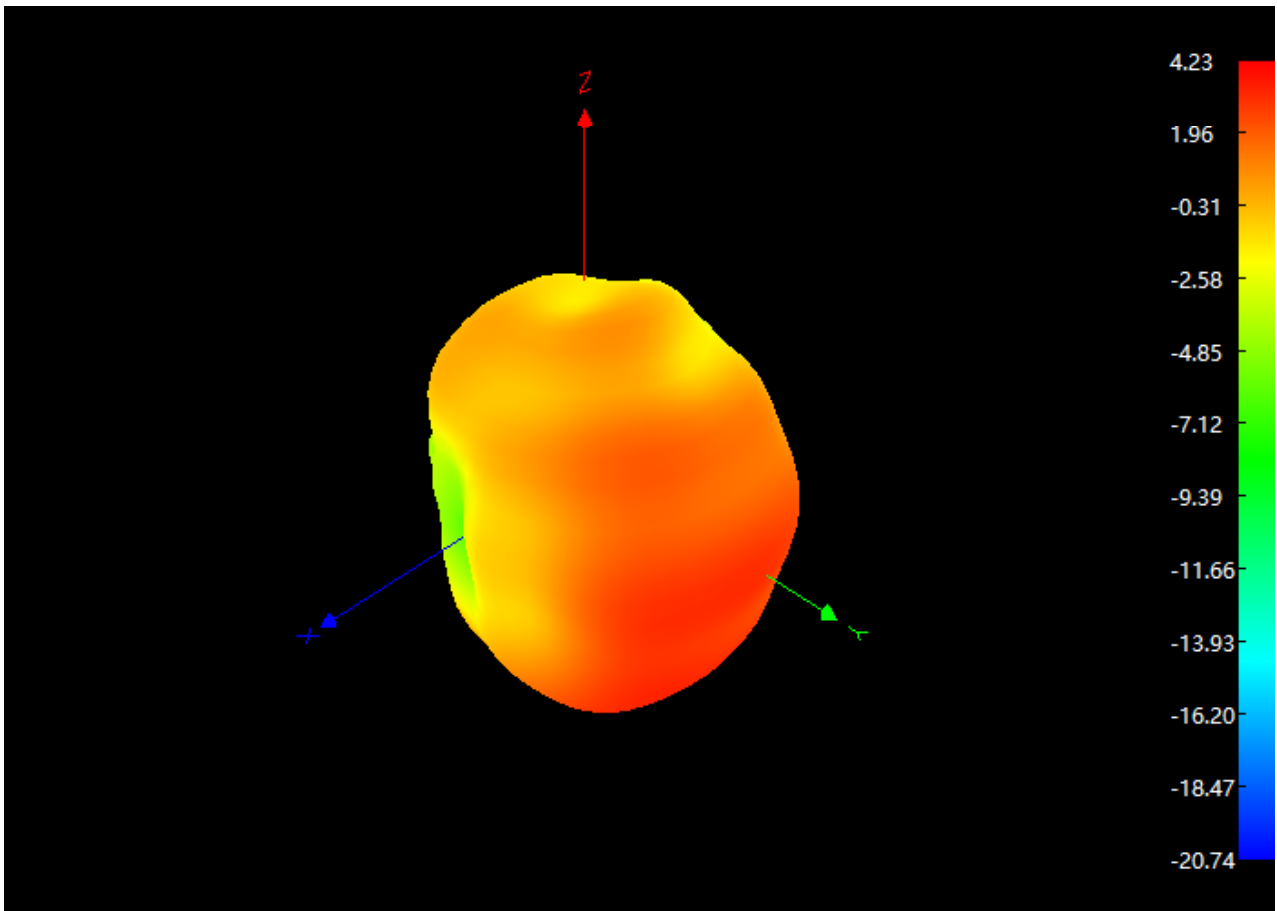


### Passive Test For WIFI Antenna

Freq (MHz)	Effi (%)	Effi (dB)	Gain (dBi)
5150	42.9	-3.7	4.1
5200	42.4	-3.7	3.6
5250	41.9	-3.8	3.5
5300	40.1	-4.0	2.6
5350	40.7	-3.9	2.8
5400	50.8	-2.9	3.3
5450	58.6	-2.3	3.5
5500	52.5	-2.8	3.7
5550	55.3	-2.6	4.1
5600	57.3	-2.4	4.3
5650	55.0	-2.6	3.6
5700	51.7	-2.9	4.3
5750	56.1	-2.5	5.3
5800	57.6	-2.4	3.9
5850	56.1	-2.5	4.2

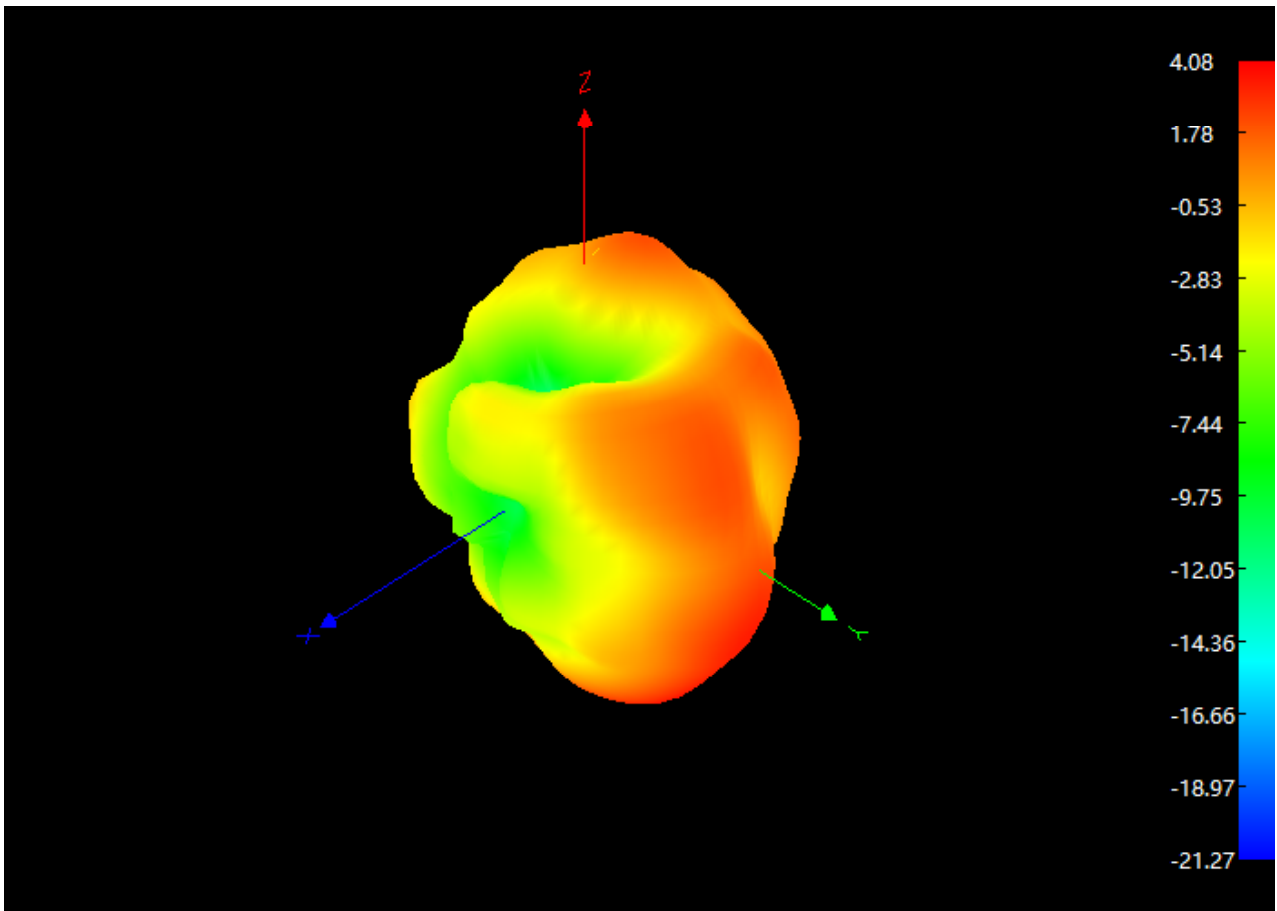


## Radiation Pattern For WIFI Antenna(2450MHz)





## Radiation Pattern For WIFI Antenna(5150MHz)

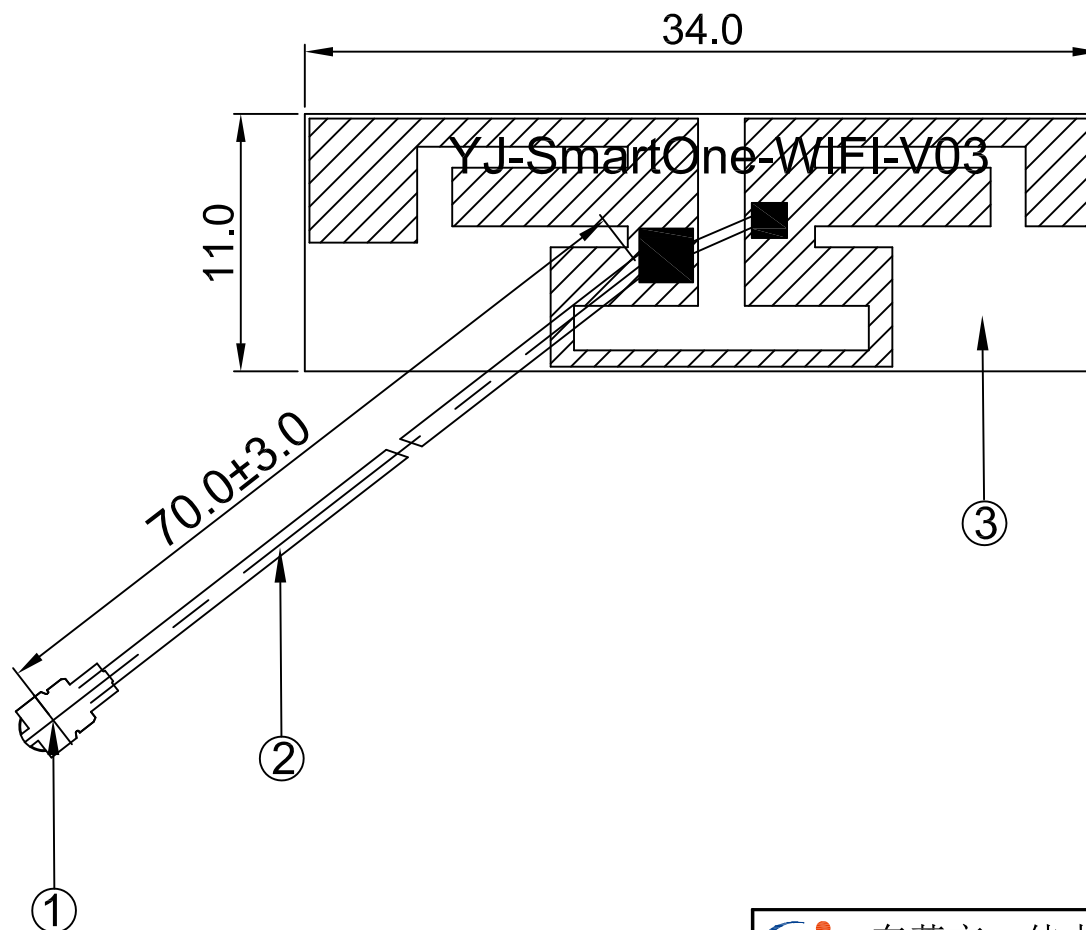




**RoHS**  
Compatible

CUSTOMER	
PART NO	

REV.	DESCRIPTION	DATE
△	首次发行	2023-07-13




 东莞市一佳电子通讯科技有限公司  
 Dongguan Yijia Electronics Communication Technology Co.,Ltd. Tel.:0769-82586086 Fax:0769-82586086

PART NAME: WIFI Antenna			
PART NO.:YJH01.095.001.301A-WIFI			DATE: 2023-07-13
APPROVED BY	CHECKED BY	DESIGNED BY	 Tolerance X.X ±0.50 X.XX±0.15 X° ±3°
陈国强	申辉	崔佳斌	
UNITS: mm SCALE: 1/1 REVISION: A			

3	FPCB	34.0*11.0MM	FPCB	FPC1000XA.P01	1
2	Coaxial Cable	O.D.1.13 Black	O.D.1.13	COA1000XA.P01	1
1	Mini Connector	Au Plated 1代	Cu	TER1000XA.P01	1
NO	PART NAME	DESCRIPTION	Material	Part	Q.TY

1 2 3 Number 4 5 6 7 8