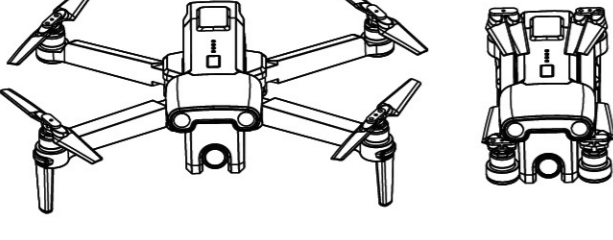


- (5) 远离障碍物及人群
由于飞行器飞行时具有不确定的飞行速度和状态，存在潜在的危险性。飞行时必须远离人群、高层建筑、高压电线等，同时避免在风雨、雷电等恶劣天气下飞行，以确保飞行安全、周围人群和财产的安全。
- (6) 远离潮湿环境
飞行器内部是由许多精密的电子元件和机械零件组成，所以必须防止飞行器潮湿或水气进入机体，以免机械、电子元件故障而引起意外！
- (7) 正当使用本产品
请使用原装零件进行升级、改装或者维修，以确保飞行器的安全。请按本操作说明指引的方法操作使用本产品，且不得用于安全法令之外的其它非法用途。(1) 远离障碍物及人群，遥控飞行器飞行时具有不确定的飞行速度和状态，存在潜在的危险性。飞行时必须远离人群、高层建筑、高压电线等，同时避免在风雨、雷电等恶劣天气下飞行，以确保飞行员、周围人群和财产的安全。
- (8) 避免独自操控
遥控飞行器操控技巧在学习初期有着一定的难度，要尽量避免独自操作飞行，需有经验丰富的人士在旁指导(用电脑模拟软件练习或请有经验的遥控飞行员指导是有效的学习方法之一)。
- (9) 安全操作
请根据自身的状态和飞行技能，操作遥控飞行器。疲乏、精神不佳或操作不当，将会增加意外风险的概率。
- (10) 远离高速行驶车辆
当车辆在高速行驶时，请飞行员、周围人群和财产远离车辆部件，以免造成危险及损坏。
- (11) 远离热源
遥控飞行器是由金属、纤维、塑胶、电子元件等材料组成，因此要尽量远离热源、防止日晒，避免因高温引起的变形甚至损坏。

AO SEN MA Auto-Follower 6-Axis System



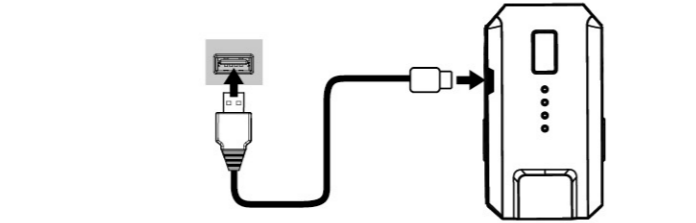
INSTRUCTION MANUAL

Please read and understand the manual before use. This manual contains important information and keep this manual handy for further reference. Images and descriptions may vary from your received model.

六、安全机制

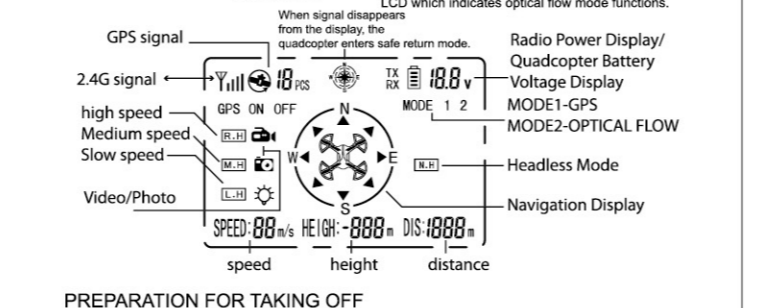
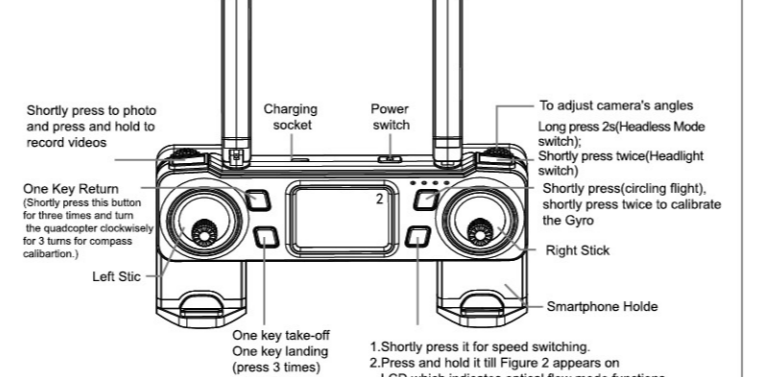
- 失联自动返航**
当飞行过程中因遥控器失联时，飞行器会以最大速率返航并降落至起飞点，遥控器发出“滴”的长鸣循环，中途若恢复遥控器通讯则停止返航和遥控器长鸣并由遥控器接管。
- 低电量自动返航**
当飞行过程中因电量过低时，会自动返航。低电量分为两个阶段。满足第一阶段低电量时，飞行器会抬升至30米高度(若高于30米则保持原高度)以最高飞行速度返回起飞点上空，而后只允许在起飞点半径30米的范围内飞行。当满足第二阶段低电量时，飞机抬升至30米高度，以最高飞行速度返回起飞点半径30米上空，并自动降落至起飞点并自动上锁停机。期间遥控器允许接管，无操作时会根据判断状态进行自动返航，以策安全。
- 倾斜保护**：当机身倾斜超过80度时，飞行器会自动停机，避免损坏。

七、电池的充电方法及注意事项



电池充电方法：
将电池带插头一端插在USB上(如图所示)充电时绿灯长亮，短路灯慢闪。
注意：电源适配器尽量用1-2A电流输出，11.1V2500mAh的电池用1-2A的适配器充电；充电时间大约4小时左右！

TRANSMITTER



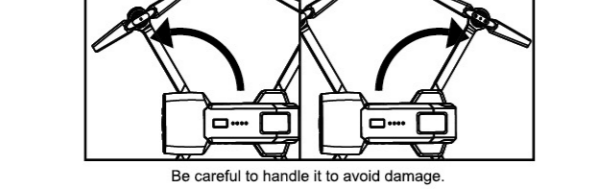
PREPARATION FOR TAKING OFF
Be sure that both the transmitter and the quadcopter have sufficient battery power.
1) Checking Propellers: There are two types of propellers installed on quadcopter. --One pair of propellers, marked with 'O', will rotate clockwise. --The other pair, marked with 'I', will rotate anti-clockwisely.

四、飞行操作

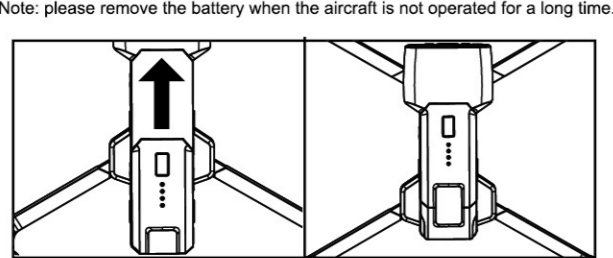
- 普通飞行操作：**
油门杆控制飞行器上升和下降，俯仰杆控制飞行器左右转向，横滚杆控制飞行器前后飞行，横滚杆控制飞行器左右侧向飞行。



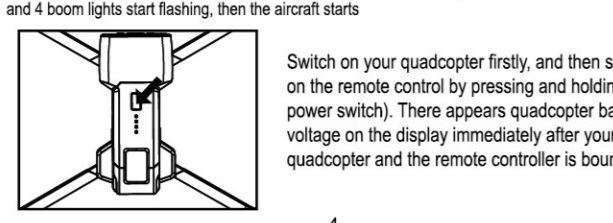
2) Extending the arms in the illustrated directions until they are snapped onto the shell.



3) Battery Installation: Insert the battery pack into the battery compartment until it is secured.



4) Binding Operation:

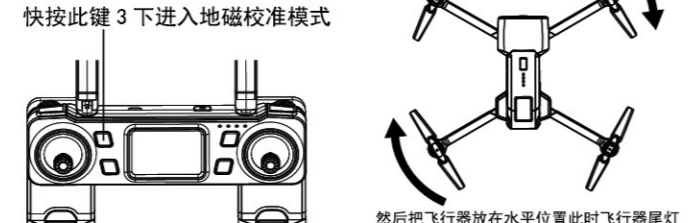


五、降落操作

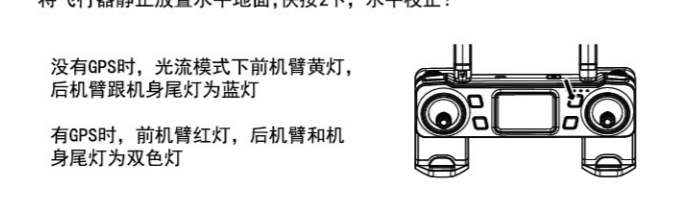
- 手动降落：**下拉油门杆，以一定速率下降飞机，将飞机平稳的降至地面并保留油门杆下拉1.2s，飞机将会自动上锁停机。



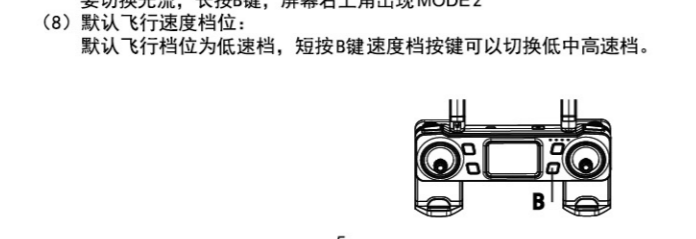
(5) 地磁校正



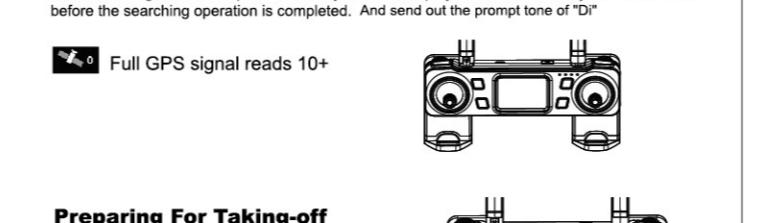
(6) 首次使用校准水平：



(7) 飞行模式



9) GPS Mode



Preparing For Taking-off

1) Lock /Unlock
Place the quadcopter on a plane level. To unlock: Pull the two rods outwards. The transmitter gives off one beeping sound and then the quadcopter is ready to fly. To lock: Pull the two rods inwards.

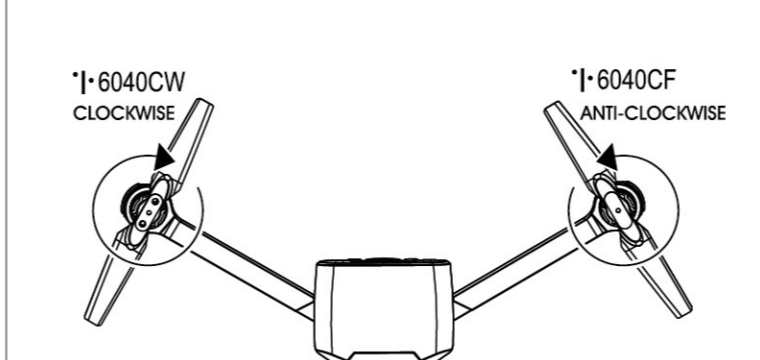
2) One-Key Taking-off

Make sure the quadcopter is unlocked. Shortly press button C (One-Key taking-off) three times, release the button until the transmitter goes one beeping sound. The quadcopter will automatically take off.

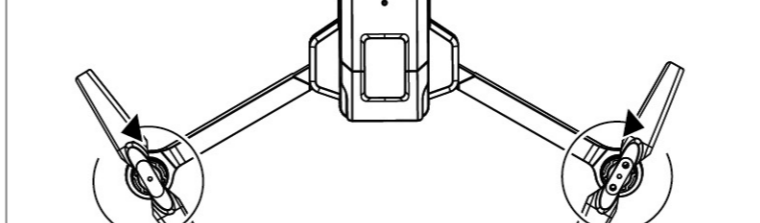
3) Manual Taking-off

Unlock the quadcopter. Pull the throttle rod as shown to enable it to ascend gently. Centre the throttle rod when the quadcopter reaches the desired height.

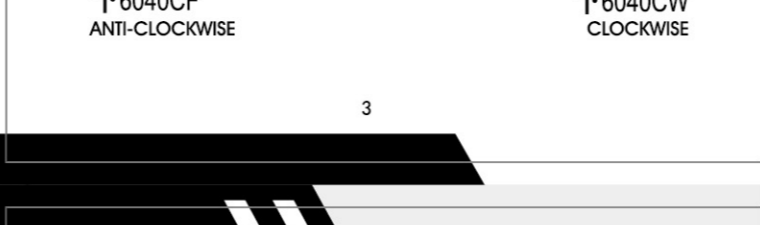
(3) INSTALLATION DIAGRAM OF BLADE



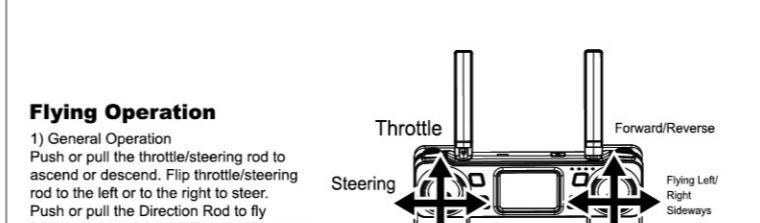
(2) 一键降落：



(3) 一键返航：



(4) 关闭飞行器：



Flying Operation

1) General Operation
Push or pull the throttle/steering rod to ascend or descend. Flip the throttle/steering rod to the left or to the right to steer. Push or pull the Direction Rod to fly forwards or backwards. Turn the Direction Rod to the right or to the left to fly left/right sideways.

Preparing For Landing

1) Manual Landing: Gently pull the throttle/steering rod down to descent. The quadcopter will be automatically locked up after landing.

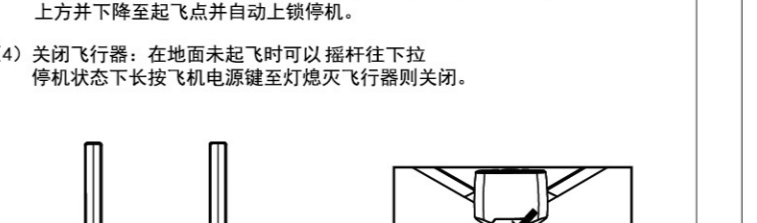
2) One-Key Landing Mode:

Press One-Key Landing three times and transmitter goes one beeping sound. One-Key Landing Mode will be performed.

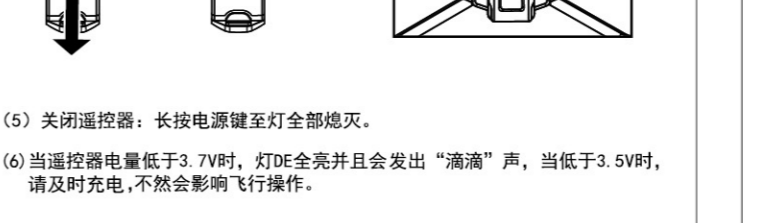
(2) 一键降落：



(3) 一键返航：



(4) 关闭飞行器：



(5) 关闭遥控器：



Outdoor Use
Package: Close Box
Battery Pack: 11.1V 2500 mAh
Weight: 430G

Motor: Brushless 2305
ESC: 10A
Receiver Type: RX-036
Transmitter: TX-036

Propeller: Foldable 6040
Shaft Span: 230mm
Product Height: 80mm
Play Time: Approx. 28mins
(no load flight)

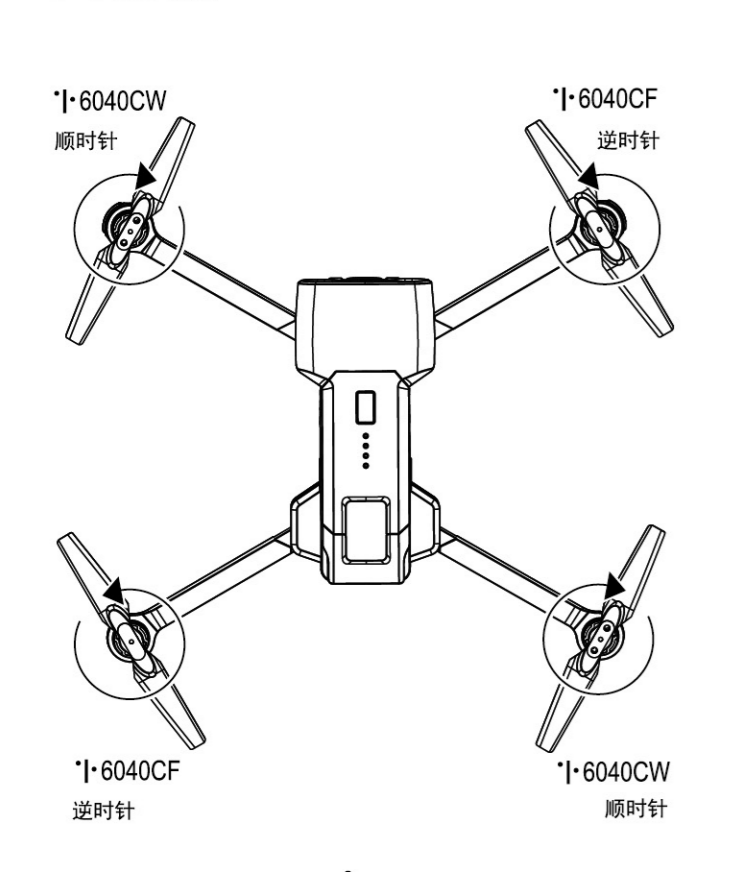
Main Features

- GPS
- WIFI
- CIRCLING FLIGHT
- TWO-WAY TRANSMISSION
- AUTO HOVER HOLD AND GPS POINT ORIENTATION
- MOBILE AUTOMATIC FOLLOWING
- FAIL SAFE RETURN AND SAFE LANDING
- ONE KEY RETURN
- SIMPLE CAMERA PLATFORM
- HEADLESS MODE
- OPTICAL FLOW LOCATION
- 4K ULTRA HD 4K CAMERA

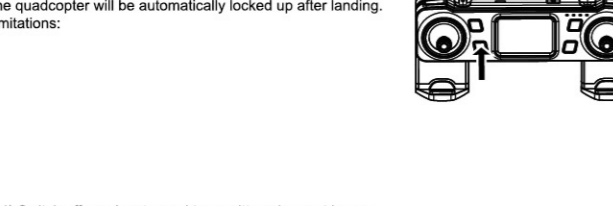
尊敬的顾客：
您好！
感谢您选购本公司产品。为了让您更快捷、安全地掌握飞行器的操作，请您仔细阅读说明书，同时也请您妥善保管说明书原件，以便以后查询、参考。

- 重要声明**
(1) 该产品不是玩具，而是将机械、电子、空气力学、高频发射等专业知能融为一体的高精密设备，需要正确组装和调试才可避免事故发生。该产品必须由专业人士使用安全的方式操作控制。操作不当，可能引起严重的人身伤害或者财产损失，我们对此不负任何责任，因为我们不能操控他们组装、使用、操作的过程。
(2) 本产品适用于有操作经验、年龄不小于14周岁的人群。
(3) 飞行场所必须是当地合法的遥控模型飞行场所。
(4) 产品一经售出，我们将不承担任何由操作和使用、控制等方面产生的安全责任。
(5) 如遇使用、操作、维修等问题，我们要托经销商提供技术支持和售后服务，请与当地经销商联系。
- 安全注意事项**
遥控模型飞行器是高风险性商品，飞行时必须远离人群，特别注意不能用手指触碰在飞行中的桨叶。为组装不当或机体损坏、电子控制设备不良，以及操作不熟悉，都有可能造成飞行器损坏或人身伤害等不可预期的意外。请飞行员务必注意飞行安全，并了解因自身疏忽造成意外的责任。
3. 飞行前注意事项
(1) 确定遥控器与接收器的电池电量处于饱和的状态。
(2) 开机前确认遥控器的油门杆、油门微调处于最低位置。
(3) 开机时必须调光源、关机顺序。开机时应先开启遥控器电源，再连接飞行器电源；关机时应先断开飞行器电源，再关闭遥控器，不正确的关机顺序可能会导致飞行器失控的想象，影响自身与他人的安全。请养成正确的关机习惯。
(4) 确认电池与马达等部件之间的接头连接是否牢固、可靠。飞行器的持续震动，都可能造成电源接头脱落，而导致飞行器失控。

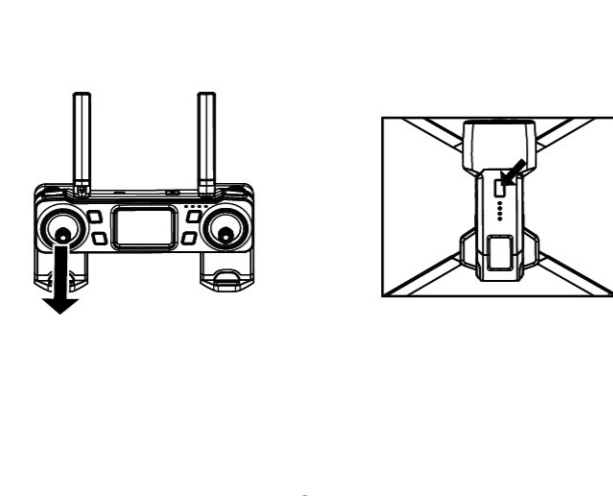
(3) 桨叶的安装图解



3) One-Key Return



4) Switch off quadcopter and transmitter when not in use.



1.INTRODUCTION

Thank you for purchasing our brushless drone. We know that you are eager for the flight. However, we strongly recommend that you read and understand all instructions in the manual before flying. Keep this manual handy for future reference.

主要特性

- GPS
- WiFi 高清图传
- 环绕飞行功能
- 双向数传遥控器
- 定点定高
- 手机自动跟随功能
- 失控返航和 安全着陆
- 一键返航功能
- 简易云台
- 无头模式
- 光流定位
- 4K ULTRA HD 4K拍摄

1)General Safety Information

- We do not expose the product to heat source. Failure to do so will damage your product.
- The operator must be an experienced user. People under 14 years is not allowed to operate.
- Fly in an open area where it is legal for flying the product.
- Always make contact with the local dealers for after-sale service if necessary.
- Keep away from the crowd/people when you fly the product.
- Do not touch the rotating parts.
- Take care of yourself and others around you to avoid injuries.

2)Operation Information

- Verify that both your radio controller and product are of enough battery power before flying.
- The throttle rod and the throttle trim must be set to low position before switching on the radio controller.
- Start flying: Always switch on the radio controller and then the product.
- Stop flying: Always switch off the product and then the radio controller.
- Check all the connectors and the wires before flying. Repair or replace with the new ones if necessary. The loose connectors will cause the product to lose power while flying.

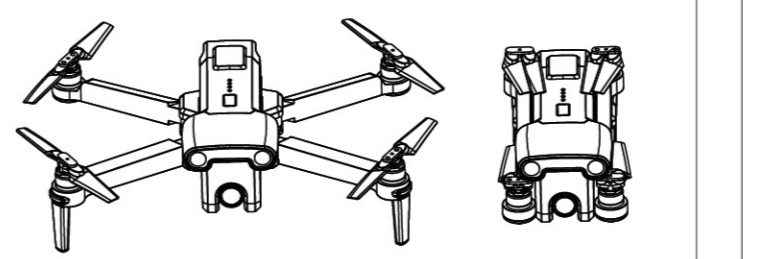
E) Keep away from people and buildings

- The flight can be unexpected and dangerous. Make sure that you keep away from people and buildings. Failure to do so will lead in the damages and injuries. We wrongly recommended that you should NOT fly in a windy and windy day. Stop flying immediately it gets bad weather. We wish you a pleasure and safe flight.
- Keep away from water. The product contains high-precision electronic parts. Take care to keep away from water. Moisture getting in will do damage to the electronic parts.
- Keep away from high-voltage lines
- Use ONLY factory parts
- We do not recommend that you operate the product alone if you are a novice operator. A novice operation can ONLY operate the product under the experts' supervision. Always seek the help with the experienced operators.
- Do NOT operate the product when you are tired. Careless operation will unexpectedly cause the serious damages and injuries.
- Do not expose the product to heat source. Failure to do so will damage your product.

NOTE:

After flying you must clean and store your product in a dry place away from moisture. This equipment has been tested and found to comply with the limits for a Class B digital device, pursuant to part 15 of the FCC Rules. These limits are designed to provide reasonable protection against harmful interference in a residential installation. This equipment generates uses and can radiate radio frequency energy and, if not installed and used in accordance with the instructions, may cause harmful interference to radio communications. However, there is no guarantee that interference will not occur in a particular installation. If this equipment does cause harmful interference to radio or television reception, which can be determined by turning the equipment off and on, the user is encouraged to try to correct the interference by one or more of the following measures:
-Reorient or relocate the receiving antenna.
-Increase the separation between the equipment and receiver.
-Connect the equipment into an outlet on a circuit different from that to which the receiver is connected.
-Consult the dealer or an experienced radio/TV technician for help
Changes or modifications not expressly approved by the party responsible for compliance could void the user's authority to operate the equipment.
This device complies with Part 15 of the FCC Rules. Operation is subject to the following two conditions:
(1) This device may not cause harmful interference, and
(2) This device must accept any interference received, including interference that may cause undesired operation.

AO SEN MA Auto-Follower 6-Axis System



快速入门手册

飞行操作前请仔细阅读操作手册！说明书含有重要信息，请保留！
说明书附图可能与实物不同，图片仅供参考

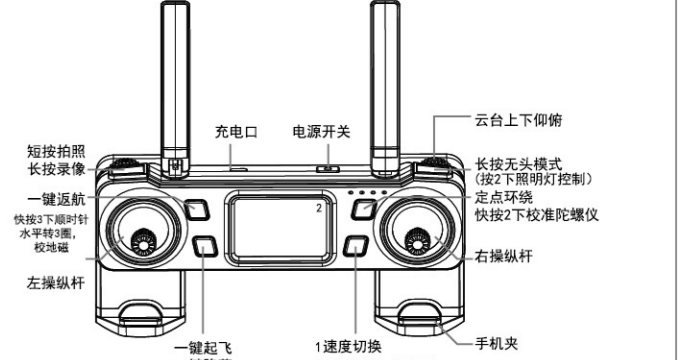
Safety Information

- 1) Fail Safe:**
The quadcopter will return automatically as long as failure occurs. Under this condition, the transmitter gives off long-time beeping sounds. Pressing and holding One-Key button will resume and you can take over by transmitter to operate it.
- 2) Low Battery Power Return**
The quadcopter will return when low battery power is detected. Pressing and holding One-Key button will resume and you can take over by transmitter to operate it.
- 3) Leaning-Flying Prevention**
The quadcopter will be automatically switched off once it leans over 80 degrees.

Charging Battery Pack

Take out the battery pack from the quadcopter. Connect the battery pack with the USB charger. Charging: Green LED flashes slowly Fully charged: Green LED is solid on. Circuit Indication: Red LED flashes slowly. Note: The USB can be connected with the smartphone adaptor (Output: 1-2A) to reduce the charging time into 3.5 hours.

二、飞行器与遥控器整体概况



三、起飞准备

- 飞行器的电池电量要11.5V以上，遥控器的电量要在3.8V以上。
- 桨叶 如下图，飞机带有逆时针产生动力，顺时针产生动力的两种桨叶。