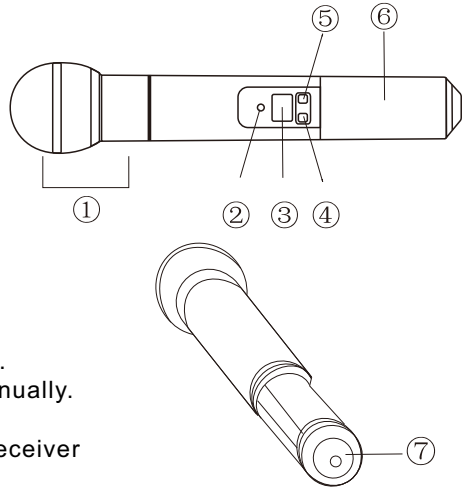


UHF-6000HMM WIRELESS MICROPHONE

Parts Description

1. Interchangeable microphone head
2. Power / Infrared(IR) /Mute indicator:
Green-ready; Orange-mute on;
Flashing orange-IR transmission
in process
3. LCD screen: display group, channel
number and battery power.
4. On-off / mute switch: Press and hold
1~2 seconds to turn microphone
on or off. Press shortly to mute/unmute.
5. Select switch: To set up transmitter manually.
6. Battery cover/compartment
7. IR port: Receives infrared beam from receiver
to synchronize frequencies.



Automatic Setup

1. Turn on the microphone.
2. Open battery cover to display the infrared (IR) port.
3. Point microphone IR port to receiver IR sensor.
4. Press "SYNC" button on receiver. Antenna signal will display in receiver screen.
5. Close the battery cover.

► **Be sure that only one microphone IR port is exposed when synchronizing a system.**

Manual Setup

You can set up microphone group and channel manually also.

1. Press and hold the "SELECT" button until GROUP and CHANNEL displays begin to alternate.
2. To change the group setting, release the "SELECT" button while GROUP is displayed. While GROUP is flashing, press "SELECT" button to increase the group number by one.
3. To change the channel setting, release the "SELECT" button while CHANNEL is displayed. While CHANNEL is flashing, press "SELECT" button to increase the channel number by one.

Specifications

Frequency Range: 512~537.5MHz

Frequency Stability: 10ppm

Transmitting power: 10mW

Spurious emission: <-40dB

Modulation: FM

Max modulation: 75K

Power supply: 3V (2 AA batteries)

Current consumption: 120mA

NOTE: This equipment has been tested and found to comply with the limits for a Class B digital device, pursuant to part 15 of the FCC Rules. These limits are designed to provide reasonable protection against harmful interference in a residential installation. This equipment generates uses and can radiate radio frequency energy and, if not installed and used in accordance with the instructions, may cause harmful interference to radio communications. However, there is no guarantee that interference will not occur in a particular installation. If this equipment does cause harmful interference to radio or television reception, which can be determined by turning the equipment off and on, the user is encouraged to try to correct the interference by one or more of the following measures:

- Reorient or relocate the receiving antenna.
- Increase the separation between the equipment and receiver.
- Connect the equipment into an outlet on a circuit different from that to which the receiver is connected.
- Consult the dealer or an experienced radio/TV technician for help

Changes or modifications not expressly approved by the party responsible for compliance could void the user's authority to operate the equipment.

This device complies with Part 15 of the FCC Rules. Operation is subject to the following two conditions:

(1) this device may not cause harmful interference, and (2) this device must accept any interference received, including interference that may cause undesired operation.