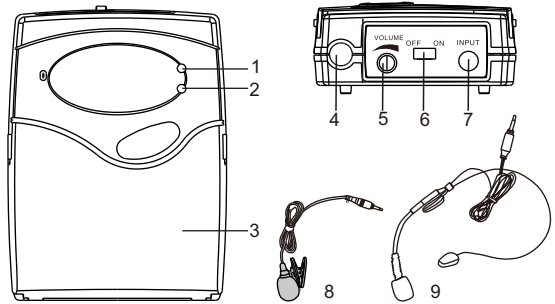


# UHF-10BP BODY-WORN WIRELESS MICROPHONE

## Parts Description

1. Low battery Indicator
2. Power indicator
3. Battery Compartment/Cover
4. Antenna
5. Volume control
6. Power ON/OFF Switch
7. MIC input jack
8. Lapel MIC
9. Headset MIC



## Operation

1. Open battery cover and install 2PCS AA batteries into battery compartment with correct polarity. Then close the battery cover.
2. Insert supplied headset MIC or lapel MIC into MIC IN jack. Turn the metal slip ring on the plug clockwise to thread it on to the jack.
3. Slide power switch to "ON" position to turn on the transmitter. Power indicator will light green. This indicates correct operation.
4. Now receiver RF indicator will light (Please confirm frequency of transmitter same as that of receiver before operation).
5. During operation if low battery indicator lights red, this indicates the battery is low. Please replace new battery.
6. After use please slide power switch to "OFF" position to turn off the transmitter. If you are not going to use the wireless microphone system for a long period of time please take out the batteries from the transmitter to avoid possible battery leakage which may damage the transmitter.

## Specifications

Frequency Range: 517.6MHz or 521.5MHz or 533.7MHz or 537.2MHz

Frequency Stability: 10ppm

RF Output: <10mW

Modulation: FM

Max Deviation:  $\pm 75$ KHz

Spurious Emission:  $\geq 40$ dB

Power Supply: 3V(2xAA batteries)

Current Consumption: 100mA

NOTE: This equipment has been tested and found to comply with the limits for a Class B digital device, pursuant to part 15 of the FCC Rules. These limits are designed to provide reasonable protection against harmful interference in a residential installation. This equipment generates, uses and can radiate radio frequency energy and, if not installed and used in accordance with the instructions, may cause harmful interference to radio communications. However, there is no guarantee that interference will not occur in a particular installation. If this equipment does cause harmful interference to radio or television reception, which can be determined by turning the equipment off and on, the user is encouraged to try to correct the interference by one or more of the following measures:

- Reorient or relocate the receiving antenna.
- Increase the separation between the equipment and receiver.
- Connect the equipment into an outlet on a circuit different from that to which the receiver is connected.
- Consult the dealer or an experienced radio/TV technician for help.

This device complies with part 15 of the FCC rules. Operation is subject to the following two conditions:

- (1) this device may not cause harmful interference, and
- (2) this device must accept any interference received, including interference that may cause undesired operation.

Changes or modifications to this unit not expressly approved by the party responsible for compliance could void the user's authority to operate the equipment.

the microphones are for professional licensed use under 74.861 only.