

iHome



Portable Bluetooth® Party Speaker

iHPS-650LT

©2021 Innovative Concepts & Design, LLC. All Rights Reserved.
iHome is a registered trademark of SDI Technologies Inc. Used Under License.
Bluetooth® is a registered trademark of Bluetooth SIG Inc.
Product specifications and colors may vary from photo.

Manufactured and serviced by:
Innovative Concepts & Design, LLC.
458 Florida Grove Road
Perth Amboy, NJ 08861 USA
(732) 587-5466

iHomePartyAudio.com

INDEX

What's Included	2
Precautions	3
Features	4
Product Overview	5
Wireless Remote Control	6
Specifications	7
FCC Compliance Statement	8
Legality & Safety	9
Warranty & Repair	10
Manual en Español	11
Manuel en Français	15
Handbuch in Deutsch	19
Manuale in Italiano	23
Handleiding in het Nederlands	27

What's Included

Please ensure that you find these accessories with your
Bluetooth Party Speaker

- 1 x iHPS-650LT
- 1 x Power Cable
- 1 x Wired Microphone
- 1 x Remote Control
- 1 x Audio Cable
- 1 x User Manual

PRECAUTIONS

PLEASE READ THESE INSTRUCTIONS GIVEN IN THIS MANUAL AND THOSE MARKED ON THE UNIT This set has been designed and manufactured to assure personal safety. Improper use can result in electric shock or fire hazard. The safeguards incorporated in this unit will protect you if you observe the following procedures for installation, use and servicing. This unit is fully transistorized and does not contain any parts that can be repaired by the user.

WARNINGS

Fire and Electric Shock Hazard

1. Do not place any open flame sources, such as lighted candles, on or near the apparatus.
2. Do not attempt to service the apparatus yourself.
3. Opening or removing covers may expose you to dangerous voltages or other hazards and will void the manufacturer's warranty.
4. To prevent risk of fire or electric shock, avoid overloading wall outlets, extension cords, or integral convenience receptacles.
5. Lightning storms Unplug this apparatus during lightning storms.
6. Object and liquid entry: Never insert objects of any kind through the openings of this apparatus, as it may touch dangerous voltage points or short-circuit parts that could result in a fire or electric shock. Care should be taken so that objects do not fall and liquids are not spilled into the apparatus through openings in the enclosure

NOTES ON USE

- Listening to high volume for a long time could damage your hearing.
- Position the appliance in such a way that there is always enough room for free air circulation (at least 5 cm).
- Before switching on the appliance, always check that the power cable and the connection cable are properly installed.
- Power adaptor must be connected to a socket close to the device and must be easily accessible.
- If you notice excessive heat on the device or power adaptor, disconnect the plug from the main power socket immediately.
- Do not pull the power cord
- Keep this manual.

CARE AND MAINTENANCE

Use a slightly damp soft cloth for cleaning. Do not use solvents and abrasive substances.

FEATURES

The iHPS-650LT is a Bluetooth® Speaker System with dual 6.5" woofers, a 2.5" tweeter and multi-mode beat-synced LED party lighting. Delivering 400 Watts Peak Power for huge sound with EQ presets specially tuned for a variety of music genres as well as manual Bass and Treble EQ controls. Enjoy many hours of use with a built-in long life, rechargeable Lithium battery. The on-board Media Player allows for Bluetooth®, FM Radio, and USB/microSD playback plus an 1/8" AUX input for external devices. The iHPS-650LT also includes Microphone and Guitar inputs with Equalization Controls and Echo Effect, with a wired microphone included! Volume rotary and media control buttons on top of unit and included remote puts the control at your fingertips. Links to a 2nd iHPS650LT series speaker via TWS connection for a True Wireless Stereo pair. Lightweight yet rugged build with ergonomic handle for easy portability. The iHPS-650LT is perfect party speaker for any occasion!

THE ULTIMATE PARTY SPEAKER

Wherever the party takes you, the iHPS-650LT will supply hours and hours of entertainment, packing huge unmistakable sound into an ultra-portable speaker.

LED LIGHTING FX

Dazzle partygoers with 6 different modes of multi-color RGB lighting effects covering the entire front panel of the speaker.

FULL RANGE OF SOUND

Dual 6.5" Woofers plus a 2.5" High Frequency Tweeter produce ultra-smooth lowend bass and clear high-end treble. Includes 5 EQ Presets for different music styles.

ASSORTED AUDIO OPTIONS

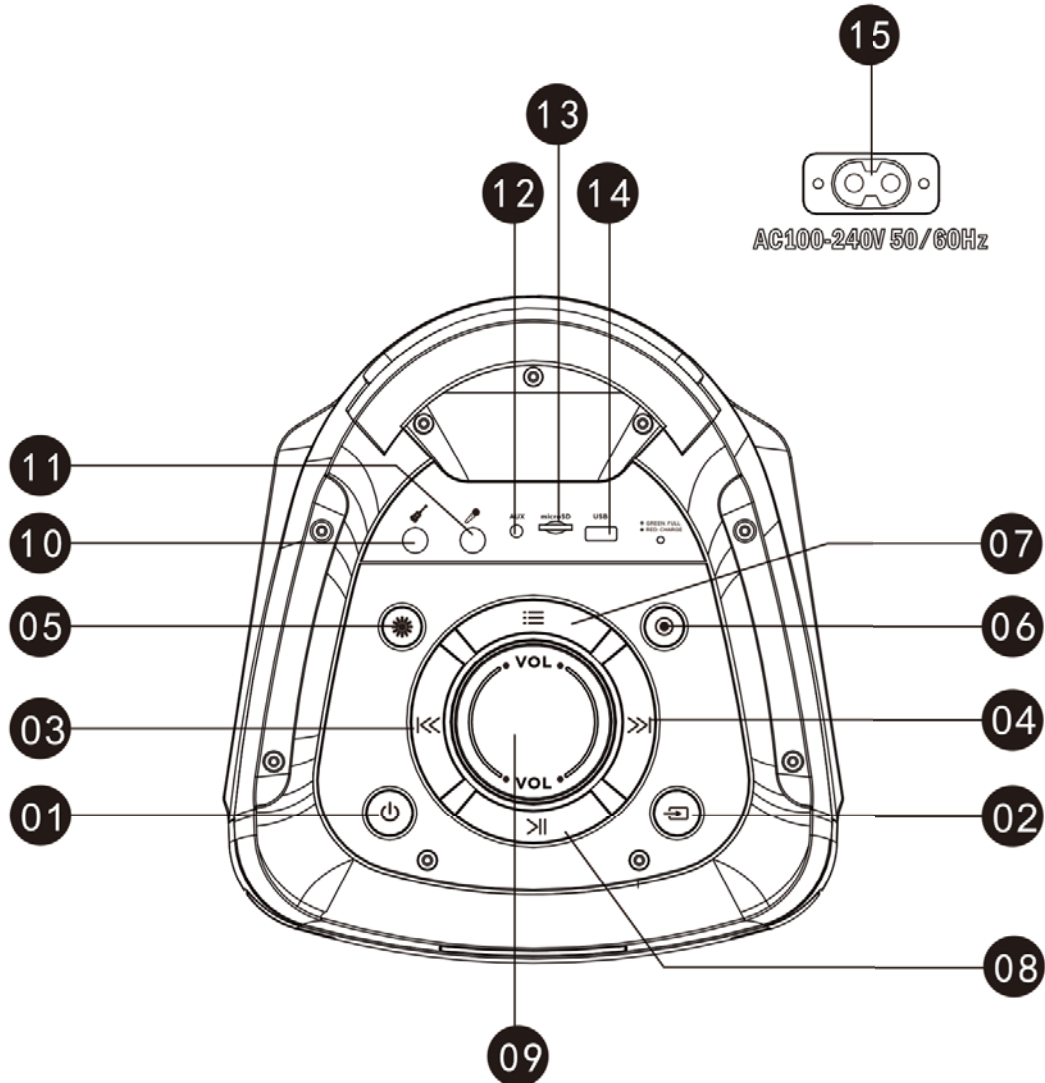
Dedicated inputs for guitar and the included microphone with Echo effect, in addition to AUX input, USB/SD playback, FM Radio and Bluetooth™ connectivity.

Whatever your sound source, the iHPS-650LT will have the connections you need.

TOTAL PORTABILITY

With 5+ hours of battery life and an included remote control, you can take the iHPS650LT anywhere high-quality sound and lighting are needed, your imagination is your only limitation.

PRODUCT OVERVIEW



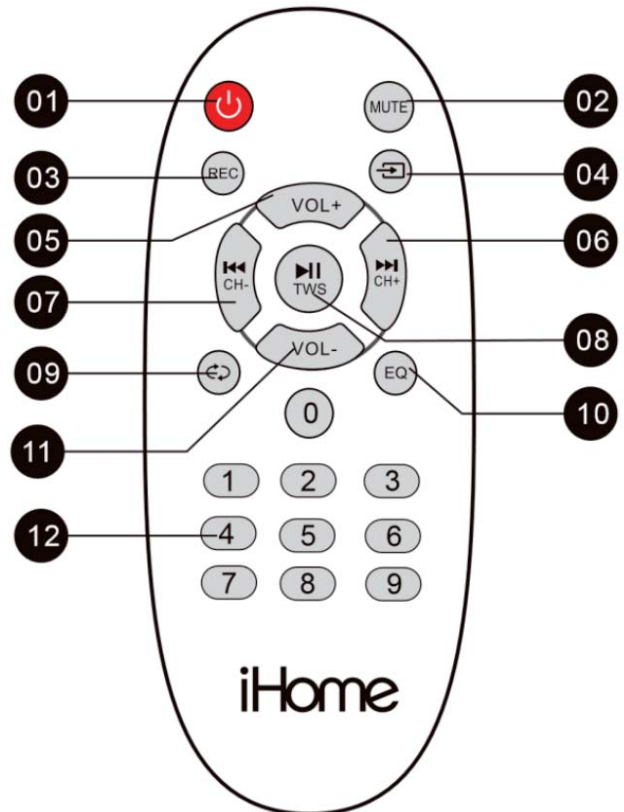
1. **POWER** (Stand-by)
2. **MODE Button**
3. **PREV Button** (Previous song)
4. **NEXT Button** (Next song)
5. **LED Button** (Light Switch)
6. **RECORD Button** 7. **MENU Button**
(Treble / Bass / Microphone
Vol / Microphone Echo /
Guitar Vol)

8. **PLAY/PAUSE Button**
(Long Press for TWS)
9. **VOLUME Rotary**
10. **GUITAR Input**
11. **MICROPHONE Input**
12. **AUX Input**
13. **TF CARD Input**
14. **USB Input**
15. **Power Port**
(AC 100-240V)

WIRELESS REMOTE CONTROL

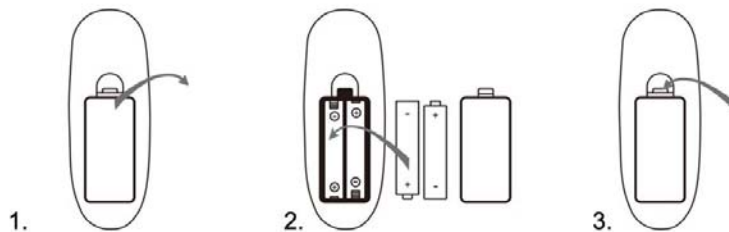
The included Wireless Remote allows for further control of the speaker's functions.

1. POWER Button (Stand-by)
2. MUTE Button
3. REC Button (Press to start / stop recording)
4. Mode function (select between AUX/USB/SD/ BLUETOOTH)
5. VOLUME +
6. NEXT SONG/CH+
7. PREVIOUS SONG/CH- 8. PLAY/PAUSE (TWS)
9. REPEAT MODE (Single Repeat/ Repeat All)
10. EQ PRESETS (Pop/Rock/Jazz/Classic/Flat)
11. VOLUME -
12. NUMERIC Buttons (Manually input FM Radio frequencies)
Example for FM 102.9 press 1-0-2-9



Installing the Batteries

Remove the battery cover from the Remote Control and put 2xAAA size batteries inside the compartment. The diagram inside the Battery compartment shows the correct way to install the batteries.



SPECIFICATIONS

<i>PRODUCT SKU:</i>	iHPS-650LT
<i>BLUETOOTH PROTOCOL:</i>	Bluetooth 5.0
<i>AUDIO INPUTS:</i>	1/4" Microphone Input 1/8" Aux Input
<i>MEDIA PLAYER:</i>	USB / microSD / FM Radio
<i>POWER OUTPUT:</i>	400W Peak Power
<i>EFFECTS:</i>	Adjustable Echo Effect EQ Presets
<i>WOOFER:</i>	Dual 6.5" Woofers
<i>TWEETER:</i>	2.5" Tweeter
<i>PACK DIMENSIONS:</i>	333 x 307 x 671 mm 13.12 x 12.09 x 26.42 in
<i>PACK WEIGHT:</i>	8.3 kg 18.14 lb
<i>BATTERY SPECS:</i>	DC 7.4V 5000mah Lithium Rechargeable Battery
<i>CHARGE TIME:</i>	~4 Hours
<i>PLAY TIME:</i>	~3 Hours

Responsible Party Name:

Innovative Concepts & Design LLC

Company address:

458 Florida Grove Road
Perth Amboy, NJ, 08861 USA

FCC Compliance Statement

This device complies with Part 15 of the FCC Rules. The operation is subject to the following two conditions:

1. This device may not cause harmful interference, and
2. This device must accept any interference received, including interference that may cause undesired operation.

Note: This equipment has been tested and found to comply with the limits for a class B digital device, pursuant to Part 15 of the FCC Rules. This equipment generates, uses, and can radiate radio frequency energy and if not installed and used in accordance with the instructions, may cause harmful interference to radio communications. However, there is no guarantee that interference will not occur in a particular installation. If this equipment does cause interference to radio or television reception, which can be determined by turning the equipment off and then on, the user is encouraged to try to correct the interference by one or more of the following measures:

- Reorient or relocate the receiving antenna.
- Increase the separation between the equipment and receiver.
- Connect the equipment to a different outlet so that the equipment and receiver are on different branch circuits.
- Consult the dealer or an experienced radio/TV technician for help.

FCC ID: 2AE6G-IHPS650

LEGALITY & SAFETY

The device is not intended for use by people (including children) with reduced physical, sensory, or mental capacity. People who have not read the manual, unless they have received an explanation by someone responsible for their safety, should not use this unit. Children should be monitored to ensure that they do not play with the device. The device should always be readily accessible. The device should not be exposed to water. No objects filled with liquids, such as vases, shall be placed on the device. Always leave a minimum distance of 10 cm around the unit to ensure sufficient ventilation. Open flame sources, such as candles, should not be placed on top of the device. The device is intended for use only in a temperate climate. At full volume, prolonged listening may damage your hearing and cause temporary or permanent deafness, hearing drone, tinnitus, or hyperacusis. Listening at high volume is not recommended. One hour per day is not recommended either. Danger of explosion if battery is incorrectly replaced or not replaced by the same type or equivalent. The battery should not be exposed to excessive heat such as sunshine or fire. Different types of batteries, or new and used batteries, should not be mixed. The battery must be installed according to its polarity. If the battery is worn, it must be removed from the product. The battery must be disposed of safely. Always use collection bins to protect the environment. The battery can only be replaced by the maker of this product, the sales department, or a qualified person. Switch the device off where the use of the device is not allowed or where there is a risk of causing interference or danger - for examples: on an aircraft, or near medical equipment, fuel, chemicals or blasting sites. Check the current laws and regulations regarding the use of this device in the areas where you drive. Do not handle the device when driving. Concentrate fully on driving. All wireless devices are susceptible to interference which may affect their performance. All our devices conform to international/national standards and regulations, and we aim to limit user exposure to electromagnetic fields. These standards and regulations were adopted after the completion of extensive scientific research. This research established no link between the use of the mobile headset and any adverse effects on health if the device is used in accordance with standard practices. Only qualified people are authorized to install or repair this product. Only use batteries, chargers and other accessories which are compatible with this equipment. Do not connect incompatible products. This equipment is not waterproof. Keep it dry. Keep your device in a safe place, out of the reach of young children. The device contains small parts which may present a choking hazard to kids.

WARRANTY AND REPAIR:

All Innovative Concepts & Design LLC products are designed and manufactured to the highest standards in the industry. With proper care and maintenance, your product will provide years of reliable service.

LIMITED WARRANTY

- A. Innovative Concepts & Design LLC guarantees its products to be free from defects in materials and workmanship for one (1) year from the original purchase date. Exceptions: Laser assemblies on CD Players, cartridges, and crossfaders are covered for 90 days.
- B. This limited warranty does not cover damage or failure caused by abuse, misuse, abnormal use, faulty installation, improper maintenance, or any repairs other than those provided by an authorized Innovative Concepts & Design LLC Service Center.
- C. There are no obligations of liability on the part of Innovative Concepts & Design LLC for consequential damages arising out of or in connection with the use or performance of the product or other indirect damages with respect to loss of property, revenues, of profit, or costs of removal, installation, or reinstallation. All implied warranties for Innovative Concepts & Design LLC, including implied warranties for fitness, are limited in duration to one (1) year from the original date of purchase, unless otherwise mandated by local statutes.

RETURN/REPAIR

- A. In the U.S.A., please call our helpful Customer Service Representatives at (732) 3460061, and they will be happy to give you a Return Authorization Number (RA#) and the address of an authorized service center closest to you.
- B. After receiving an RA#, include a copy of the original sales receipt, with defective product and a description of the defect. Send by insured freight to: Innovative Concepts & Design LLC and use the address provided by your customer service representative. Your RA# must be written on the outside of the package, or processing will be delayed indefinitely!
- C. Service covered under warranty will be paid for by Innovative Concepts & Design LLC and returned to you. For non-warranted products, Innovative Concepts & Design LLC will repair your unit after payment is received. Repair charges do not include return freight. Freight charges will be added to the repair charges.
- D. On warranty service, you pay for shipping to Innovative Concepts & Design LLC, we pay for return shipping within the continental United States. Alaska, Hawaii, Puerto Rico, Canada, Bahamas, and the Virgin Islands will be charged for freight.
- E. Please allow 2-3 weeks for return of your product. Under normal circumstances your product will spend no more than 10 working days at Innovative Concepts & Design LLC. We are not responsible for shipping times.

FUNCIONES

El iHPS-650LT es un sistema de altavoces Bluetooth® con woofers duales de 6.5", un tweeter de 2.5" e iluminación de fiesta LED sincronizada con ritmo multimodo. Ofrece una potencia máxima de 400 vatios para un sonido enorme con ajustes preestablecidos de ecualización especialmente ajustados para una variedad de géneros musicales, así como controles manuales de ecualización de graves y agudos. Disfrute de muchas horas de uso con una batería de litio recargable incorporada de larga duración. El reproductor multimedia integrado permite bluetooth®, radio FM y reproducción USB / microSD, además de una entrada AUX de 1/8 "para dispositivos externos. El iHPS-650LT también incluye entradas de micrófono y guitarra con controles de ecualización y efecto de eco, ¡micrófono con cable incluido! Los botones giratorios de volumen y control de medios en la parte superior de la unidad y el control remoto incluido ponen el control al alcance de su mano. Se conecta a un altavoz de la serie iHPS-650LT 2º a través de una conexión TWS para un par estéreo inalámbrico verdadero. Construcción ligera pero resistente con asa ergonómica para una fácil portabilidad. ¡El iHPS-650LT es perfecto para cualquier ocasión!

EL MEJOR ALTAVOZ DE FIESTA

Donde que te lleve la fiesta, el iHPS-650LT proporcionará horas y horas de entretenimiento, empaquetando un enorme sonido inconfundible en un altavoz ultraportátil.

ILUMINACIÓN LED FX

Deslumbra a los asistentes a la fiesta con 6 modos diferentes de efectos de iluminación RGB multicolor que cubren todo el panel frontal del altavoz.

GAMA COMPLETA DE SONIDO

Los woofers duales de 6.5" más un tweeter de alta frecuencia de 2.5" producen graves de gama baja ultra suaves y agudos claros de gama alta. Incluye 5 presets de ecualización para diferentes estilos de música.

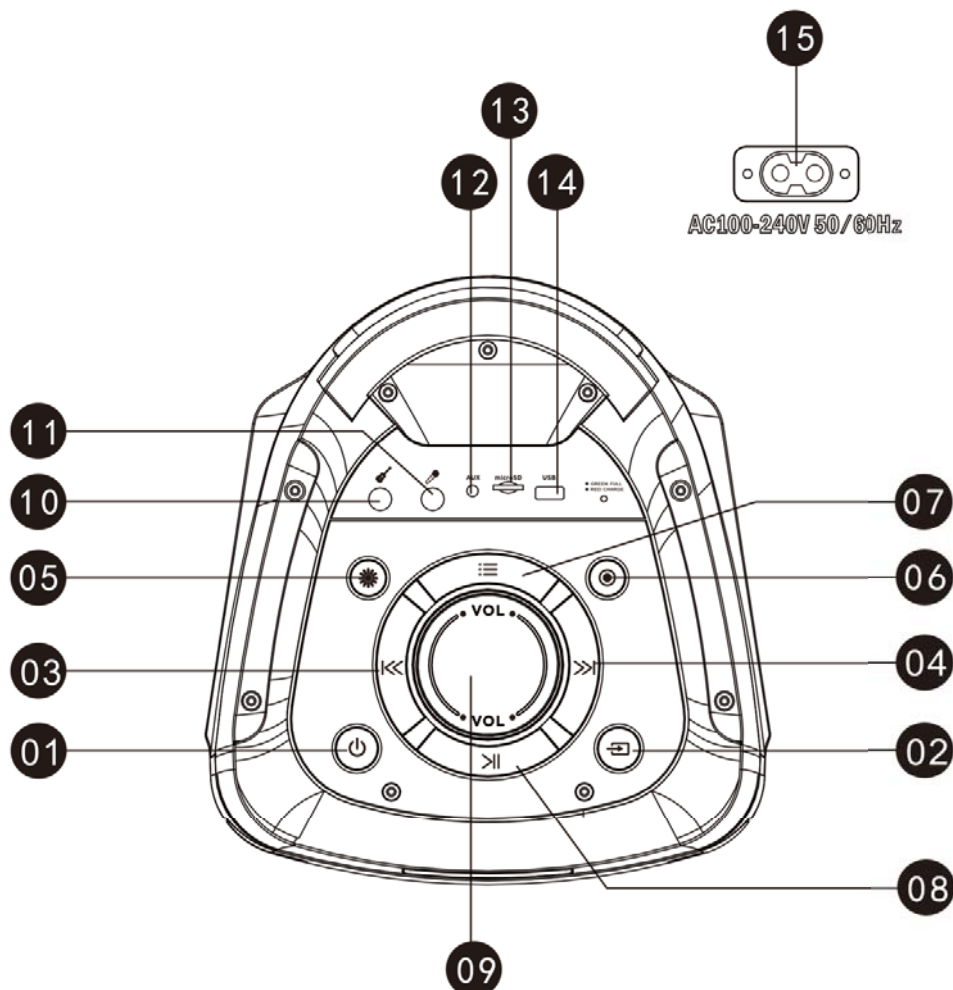
OPCIONES DE AUDIO VARIADAS

Entradas dedicadas para guitarra y el micrófono incluido con efecto Echo, además de entrada AUX, reproducción USB/SD, Radio FM y conectividad Bluetooth™. Sea cual sea su fuente de sonido, el iHPS-650LT tendrá las conexiones que necesita.

PORTABILIDAD TOTAL

Con más de 5 horas de duración de la batería y un control remoto incluido, puede llevar el iHPS-650LT a cualquier lugar donde se necesite sonido e iluminación de alta calidad, su imaginación es su única limitación.

DESCRIPCIÓN GENERAL



16. POWER (En espera)

17. Botón MODE

18. PREV Button (Canción anterior)

19. Next Button (Siguiete canción)

20. Botón LED (interruptor de luz)

21. Botón GRABAR

22. Botón MENU

(Agudos / Bajo / Micrófono Vol / Micrófono Echo / Guitar Vol)

23. Botón PLAY/PAUSE

(Mantenga presionado para TWS)

24. VOLUMEN Rotativo

25. Entrada GUITAR

26. Entrada de micrófono

27. Entrada AUX

28. Entrada TF CARD

29. Entrada USB

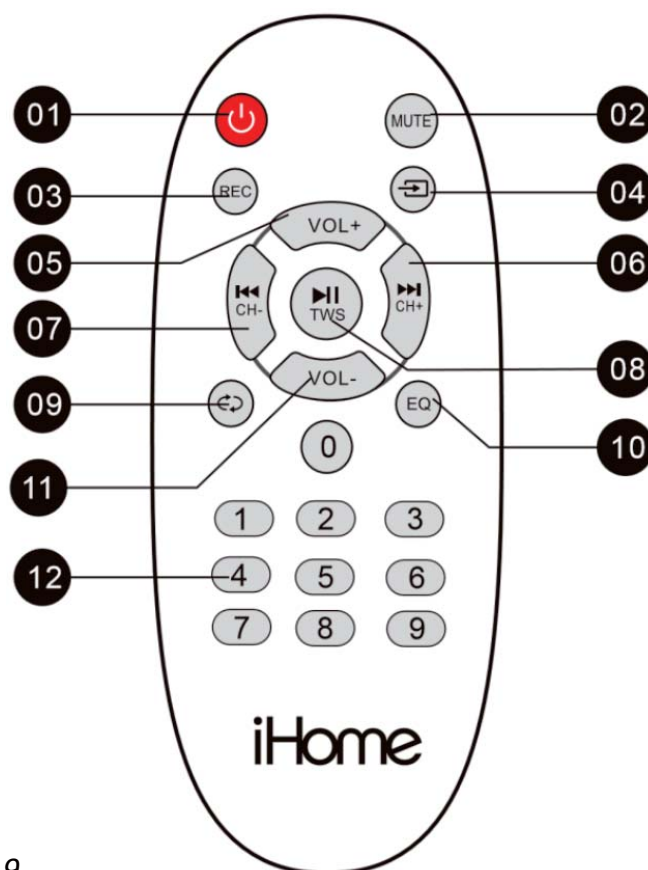
30. Puerto de alimentación
(CA 100-240V)

CONTROL REMOTO INALÁMBRICO

El control remoto inalámbrico incluido permite un mayor control de las funciones del altavoz.

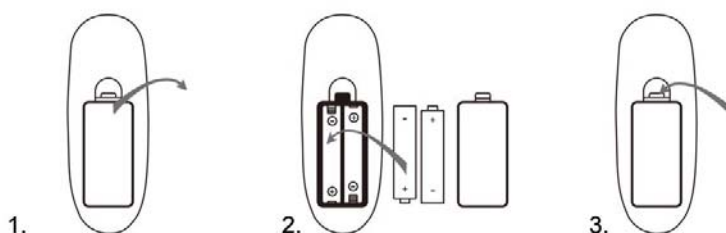
- 13. Botón POWER (en espera)
- 14. MUTE Button
- 15. REC Button (Pulse para iniciar / detener la grabación)
- 16. Función de modo (seleccione entre AUX / USB / SD / BLUETOOTH)
- 17. VOLUMEN +
- 18. SIGUIENTE CANCIÓN/CH+
- 19. CANCIÓN ANTERIOR/CH- 20. REPRODUCCIÓN/PAUSA (TWS)
- 21. MODO DE REPETICIÓN (repetición única / repetición total)
- 22. EQ PRESETS (Pop/Rock/Jazz/Clásico/Flat)
- 23. VOLUMEN -
- 24. Buttons NUMÉRICOS (Frecuencias de radio FM de entrada manual)

Ejemplo para FM 102.9 presione 1-0-2-9



Instalación de las baterías

Retire la tapa de la batería del control remoto y coloque baterías de tamaño 2xAAA dentro del compartimento. El diagrama dentro del compartimento de la batería muestra la forma correcta de instalar las baterías.



CARACTERÍSTICAS TÉCNICAS

<i>REFERENCIA DEL PRODUCTO:</i>	iHPS-650LT
<i>PROTOCOLO BLUETOOTH:</i>	Bluetooth 5.0
<i>AUDIO ENTRADAS:</i>	Entrada de micrófono de 1/4" Entrada auxiliar de 1/8"
<i>REPRODUCTOR MULTIMEDIA:</i>	USB / microSD / FM Radio
<i>POTENCIA DE SALIDA:</i>	Potencia máxima de 400 w
<i>EFFECTOS:</i>	Efecto de eco ajustableAjustes preestablecidos de ecualización
<i>WOOFER:</i>	Woofers duales de 6,5"
<i>TWEETER:</i>	Tweeter de 2.5"
<i>EMPAQUETAR DIMENSIONES:</i>	333 x 307 x 671 mm 13,12 x 12,09 x 26,42pulgadas
<i>EMPAQUETAR PESO:</i>	8,3 kg 18,14 libras
<i>BATERÍA ESPECIFICACIONES:</i>	DC 7.4V 5000mah batería recargable de litio
<i>TIEMPO DE CARGA:</i>	~4 horas
<i>TIEMPO DE JUEGO:</i>	~3 horas

FONCTIONNALITÉS

L'iHPS-650LT est un système de haut-parleurs Bluetooth® avec deux woofers de 6,5 pouces, un tweeter de 2,5 pouces et un éclairage de fête LED multimode synchronisé avec les battements. Offrant une puissance de crête de 400 watts pour un son énorme avec des prééglages d'égalisation spécialement réglés pour une variété de genres musicaux ainsi que des commandes manuelles d'égalisation des basses et des aigus. Profitez de nombreuses heures d'utilisation avec une batterie au lithium rechargeable intégrée à longue durée de vie. Le lecteur multimédia intégré permet la lecture Bluetooth®, radio FM et USB / microSD ainsi qu'une entrée AUX 1/8 « pour les périphériques externes. L'iHPS-650LT comprend également des entrées microphone et guitare avec commandes d'égalisation et effet d'écho, microphone filaire inclus! Les boutons rotatifs et de contrôle du volume sur le dessus de l'appareil et la télécommande incluse mettent la commande à portée de main. Liens vers un haut-parleur de la série iHPS-650LT 2nd via une connexion TWS pour une paire True Wireless Stereo. Construction légère mais robuste avec poignée ergonomique pour une portabilité facile. L'iHPS-650LT est un haut-parleur de fête parfait pour toutes les occasions!

L'ENCEINTE DE FÊTE ULTIME

Où que la fête vous emmène, l'iHPS-650LT fournira des heures et des heures de divertissement, en emballant un son énorme et incomparable dans un haut-parleur ultraportable.

ÉCLAIRAGE LED FX

Éblouissez les fêtards avec 6 modes différents d'effets d'éclairage RVB multicolores couvrant tout le panneau avant de l'enceinte.

GAMME COMPLÈTE DE SONS

Deux woofers de 6,5 pouces et un tweeter haute fréquence de 2,5 pouces produisent des basses bas de gamme ultra-lisses et des aigus haut de gamme clairs. Comprend 5 prééglages d'égalisation pour différents styles de musique.

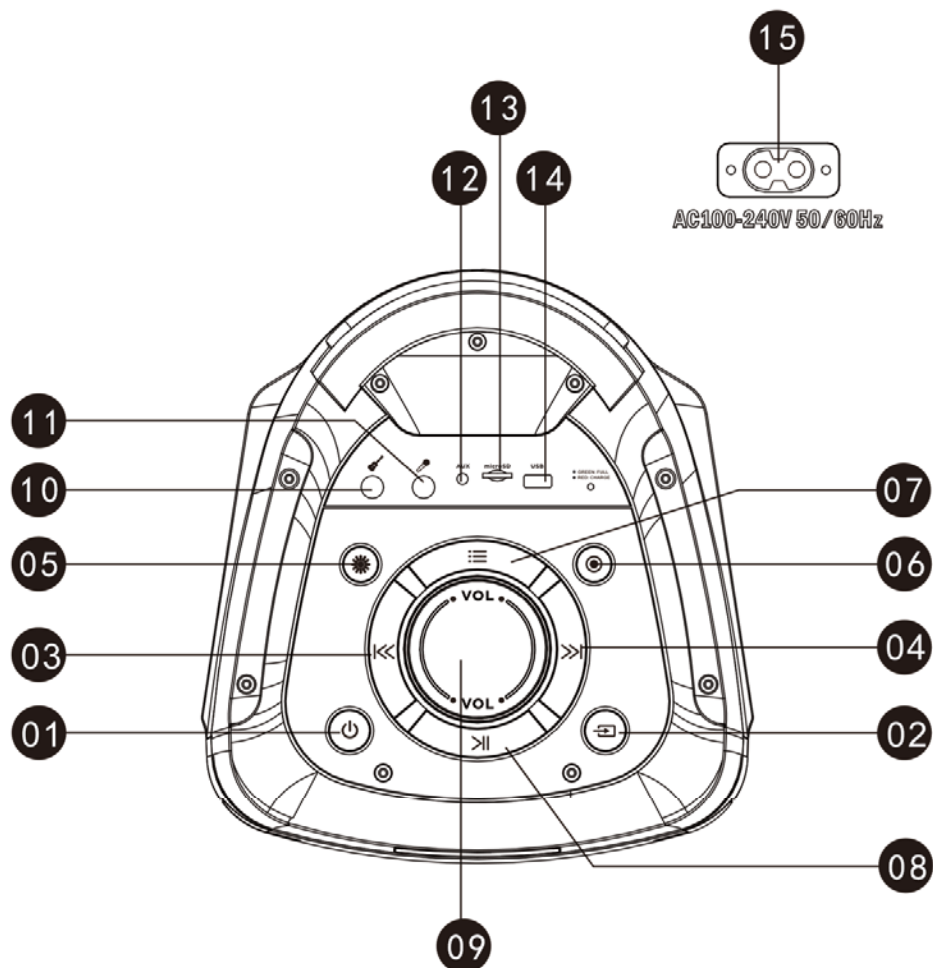
OPTIONS AUDIO ASSORTIES

Entrées dédiées pour guitare et le microphone inclus avec effet Echo, en plus de l'entrée AUX, de la lecture USB / SD, de la radio FM et de la connectivité Bluetooth™. Quelle que soit votre source sonore, l'iHPS-650LT aura les connexions dont vous avez besoin.

PORTABILITÉ TOTALE

Avec plus de 5 heures d'autonomie et une télécommande incluse, vous pouvez emporter l'iHPS-650LT partout où un son et un éclairage de haute qualité sont nécessaires, votre imagination est votre seule limite.

VUE D'ENSEMBLE DU PRODUIT



31. PUISSANCE (Veille)

32. Bouton MODE

33. PREV Button (Chanson précédente)

34. Bouton SUIVANT (chanson suivante)

35. Bouton LED (interrupteur d'éclairage)

36. Bouton ENREGISTRER

37. Bouton MENU

(Aigus / Basse / Microphone Vol / Microphone Echo /

Guitare Vol)

38. Bouton PLAY/PAUSE

(Appuyez longuement sur TWS)

39. VOLUME Rotatif

40. Entrée GUITAR

41. Entrée MICROPHONE

42. Entrée AUX

43. Entrée TF CARD

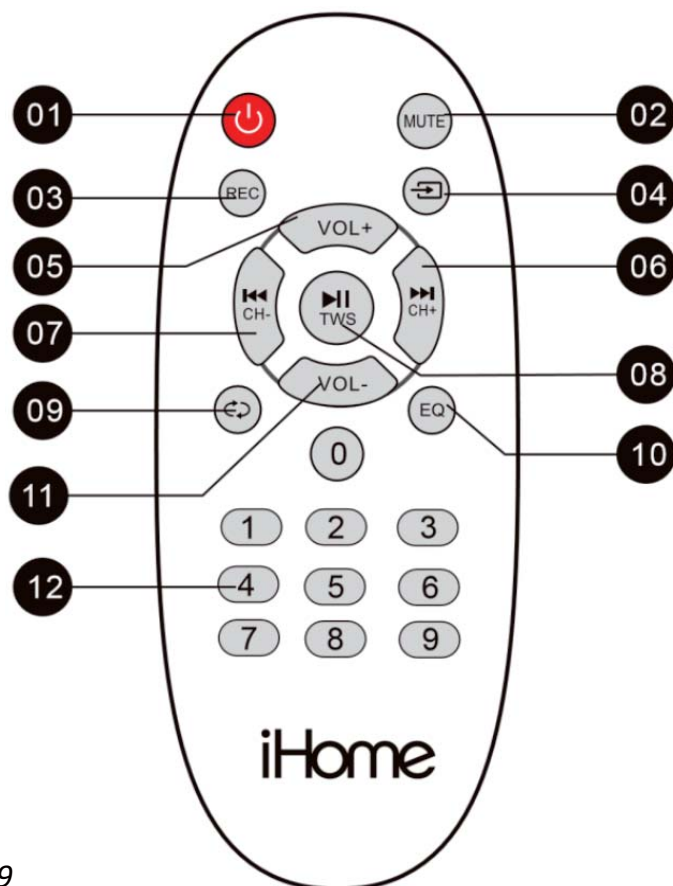
44. Entrée USB

45. Port d'alimentation
(AC 100-240V)

TÉLÉCOMMANDE SANS FIL

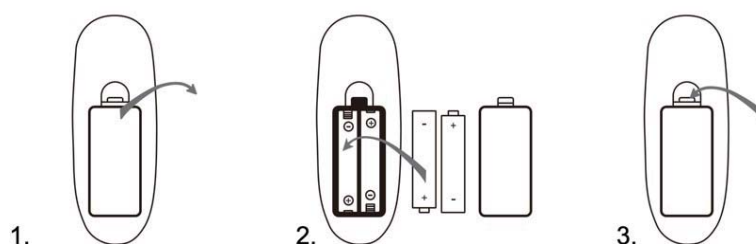
La télécommande sans fil incluse permet un contrôle supplémentaire des fonctions du haut-parleur.

- 25. Bouton POWER (veille)
- 26. MUTE Button
- 27. REC Button (Appuyez pour démarrer / arrêter l'enregistrement)
- 28. Fonction mode (sélectionnez entre AUX/USB/SD/BLUETOOTH)
- 29. VOLUME +
- 30. CHANSON SUIVANTE/CH+
- 31. CHANSON PRÉCÉDENTE/CH- 32. LECTURE/PAUSE (TWS)
- 33. MODE DE RÉPÉTITION (Répétition unique / Répétition de tous)
- 34. PRÉRÉGLAGES EQ (Pop/Rock/Jazz/Classique/Plat)
- 35. VOLUME -
- 36. Buttons NUMÉRIQUES (Fréquences radio FM d'entrée manully)
Exemple pour FM 102.9 presse 1-0-2-9



Installation des piles

Retirez le couvercle de la batterie de la télécommande et placez des piles de taille 2xAAA à l'intérieur du compartiment. Le schéma à l'intérieur du compartiment à piles montre la bonne façon d'installer les piles.



SPÉCIFICATIONS

<i>RÉFÉRENCE DU PRODUIT:</i>	iHPS-650LT
<i>PROTOCOLE BLUETOOTH :</i>	Bluetooth 5.0
<i>AUDIO ENTRÉES:</i>	Entrée microphone 1/4 » Entrée auxiliaire 1/8 »
<i>LECTEUR MULTIMÉDIA:</i>	USB / microSD / FM Radio
<i>PUISSANCE DE SORTIE:</i>	Puissance de crête de 400 W
<i>EFFETS:</i>	Effet d'écho réglable Réglages EQ
<i>WOOFER:</i>	Deux woofers de 6,5 »
<i>TWEETER:</i>	Tweeter 2,5 »
<i>EMBALLER TAILLE:</i>	333 x 307 x 671mm 13,12 x 12,09 x 26,42 pouces
<i>EMBALLER POIDS:</i>	8,3 kg 18,14lb
<i>PILE SPÉCIFICATIONS:</i>	DC 7.4V 5000mah Batterie rechargeable a lithium
<i>TEMPS DE CHARGE:</i>	~4 heures
<i>TEMPS DE JEU:</i>	~3 heures

FUNKTIONEN

Das iHPS-650LT ist ein Bluetooth-Lautsprechersystem® mit zwei 6,5-Zoll-Tieftönern, einem 2,5-Zoll-Hochtöner und einer Beat-synchronisierten Multimode-LED-Partybeleuchtung. 400 Watt Spitzenleistung für riesigen Sound mit EQ-Presets, die speziell für eine Vielzahl von Musikgenres abgestimmt sind, sowie manuellen Bass- und Treble-EQ-Reglern. Genießen Sie viele Betriebsstunden mit einem eingebauten, langlebigen, wiederaufladbaren Lithium-Akku. Der integrierte Media Player ermöglicht Bluetooth®, FM-Radio- und USB/microSDWiedergabe sowie einen 1/8-Zoll-AUX-Eingang für externe Geräte. Der iHPS-650LT enthält auch Mikrofon- und Gitarreneingänge mit Entzerrungssteuerung und Echoeffekt, kabelgebundenes Mikrofon im Lieferumfang enthalten! Lautstärkereglern und Mediensteuerungstasten auf der Oberseite des Geräts und mitgelieferte Fernbedienung bringen die Steuerung an Ihre Fingerspitzen. Verbindet sich mit einem Lautsprecher der 2. iHPS-650LT-Serie über TWS-Verbindung für ein True Wireless Stereo-Paar. Leichte und dennoch robuste Konstruktion mit ergonomischem Griff für einfache Portabilität. Der iHPS650LT ist der perfekte Partylautsprecher für jeden Anlass!

DER ULTIMATIVE PARTY-LAUTSPRECHER

Wo auch immer die Party Sie hinführt, der iHPS-650LT sorgt für stundenlange Unterhaltung und packt riesigen unverwechselbaren Sound in einen ultraportablen Lautsprecher.

LED-BELEUCHTUNG FX

Blenden Sie Partygänger mit 6 verschiedenen Modi von mehrfarbigen RGBLichteffekten, die die gesamte Frontplatte des Lautsprechers abdecken.

VOLLE KLANGPALETTE

Zwei 6,5-Zoll-Tieftöner sowie ein 2,5-Zoll-Hochfrequenz-Hochtöner erzeugen ultraglatte Low-End-Bässe und klare High-End-Höhen. Enthält 5 EQ-Presets für verschiedene Musikstile.

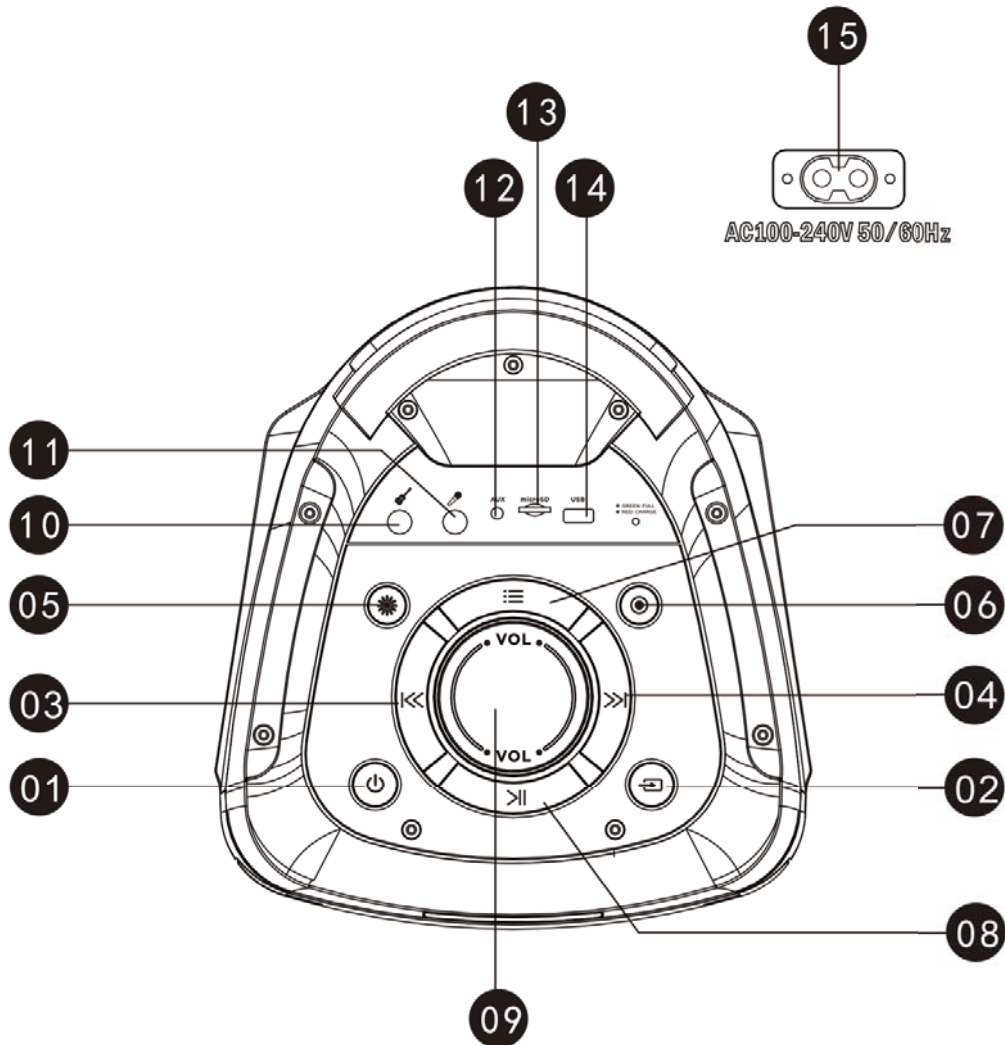
VERSCHIEDENE AUDIOOPTIONEN

Dedizierte Eingänge für Gitarre und das mitgelieferte Mikrofon mit Echo-Effekt, zusätzlich zu AUX-Eingang, USB / SD-Wiedergabe, UKW-Radio und Bluetooth-Konnektivität™. Unabhängig von Ihrer Klangquelle verfügt der iHPS-650LT über die Anschlüsse, die Sie benötigen.

VOLLSTÄNDIGE PORTABILITÄT

Mit 5+ Stunden Akkulaufzeit und einer mitgelieferten Fernbedienung können Sie den iHPS-650LT überall dort mitnehmen, wo hochwertiger Sound und Beleuchtung benötigt werden, Ihre Vorstellungskraft ist Ihre einzige Einschränkung.

PRODUKTÜBERSICHT



46. POWER (Standby)

47. Schaltfläche "MODE"

48. PREV Button (vorheriger Song)

49. NEXT Button (Nächster Song)

50. LED-Taste (Lichtschalter)

51. Schaltfläche "AUFNEHMEN"

52. MENU-Taste (Höhen / Bass /
Mikrofon Vol /
Mikrofon Echo / Gitarre Vol)

53. PLAY/PAUSE-Taste

(langes Drücken für TWS)

54. VOLUME Drehung

55. GUITAR Eingang

56. MIKROFON-Eingang

57. AUX-Eingang

58. TF-KARTENEINGANG

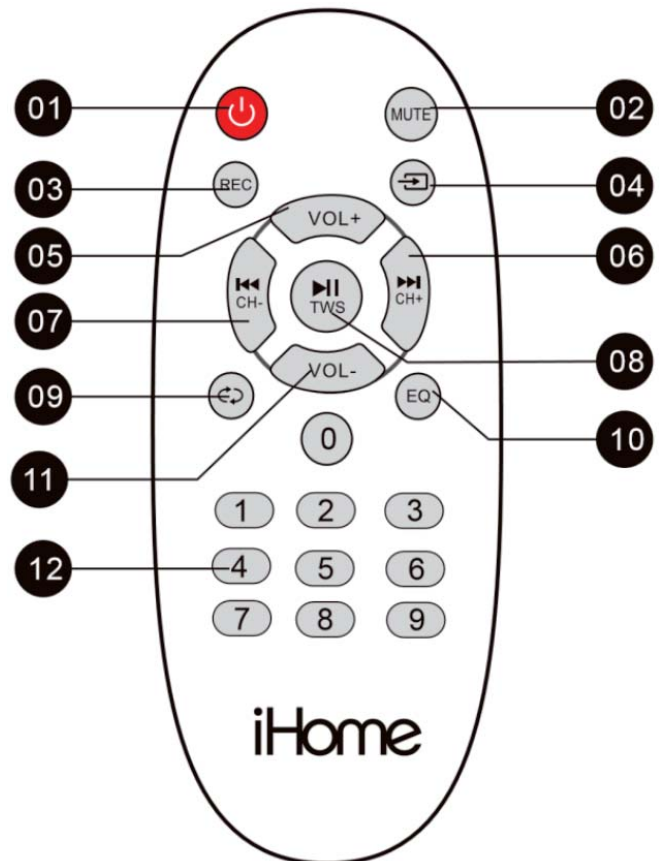
59. USB-Eingang

60. Stromanschluss
(AC 100-240V)

DRAHTLOSE FERNBEDIENUNG

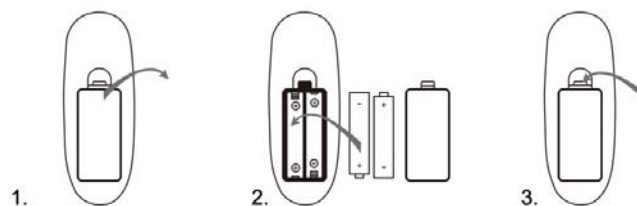
Die mitgelieferte Funkfernbedienung ermöglicht eine weitere Steuerung der Lautsprecherfunktionen.

- 37.** POWER-Taste (Standby)
- 38.** MUTE Button
- 39.** REC Button (Drücken Sie, um die Aufnahme zu starten / zu stoppen)
- 40.** Modus-Funktion (wählen Sie zwischen AUX / USB / SD / BLUETOOTH)
- 41.** LAUTSTÄRKE +
- 42.** NÄCHSTER SONG/CH+
- 43.** VORHERIGES LIED/CH- **44.** WIEDERGABE/PAUSE (TWS)
- 45.** REPEAT-MODUS (Single Repeat/Repeat All)
- 46.** EQ PRESETS (Pop/Rock/Jazz/Classic/Flat)
- 47.** VOLUMEN -
- 48.** NUMERISCHE Buttons (Minimale Eingangsfrequenzen für UKW-Radio)
Beispiel für FM 102.9 Presse 1-0-2-9



Einlegen der Batterien

Entfernen Sie die Batterieabdeckung von der Fernbedienung und legen Sie 2xAAA-Batterien in das Fach. Das Diagramm im Batteriefach zeigt die korrekte Installation der Batterien.



LEISTUNGSBESCHREIBUNG

<i>PRODUKT-SKU:</i>	iHPS-650LT
<i>BLUETOOTH-PROTOKOLL:</i>	Bluetooth 5,0
<i>AUDIO EINGÄNGE:</i>	1/4" Mikrofoneingang 1/8" Aux-Eingang
<i>MEDIAPLAYER:</i>	USB / microSD / UKW-Radio
<i>AUSGANGSLEISTUNG:</i>	400W Spitzenleistung
<i>EFFEKTE:</i>	Einstellbare Echo-EffektEQ-Voreinstellungen
<i>WOOFER:</i>	Zwei 6,5-Zoll-Tieftöner
<i>HOCHTÖNER:</i>	2,5" Hochtöner
<i>PACKEN DIMENSIONEN:</i>	333 x 307 x 671mm 13,12 x 12,09 x 26,42 Zoll
<i>PACKEN GEWICHT:</i>	8,3kg 18,14 lb
<i>BATTERIE Technische Daten:</i>	DC 7.4V 5000mah Lithium-Akku
<i>LADEZEIT:</i>	~4 Stunden
<i>SPIELZEIT:</i>	~3 Stunden

TRATTI SOMATICI

L'iHPS-650LT è un sistema di altoparlanti Bluetooth® con doppio woofer da 6,5", un tweeter da 2,5" e illuminazione a LED multi-mode beat-synced party. Offre una potenza di picco di 400 Watt per un suono eccezionale con preset EQ appositamente sintonizzati per una varietà di generi musicali e controlli manuali Per bassi e Alti EQ. Goditi molte ore di utilizzo con una batteria al litio ricaricabile a lunga durata integrata. Il lettore multimediale integrato consente la riproduzione Bluetooth®, radio FM e USB/microSD, oltre a un ingresso AUX da 1/8" per dispositivi esterni. L'iHPS-650LT include anche ingressi microfono e chitarra con controlli di equalizzazione ed effetto eco, microfono cablatto incluso! I pulsanti rotanti del volume e di controllo multimediale sulla parte superiore dell'unità e il telecomando incluso mettono il controllo a portata di mano. Collegamento a un 2° altoparlante della serie iHPS-650LT tramite connessione TWS per una coppia True Wireless Stereo. Corporatura leggera ma robusta con impugnatura ergonomica per una facile portabilità. L'iHPS-650LT è l'altoparlante perfetto per ogni occasione!

L'ULTIMO ALTOPARLANTE PER FESTE

Ovunque ti porti la festa, l'iHPS-650LT fornirà ore e ore di intrattenimento, racchiudendo un enorme suono inconfondibile in un altoparlante ultra-portatile.

ILLUMINAZIONE A LED FX

Abbaglia i festaioli con 6 diverse modalità di effetti di illuminazione RGB multicolore che coprono l'intero pannello frontale dell'altoparlante.

GAMMA COMPLETA DI SUONI

I doppi woofer da 6,5" più un tweeter ad alta frequenza da 2,5" producono bassi di fascia bassa ultra-lisci e alti chiari di fascia alta. Include 5 preset EQ per diversi stili musicali.

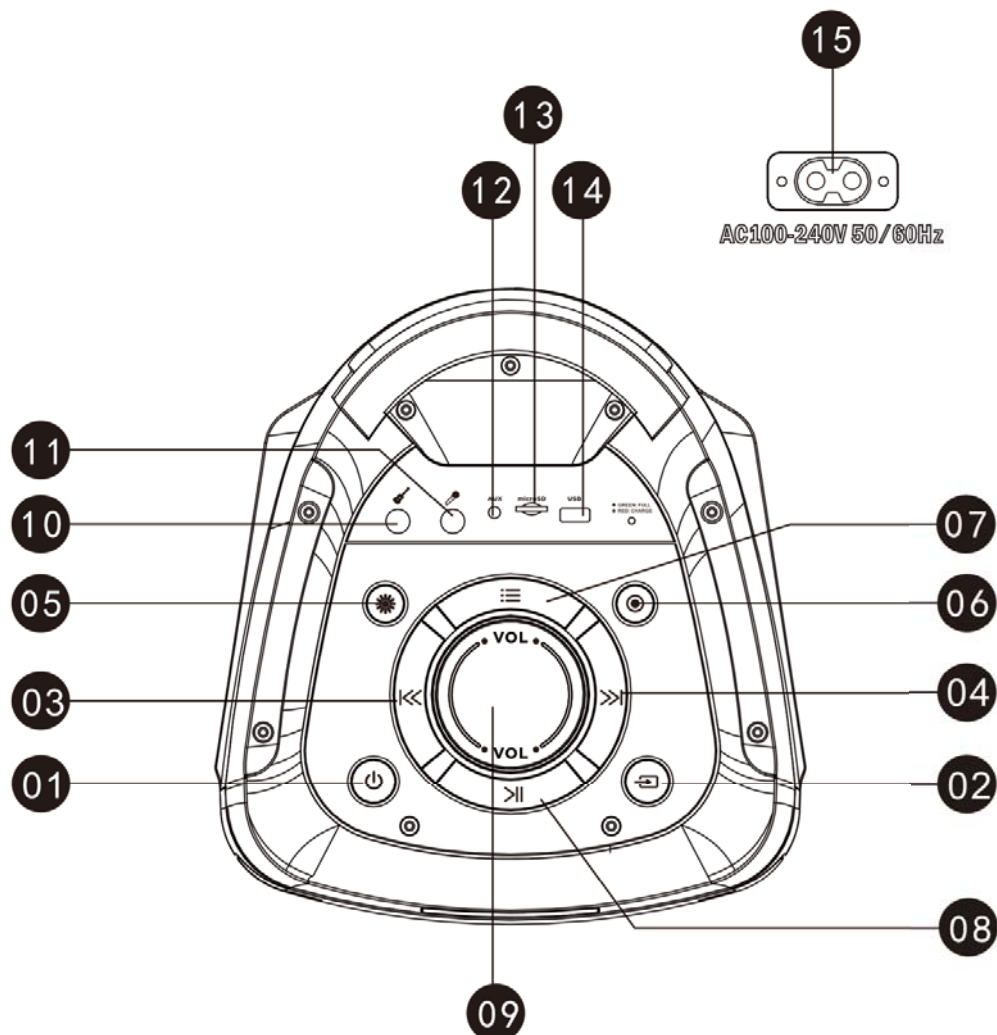
OPZIONI AUDIO ASSORTITE

Ingressi dedicati per chitarra e microfono incluso con effetto Echo, oltre all'ingresso AUX, riproduzione USB/SD, radio FM e connettività Bluetooth™. Qualunque sia la tua sorgente sonora, l'iHPS-650LT avrà le connessioni di cui hai bisogno.

PORTABILITÀ TOTALE

Con oltre 5 ore di durata della batteria e un telecomando incluso, puoi portare l'iHPS-650LT ovunque siano necessari suoni e luci di alta qualità, la tua immaginazione è il tuo unico limite.

PANORAMICA DEL PRODOTTO



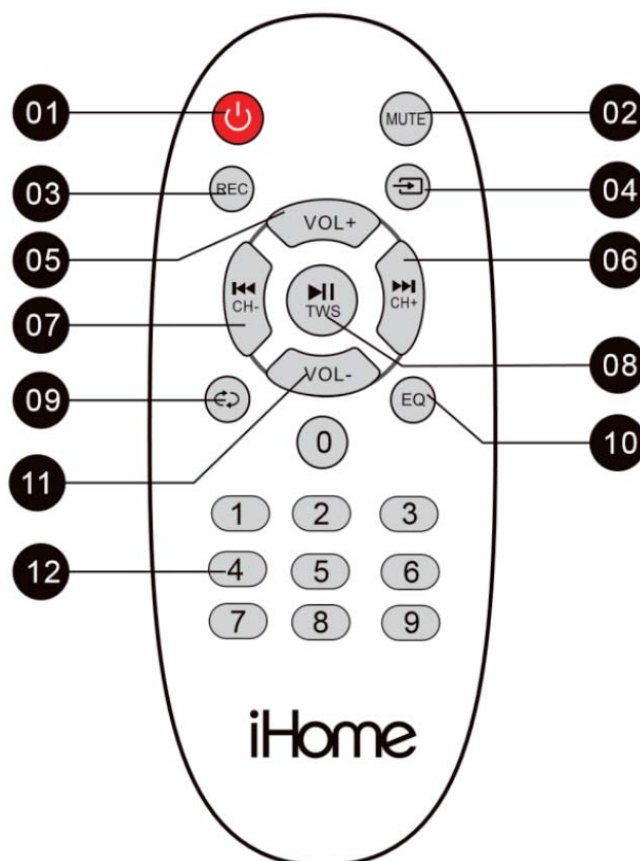
- 61. POTENZA** (Stand-by)
- 62. Tasto MODE**
- 63. Pulsante PREV** (Brano precedente)
- 64. Pulsante NEXT** (Canzone successiva)
- 65. Pulsante LED** (interruttore della luce)
- 66. Tasto RECORD**
- 67. Pulsante MENU**
(Alti / Basso / Microfono Vol /

- Microfono Echo / Guitar Vol)
- 68. Tasto PLAY/PAUSE**
(premere a lungo per TWS)
- 69. VOLUME Rotativo**
- 70. Ingresso CHITARRA**
- 71. Ingresso MICROFONO**
- 72. Ingresso AUX**
- 73. Ingresso TF CARD**
- 74. Ingresso USB**
- 75. Porta di alimentazione**
(AC 100-240V)

TELECOMANDO WIRELESS

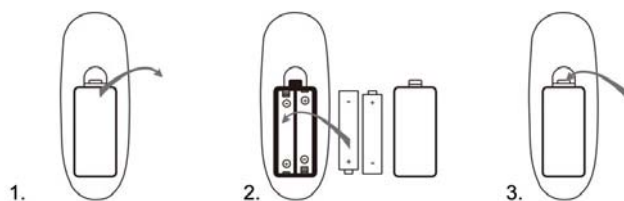
Il telecomando wireless incluso consente un ulteriore controllo delle funzioni dell'altoparlante.

- 49. Pulsante POWER (stand-by)
- 50. MUTE Button
- 51. REC Button (Premere per avviare / interrompere la registrazione)
- 52. Funzione di modalità (selezionare tra AUX / USB / SD / BLUETOOTH)
- 53. VOLUME +
- 54. CANZONE SUCCESSIVA/CH+
- 55. CANZONE PRECEDENTE/CH- 56. RIPRODUZIONE/PAUSA (TWS)
- 57. MODALITÀ RIPETI (Ripeti singola/ Ripeti tutto)
- 58. PRESET EQ (Pop/Rock/Jazz/Classic/Flat)
- 59. VOLUME -
- 60. Button numerici (Frequenze radio FM in ingresso continuo)
Esempio per FM 102.9 premere 1-0-2-9



Installazione delle batterie

Rimuovere il coperchio della batteria dal telecomando e inserire batterie di dimensioni 2xAAA all'interno dello scomparto. Lo schema all'interno del vano batteria mostra il modo corretto di installare le batterie.



INDICAZIONI

<i>SKU DEL PRODOTTO:</i>	iHPS-650LT
<i>PROTOCOLLO BLUETOOTH:</i>	Bluetooth 5,0
<i>AUDIO INGRESSI:</i>	Ingresso microfono da 1/4" Ingresso Aux da 1/8"
<i>LETTORE MULTIMEDIALE:</i>	USB / microSD / FM Radio
<i>POTENZA DI USCITA:</i>	Potenza di picco 400W
<i>EFFETTI:</i>	Preset Echo EffectEQ regolabili
<i>WOOFER:</i>	Doppio woofer da 6,5"
<i>TWEETER:</i>	Tweeter da 2,5"
<i>BRANCO DIMENSIONI:</i>	333 x 307 x 671 millimetri 13,12 x 12,09 x 26,42 pollici
<i>BRANCO PESO:</i>	8,3 kg 18,14 libbre
<i>BATTERIA SPECIFICHE:</i>	DC 7.4V 5000mah batteria ricaricabile al litio
<i>TEMPO DI RICARICA:</i>	~4 Ore
<i>TEMPO DI GIOCO:</i>	~3 Ore

FUNCTIES

De iHPS-650LT is een Bluetooth® Speaker System met dubbele 6,5" woofers, een 2,5" tweeter en multi-mode beat-synced LED party verlichting. Levert 400 Watt Peak Power voor een enorm geluid met EQ-presets die speciaal zijn afgestemd op een verscheidenheid aan muziekgenres, evenals handmatige Bass- en Treble EQ-bedieningselementen. Geniet van vele uren gebruik met een ingebouwde, oplaadbare lithiumbatterij met lange levensduur. De ingebouwde mediaspeler maakt bluetooth®, FM-radio en USB/microSD-weergave mogelijk, plus een 1/8" AUX-ingang voor externe apparaten. De iHPS-650LT bevat ook microfoon- en gitaaringangen met equalizerregelaars en echo-effect, bedrade microfoon inbegrepen! Volumeknoppen en mediabedieningsknoppen bovenop het apparaat en de meegeleverde afstandsbediening brengen de bediening binnen handbereik. Koppelingen naar een 2e luidspreker uit de iHPS-650LT-serie via TWS-verbinding voor een True Wireless Stereo-paar. Lichtgewicht en toch robuuste constructie met ergonomische handgreep voor eenvoudige draagbaarheid. De iHPS-650LT is de perfecte feestspeaker voor elke gelegenheid!

DE ULTIEME FEESTSPREKER

Waar het feest je ook brengt, de iHPS-650LT levert uren en uren entertainment, waarbij een enorm onmiskenbaar geluid wordt verpakt in een ultradraagbare luidspreker.

LED VERLICHTING FX

Verblind feestgangers met 6 verschillende modi van meerkleurige RGB-lichteffecten die het hele voorpaneel van de luidspreker bedekken.

VOLLEDIG GELUIDSBEREIK

Dubbele 6,5" woofers plus een 2,5" high frequency tweeter produceren ultravloeiende low-end bassen en heldere high-end hoge tonen. Inclusief 5 EQ Presets voor verschillende muziekstijlen.

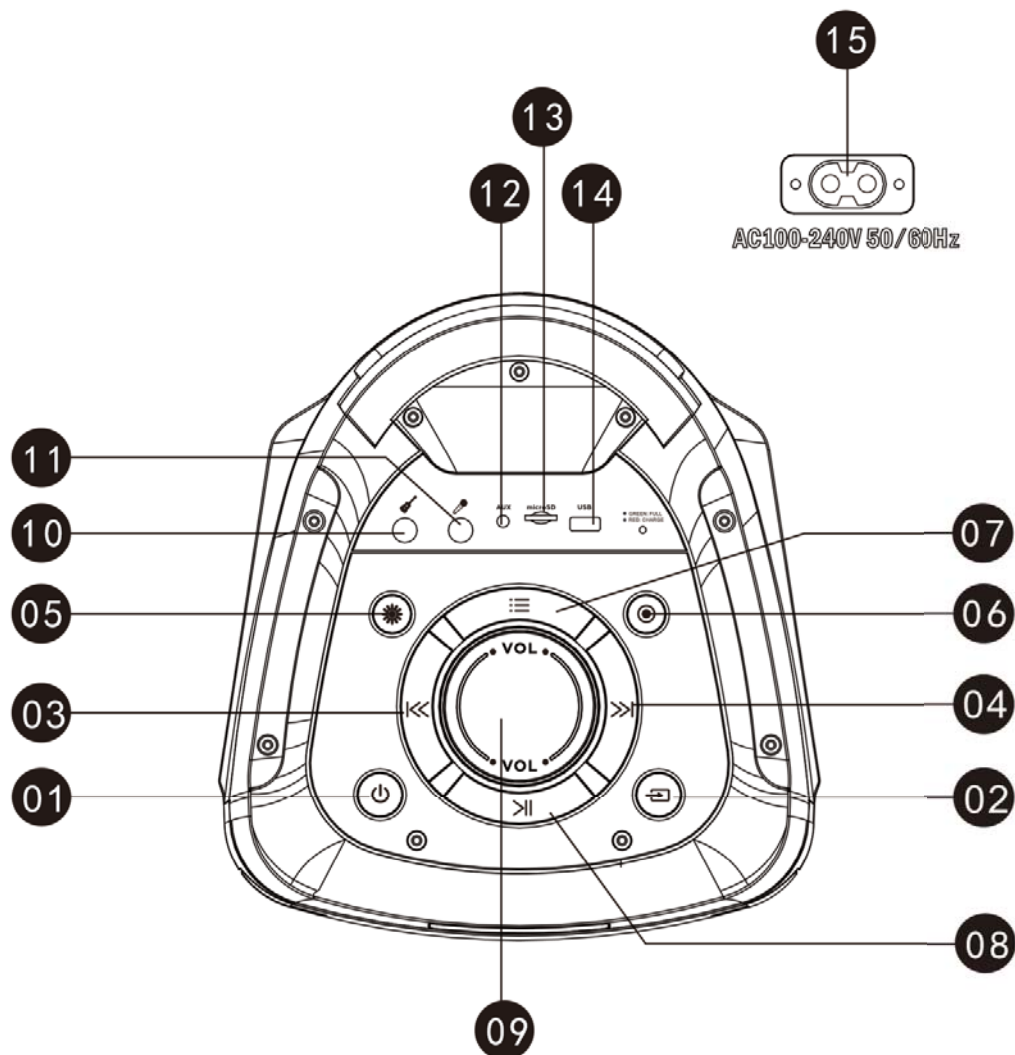
DIVERSE AUDIO-OPTIES

Speciale ingangen voor gitaar en de meegeleverde microfoon met Echo-effect, naast AUX-ingang, USB / SD-weergave, FM-radio en Bluetooth-connectiviteit™. Wat uw geluidsbron ook is, de iHPS-650LT heeft de aansluitingen die u nodig hebt.

TOTALE OVERDRAAGBAARHEID

Met een batterijduur van meer dan 5 uur en een meegeleverde afstandsbediening kunt u de iHPS-650LT overal mee naartoe nemen waar geluid en verlichting van hoge kwaliteit nodig zijn, uw verbeelding is uw enige beperking.

PRODUKTOVERZICHT



76. POWER (Stand-By)

77. MODE-knop

78. PREV Button (Vorig nummer)

79. NEXT Button (Volgende nummer)

80. LED-knop (lichtschakelaar)

81. RECORD-knop

82. MENU-knop (Treble / Bass / Microfoon Vol / Microfoon Echo / Guitar Vol)

83. PLAY/PAUSE-knop

(lang indrukken voor TWS)

84. VOLUME Roterend

85. GITAAR Ingang

86. MICROFOON INGANG

87. AUX-ingang

88. TF CARD-ingang

89. USB-ingang

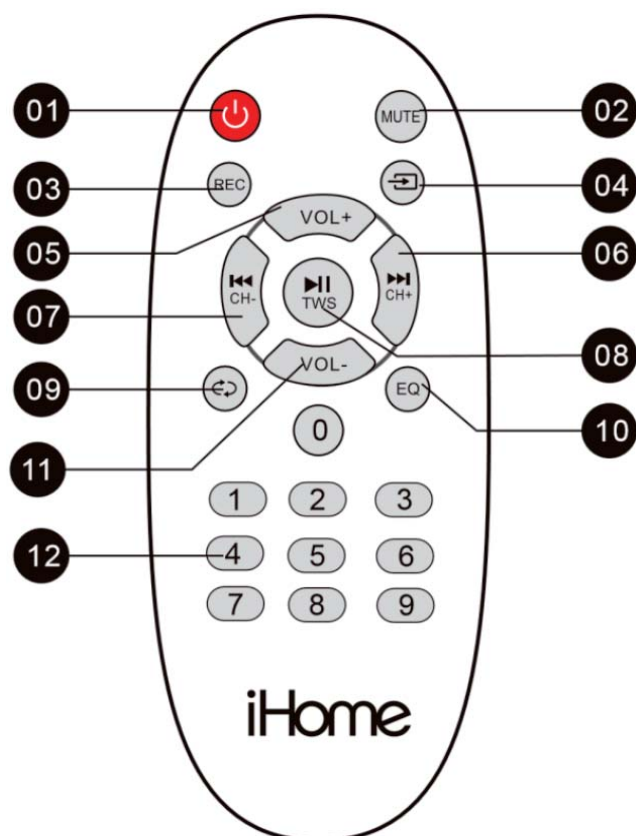
90. Power Poort

(AC 100-240V)

DRAADLOZE AFSTANDSBEDIENING

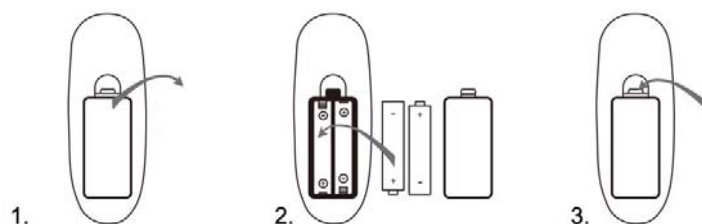
De meegeleverde draadloze afstandsbediening maakt verdere bediening van de functies van de luidspreker mogelijk.

- 61. POWER-knop (stand-by)
- 62. STOMME Button
- 63. REC Button (Druk om de opname te starten / stoppen)
- 64. Modusfunctie (kiezen tussen AUX/USB/SD/BLUETOOTH)
- 65. VOLUME +
- 66. VOLGENDE NUMMER/CH+
- 67. VORIGE SONG/CH- 68. AF SPELEN/PAUZEREN (TWS) 69. REPEAT MODE (Single Repeat/ Repeat All)
- 70. EQ PRESETS (Pop/Rock/Jazz/Klassiek/Flat)
- 71. VOLUME -
- 72. NUMERIEKE Buttons (Manually input FM radiofrequenties)
Voorbeeld voor FM 102.9 pers 1-0-2-9



De batterijen installeren

Verwijder het batterijklepje van de afstandsbediening en plaats batterijen van 2xAAA-formaat in het compartiment. Het diagram in het batterijcompartiment toont de juiste manier om de batterijen te installeren.



SPECIFICATIES

<i>PRODUCT-SKU:</i>	iHPS-650LT
<i>BLUETOOTH-PROTOCOL:</i>	Bluetooth 5,0
<i>AUDIO INGANGEN:</i>	1/4" microfooningang 1/8" Aux-ingang
<i>MEDIASPELER:</i>	USB / microSD / FM-radio
<i>UITGANGSVERMOGEN:</i>	400W piekvermogen
<i>EFFECTEN:</i>	Instelbare Echo EffectEQ Presets
<i>WOOFER:</i>	Dubbele 6,5" woofers
<i>TWEETER:</i>	2,5" tweeter
<i>INPAKKEN DIMENSIES:</i>	333 x 307 x 671 mm 13,12 x 12,09 x 26,42 inch
<i>INPAKKEN GEWICHT:</i>	8,3 kg 18,14 lb
<i>BATTERIJ SPECIFICATIES:</i>	DC 7.4V 5000mah lithium oplaadbar batterij
<i>OPLAADTIJD:</i>	~4 uur
<i>SPEELTIJD:</i>	~3 uur