



Model GSBB-500



User Manual - Portable Boombox with FM radio, Bluetooth, CD, cassette and USB Player

WARNING

TO PREVENT FIRE OR SHOCK HAZARD, DO NOT USE THIS PLUG WITH AN EXTENSION CORD, RECEPTACLE OR OTHER OUTLET UNLESS THE BLADES CAN BE FULLY INSERTED TO PREVENT BLADE EXPOSURE. TO PREVENT FIRE OR SHOCK HAZARD, DO NOT EXPOSE THIS APPLIANCE TO RAIN OR MOISTURE.

 <p>The lightning flash and arrow head within the triangle is a warning sign alerting you of "dangerous voltage" inside the product.</p>	<p>CAUTION RISK OF ELECTRIC SHOCK DO NOT OPEN</p> <p>CAUTION: TO REDUCE THE RISK OF ELECTRIC SHOCK DO NOT REMOVE COVER (ON BACK), NO USER SERVICEABLE PARTS INSIDE. REFER SERVICING TO QUALIFIED SERVICE PERSONNEL.</p>	 <p>The exclamation point within the triangle is a warning sign alerting you of important instructions accompanying the product.</p>
---	--	---

The Caution Marking is located at bottom enclosure of the apparatus

IMPORTANT SAFETY INSTRUCTIONS

1. Read these instructions.
2. Keep these instructions.
3. Heed all warnings.
4. Follow all instructions.
5. Do not use this apparatus near water.
6. Cleaning – Unplug this product from the wall outlet before cleaning. Do not use liquid cleaners or aerosol cleaners. Clean only with a dry cloth.
7. Do not block any ventilation openings. Install in accordance with the manufacturer's instructions.
8. Do not install near any heat sources such as radiators, heat registers, stoves, or other apparatus (including amplifiers) that produce heat.
9. Do not defeat the safety purpose of the polarized or grounding-type plug. A polarized plug has two blades with one wider than the other. A grounding type plug has two blades and a third grounding prong. The wider or the third prong is provided for your safety. If the provided plug does not fit into your outlet, consult an electrician for replacement of the obsolete outlet.
10. Protect the power cord from being walked on or pinched particularly at plugs, convenience receptacles, and the point where they exit from the apparatus.
11. Only use attachments/accessories specified by the manufacturer.
12. Use only with a cart, stand, tripod, bracket, or table specified by the manufacturer, or sold with the apparatus. When a cart is used, use caution when moving the cart/ apparatus combination to avoid injury from tip-over.
13. Unplug this apparatus during lightning storms or when unused for long periods of time.
14. Refer all servicing to qualified service personnel. Servicing is required when the apparatus has been damaged in any way, such as power-supply cord or plug is damaged, liquid has been spilled or objects have fallen into the apparatus, the apparatus has been exposed to rain or moisture, does not operate normally, or has been dropped.
15. This apparatus shall not be exposed to dripping or splashing water and that no object filled with liquids such as vases shall be placed on the apparatus.
16. Do not overload wall outlet. Use only power source as indicated.
17. Main plug is used as disconnect device and it should remain readily operable during intended use. In order to disconnect the apparatus completely, the main plug should be disconnected from the main socket outlet completely.
18. Battery shall not be exposed to excessive heat such as sunshine, fire or the like.
19. The marking information is located at the bottom of the apparatus.
20. The Caution Marking is located at the bottom of the apparatus.



21. **CAUTION**

Danger of explosion if battery is incorrectly replaced. Replace only with the same or equivalent type.

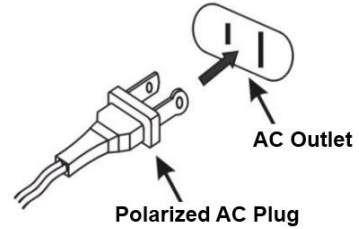


This symbol indicates that this product incorporates double insulation between hazardous mains voltage and user accessible parts.



CAUTION:

TO PREVENT ELECTRIC SHOCK, MATCH WIDE OF PLUG TO WIDE SLOT, FULLY INSERT THE TO MAIN POWER SOCKET.



**BLADE
PLUG**

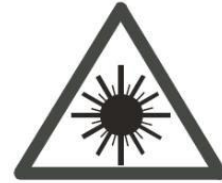
SAVE THESE INSTRUCTIONS

CAUTION

CLASS 1 LASER PRODUCT

CLASS 1 LASER PRODUCT
APPAREIL À LASER DE CLASSE 1
PRODUCTO LÁSER DE CLASE 1

CAUTION
INVISIBLE LASER RADIATION
WHEN OPEN AND INTERLOCKS
DEFEATED.
AVOID EXPOSURE TO BEAM.



This product contains a low power laser device.

Follow the advice below for safe operations.

ON PROTECTION AGAINST LASER ENERGY EXPOSURE

- As the laser beam used in this compact disc player is harmful to the eyes, do not attempt to disassemble the casing.
- Stop operation immediately if any liquid or solid object should fall into the cabinet.
- Do not touch the lens or poke at it. If you do, you may damage the lens and the player may not operate properly.
- Do not put anything in the safety slot. If you do, the laser diode will be "ON" when the CD door is still open.
- This unit employs a laser. The use of controls or adjustment or performance of procedures other than those specified here may result in exposure to hazardous radiation.

ON PLACEMENT

- Do not use the unit in places which are extremely hot, cold, dusty or humid.
- Place the unit on a flat and even surface.
- Do not restrict the air-flow of the unit by placing it in a place with poor ventilation, by covering it with a cloth or by placing it on a carpet.

ON SAFETY

- When connecting and disconnecting the AC power, grip the AC cord plastic plug and not the cord itself. Pulling the cord may damage it and create hazard.
- When you are not going to use the unit for a long period of time, disconnect the AC power cord from the wall outlet and remove all batteries.

ON AC VOLTAGE

- Before use, check that the rated voltage of your unit matches your local voltage.

ON CONDENSATION

- When left in a heated room where it is warm and damp, water droplets or condensation may form inside the unit.
- When there is condensation inside the unit, the unit may not function normally.
- Let it stand for 1 to 2 hours before turning the power on, or gradually heat the room up and dry the unit before use.

Should any trouble occur, disconnect the AC power cord and refer servicing to qualified personnel.

COMPLIANCE WITH FCC REGULATIONS

This device complies with Part 15 of the FCC Rules. Operation is subject to the following two conditions:

- (1) this device may not cause harmful interference, and
- (2) this device must accept any interference received, including interference that may cause undesired operation.

NOTE : This equipment has been tested and found to comply with the limits for a Class B digital device, pursuant to Part 15 of the FCC Rules. These limits are designed to provide reasonable protection against harmful interference in a residential installation. This equipment generates, uses and can radiate radio frequency energy and, if not installed and used in accordance with the instructions, may cause harmful interference to radio communications. However, there is no guarantee that interference will not occur in a particular installation. If this equipment does cause harmful interference to radio or television reception, which can be determined by turning the equipment off and on, the user is encouraged to try to correct the interference by one or more of the following measures:

- Reorient or relocate the receiving antenna.
- Increase the separation between the equipment and receiver.
- Connect the equipment into an outlet on a circuit different from that to which the receiver is connected.
- Consult the dealer or an experienced radio/TV technician for help.

FCC Radiation Exposure Statement:

This equipment complies with FCC radiation exposure limits set forth for an uncontrolled environment. This equipment should be installed and operated with minimum distance 20 cm between the radiator & your body.

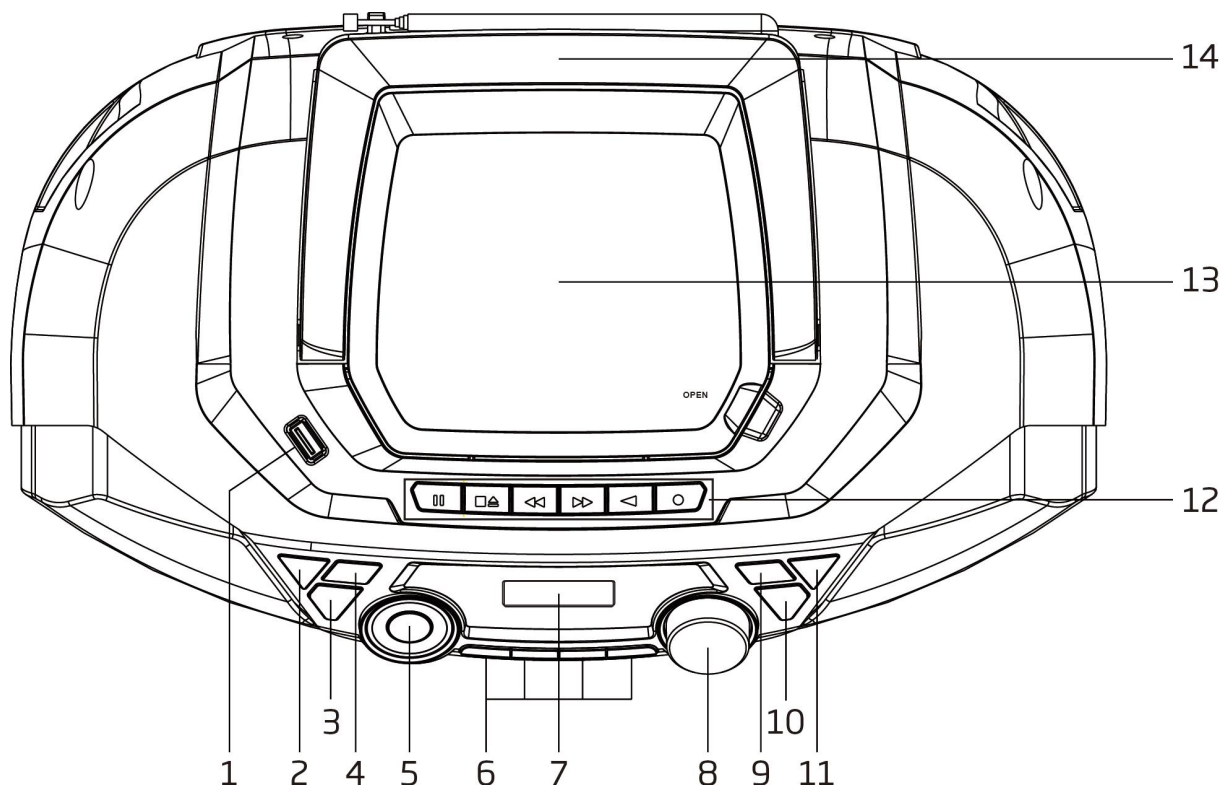
CAUTION: Changes or modifications not expressly approved by the party responsible for compliance could void the user's authority to operate the equipment.

PROTECT YOUR FURNITURE!!

This system is equipped with non-skid rubber 'feet' to prevent the product from moving when you operate the controls. These 'feet' are made from non-migrating rubber material specially formulated to avoid leaving any marks or stains on your furniture. However certain types of oil based furniture polishes, wood preservatives, or cleaning sprays may cause the rubber 'feet' to soften, and leave marks or a rubber residue on the furniture.

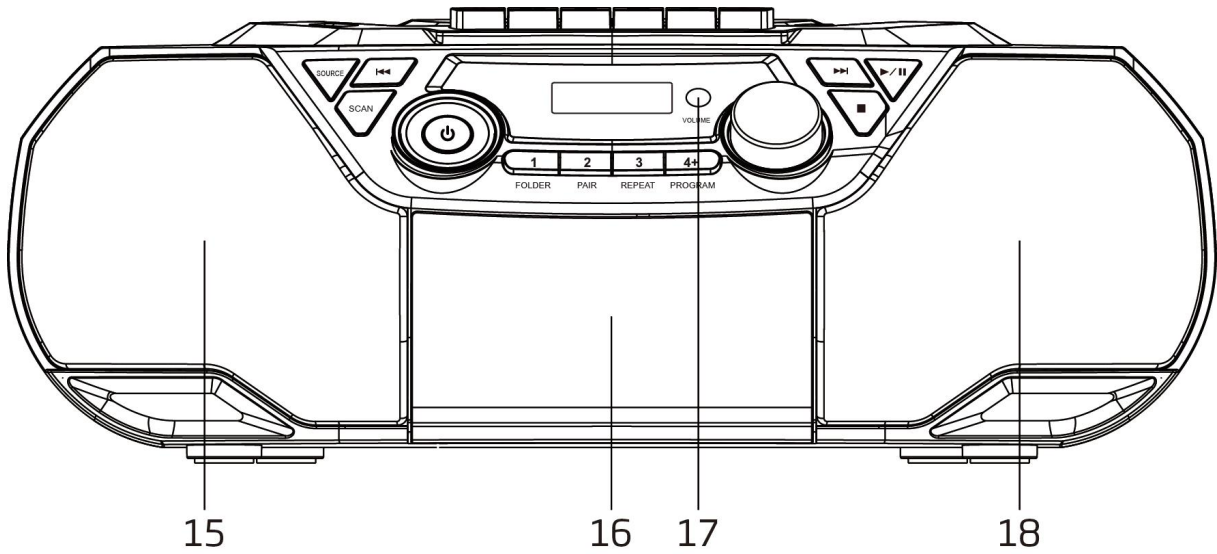
To prevent any damage to your furniture we strongly recommend that you purchase small self- adhesive felt pads, available at hardware stores and home improvement centers everywhere, and apply these pads to the bottom of the rubber 'feet' before you place the product on fine wooden furniture.

BASIC OPERATIONS



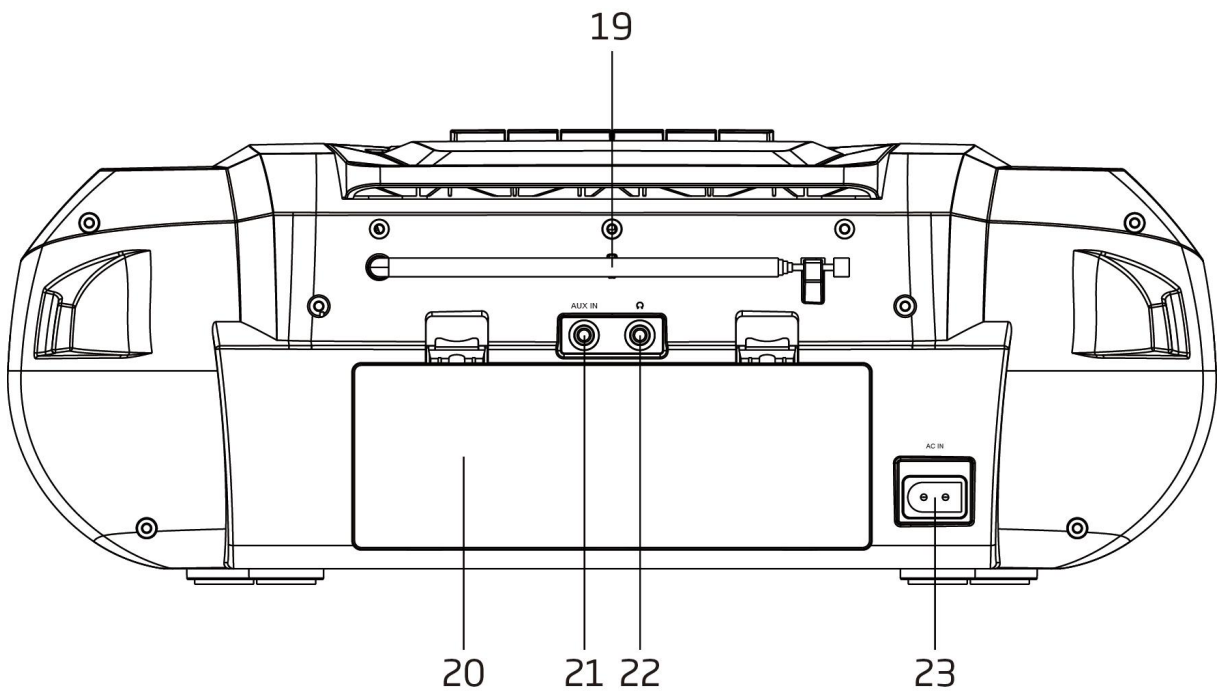
1. USB INPUT
2. SOURCE
Press this key to choose different modes: FM / CD / USB / BLUETOOTH / CASSETTE TAPE / AUX IN.
3. SCAN
FM: Press and hold to start auto-scanning all the available FM stations.
4. PREVIOUS ◀◀
FM: Short press to tune to a different frequency. Press and hold to scan the previous available station.
CD / USB / BT: Press to search to the previous track.
5. STANDBY ⏻
Press to turn on the unit. Press again to turn off and go to Standby mode.
6. RADIO STATION NUMERIC BUTTONS
FM: Press these buttons will recall the stored radio station directly. Press and hold to save the radio station.
CD / USB: Press the REPEAT button to change to different repeat playback operation. Press the PROGRAM button to setup the program playback operation. Press the FOLDER button to change the folder (only for MP3).
BT: Press and hold the PAIR button will disconnect the current connection and start to search another new Bluetooth device.
7. DISPLAY
Display the unit operation status and information.
8. VOLUME
Adjust the main volume.
9. NEXT ▶▶
FM: Short press to tune to a different frequency. Press and hold to scan the next available station.
CD / USB / BT: Press to search to the next track.
10. STOP ■
CD / USB: Press to stop the playback.
11. PLAY/PAUSE ▶/||
FM: Short press to toggle between stereo and mono audio.
CD / USB / BT: Press to toggle between pause and resume playback.
12. CASSETTE CONTROL BUTTONS (PAUSE / STOP/EJECT / FORWARD / REWIND / PLAY / RECORD)
13. CD DISC COMPARTMENT DOOR
14. CARRYING HANDLE

FRONT



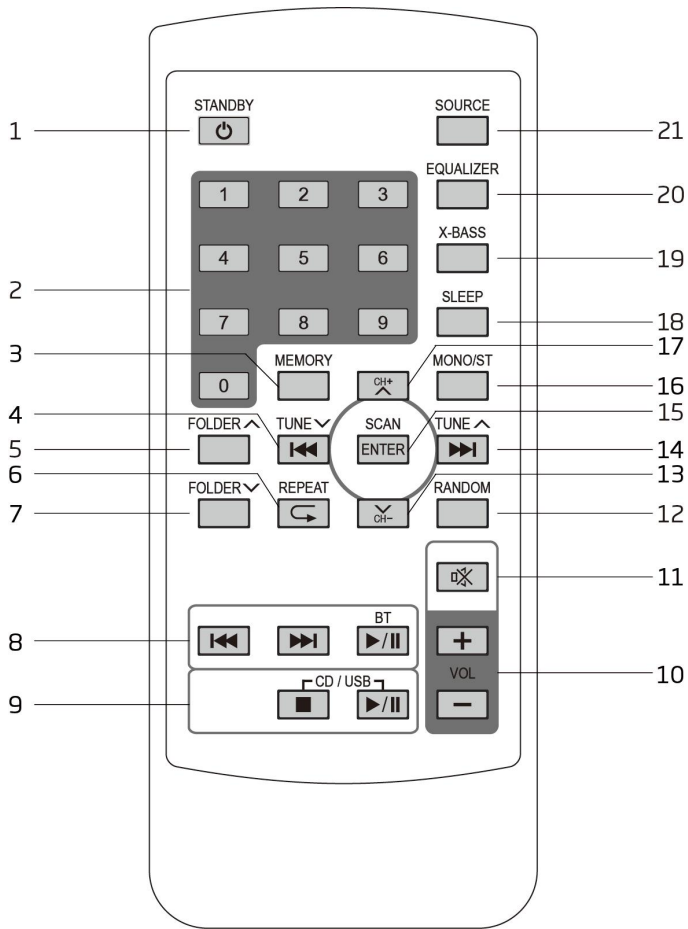
- 15. LEFT SPEAKER
- 16. CASSETTE TAPE COMPARTMENT DOOR
- 17. IR RECEPTION WINDOW
- 18. RIGHT SPEAKER

REAR



- 19. ANTENNA
The antenna should be extended to ensure a good FM reception
- 20. BATTERY COMPARTMENT DOOR
- 21. AUX IN
Connect to external audio player
- 22. HEADPHONE OUT
Connect to the external headphone
- 23. ~ AC IN
Connect the power cord to this jack

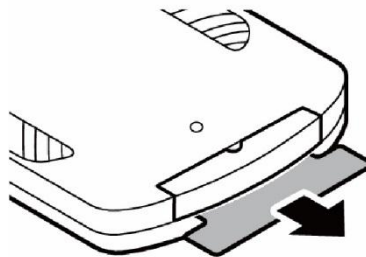
REMOTE CONTROL



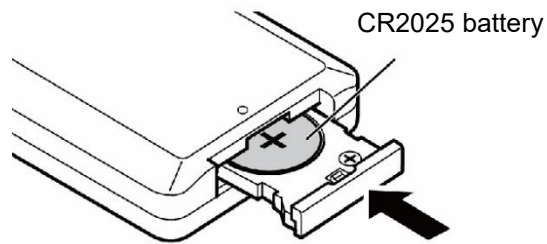
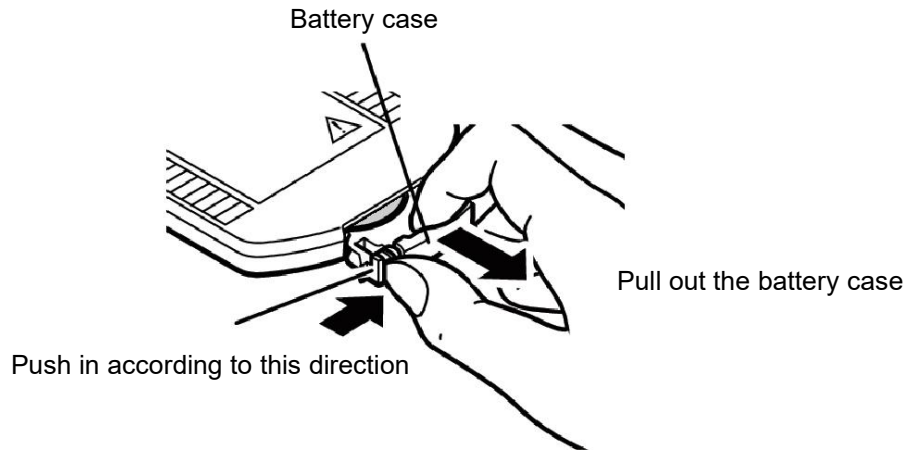
1. STANDBY
2. NUMERIC BUTTONS
3. MEMORY
4. PREVIOUS /TUNE
5. FOLDER
6. REPEAT
7. FOLDER
8. BT PREVIOUS
- BT NEXT
- BT PLAY/PAUSE
9. CD/USB STOP
- CD/USB PLAY/PAUSE
10. VOLUME +
- VOLUME -
11. MUTE
12. RANDOM
13. CH-
14. NEXT /TUNE
15. ENTER / SCAN
16. MONO/STEREO
17. CH+
18. SLEEP
19. X-BASS
20. EQUALIZER
21. SOURCE

Remote Control Operation


A CR2025 battery is already installed in the remote control unit. Before using, pull out the battery insulation sheet as shown below.

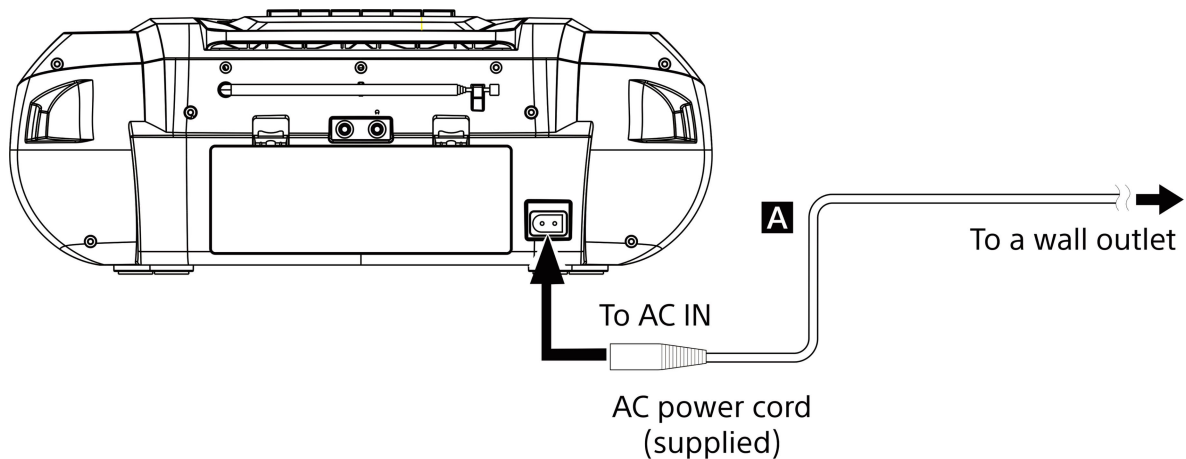


To replace a new battery, please refer to the figure shown below. When inserting a battery, be sure to do so in the proper direction.



AC POWER SUPPLY OPERATION

Connect the end of the detachable power cord to the unit rear panel ~ AC IN jack and the other end to the AC outlet. Press the STANDBY  button to turn on the unit.



BATTERY OPERATION



For DC operation, firstly remove the AC plug from the AC outlet and disconnect the AC cord from the ~ AC IN jack. Remove the battery compartment door at the rear of the unit. Install 6pcs UM-2 (LR14) C size batteries (NOT supplied) according to the polarity markings shown inside of the compartment. Install the battery compartment door.

Note:



- Since the unit draws a little power from the batteries in standby mode, remove the batteries if the unit is not going to be used for a long time.

BASIC OPERATION

AC Power Supply Operation

Press the STANDBY  button to turn on the unit. To turn off, press the STANDBY  button again.

Battery Operation

Since the unit is at power saving status when it is in battery standby mode, you can ONLY use the unit's STANDBY  button by press and hold it to turn on the unit. To turn off, press the STANDBY  button again.

FM / CD / USB / BLUETOOTH / CASSETTE TAPE / AUX IN

Press the SOURCE button to select between different sources.

Volume Control

Rotate the VOLUME knob to change the volume.

Adjusting the Antenna





The antenna at the rear panel of the unit should be fully extended to ensure a good FM reception. Alter the antenna position for the best reception.

FM RADIO OPERATION

Auto Scan

1. Turn on the unit in FM mode.
2. Press and hold the SCAN button to start auto-scanning and saving the available stations (max. 20 storage).

Manual Scan

1. Press the PREVIOUS  or NEXT  button repeatedly to tune to a different frequency.
2. Alternatively press and hold the PREVIOUS  or NEXT  button to automatically search to the next available station.

Storing FM Presets

You can save up to 20 FM stations.

To use the unit buttons to store the preset:

1. Tune to the station you wish to store.
2. To save it to the preset 1 or 2 or 3, press and hold the numeric button respectively. Then it will save to that preset number.
3. To save it to other preset channel from 4 to 20, press and hold the numeric button "4+". "NUMBER" will blink.

4. Press the **◀◀** or **▶▶** button to select the desired preset number to store.
5. Press the PROGRAM to store.

To use the remote control button to store the preset:

1. Tune to the station you wish to store.
2. Press and hold the MEMORY button, "NUMBER" will blink.
3. Press the CH- or CH+ button to select the desired preset number to store.
4. Press the MEMORY to store.

Recall Stored FM Presets

To use the unit buttons to recall the preset:

1. To recall the preset channel 1 or 2 or 3, press the numeric button respectively. Then it will tune to that preset channel.
2. To recall other preset channel from 4 to 20, press the numeric button "4+".
3. Press the **◀◀** or **▶▶** button to select the desired preset number to recall.
4. Wait till the station will start.

To use the remote control button to recall the preset:

1. Press preset number on keypad for the desired preset number to recall.
2. Press the ENTER button to store.

Stereo/Force Mono Selection

When receiving a Stereo FM radio station, press the PLAY/PAUSE **▶/||** button on the unit (or MONO/ST button on the remote control) will switch between stereo audio and force mono audio.

CD/USB OPERATION

Loading and Playing CD Disc

Open the CD door. Install a disc with the CD label side facing up. Close the CD door. Press the SOURCE button to CD mode. After reading, the total number of tracks will be shown on the display and it will automatically start to play.

Reading and Playing USB Device

Insert a USB device into the USB input jack. Press the SOURCE button to USB mode. After reading the total number of tracks will be shown on the display. It will automatically start to play.

Play/Pause Control

To pause playback press the PLAY/PAUSE **▶||** button. Press the button again to resume playback.

Stop Control

To stop playback press the STOP **■** button.

Skip Track

During playback press the PREVIOUS **◀◀** or NEXT **▶▶** button to skip to the previous or next track.

High-Speed Music Search

During playback press & hold the PREVIOUS **◀◀** or NEXT **▶▶** button to start high-speed searching.

When you release the PREVIOUS **◀◀** or NEXT **▶▶** button normal speed playback will resume.

Repeat Play / Random Play

CD Disc mode

During playback press the REPEAT button once, the display shows "REP.ONE". The current track will be played repeatedly.

When pressing the REPEAT button again, the display shows "REP.ALL". All tracks will be played repeatedly.

When pressing the REPEAT button again, the display shows "RANDOM". All tracks will be played in random sequence.

When pressing the REPEAT button again, the unit will resume to normal playback.

MP3 Disc or MP3 USB mode

During playback press the REPEAT button once, the display shows "REP.ONE". The current track will be played repeatedly.

When pressing the REPEAT button again, the display shows "REP.ALBUM". All tracks in the current folder will be played repeatedly.

When pressing the REPEAT button again, the display shows "REP.ALL". All tracks will be played repeatedly.

When pressing the REPEAT button again, the display shows "RANDOM". All tracks will be played in random sequence.

When pressing the REPEAT button again, the unit will resume to normal playback.

Programmed Playback

CD Disc mode

This unit can be programmed to play a sequence of tracks selected.

1. In stop mode press the PROGRAM button, the display shows the program number and the track number.
2. Press the PREVIOUS ◀◀ or NEXT ▶▶ button to select the desired track.
3. Press the PROGRAM button to save the desired track.
4. Repeat steps 2-3 to program up to 30 programmed tracks.
5. Press the PLAY/PAUSE ▶|| button to start playing the programmed tracks.
6. To clear the program play, press the STOP ■ button twice or change to another mode.
7. During program play you can also do the “Repeat One” or “Repeat All” operation, however and random play is not supported.

MP3 Disc or MP3 USB mode

1. In stop mode press the PROGRAM button, the display shows the program number and the folder number.
2. Press the FOLDER button (or the FOLDER ▲ / FOLDER ▼ button on the remote control) to select the desired folder.
3. Press the PROGRAM button to select the desired folder.
4. Press the PREVIOUS ◀◀ or NEXT ▶▶ button to select the desired track.
5. Press the PROGRAM button to save the desired track.
6. Repeat steps 2-5 to store up to 99 programmed tracks.
7. Press the PLAY/PAUSE ▶|| button to start playing the programmed tracks.
8. To clear the program play, press the STOP ■ button twice or change to another mode.
9. During program play you can also do the “Repeat One” or “Repeat All” operation, however and random play is not supported.

Note:

- The USB port is only for playback purpose, NOT for external device charging.
- Besides playing CDDA audio disc, the unit can also play MP3 files format in CD/MP3 operation. However, WMA file and others are not supported.
- If your USB device is loaded with MP3's but the display keeps showing “NO” on the display, the format of your USB device might not be compatible with the unit.
- The unit supports USB version 1.1 and 2.0.
- The unit supports USB devices with capacity up to 32GB.
- The unit may not be compatible with all USB devices, this is not a problem of the unit.
- For MP3 playback, a maximum of 255 folders with a maximum of 999 files is supported.
- Due to the USB file read/write mechanism, the first file written to the USB device will be played first and the last file written will be played last. (The unit will not sort alphabetically)

Folder Select (MP3 file only)

During MP3 playback press the FOLDER button (or the FOLDER ▲ / FOLDER ▼ button on the remote control) to change to the folder.

In stop mode press the FOLDER button (or the FOLDER ▲ / FOLDER ▼ button on the remote control) to change to the folder. Then press the PREVIOUS ◀◀ or NEXT ▶▶ button to select your desired track to play. Press the PLAY/PAUSE ▶|| button to start track playback.

BLUETOOTH

Please follow the pairing instructions below to link the unit to your Bluetooth device.

1. Press the SOURCE button repeatedly to enter the Bluetooth mode. The display will show “BT AUDIO”. It will start searching and will display a flashing “BT AUDIO”.
2. If the unit has never been paired with a Bluetooth device before or cannot find the last paired device, the display and the Bluetooth status indicator will keep on flashing. Turn on the Bluetooth function of your device and enable the search until “GEMINI GSBB-500” is found. Select “GEMINI GSBB-500” on the Bluetooth device to make connection. Enter the pass code “0000” if required.
3. After successfully paired the unit will display the steady “BT AUDIO”.
4. You can now start playing music from your smartphone wirelessly to the speaker.
5. You can press the PLAY/PAUSE ▶/|| button to pause or resume the playback.
6. You can press the PREVIOUS ◀◀ or NEXT ▶▶ button to search to the previous or next song.

Note:

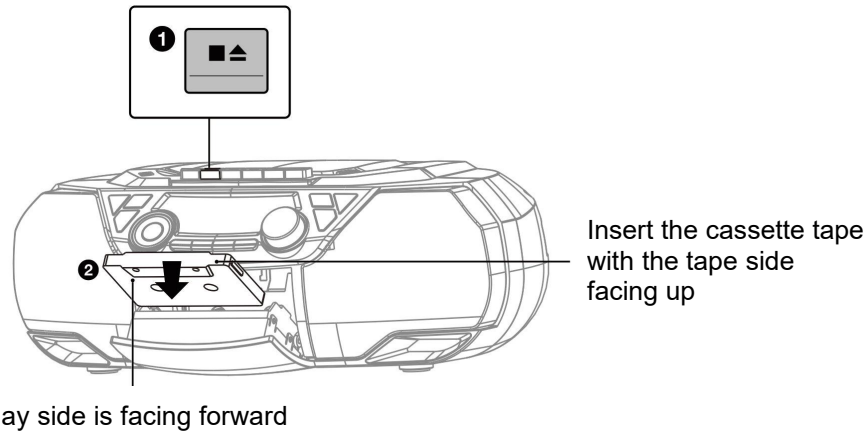
- Press and hold the PAIR button will disconnect the current connection and start to search another new Bluetooth device.

- This product has a bluetooth reception function, you cannot transmit any bluetooth sound with it (Bluetooth headset or earset don't receive signal of the GSBB-500): this means that you can receive wirelessly a bluetooth sound signal from an external source like a smartphone.

CASSETTE TAPE

Press the SOURCE button repeatedly to enter the Cassette tape mode. The display will show "TAPE". The cassette control buttons are location at the top front of the unit.

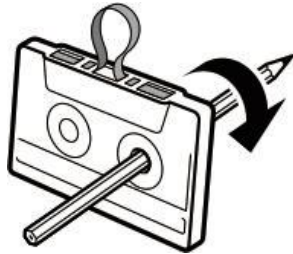
1. Press the CASSETTE STOP/EJECT button to open the cassette tape door.
2. Insert the cassette tape and close the door firmly.



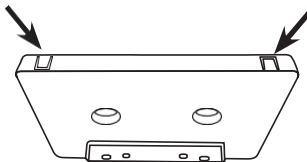
3. Press the CASSETTE PLAY button to playback.
4. Press the CASSETTE PAUSE button to pause the playback. To resume the playback, press the CASSETTE PAUSE button to release it.
5. To stop playback, press the CASSETTE STOP/EJECT button.
6. While it is in stop mode, press the CASSETTE FORWARD or REWIND button to forward or rewind the tape.
7. To open the cassette door during stop, press the CASSETTE STOP/EJECT button once.
8. To open the cassette door during playback, press the CASSETTE STOP/EJECT button twice.
9. To record, press the CASSETTE PLAY and RECORD button together.

Note:

- Only type 1 Normal cassette tape can be used for recording.
- If there is tape slack, rewind the slack using a pencil to avoid damaging the tape or the unit.



- On the back of the cassette are left and right tabs. This tab can be broken out. If this tab is broken out, it is no longer possible to record on that side of the cassette. When both tabs are removed, it is no longer possible to record to the cassette. The RECORD button then locks and cannot be pressed anymore.



AUX IN

This allows you to connect the sound from an external player through your unit.

1. Plug a 3.5mm audio cable (not included) into your external player line out and the other end into the AUX IN jack.
2. Press the SOURCE button to enter AUX mode. Display shows "AUDIO IN".
3. Start your external player to play music.
4. Increase the volume of the external player.
5. The unit plays the sound.

EQ OPERATION / X-BASS

You can enjoy different EQ sound effect modes. Press the EQUALIZER button on the remote control will change to different sound effects of FLAT / ROCK / CLASSIC / POP / VOCAL / JAZZ.

You can also boost the bass effect of the music. Press the X-BASS button on the remote control will toggle the X-Bass effect between ON and OFF.

Note:

- When X-Bass is enabled, the EQ sound effect will be disabled. Pressing EQUALIZER button will only show X-Bass On without any EQ effect. To resume the EQ sound effect, press the X-BASS button to turn off first. The EQ sound had to be set again.

SLEEP FUNCTION

1. When the unit is switched on, press the SLEEP button on the remote control repeatedly to select a sleep duration from either SLEEP OFF, 90, 80, 70, 60, 50, 40, 30, 20 or 10 minutes. When the sleep timer is set, the remaining timer will periodically be shown on the display.
2. When the sleep timer is zero, the unit will turn off automatically.
To cancel the sleep function, press the STANDBY button to turn off the unit. Or press the SLEEP button repeatedly to select "SLEEP OFF".

Trouble Shooting

No power

- Ensure that the mains cable is securely connected.
- Ensure that the unit is switched on.

The unit does not respond when pressing any buttons.

- Remove the batteries (when inserted) and remove the powercord for a minute. Then reinsert the batteries.

No sound output

- Turn up the volume.

I can't find the Bluetooth name of this unit on my Bluetooth device for Bluetooth pairing

- Ensure that the unit is switched on.
- Ensure that the Bluetooth function is activated on your Bluetooth device.
- The unit has a Bluetooth function that can receive a signal within 10 metres.

Disc in place but the unit won't play

- Ensure that the disc label is facing up.
- Ensure that the disc is clean.
- PAUSE mode may be activated, deactivate it.
- Disc may be damaged or dirty; check and clean the disc. If the disc is damaged, replace another undamaged one.

FM reception

- Ensure the antenna wire is fully extended.
- Electrical interference in your home can cause poor reception. Move the unit away from them (especially those with motors and transformers).

The unit switches off automatically during play

- Increase the volume level of your connected sound source (DVD player/TV etc.)

Sound interference coming from wireless devices in Speakers

- Move any wireless devices (mobile phone, bluetooth device etc.) away from the unit.

TECHNICAL SPECIFICATIONS

FM radio frequency range	87.5-108 MHz
Bluetooth frequency range	2.402-2.480 GHz
Bluetooth transmission power	4 dBm
AC power input	120V~ 60Hz 25W
Batteries operation	6 x 1.5V "C" (UM-2), not supplied
Speaker output power	2 x 5 W
Bluetooth	V5.3
Aux in	3.5mm stereo jack
Headphone out	3.5mm stereo jack
Remote control battery	CR2025 x 1pcs
Unit dimension (L x D x H)	390 x 228 x 138 mm
Working Temperature	0-45°C
Total weight	2.1 kg

- The specification presents only as a reference. The value of weight and size are approximation.
- Our product is improved ceaselessly and the specification and function may be changed without prior notice.

Disclaimer

Updates to Firmware and/or hardware components are made regularly. Therefore some of the instruction, specifications and pictures in this documentation may differ slightly from your particular situation. All items described in this guide for illustration purposes only and may not apply to particular situation. No legal right or entitlements may be obtained from the description made in this manual.

FCC Caution: Any changes or modifications not expressly approved by the party responsible for compliance could void the user's authority to operate this equipment.

This device complies with Part 15 of the FCC Rules. Operation is subject to the following two conditions:

- (1) This device may not cause harmful interference, and
 - (2) this device must accept any interference received, including interference that may cause undesired operation.
- This equipment should be installed and operated with minimum distance 20cm between the radiator and your body.

NOTE:

This equipment has been tested and found to comply with the limits for a Class B digital device, pursuant to Part 15 of the FCC Rules.

These limits are designed to provide reasonable protection against harmful interference in a residential installation. This equipment generates, uses and can radiate radio frequency energy and, if not installed and used in accordance with the instructions, may cause harmful interference to radio communications.

However, there is no guarantee that interference will not occur in a particular installation. If this equipment does cause harmful interference to radio or television reception, which can be determined by turning the equipment off and on, the user is encouraged to try to correct the interference by one or more of the following measures:

- Reorient or relocate the receiving antenna.
- Increase the separation between the equipment and receiver.
- Connect the equipment into an outlet on a circuit different from that to which the receiver is connected.
- Consult the dealer or an experienced radio/TV technician for help.