

gemini[®]

Gigabeat Party System GLS-550/GLS-880



DEAR CUSTOMER:

Please carefully read and follow all instructions prior to using this unit. Retain this manual in a safe place for future reference.

Contents

Important safety instructions.....	3
Panel.....	4
Remote control	5
Bluetooth pair and connect	5
Twos (true wireless stereo) mode	5
Battery	6
Accessories	6
Specifications	6
Special precautions.....	7

CAUTION



WARNING: SHOCK HAZARD - DO NOT OPEN

AVIS: RISQUE DE CHOC ÉLECTRIQUE - NE PAS OUVRIR




The lightning flash with arrowhead symbol, within an equilateral triangle, is intended to alert the user to the presence of uninsulated "dangerous voltage" within the product's enclosure that may be of sufficient magnitude to constitute a risk of electric shock to persons.



The exclamation point within an equilateral triangle is intended to alert the user to the presence of important operating and maintenance (servicing) instructions in the literature accompanying the appliance.

Important Safety Instructions

- 1) Read these instructions.
 - 2) Keep these instructions.
 - 3) Heed all warnings.
 - 4) Follow all instructions.
 - 5) Do not use this apparatus near water.
 - 6) Clean only with dry cloth.
 - 7) Do not block any ventilation openings. Install in accordance with the manufacturer's instructions.
 - 8) Do not install near any heat sources such as radiators, heat registers, stoves, or other apparatus (including amplifiers) that produce heat.
 - 9) Do not defeat the safety purpose of the polarized or grounding-type plug. A polarized plug has two blades with one wider than the other. A grounding type plug has two blades and a third grounding prong. The wide blade or the third prong are provided for your safety. If the provided plug does not fit into your outlet, consult an electrician for replacement of the obsolete outlet.
 - 10) Protect the power cord from being walked on or pinched particularly at plugs, convenience receptacles, and the point where they exit from the apparatus.
 - 11) Only use attachments/accessories specified by the manufacturer.
 - 12) Use only with the cart, stand, tripod, bracket, or table specified by the manufacturer, or sold with the apparatus. When a cart is used, use caution when moving the cart/apparatus combination to avoid injury from tip-over.
- 
- 13) Unplug this apparatus during lightning storms or when unused for long periods of time.
 - 14) Refer all servicing to qualified service personnel. Servicing is required when the apparatus has been damaged in any way, such as power-supply cord or plug is damaged, liquid has been spilled or objects have fallen into the apparatus, the apparatus has been exposed to rain or moisture, does not operate normally, or has been dropped.

CAUTION

To prevent electric shock hazard, do not connect to mains power supply while grille is removed. minimum distances 10cm around the apparatus for sufficient ventilation; the ventilation should not be impeded by covering the ventilation openings with items, such as newspapers, table-cloths, curtains, etc. no naked flame sources, such as lighted candles, should be placed on the apparatus; attention should be drawn to the environmental aspects of battery disposal; the use of apparatus in moderate climates. the apparatus shall not be exposed to dripping or splashing and that no objects filled with liquids, such as vases, shall be placed on the apparatus. Where the MAINS plug or an appliance coupler is used as the disconnect device, the disconnect device shall remain readily operable. Batteries (battery pack or batteries installed) shall not be exposed to excessive heat such as sunshine, fire or the like. To reduce the risk of fire or electric shock, do not expose this apparatus to rain or moisture. Caution Marking and rating plate was located at rear enclosure of the apparatus.

CAUTION

Danger of explosion if battery is incorrectly replaced. Replace only with the same or equivalent type.

FCC warning:

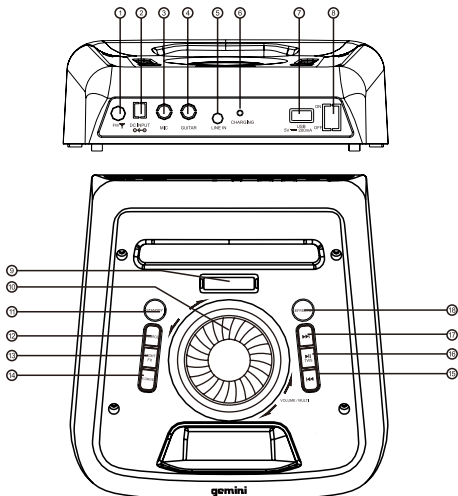
Any Changes or modifications not expressly approved by the party responsible for compliance could void the user's authority to operate the equipment.

Note: This equipment has been tested and found to comply with the limits for a Class B digital device, pursuant to part 15 of the FCC Rules. These limits are designed to provide reasonable protection against harmful interference in a residential installation. This equipment generates uses and can radiate radio frequency energy and, if not installed and used in accordance with the instructions, may cause harmful interference to radio communications. However, there is no guarantee that interference will not occur in a particular installation. If this equipment does cause harmful interference to radio or television reception, which can be determined by turning the equipment off and on, the user is encouraged to try to correct the interference by one or more of the following measures:

- Reorient or relocate the receiving antenna.
- Increase the separation between the equipment and receiver.
- Connect the equipment into an outlet on a circuit different from that to which the receiver is connected.
- Consult the dealer or an experienced radio/TV technician for help.

This equipment complies with FCC radiation exposure limits set forth for an uncontrolled environment.

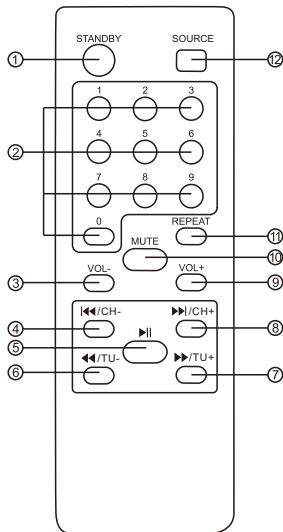
Panel



1. FM ANTENNA : FM input socket
2. DC INPUT : DC input socket
3. MIC : Wired microphone input socket
4. GUITAR : Guitar input socket
5. LINE IN : Line input socket
6. CHARGING LIGHT
7. USB : USB input socket
8. POWER SWITCH : Switch power between ON or OFF.
9. LED DISPLAY : Display speaker status.
10. VOLUME/MULTI : Increase or decrease speaker main volume.
11. STANDBY
12. SOURCE : Press to change the source between BT, LINE, FM, USB
13. LIGHT MODE : Press to change the light mode between LED1,LED2,LED3,LED4,OFF
14. X DRIVE : Press to X DRIVE mode on or off.
15. PREV : Press this key to go to the previous track in USB/BT mode. In FM mode press to tune to the previous channel.
16. PLAY/PAUSE/TWS : Press to play/pause a track. In FM mode press for the full automatic search. Press to TWS (true wireless stereo) mode on or off.
17. NEXT : Press this key to go to the next track in USB/BT mode. In FM mode press to tune to the next channel
18. EFFECTS:Press this key to change the menu between MIC/GUITAR VOLUME, ECHO VOLUME,BASS, TREBLE.
 Display "20 10" mean for MIC/GUITER VOL 10, Rotate VOLUME/MULTI knob to adjust 0-30.
 Display "E 10" mean for ECHO VOL 10, Rotate VOLUME/MULTI knob to adjust 0-30.
 Display "b 00" mean for BASS 00, Rotate VOLUME/MULTI knob to adjust ± 6 dB.
 Display "t 00" mean for TREBLE 00, Rotate VOLUME/MULTI knob to adjust ± 6 dB.

Remote Control

1. STANDBY : Standby ON/OFF .
2. 0-9 NUMERIC KEYS: These keys are used to play a track directly in USB source mode.
Eg: To play 12th track in the USB playlist press the numeric key "1" followed by "2".
3. VOL- : To decrease the volume.
4. ◀◀/CH- : Play the previous song by pressing "◀◀/CH-" in USB/BT input mode.
Choose previous channel by pressing "◀◀/CH-" in FM input mode.
5. ▶▶| : Play / pause in USB/BT mode. In FM mode press for full automatic search.
6. ◀◀/TU- : Fast rewind a song by pressing "◀◀/TU-" in USB input mode.
Choose tuning channel by pressing "◀◀/TU-" in FM input mode.
7. ▶▶/TU+ : Fast forward song by pressing "▶▶/TU+" in USB input mode.
Choose tuning channel by pressing "▶▶/TU+" in FM input mode.
8. ▶▶|/CH+ : Play the next song by pressing "▶▶|/CH+" in USB/BT input mode.
Choose next channel by pressing "▶▶|/CH+" in FM input mode.
9. VOL+ : To increase the volume.
10. MUTE : Press to switch mute ON/OFF.
11. REPEAT : Choose repeat mode by pressing repeat key in USB input mode.
12. SOURCE : Press to change the source between BT, LINE, FM, USB.



Bluetooth pair and connect

- Turn off any Bluetooth devices previously paired (linked) with this unit.
- Turn on the Bluetooth features on your phone or music player.
- Turn on and set this unit to Bluetooth mode. The flashing blue light BT on the LED display indicates it is in pairing mode.
- Set your phone or music player to search for Bluetooth devices.
- Select GEMINI GLS-550/GEMINI GLS-880 from search results on your phone or music player.
- Select OK or YES to pair this unit with your phone or music player.
- If protected, enter 0000 for pass key. A steady blue light indicates successful connection.

TWS (True Wireless Stereo) mode

1. Turn on 2 speakers and select both INPUT modes as Bluetooth
2. Press "▶▶|" key on speaker set for 2 seconds and "bL" will be displayed. When the display light is "bL" or a tone is heard from another device, the TWS is established.
3. Turn on the Bluetooth feature on your mobile phone to search for Bluetooth devices and select "GEMINI GLS-550/GEMINI GLS-880" from the search result. Select OK or YES to pair this unit with your mobile phone and a steady blue light will indicate a successful connection. Once connected you can play music from your mobile phone.
4. Press "▶▶|" key on the speaker unit for 2 seconds . Turn off the TWS features when "bF" is displayed.

Battery

In AC (power) mode the battery will automatically charge. A slow red flashing light indicates that the battery is charging. When fully charged a green light will be displayed.

In DC (battery) mode a green light indicates that the battery level is full. If the battery level is low a red light will be displayed. This indicates that the battery must immediately be charged or the speaker will turn off.

Accessories

Instruction Manual -----	1 pc
FM Antenna -----	1 pc
Remote control-----	1 pc
Microphone -----	1 pc

Specifications

Frequency Response -----	30Hz-20KHz
Power Source -----	100-240V~,50/60Hz
Power Consumption -----	80W(GLS-550)
Power Consumption -----	100W(GLS-880)

Due to continuous product development specifications and functions may be changed without prior notice.

Special precautions

