

⚠ CAUTION! – This product is not intended for medical use or use on humans

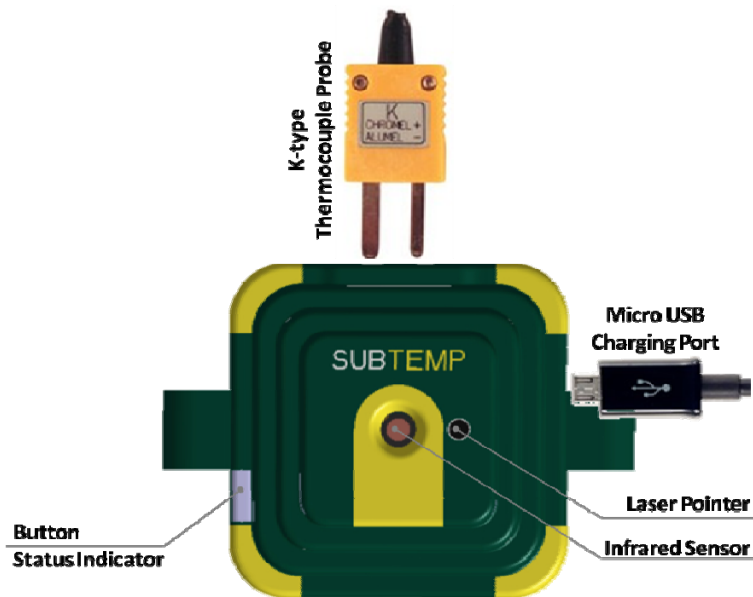
Description

The zippyYum SubTemp Model THB4001 is smart contactless thermometer featuring Bluetooth 4.0 Low Energy. SubTemp is primarily targeted to measure food surface temperature and can measure internal food temperature by attaching a K-type thermocouple insertion probe.

Subtemp is a battery operated device and can be recharged via the standard micro USB connector from any computer or 5V charger. A K-type thermocouple connector is used to connect the insertion probe.

The interface of the device is minimal as it includes an illuminated push button to provide ability to reset and give feedback about device status and a slide switch to turn ON and OFF

Features



- Contactless temperature measurement
- Laser pointer to indicate the measured location
- Accepts K-type thermocouples
- Rechargeable battery
- Interchangeable holders for iPhone 5, 6, 6+, and universal bracket for use on all other phone models

Specifications

Model: THB4001

Probe Temperature

Parameter	Conditions	Value
Measurement range		-10 – 120°C (14 – 250°F)
Resolution		0.25°C (0.25°F)
Accuracy at room temperature	Object temperature: -10– 120°C	±1°C (2°F)

Infrared Temperature

Parameter	Conditions	Value
Measurement range		-10 – 120°C (14 – 250°F)
Resolution		0.1°C (0.1°F)
Typical Measurement Distance		25–250mm(1–10’)
Distance to Spot		12:1
Accuracy at room temperature (25 °C)	Object temperature: 0 – 60°C	±0.5°C (1°F)
	Object temperature: < 0 °C or > 60°C	±1°C (2°F)

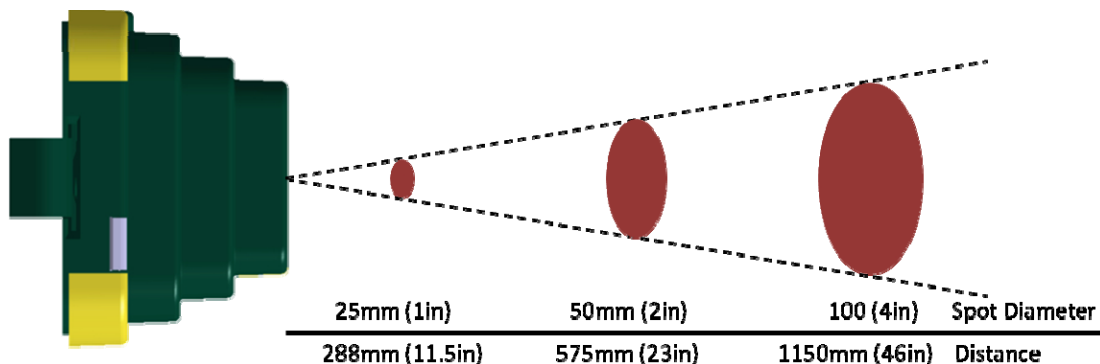
Battery: 300mAH Li-ion

Bluetooth Power: 0dBm

Distance to Spot

The ideal working range of subtemp is between 200 mm and 500 mm (8 and 20inches). The laser pointer helps to indicate the measurement spot. To ensure accurate measurements, the measurement target must fill or exceed the field of view.

Moving closer to the target produces more accurate measures



Reset

To reset subtemp, press and hold the button for 3 seconds. 5 orange blinks appear after the reset

LEDs

Subtemp is equipped with two LEDs to indicate the device's state. Please note that Amber color appears if both red and green LEDs are lit simultaneously.

Indicator reflects the device state and warns you if battery is getting low or there is not enough charge to power device. Green color indicates full battery, orange means there is enough charge to operate and red means battery is empty. Blinking light means the device is connected to a phone.

You can always check the battery percentage and charging state on the phone display.

Refer to the below table for detailed indicator stated

Battery Level	Connected?	Charging?	LED State
Not enough charge	NO	NO	OFF
Not enough charge	NO	YES	Orange solid
Not enough charge	YES	NO	Red blink
Not enough charge	YES	YES	Orange blink
Enough charge	NO	NO	OFF
Enough charge	NO	YES	Green solid
Enough charge	YES	NO	Green blink
Enough charge	YES	YES	Green blink

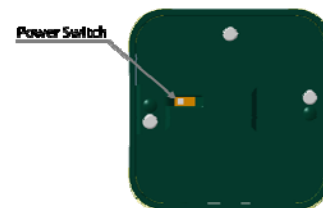
Power Switch

Power Switch located on the bottom of zippytemp is turned OFF to minimize battery drain. Use a small plastic pin to switch the power button ON before operation.

Five orange blinks appear at power up. Make sure the LEDs are working, otherwise, plug charger and expect flashing orange light.

Power button can be turned off if zippytemp is not used for long time, which will save battery and extend its life.

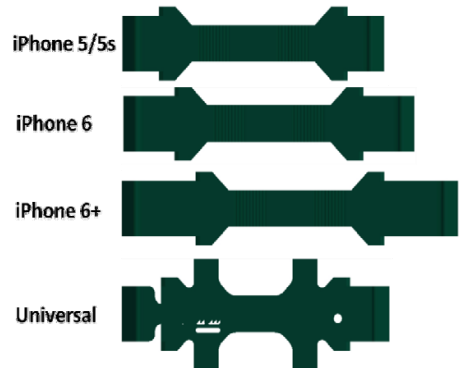
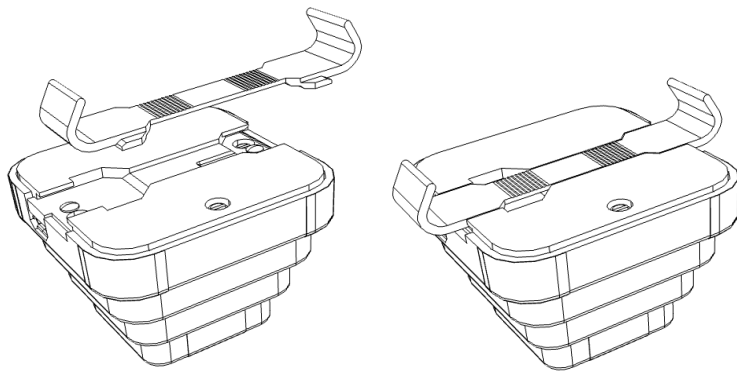
After placing the phone mounting bracket, the power switch will be hidden underneath it. You have to take the bracket off to be able to use the access the switch.



Mounting Brackets

Four mounting brackets are provided for iPhone 5/5s, iPhone 6, iPhone 6+ and adjustable bracket for use on all other phones.

After turning the switch ON, position the bracket and push it in the guiding grooves to snap in place. Push the bracket in opposite direction to remove.



FCC NOTE:

This device complies with Part 15 of the FCC Rules.

Operation is subject to the following two conditions: (1) this device may not cause harmful interference, and (2) this device must accept any interference received, including interference that may cause undesired operation.

THE MANUFACTURER IS NOT RESPONSIBLE FOR ANY RADIO OR TV INTERFERENCE CAUSED BY UNAUTHORIZED MODIFICATIONS OR CHANGE TO THIS EQUIPMENT. SUCH MODIFICATIONS OR CHANGE COULD VOID THE USER'S AUTHORITY TO OPERATE THE EQUIPMENT.